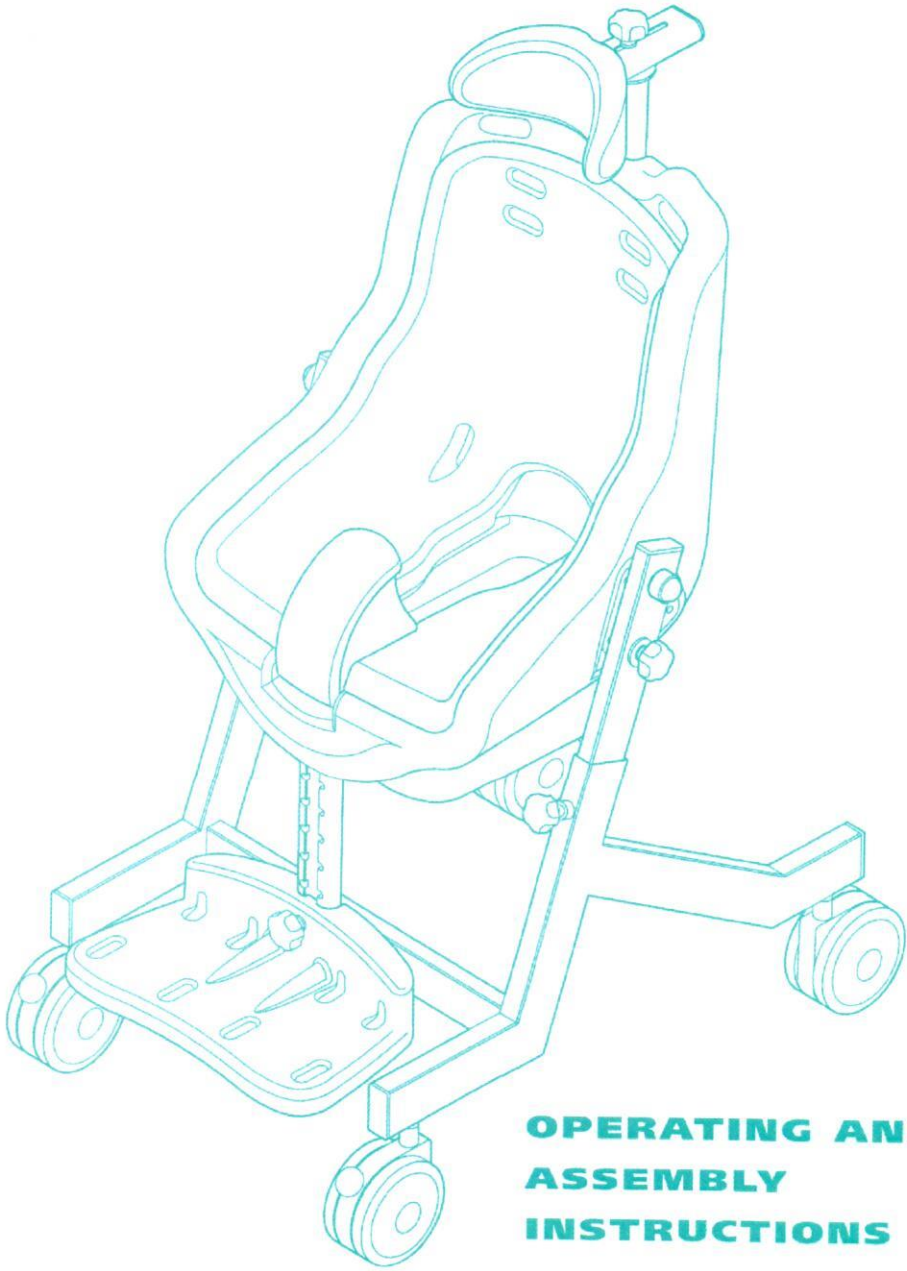




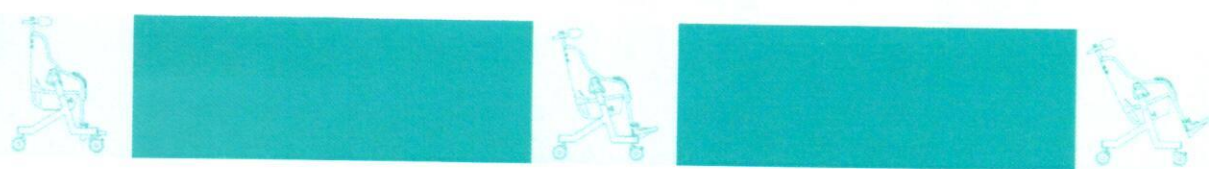
# SEAHORSE

sanichair

TOILET AND  
SHOWER CHAIR



**OPERATING AND  
ASSEMBLY  
INSTRUCTIONS**



# SEAHORSE

sanichair

## TOILET AND SHOWER CHAIR

### CONTENTS

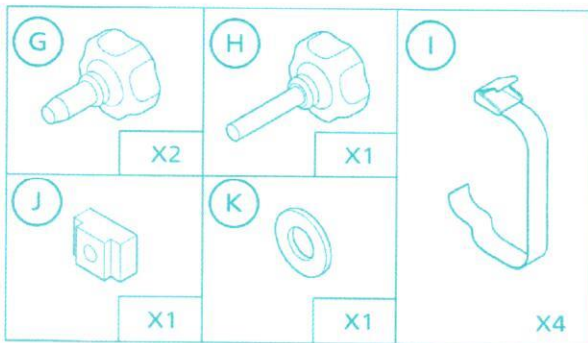
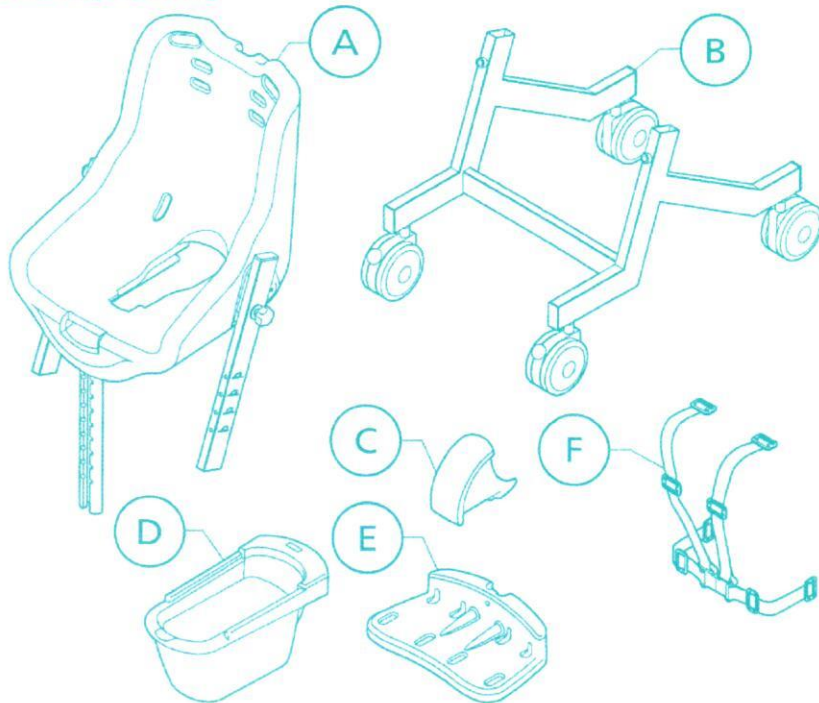
1	PACK CONTENTS	Page 2
2	INTRODUCTION	Page 3
3	ADJUSTING THE SEAT HEIGHT	Page 3
4	ASSEMBLING AND ADJUSTING THE FOOTREST	Page 4
5	FITTING THE POTTY	Page 4
6	FITTING THE POMMEL	page 5
7	FITTING THE LINER	Page 5
8	FITTING THE SEAT HARNESS	Page 5
9	ADJUSTING THE SEAT ANGLE	page 6
10	ASSEMBLING THE HEADREST	Page 7
11	CLEANING AND MAINTENANCE	Page 8
12	SAFETY PRECAUTIONS	Page 8
13	SAFETY STANDARDS	Page 8
14	PARTS LIST AND SEAT ASSEMBLY	Page 9-10

# 1 PACK CONTENTS

Your Seahorse pack should contain the following parts:

## MAIN COMPONENTS

- A Seat assembly
- B Frame
- C Pommel
- D Potty
- E Foot rest
- F 4 point harness

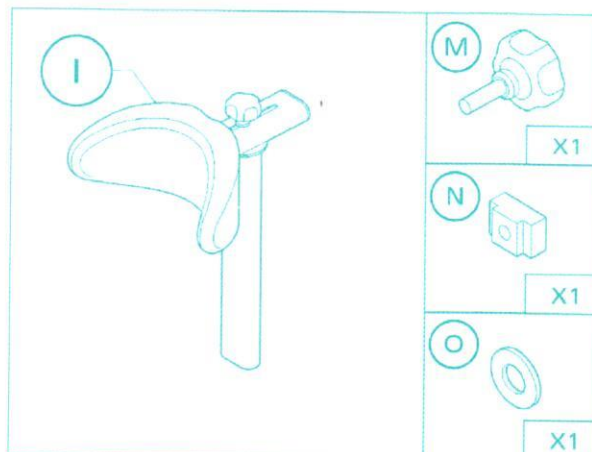


## SMALL COMPONENTS

- G Locking handwheels
- H Footrest handwheel
- I Foot and ankle strap
- J T-nut
- K Washer

If you have purchased the optional headrest your pack should contain the following components:

- L Headrest assembly
- M Headrest hand wheel
- N T - nut
- O Washer



## 2 INTRODUCTION

The Seahorse range consists of two separate seat and frame sizes. Within each size option it is possible to specify two sizes of soft liner, allowing you to tailor the product to your child's needs. As your child grows, the liner can be changed to increase the size of the seat without the need to re-invest in a completely new toileting and showering chair.

- The Seahorse range is intended for children from the age of 4 to 16.
- The maximum recommended body weight is 102 kg (16 st).
- The seahorse is suitable for use in temperatures from 0 Celcius to 60<sup>o</sup> Celcius.
- Please carefully follow these instructions to operate you Seahorse.

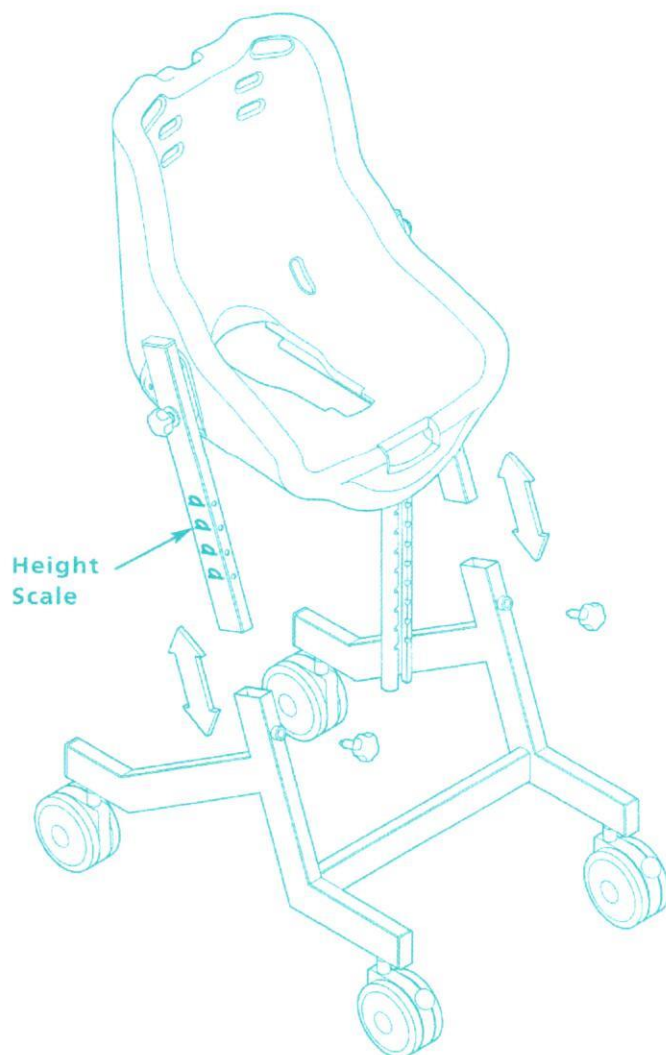
## 3 ADJUSTING THE SEAT HEIGHT

This operation gives you the opportunity to lock the seat at different heights. The product has not been designed for continual height adjustment.

For normal use we recommend the seat is set on the second hole from the top of the tube.

It is recommended that this operation is carried out by at least two people.

- Place the frame **(B)** on an even level surface and apply the brakes on the front castors.
- Support the seat and unscrew the locking hand wheels **(G)**
- Decide on the appropriate adjustment height using the scale on the leg side as a guide.
- Support the seat in the desired position ensuring that the locking holes align between the frame and adjustment legs.
- Firmly screw the locking hand wheels **(G)** into the frame to clamp the adjustment legs in position.



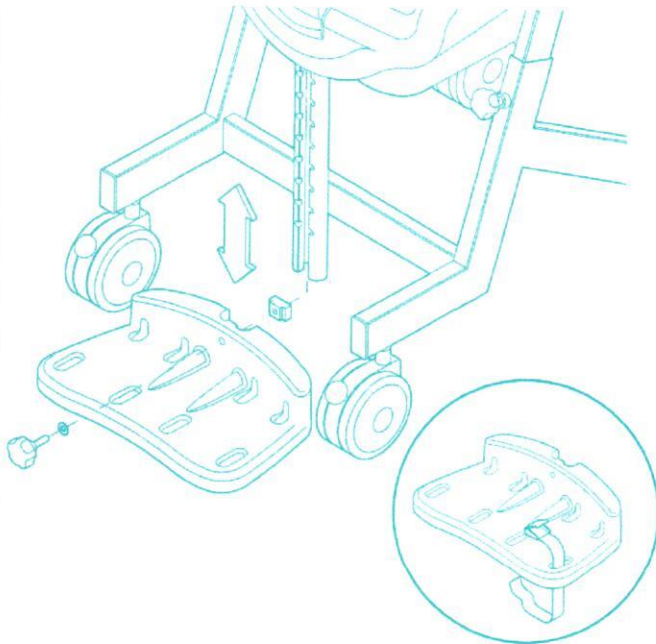
### SAFETY NOTE:

Ensure the seat is level.

Ensure that the locking handwheels are located through a hole in the adjustment leg.

## 4 ASSEMBLING AND ADJUSTING THE FOOTREST

- Place a washer (K) onto the footrest threaded hand wheel (H) and put the hand wheel screw through the open hole on the front of the footrest.
- Wind a T nut (J) onto the screw (ensure that it is in the correct orientation).
- Guide the T-nut into the footrest tube.
- Align the lozenge on the rear of the footrest at the desired height with a slotted feature on the footrest tube. Tighten the hand wheel to lock the footrest in position.
- Pass four-foot straps (I) through the holes provided in the footrest and retain with the buckle clamps.
- To adjust the footrest, support the footrest, loosen the hand wheel and adjust for height.



### SAFETY NOTE:

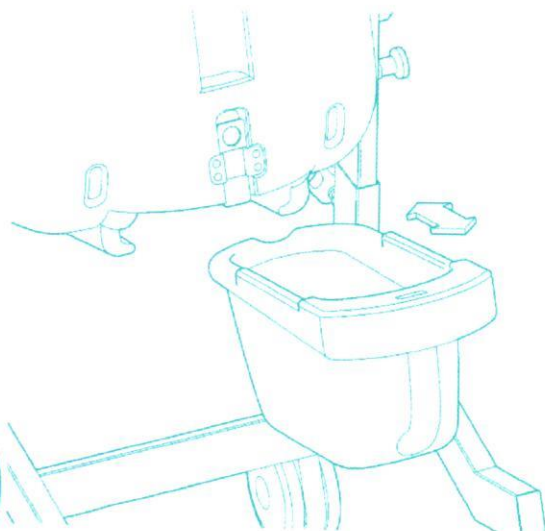
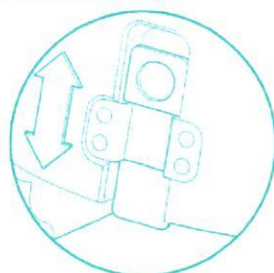
The footrest should never be used as an aid for mounting or dismounting the chair.

The footrest should never be positioned so that the footrest hangs below the footrest tube.

Always ensure the lozenge on the rear of the footrest is located into a slot on the footrest tube.

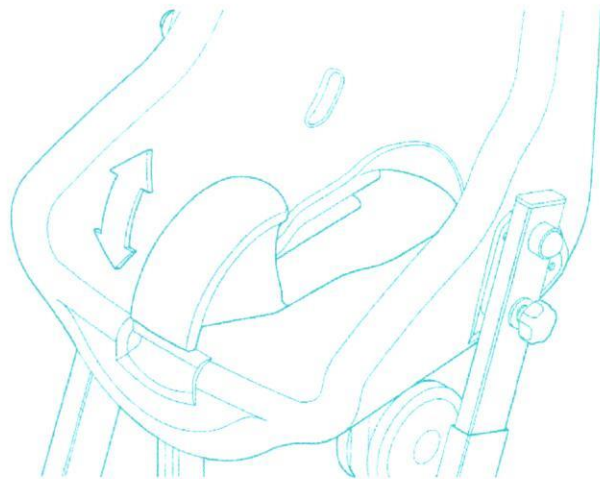
## 5 FITTING THE POTTY

- Align the potty (D) in the grooves on the seat underside and slide the potty into place. The locking mechanism should automatically lock in position.
- To remove the potty, hold the potty handle, lift the latch and slide the potty out from the seat.



## 6 FITTING THE POMMEL

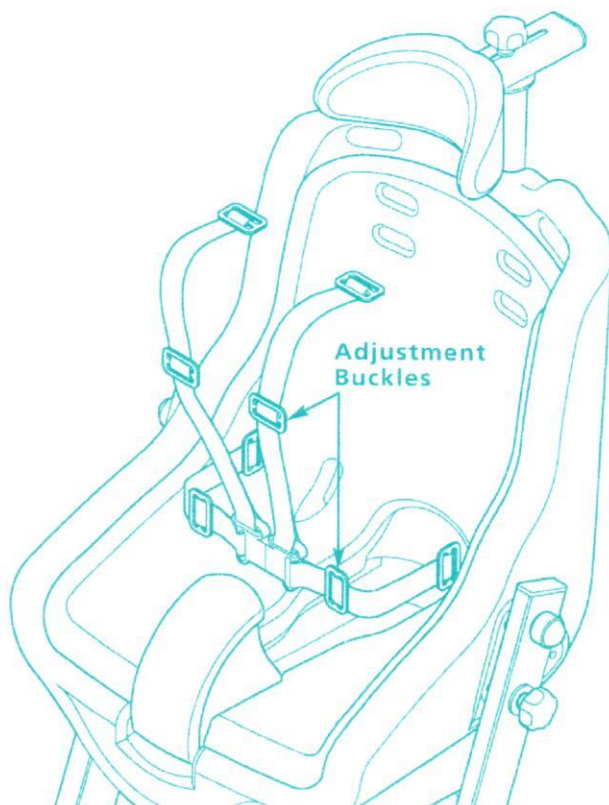
- Hook the rear flange at the back of the pommel **C** onto the front of the seat aperture.
- Hinge the pommel downwards so that the front flange of the pommel clips over the ridged detail on the front of the seat.
- To remove the pommel reverse this process, ensuring that you unclip the front flange of the pommel before attempting to unhook the rear flange from the seat.



## 7 FITTING THE LINER

- Lower the liner into the seat
- Ensure the flanges on the liner are located into the seat aperture.

5



## 8 FITTING THE SEAT HARNESS

- Position the harness **F** in the correct orientation in relation to the seat.
- Post the straps through the holes in the liner and seat. (Two height options are provided on the shoulder straps).

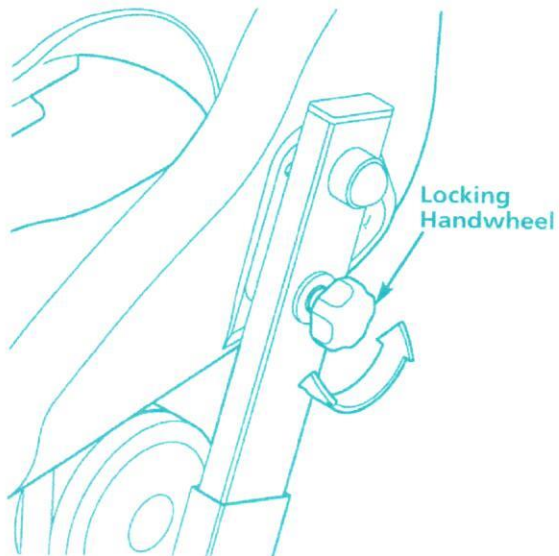
### SAFETY NOTE:

Firmly pull the straps back through the holes to ensure the buckles locate securely in the indentations on the back of the seat.

- The harness straps can be altered to fit the child by using the adjustment buckles indicated on the diagram.

## 9 ADJUSTING THE SEAT ANGLE

The Seahorse has been designed to provide angular adjustment of the seat allowing the Carer to orientate the child in a convenient position for showering and toileting.



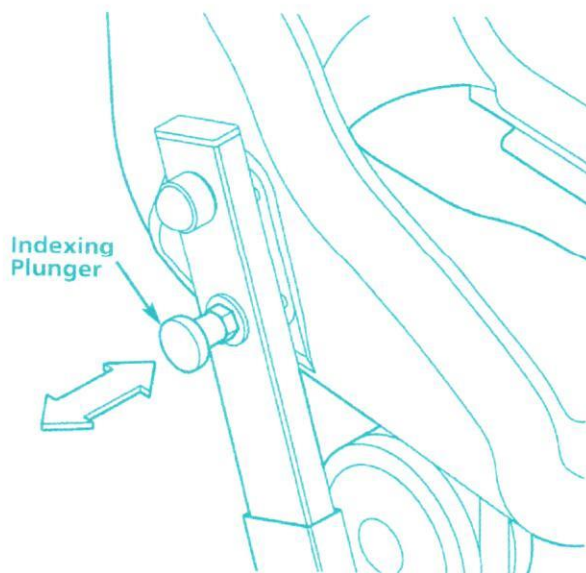
### UNLOCKING THE SEAT

- A locking hand wheel is located on the right adjustment leg of the Seahorse. This is a secondary safety device that prevents unwanted angling of the seat.

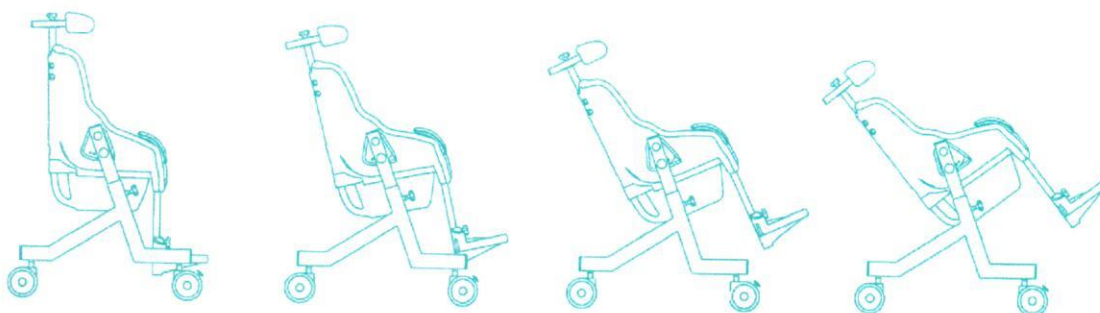
### SAFETY NOTE:

**At all times when the seat is in a fixed position the locking hand wheel should be firmly tightened so that it locates in the indexing holes on the side of the seat.**

**Always check the child's hands are clear of the pivoting mechanism prior to adjusting the seat angle.**



- Prior to adjusting the seat angle, the locking hand wheel should be loosened.
- Once the locking hand wheel is loosened, use one hand to firmly support the seat.
- Place the other hand on the indexing plunger and pull against the spring.
- The seat is now free to rotate to any of the designated angles.
- To lock the seat, release the plunger and allow it to spring into the required locating hole.
- Once adjustment is complete re-tighten the locking hand wheel prior to using the device.



## 10 ASSEMBLING THE HEADREST

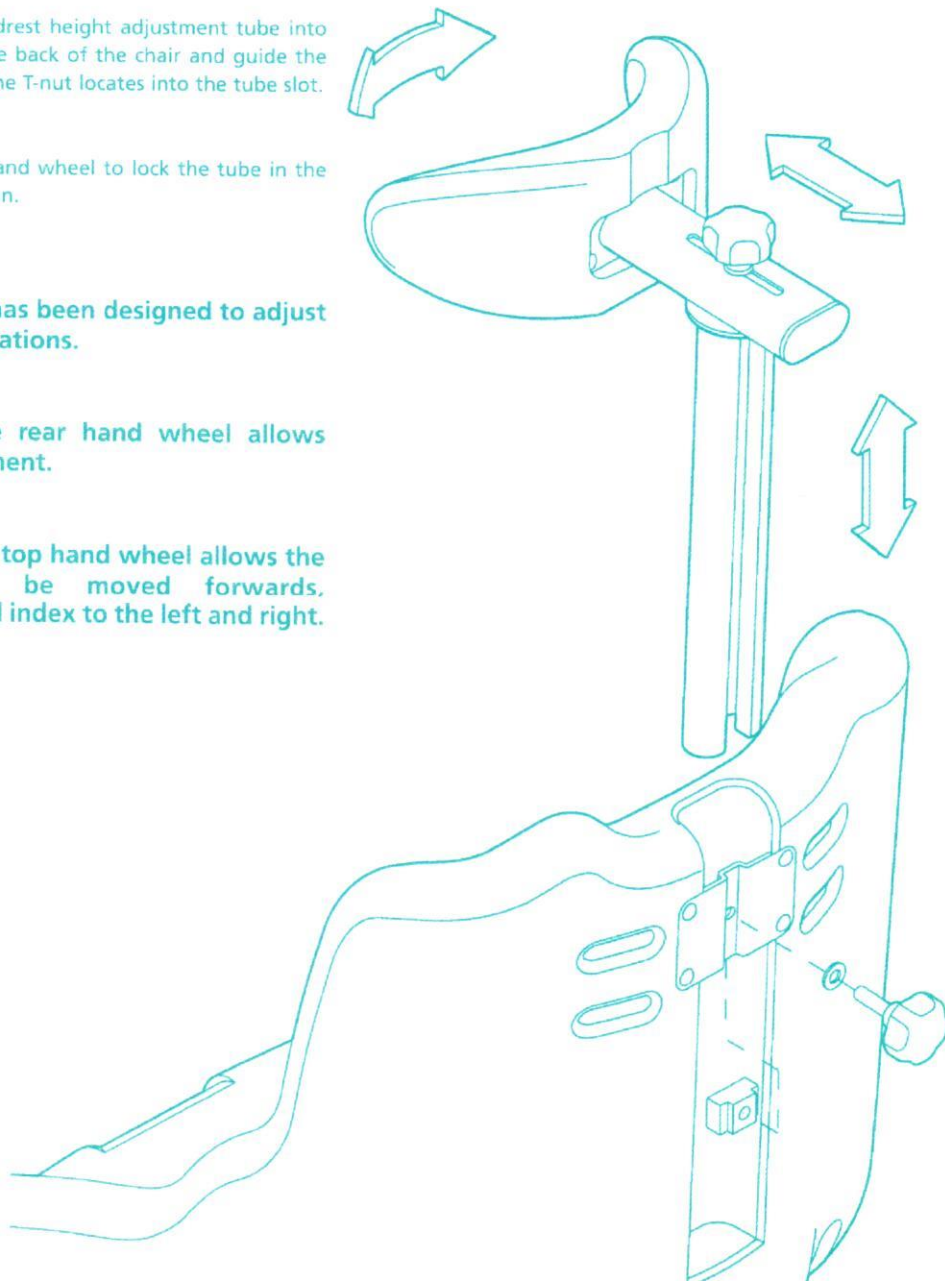
If you have purchased the optional headrest this can be assembled to the seat in the following manner:

- Place a washer (O) onto threaded hand wheel (M)
- Position a T nut (N) behind the adjustment plate on the back of the seat  
(ensure that it is in the correct orientation).
- Fit the hand wheel screw through the plate and loosely wind onto the T-nut.
- Place the headrest height adjustment tube into the slot on the back of the chair and guide the tube so that the T-nut locates into the tube slot.
- Tighten the hand wheel to lock the tube in the desired position.

The headrest has been designed to adjust in three orientations.

Loosening the rear hand wheel allows height adjustment.

Loosening the top hand wheel allows the headrest to be moved forwards, backwards and index to the left and right.





## 11 CLEANING AND MAINTENANCE

The Seahorse frame and plastic components can be cleaned using a domestic detergent. Avoid the use of abrasive cleaners and cloths, which will mark the paintwork.

The seat liners and headrest should be cleaned with a mild soap solution. Avoid the use of products containing chlorine, acetone, or benzene, which will degrade the components.

The 4-point harness and foot straps can be machine washed at 90° Celsius with a domestic washing powder.

The Seahorse has been designed using materials which are corrosive resistant and where required self lubricating.

Keeping the product clean, particularly where parts are moving, should be sufficient to keep your a Seahorse in good working order.

## 12 SAFETY PRECAUTIONS

- 1 Ensure all instructions have been read and understood prior to assembly and use of the product and are kept in a safe place for future reference.
- 2 Once the Seahorse has been pivoted to the desired angle ensure that the locking hand wheel on the side of the seat is firmly tightened before use.
- 3 Always check that the user's hands are clear of the pivoting mechanism prior to adjusting the seat angle.
- 4 Ensure that the footrest is never used as an aid to mount or dismount from the chair.
- 5 Always securely fasten the child into the chair using the harness provided.
- 6 It is recommended that a child should never be left unattended while using the Seahorse.
- 7 Under no circumstances exceed the safe working limit of 102 kgs.
- 8 Always apply the brakes once the chair is in the desired position.
- 9 Inspect your Seahorse on a regular basis (3 monthly intervals). Pay particular attention to the harness straps and pivoting mechanism. If you are in any doubt concerning the condition of the product, contact NRS customer services.

## 13 SAFETY STANDARDS AND EU DIRECTIVES

The Seahorse complies with the following standards and EC directives :

- Medical Devices Directive  
(C93 / 42 / EEC)
- Packaging and Packaging Waste Directive  
(94 / 62 / EC)
- BS 47 51 parts 7 and 8

## 14 PARTS LIST

The exploded drawing illustrates all the components that constitute a Sanichair Seahorse.

For ordering parts please identify the part number that you require and contact your supplier.

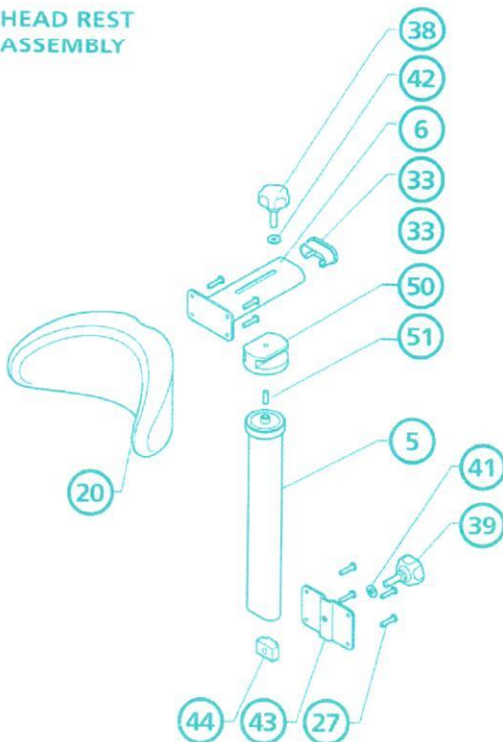
### FRAMEWORK

Part No	Description
1	Large frame
2	Small frame
3	Height adjustment tube RHS
4	Height adjustment tube LHS
5	Headrest vertical tube
6	Headrest horizontal tube
7	Footrest height adjustment tube large seat
8	Footrest height adjustment tube small seat

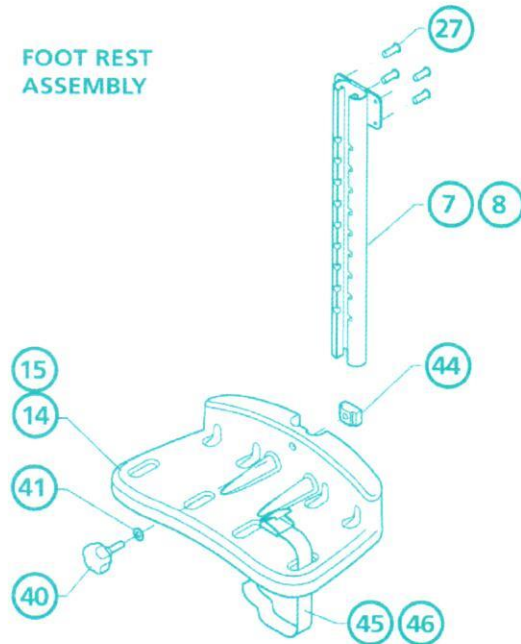
### MOULDED COMPONENTS

Part No	Description
9	Large seat
10	Small seat
11	Potty
12	Large pommel
13	Small pommel
14	Large footrest
15	Small footrest
16	Liner large seat thick
17	Liner large seat thin
18	Liner small seat thick
19	Liner small seat thin
20	Generic headrest

### HEAD REST ASSEMBLY



### FOOT REST ASSEMBLY



### COMPONENTS

Part No	Description
22	Large harness
23	Small harness
24	Angle adjustment plate RHS
25	Angle adjustment plate LHS
26	M16 nylon washer
27	M6 screw
28	Nylon bush
29	M16 nyloc nut
30	Nut cap
31	Small end plug
32	Large end plug
33	D shaped end plug
34	Braked castor
35	Castor
36	Locking hand wheel
37	Indexing plunger
38	Headrest horizontal hand wheel
39	Headrest vertical hand wheel
40	Footrest hand wheel
41	M8 washer
42	M6 washer
43	Headrest pressed plate
44	T nut
45	Large foot straps
46	Small foot straps
47	Potty clip
48	Grommet
49	Self-tapping screws.
50	Indexed boss
51	Compression spring
52	Tension spring
53	Self tapping screw

# 14 SEAT ASSEMBLY

