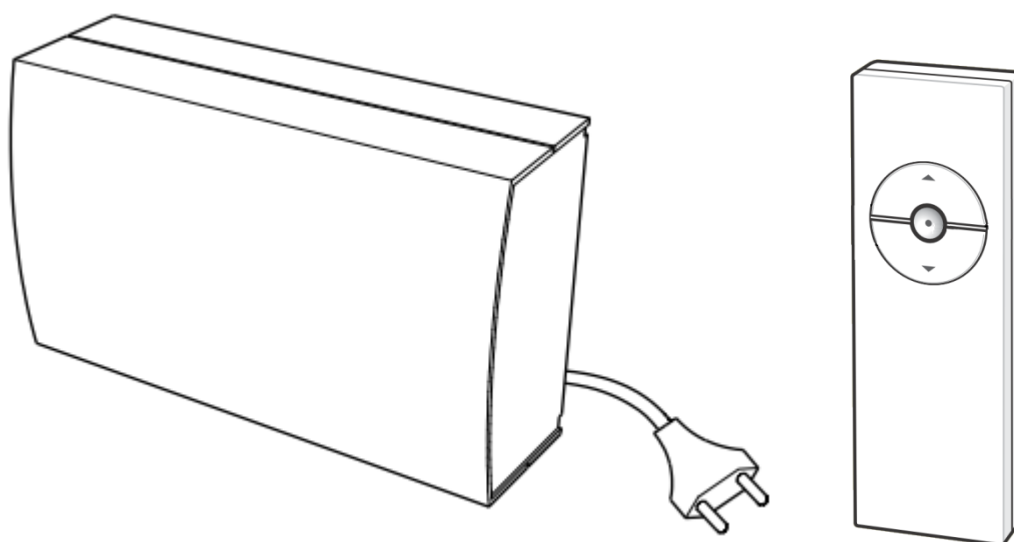


WIC 01M / WIR 100 / WIZ 01M

Installation instructions / Montageanleitung
Installationsvejledning / Instructions d'installation

UK / DE / DK / FR



DK	+45 4567 0300	info.dk@windowmaster.com
UK	+44 (0) 1536 510990	info@windowmaster.co.uk
DE	+49 (0) 52216940 -500 Vertrieb / -650 Technik	info@windowmaster.de
CH	+41 (0) 62 289 22 22	info@windowmaster.ch
Other markets	+45 4567 0300	info@windowmaster.com

English	4
Important information	4
Description.....	4
Mounting.....	5
Connections.....	5
WIR 100 Remote control	6
Registration of one WIC 01M.....	6
Registration of multiple unregistered WIC 01M in one remote control	6
Operation using multiple remote controls	7
KLR 100 Remote control	8
Setup using a new VELUX KLR 100 remote control.....	8
Registration of product using a KLR100 that is already in use.....	9
Set up of previously registered WIC 01M using the KLR 100	10
Retrofitting of sun screen products	11
Resetting	11
Deutsch	12
Wichtige Informationen	12
Beschreibung.....	12
Montage.....	13
Schalt diagramm.....	13
WIR 100 Fernbedienung.....	14
Registrierung einer WIC 01M.....	14
Registrierung von mehreren nicht registrierten WIC 01M bei einer Fernbedienung	14
Betrieb mit mehreren Fernbedienungen.....	15
KLR 100 Fernbedienung.....	16
Einstellung mit einer neuen VELUX KLR 100 Fernbedienung	16
Registrierung von Produkten bei einer KLR 100, die schon in Betrieb genommen wurde	17
Einstellung von bereits registrierten WIC 01M mit KLR 100	18
Nachrüstung von Sonnenschutzprodukten	19
Zurücksetzen	19
Dansk	19
Vigtig information	19
Beskrivelse	20
Montering.....	21
Forbindelsesdiagram	21
WIR 100 Fjernbetjening	22
Registrering af én WIC 01M.....	22
Registrering af flere uregistrerede WIC 01M i én fjernbetjening	22
Betjening med flere fjernbetjeninger.....	23
KLR 100 fjernbetjening	24
Opsætning med ny VELUX KLR 100 fjernbetjening	24
Registrering af produkt med KLR 100 der ER taget i brug.....	25
Opsætning af tidligere registreret WIC 01M med KLR 100	26
Eftermontering af solafskærmningsprodukter	27

Nulstilling	27
Français	28
Information importante	28
Description.....	28
Installation	29
Schéma de branchements électrique	29
Télécommande WIR 100	30
Enregistrement d'une WIC 01M	30
Enregistrement de plusieurs WIC 01M non-enregistrées dans une télécommande	30
Commande avec plusieurs télécommandes	31
Télécommande KLR 100	32
Installation avec la nouvelle télécommande KLR 100 VELUX	32
Enregistrement de produit avec la KLR 100 qui EST déjà utilisée	33
Configuration d'une WIC 01M enregistrée précédemment avec une KLR 100	34
Installation en seconde monte de dispositifs de protection solaire	35
Remise à zéro	35
Declaration of conformity Konformitätserklärung Overensstemmelseserklæring	36

English

Important information

- Only genuine 24 VDC WindowMaster actuators with MotorLink™ can be connected, see product sheet.
- The WIC 01M must not be covered (maximum casing temperature 50°C).
- WIC 01M is a class 2 product.
- For indoor use only.
- Before commencing any maintenance/service disconnect from mains supply.
- The package can be disposed together with ordinary household waste.
- It is recommended that the WIC 01M is not placed in dusty surroundings.
- It is recommended to place a remote control in the room where the window and controller is placed.
- In case of technical problems, please contact WindowMaster, see telephone list.
- Only connect io-homecontrol® compatible products to the sun screen terminals.
- RF-band: 868MHz.
- RF reach: 300m in free field. Indoor the reach is limited to approximately 30m.

Important information regarding remote controls

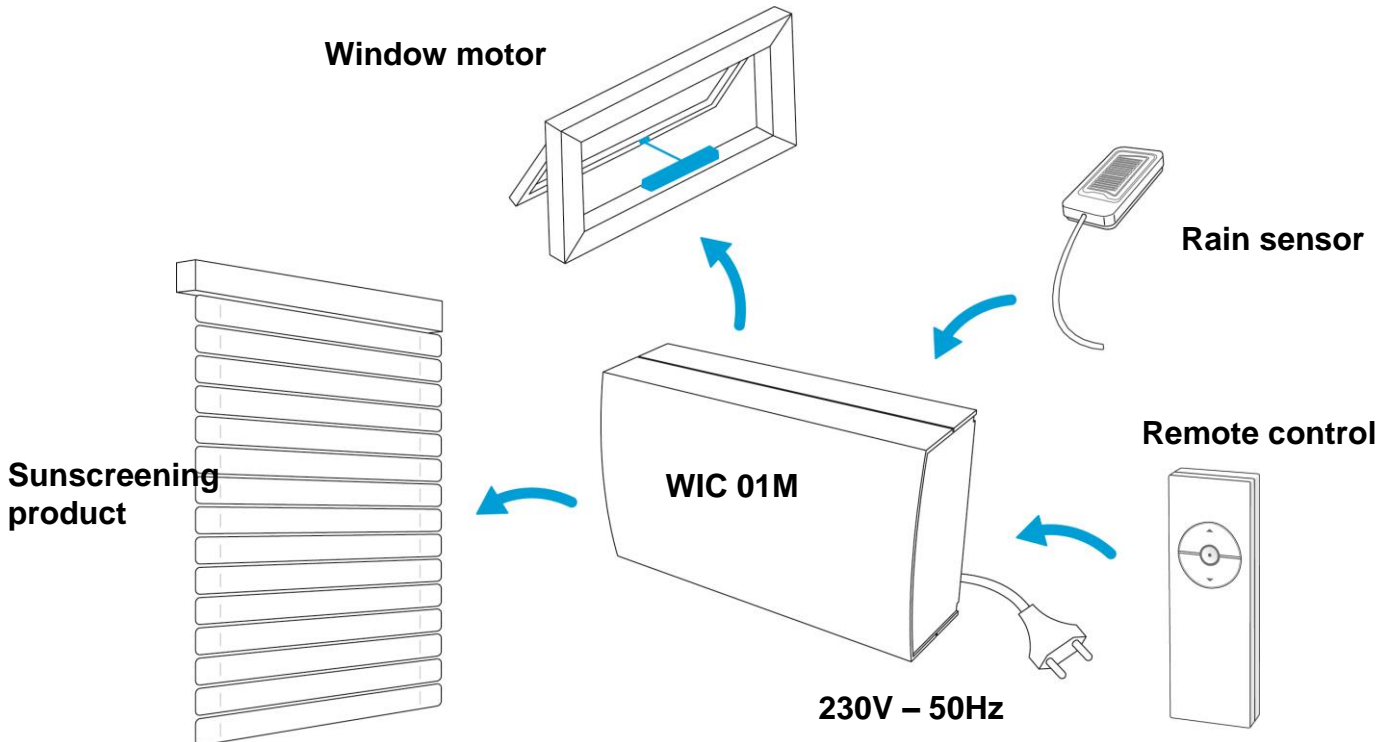
It is recommended always to acquire at least one two-way remote control. This is to enable the full functionality and flexibility of your io-homecontrol® products.

Description

WIC 01M is a control-unit that is used for controlling 24 VDC window openers with MotorLink™ and various io-homecontrol® sun screen products, with a total simultaneous current consumption of max 1A. WIC 01M has one set of terminals for the connection of actuator cable (0V, 24V and communication) and two powerlink terminals for the connection of various types of io-homecontrol® sunscreening products from VELUX or VELFAC. In addition it is possible to connect a rain sensor.

Both the WIC 01M and the supplied remote control, the WIR 100 carries the io-homecontrol® label. That is, they are both compatible with other io-homecontrol® products.

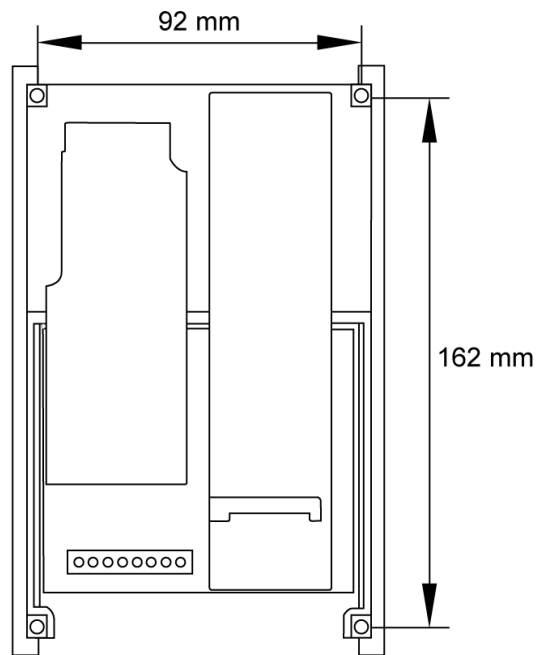
To achieve two-way communication and additional functionality, the io-homecontrol® compatible remote control VELUX KLR 100 can be used. The preliminary setup with this in connection with WIC 01M is described in this manual.



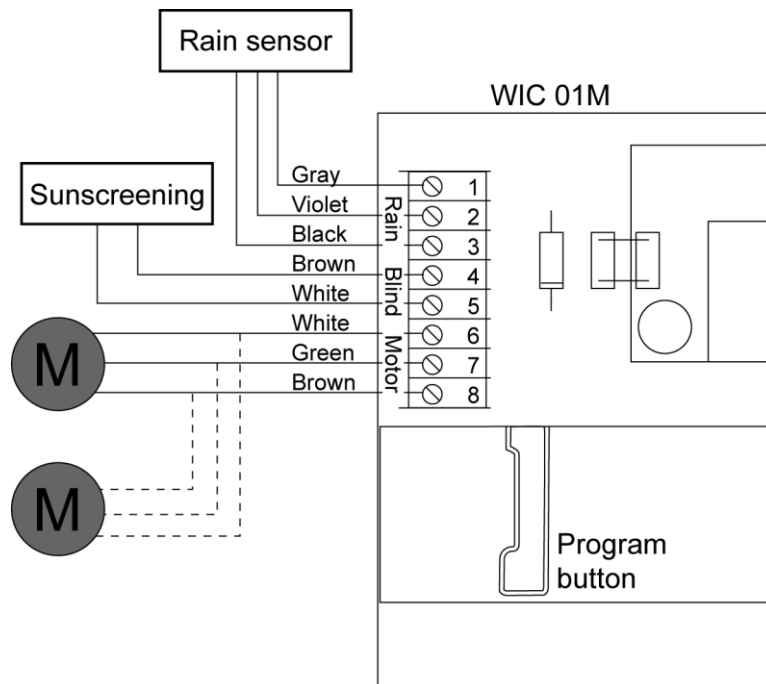
io-homecontrol® provides advanced and secure radio technology that is easy to install. io-homecontrol® labelled products communicate with each other, improving comfort, security and energy savings.

www.io-homecontrol.com

Mounting



Connections



NB: Do not connect WIC 01M to mains supply until you are ready to setup via remote control.

WIR 100 Remote control

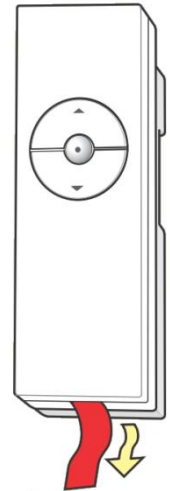
The supplied remote control, the WIR 100, is a one-way remote control that can be configured to operate one single product or several products simultaneously. WIR 100 is an io-homecontrol® product i.e., it is compliant with other io-homecontrol® products.

When only one-way remote controls are used it is strongly recommended that only ONE product is connected to the WIC 01M. This can be a window opener or a sun screen product, e.g. a venetian blind or a roller shutter.

Registration of one WIC 01M

The setup of one WIC 01M is described here.

1. Connect WIC 01M to mains supply (UK version has a UK plug).
 - WIC 01M is now in the registration state. The remaining steps must be completed within 10 minutes.
2. Pull out the strip from the bottom of the remote control.
3. Use a pointed object to press the reset-button for 1 second.



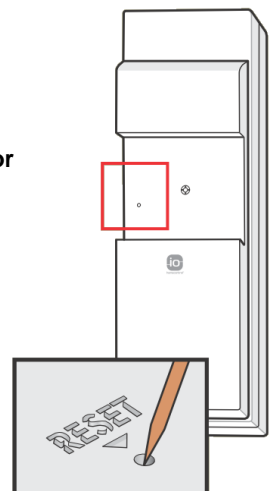
At this point the WIC 01M is registered and can be operated by the remote control. If the ten minutes window system has to be reset in order to be reconfigured. Disconnect and reconnect the mains supply to the WIC 01M in order to do this.

Registration of multiple unregistered WIC 01M in one remote control

The setup of multiple WIC 01M for operation by one remote control is described here.

NB: All WIC 01M must be connected to the same type of product, e.g. window openers or blinds.

1. Connect all WIC 01M to mains supply (UK version has a UK plug).
 - Every WIC 01M are now in registration state. The subsequent steps must be completed within 10 minutes.
2. Pull out the strip from the bottom of the remote control if this is not already done.
3. Use a pointed object to press the reset-button on the rear side of the remote control for 1 second.

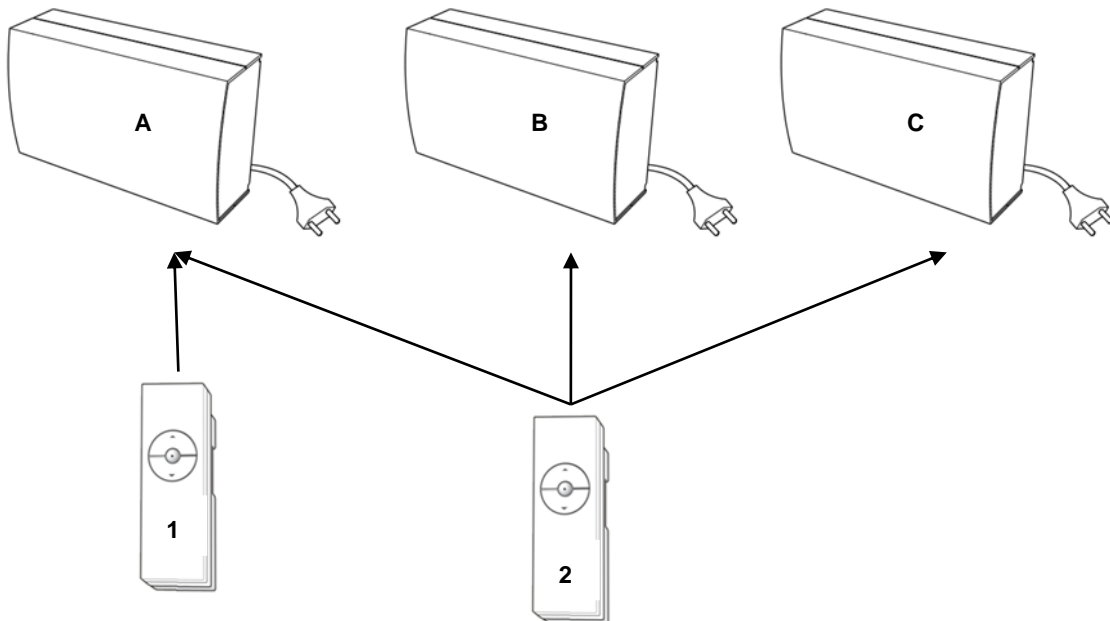


Now it is possible to operate all of the windows or sun screen products attached to a WIC 01M simultaneously from one remote control.

Operation using multiple remote controls

Each WIR 100 remote control can be configured to operate any number of WIC 01M. And multiple WIR 100 remote controls can be configured to operate the same product(s).

On the figure below a system consisting of two WIR 100 and three WIC 01M is shown. One remote control is configured to operate all the WIC 01M while the other remote control only operates one WIC 01M.



In this setup remote control 2 operates all three WIC 01M simultaneously. Remote control 1 is configured to control WIC 01M A only. The procedure to achieve this configuration is described below.

1. Connect WIC 01M **A** to mains supply. (**NB: Do only connect voltage to this one WIC 01M at this point!**)
 - WIC 01M **A** is now in registration state for 10 minutes or until it is registered.
2. Press the reset-button shortly on remote control no. 1.
 - Now WIC 01M **A** is operable by remote control no. 1.
3. Keep down the reset-button of remote control 1 for approximately 10 seconds.
 - Now WIC 01M **A** is ready to be registered by additional remote controls.
4. Connect WIC 01M **B** and **C** to mains supply.
 - Now these two units are ready for registration.
5. Press the Reset-button on remote control no. 2 for 1 second.

Now the registration is completed and the configuration illustrated is completed.


If a two-way VELUX KLR 100 remote control is present it is recommended that all products are registered in this as a starting point. Subsequently it is possible to register the individual products in one or more one-way remote controls using a special function of the two-way remote controls. For a detailed explanation of how to do this see the manual of the VELUX KLR 100.

KLR 100 Remote control

By making use of a two-way io-homecontrol® remote control one can achieve further functionality. In the following the setup of the WIC 01M using the two-way remote control VELUX KLR 100, is explained.

Setup using a new VELUX KLR 100 remote control

VELUX KLR 100 is a two-way remote control applying to the io-homecontrol® standard and therefore it is compatible with the WIC 01M. The procedure given here must be followed when setting up a WIC 01M for the first time using a NEW remote control of the type VELUX KLR 100.

1. Mount all actuators and sensors.
2. Connect all cables.
3. Slide of the battery cover from the rear side of the remote control. Insert the three supplied batteries (type AA, 1,5V) into the remote control. Replace Cover.
4. Choose language on the remote control.
 - NB: The following steps 5-8 must be completed within 10 minutes.
5. Connect mains supply to the WIC 01M you want to register.
 - WIC 01M is now in Auto set-up state and can be registered by the remote control.
6. Press "Ready"  on the remote control.
 - The remote control is now in the Auto set-up state and automatically registering the window.
7. A registered product can be seen on the display e.g. "No. 1 Window". This product can now be operated from the remote control. The new product will by default be placed in the setting "house".




Any connected sun screen product e.g. a blind, will also be registered. In this case as "No. 1 – Blind".

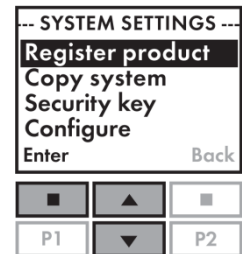
At this point the first WIC 01M has been registered in the remote control. If additional products that are to be registered in the remote control have been mounted, this can be done subsequently. The procedure for this is described in the section "Registration of product using a KLR100 that is already in use".

Registration of product using a KLR100 that is already in use

All products, that are to be operated by the remote control, must be registered in this. The method used depends on whether it is a new remote control or if other products have been registered in it previously.

In this section, the approach when a newly installed WIC 01M is to be set up with a remote control that is already in use is described.

1. If the mains supply is connected to the WIC 01M in question, disconnect it for one minute. Afterwards reconnect power.
2. Press  "Menu" on the remote control.
3. Continue through the menus: System settings -> Register product.
 - The remote control is now in the "Auto set-up" state. It registers the WIC 01M automatically. When this is done the remote control will show any registered product.



Any connected sun screen product e.g. a blind, will also be registered. Is it the first blind in the system it will be showed as "No. 1 – Blind".


Unless "Rooms" have been set up the new product will be placed in "House". Is it e.g. the second window that has been registered, it will get the name "No. 2 – Window"

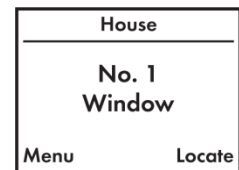
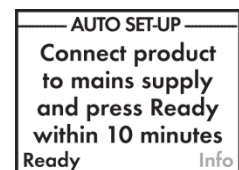
Please address the full manual for the remote control for more advanced possibilities regarding the establishment of "Groups" and "Rooms".

Set up of previously registered WIC 01M using the KLR 100

This procedure should be followed when a WIC 01M that has been registered previously, is to be set up with a remote control of the type VELUX KLR 100.

When the WIC 01M has been registered previously, it is necessary to reset it, in order to register it again.

1. Mount all actuators and sensors.
2. Connect all cables.
3. Slide of the battery cover from the rear side of the remote control. Insert the three supplied batteries (type AA, 1,5V) into the remote control. Replace Cover.
4. Choose language on the remote control.
 - NB: The following steps 5-8 must be completed within 10 minutes.
5. Connect mains supply to ONE WIC 01M.
6. Press the "Program button" on the WIC 01M shortly.
 - If the window is not already closed wait until it is, before continuing to step 7.
7. Press and hold the "Program button" for 5-10 seconds until the window starts going back and forth.
 - The WIC 01M is now in the "auto set-up" state for approximately 10 minutes and it can be registered by the remote control in this period.
 - If one fails to re-register the WIC 01M during the 10 minutes it will remain unregistered until a new registration is carried out.
8. Press "Ready"  on the remote control.
 - The remote control is now in the state "auto-setup" and will register the window automatically. When this is done the window stops moving back and forth - if they have not stopped already - and closes. The remote control will remain in the state for approximately one minute.
9. The displays indicates a registered product – i.e. "No. 1 - Window". This window is now operable. The new window will by default be placed in the setting "House".




The window just registered will be placed subsequently to previously registered windows. If i.e. two windows have been registered it will be placed as "No. 3 – Window".

Any attached sun screen product, e.g. a blind, will also be registered at this point.

Retrofitting of sun screen products

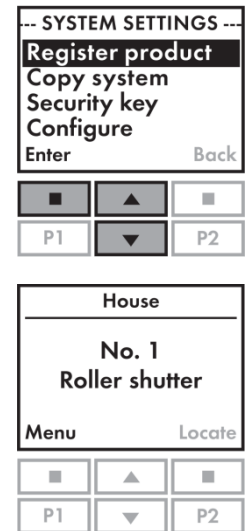
It is possible to register a retrofitted sun screen product using a one-way remote control, but it is recommended that a two-way remote control is always used to register the products at first. For this reason the guidelines given here are only relating to the setup of sun screen product using a two-way remote control.

As soon as an unregistered sun screen product is connected to a WIC 01M and mains supply is connected, it will be ready for registration. It will remain in this state for 10 minutes. The guide for connecting and setting up a sun screen product is given below.

1. Mount sun screen product if this is not already done.
2. Disconnect mains supply to the WIC 01M in question.
3. Connect all cables.
4. Connect WIC 01M to mains supply.
5. On the remote control press  "Menu".
6. Continue through the menus: System settings -> Register product.
 - The remote control is now in the state "AUTO SET-UP". It will now automatically register the attached sun screen product.

At this point the sun screen product is registered. It will be displayed as e.g. "No. 1 – Roller shutter".

If one wants to operate the sun screen product using a one-way remote control this can be configured now. How to do this is described in the manual following the two-way remote control.



Resetting

Here the resetting procedure of the WIC 01M is described. This will not be necessary under normal circumstances.

1. Press the program button on the WIC 01M shortly.
 - If the window is not completely closed, wait until it is before proceeding to step 2.
2. Keep the program button down for 5-10 seconds until the window starts moving back and forth.
 - The actuator will now go back and forth for approximately 30 seconds. After this period the window will move back to its closed position.
3. Turn of the universal mains supply for the WIC 01M.
 - The WIC 01M is now reset and ready to be registered.

Deutsch

Wichtige Informationen

- Das Produkt darf nur an WindowMaster 24 V Motoren mit MotorLink™ angeschlossen werden.
- WIC 01M darf nicht abgedeckt werden (die maximal zulässige Umgebungstemperatur ist 50 °C).
- WIC 01M ist ein Produkt der Klasse 2 und muss nicht geerdet werden.
- Nur für den Innenbereich.
- Bei Wartung und Service von Fenster und Zubehör muss der Strom abgeschaltet werden.
- Die Verpackung kann mit dem Hausmüll entsorgt werden.
- Wir empfehlen, die Steuereinheit nicht in staubiger Umgebung aufzustellen.
- Es wird empfohlen, eine Fernbedienung in dem Raum, wo die Fenster und ihre Produkte installiert sind, zu platzieren.
- Nur zu io-homecontrol® kompatible Produkte an die Sonnenschutzanschlüsse anschließen.
- Frequenzband: 868 MHz.
- Reichweite der Funkfrequenz: 300 m im Freien. Im Hausinneren beträgt die Reichweite ca. 30 m.

Wichtige Information für die Auswahl der Fernbedienungen

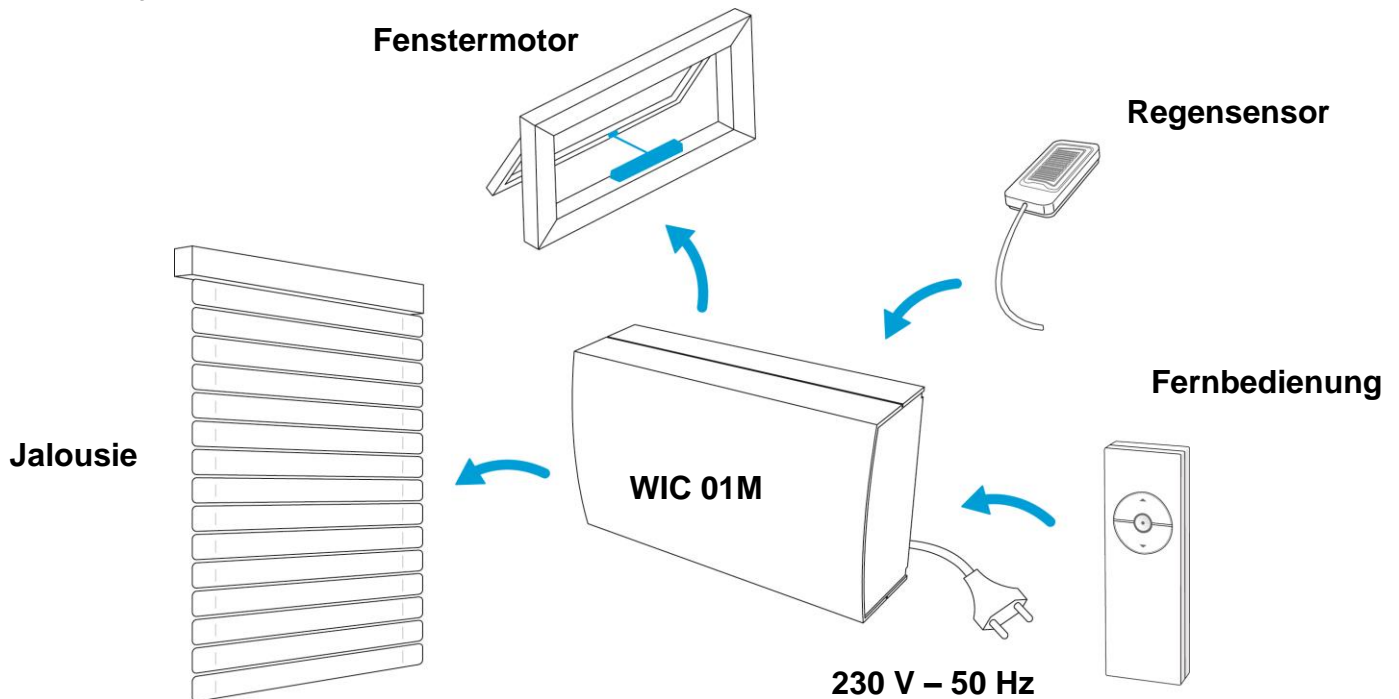
Es ist immer empfehlenswert, dass mindestens eine Zwei-Wege-Fernbedienung zu erwerben. Dadurch werden zusätzliche Funktionalität und Flexibilität bei der Einstellung und Benutzung von WIC-01M ermöglicht.

Beschreibung

WIC 01M ist eine Steuereinheit, die zur Steuerung von 24 Volt Fensteröffnern mit MotorLink™ und weiteren io-homecontrol® Sonnenschutzprodukten mit einer gleichzeitigen Stromaufnahme von max. 1 Ampere verwendet wird.. WIC 01M verfügt über einen Satz Anschlüsse für den Anschluss der Motorleitung (0 V, 24 V und Kommunikation) sowie zwei Powerlink-Anschlüsse für den Anschluss von Sonnenschutzprodukten von VELUX und VELFAC. Außerdem besteht die Möglichkeit, einen Regensensor anzuschließen.

Sowohl WIC 01M als auch die mitgelieferte Fernbedienung WIR 100 tragen die io-homecontrol®-Kennzeichnung. Das heißt, sie sind beide kompatibel mit anderen io-homecontrol®-Produkten.

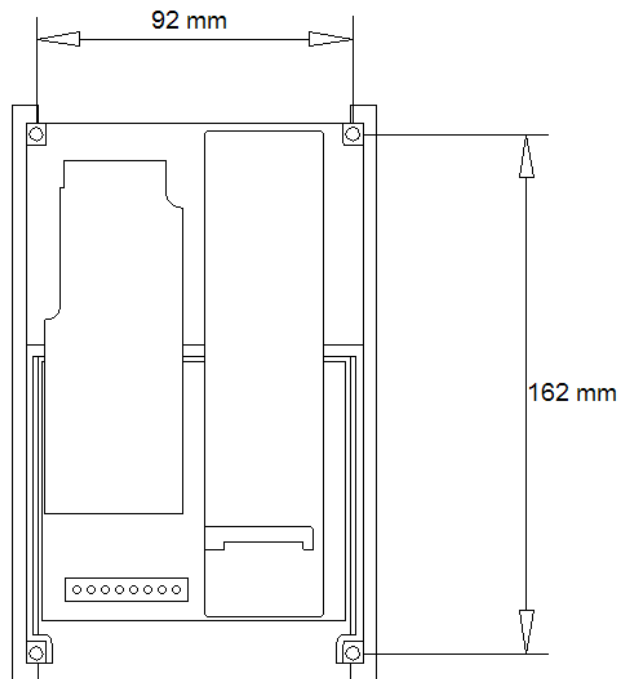
Um Zwei-Wege-Kommunikation und zusätzliche Funktionalität zu erreichen, kann die zu io-homecontrol®-kompatible Fernbedienung VELUX KLR 100 verwendet wird. In dieser Anleitung wird die Montage und Einstellung dieser Steuerungseinheit zusammen mit WIC 01M beschrieben.



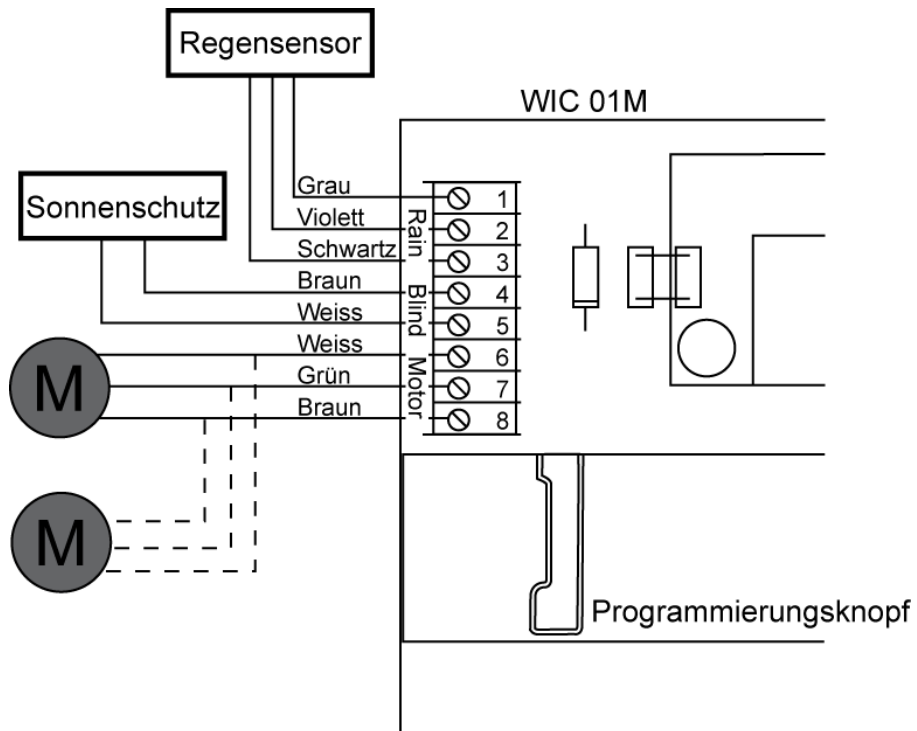
io-homecontrol® bietet eine fortschrittliche und sichere Radio-Funktechnologie, die einfach zu installieren ist. io-homecontrol® gekennzeichnete Produkte kommunizieren miteinander und verbessern somit Komfort, Sicherheit und Energieeinsparung.

www.io-homecontrol.com

Montage



Schaltdiagramm



Achtung: Schließen Sie WIC 01M nicht an das 230 V-Stromnetz an, bevor Sie zur Einstellung der Fernbedienung bereit sind.

WIR 100 Fernbedienung

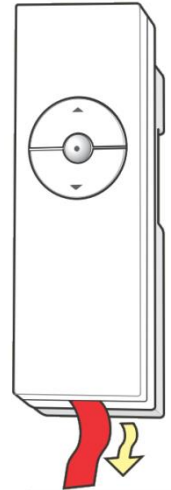
Die mitgelieferte Fernbedienung WIR 100 ist eine Ein-Wege-Fernbedienung, die so eingestellt werden kann, dass mit ihr ein oder mehrere Produkte bedienen werden. WIR 100 ist ein io-homecontrol®-Produkt, d. h. sie ist kompatibel zu anderen io-homecontrol®-Produkten.

Wenn ausschließlich Ein-Wege-Fernbedienungen eingesetzt werden, wird empfohlen, nur ein einziges Produkt durch WIC 01M zu bedienen. Dies kann ein Fensteröffner sein oder ein Sonnenschutzprodukt wie eine Jalousie oder eine Markise.

Registrierung einer WIC 01M

Im Folgenden wird die Einstellung eines einzigen Produktes mit WIR 100 beschrieben.

1. WIC 01M ans Stromnetz anschließen (UK Version hat UK Stecker).
 - WIC 01M ist nun im Registriermodus. Die restlichen Schritte müssen innerhalb von 10 Minuten durchgeführt werden.
2. Den Streifen aus dem Boden der Fernbedienung heraus ziehen, falls dies noch nicht vorher geschehen ist.
3. Mit einem spitzen Gegenstand die Reset-Taste auf der Fernbedienung drücken und 1 Sekunde lang halten.



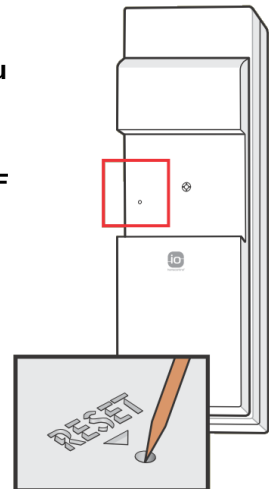
Jetzt WIC 01M registriert und kann per Fernbedienung gesteuert werden. Sollten die 10 Minuten überschritten worden sein, ist WIC 01M kurz vom Stromnetz zu trennen und erneut mit der Registrierung zu beginnen.

Registrierung von mehreren nicht registrierten WIC 01M bei einer Fernbedienu

Die Registrierung von mehreren WIC 01M an einer einzigen Fernbedienung geht wie folgt:

Achtung: Alle WIC 01M müssen mit gleichartigen Produkten verbunden sein, z. B. mit F

1. Alle WIC 01M ans Stromnetz anschließen (UK Version hat UK Stecker).
 - Alle WIC 01M sind nun im Registriermodus. Die restlichen Schritte müssen innerhalb von 10 Minuten durchgeführt werden.
2. Den Streifen aus dem Boden der Fernbedienung heraus ziehen, falls dies noch nicht vorher geschehen ist.
3. Mit einem spitzen Gegenstand die Reset-Taste auf der Fernbedienung drücken und 1 Sekunde lang halten.

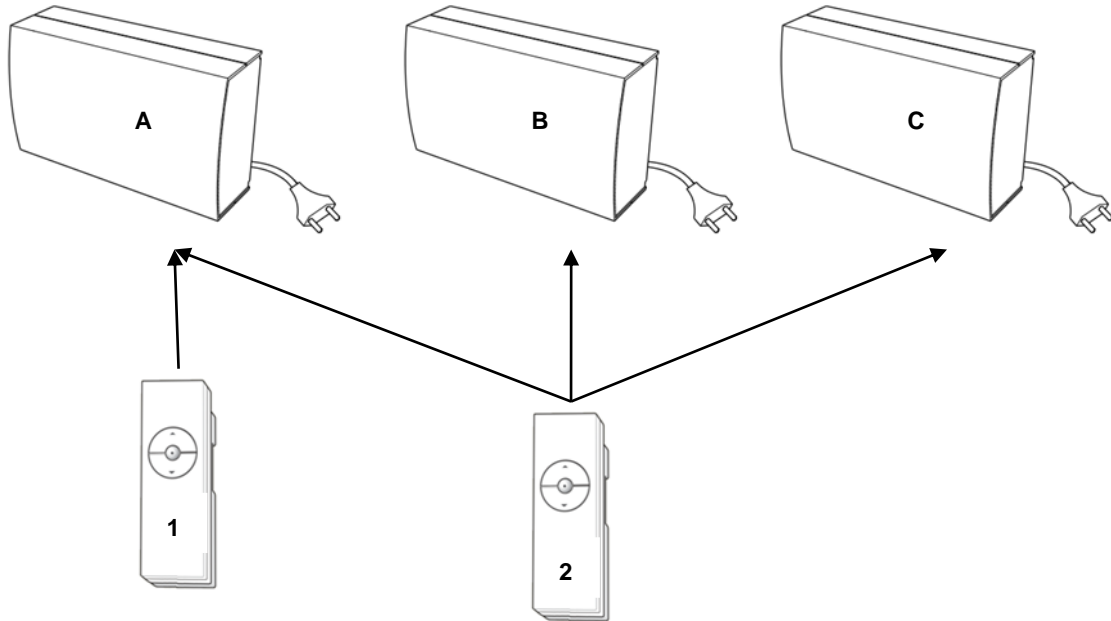


Jetzt können alle Fenster oder Sonnenschutzprodukte mit derselben Fernbedienung bedient werden.

Betrieb mit mehreren Fernbedienungen

Jede WIR 100 Fernbedienung kann zur Steuerung einer beliebigen Anzahl von WIC 01M eingestellt werden. Und mehrere WIR 100 Fernbedienungen können zur Steuerung desselben Produkts eingesetzt werden.

In der folgenden Abbildung wird ein System dargestellt, das aus zwei WIR 100 und drei WIC 01M besteht. Die eine Fernbedienung ist so eingestellt, dass sie alle WIC 01M steuert, während die andere Fernbedienung nur eine WIC 01M steuert.



In dieser Konfiguration steuert eine Fernbedienung (Nr. 2) drei WIC 01M (A, B und C) gleichzeitig, während mit der zweiten Fernbedienung (Nr. 1) nur eine WIC 01M (A) bedient wird. Die Einstellung wird wie folgt vorgenommen:

1. WIC 01M (A) ans Stromnetz anschließen. **(Achtung: Zu diesem Zeitpunkt nur diese eine WIC 01M ans Stromnetz anschließen!)**
 - WIC 01M (A) ist jetzt für 10 Minuten, oder bis die Registrierung durchgeführt wurde, im Registriermodus.
2. Den Reset-Knopf auf Fernbedienung Nr. 1 eine Sekunde lang drücken.
 - Jetzt kann WIC 01M (A) bedient werden.
3. Den Reset-Knopf auf Fernbedienung Nr. 1 ca. 10 Sekunden lang drücken.
 - Jetzt ist WIC 01M (A) bereit zur Registrierung von weiteren Fernbedienungen.
4. Nun WIC 01M (B) und (C) ans Stromnetz anschließen.
 - Jetzt sind auch diese bereit zur Registrierung.
5. Den Reset-Knopf auf Fernbedienung Nr. 2 eine Sekunde lang drücken.

Damit ist die Registrierung abgeschlossen und die in der Abbildung dargestellte Konfiguration erreicht.


Wenn Sie eine VELUX KLR 100 Zwei-Wege-Fernbedienung haben, wird empfohlen, dass Sie damit beginnen, alle Produkte bei dieser zu registrieren. Danach können mit ihrer Hilfe die einzelnen Produkte bei einer Ein-Wege-Fernbedienung registriert werden. Für eine detaillierte Anleitung dazu wird auf das Handbuch verwiesen, dass mit der VELUX KLR 100 mitgeliefert wird.

KLR 100 Fernbedienung

Durch die Verwendung einer io-homecontrol®-Zwei-Wege-Fernbedienung wird eine größere Funktionalität erreicht. Hier wird die Einstellung von WIC 01M zusammen mit VELUX KLR 100 beschrieben.

Einstellung mit einer neuen VELUX KLR 100 Fernbedienung

VELUX KLR 100 ist eine Zwei-Wege-Fernbedienung, die dem io-homecontrol®-Standard entspricht und daher zu WIC 01M kompatibel ist. Wenn diese zum ersten Mal benutzt und eingestellt werden soll, ist wie folgt vorzugehen:

1. Alle Motoren und Sensoren montieren.
2. Alle Kabel anschließen.
3. Den Batteriedeckel auf der Rückseite der Fernbedienung abnehmen. Die drei mitgelieferten Batterien des Typs AA 1,5 V in die Fernbedienung einsetzen. Den Batteriedeckel wieder aufsetzen.
4. Die gewünschte Sprache auf der Fernbedienung wählen.
 - Achtung: Die folgenden Schritte 5 bis 7 müssen innerhalb von 10 Minuten durchgeführt werden.
5. Jetzt die WIC 01M an das Stromnetz anschließen, die mit jenem Fenster verbunden ist, das als erstes Fenster registriert werden soll.
 - WIC 01M ist nun im Registriermodus und kann bei der Fernbedienung registriert werden.
6. Auf der Fernbedienung auf „Bereit“  drücken.
 - Die Fernbedienung ist jetzt im Modus „AUTOREGISTRIERUNG“. Sie registriert automatisch das Fenster.
7. Die Anzeige zeigt ein registriertes Produkt, z. B. „Nr. 1 – Fenster“. Dieses kann jetzt bedient werden. Das neue Produkt wird standardgemäß unter den Einstellungen für „Haus“ gespeichert.




Ein eventuell angeschlossenes Sonnenschutzprodukt wie z. B. eine Jalousie wird ebenfalls entsprechend registriert. In diesem Beispiel als „Nr. 1 – Jalousie“.

Jetzt die erste WIC 01M bei der Fernbedienung registriert. Sind weitere Produkte vorhanden, die per Fernbedienung gesteuert werden sollen, können diese danach registriert werden. Das entsprechende Verfahren ist im folgenden Abschnitt *Registrierung von Produkten bei einer KLR 100, die schon in Betrieb genommen wurde* beschrieben.

Registrierung von Produkten bei einer KLR 100, die schon in Betrieb genommen wurde

Alle Produkte, die mit der Fernbedienung gesteuert werden sollen, müssen bei dieser registriert werden. Das entsprechende Verfahren, hängt davon ab, ob die Fernbedienung neu ist oder ob sie bereits für andere Produkte verwendet wird. Dieser Abschnitt beschreibt das Verfahren, wenn eine neue WIC 01M mit einer Fernbedienung benutzt werden soll, die bereits in Gebrauch ist.

1. Das Produkt, das registriert werden soll, für eine Minute vom Stromnetz trennen. Dann wieder ans Stromnetz anschließen.
2. Auf der Fernbedienung  „Menü“ drücken.
3. Dann weiter durch die Menüs: Systemeinstellungen -> Produkt registrieren.
 - Die Fernbedienung ist jetzt im Modus „AUTOREGISTRIERUNG“. Sie registriert automatisch die WIC 01M. Sobald das erfolgt ist, werden alle registrierten Produkte angezeigt.



Ein eventuell angeschlossenes Sonnenschutzprodukt wie z. B. eine Jalousie wird ebenfalls entsprechend registriert. Ist dies die erste Jalousie, die vom System registriert wird, wird sie registriert als „Nr. 1 – Jalousie“.


Falls kein „Raum“ eingerichtet ist, wird das neue Produkt unter „Haus“ gespeichert. Ist dies z. B. das zweite Fenster, das registriert wird, wird es registriert als „Nr. 2 – Fenster“.

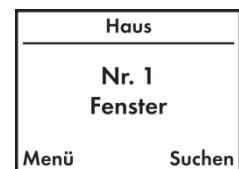
Für erweiterte Möglichkeiten zur Einrichtung von „Gruppen“ und „Räumen“ wird auf das umfassende Handbuch verwiesen, das mit der Fernbedienung KLR 100 mitgeliefert wird.

Einstellung von bereits registrierten WIC 01M mit KLR 100.

Dieses Verfahren ist durchzuführen, wenn eine WIC 01M (mit einem angeschlossenen Fenster), die bereits registriert war, jetzt von einer Fernbedienung des Typs VELUX KLR 100 gesteuert werden soll.

Wenn eine WIC 01M bereits registriert war, ist es notwendig, die Registrierung zurückzusetzen, damit eine neue Registrierung möglich ist.

1. Motor sowie eventuellen Regensensor und Sonnenschutzprodukt montieren.
2. Alle Kabel anschließen.
3. Den Batteriedeckel auf der Rückseite der Fernbedienung abnehmen. Die drei mitgelieferten Batterien des Typs AA 1,5 V in die Fernbedienung einsetzen. Den Batteriedeckel wieder aufsetzen.
4. Die gewünschte Sprache auf der Fernbedienung wählen.
 - Achtung: Die folgenden Schritte 5 bis 8 müssen innerhalb von 10 Minuten durchgeführt werden.
5. WIC 01M ans Stromnetz anschließen.
6. Einmal kurz auf den Knopf „Programm“ der WIC 01M drücken.
 - Ist das Fenster nicht bereits geschlossen, muss gewartet werden, bis es geschlossen ist, bevor mit Schritt 7 weitergemacht wird.
7. Den Programmknopf 5 bis 10 Sekunden drücken und halten, bis sich das Fenster zu bewegen beginnt.
 - WIC 01M ist nun im Registriermodus und kann erneut bei der Fernbedienung registriert werden. WIC 01M bleibt für ca. 10 Minuten in diesem Modus.
 - Falls die WIC 01M nicht erneut registriert wird, bleibt sie unregistriert, bis die neue Registrierung vorgenommen wird.
8. Auf der Fernbedienung auf „Bereit“  drücken.
 - Die Fernbedienung ist jetzt im Modus „AUTOREGISTRIERUNG“. Sie registriert automatisch das Fenster. Wenn das erfolgt ist, hört das Fenster auf, sich zu bewegen und schließt sich. Die Fernbedienung bleibt für ca. 1 Minute in diesem Modus.
9. Die Anzeige zeigt ein registriertes Produkt, z. B. „Nr. 1 – Fenster“. Dieses kann jetzt bedient werden. Das neue Produkt wird standardgemäß unter den Einstellungen für „Haus“ gespeichert.




Das gerade registrierte Fenster wird automatisch nach den bereits registrierten Produkten gespeichert. Wurden vorher z. B. bereits zwei Fenster registriert, wird es registriert als „Nr. 3 – Fenster“.

Ein eventuell angeschlossenes Sonnenschutzprodukt wie z. B. eine Jalousie wird ebenfalls entsprechend registriert.

Nachrüstung von Sonnenschutzprodukten

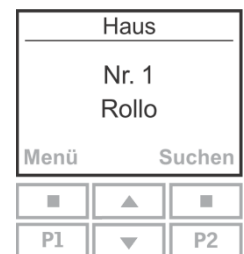
Es ist möglich, Sonnenschutzprodukte mit Einweg-Fernbedienungen zu registrieren, aber es wird empfohlen, seine Produkte immer zuerst bei einer Zwei-Wege-Fernbedienung zu registrieren. Die folgende Anleitung bezieht sich daher nur auf die Konfiguration von Sonnenschutzprodukten mit einer Zwei-Wege-Fernbedienung.

Unregistrierte Sonnenschutzprodukte gehen nach dem Anschluss an die WIC 01M in den Registriermodus, sobald sie ans Stromnetz angeschlossen werden. Sie bleiben für ca. 10 Minuten in diesem Modus. Die Sonnenschutzprodukte werden wie folgt bei der Fernbedienung registriert:

1. Falls noch nicht geschehen, die Sonnenschutzprodukte montieren.
2. WIC 01M vom Stromnetz trennen.
3. Alle Kabel anschließen.
4. WIC 01M ans Stromnetz anschließen.
5. Auf der Fernbedienung  „Menü“ drücken.
6. Dann weiter durch die Menüs: Systemeinstellungen -> Produkt registrieren.
 - Die Fernbedienung ist jetzt im Modus „AUTOREGISTRIERUNG“. Sie registriert automatisch das angeschlossene Sonnenschutzprodukt.

Jetzt ist das Sonnenschutzprodukt registriert. Es wird in der Anzeige z. B. als „Nr. 1 – Rollladen“ angezeigt.

Möchte man Sonnenschutzprodukte mit einer Ein-Wege-Fernbedienung bedienen, kann die entsprechende Einstellung nun vorgenommen werden. Die Anleitung dafür ist im Handbuch, dass mit der Zwei-Wege-Fernbedienung mitgeliefert wird, zu finden.



Zurücksetzen

Dieser Abschnitt beschreibt, wie eine 01M WIC zurückgesetzt werden kann. Dies ist normalerweise jedoch nicht notwendig.

1. Kurz den Programmknopf der WIC 01M drücken.
2. Den Programmknopf 5 bis 10 Sekunden drücken und halten, bis sich der Motor zu bewegen beginnt.
 - Der Motor bewegt sich nun für ca. 30 Sekunden. Dann schließt sich das Fenster und der Motor schaltet ab.
3. WIC 01M vom Stromnetz trennen.
 - WIC 01M ist nun zurückgesetzt und kann erneut registriert werden.

Sind sowohl ein Sonnenschutzprodukt als auch ein Fenstermotor installiert, werden mit der beschriebenen Vorgehensweise beide Produkte zurückgesetzt.

Dansk

Vigtig information

- Produktet må kun tilsluttes WindowMaster 24 VDC motorer med MotorLink™.
- WIC 01M må ikke tildækkes (den maksimale omgivelsestemperatur er 50°C).

- WIC 01M er et klasse 2 produkt og har ikke behov for jordforbindelse.
- Kun til indendørs brug.
- Ved vedligeholdelse/service af vindue/tilbehør skal netspænding være afbrudt.
- Emballagen kan bortskaffes sammen med almindeligt husholdningsaffald.
- Vi anbefaler, at styreenheden ikke placeres i støvfyldte omgivelser.
- Det anbefales at placere en fjernbetjening i det rum, hvor vindue og tilhørende produkter er monteret.
- Tilslut kun io-homecontrol® kompatible produkter til solafskærmningsterminalerne.
- Radiofrekvensbånd: 868MHz.
- Radiofrekvensrækkevidde: 300m i frit felt. Indendørs er rækkevidden ca. 30m.

Vigtig info angående valg af fjernbetjening

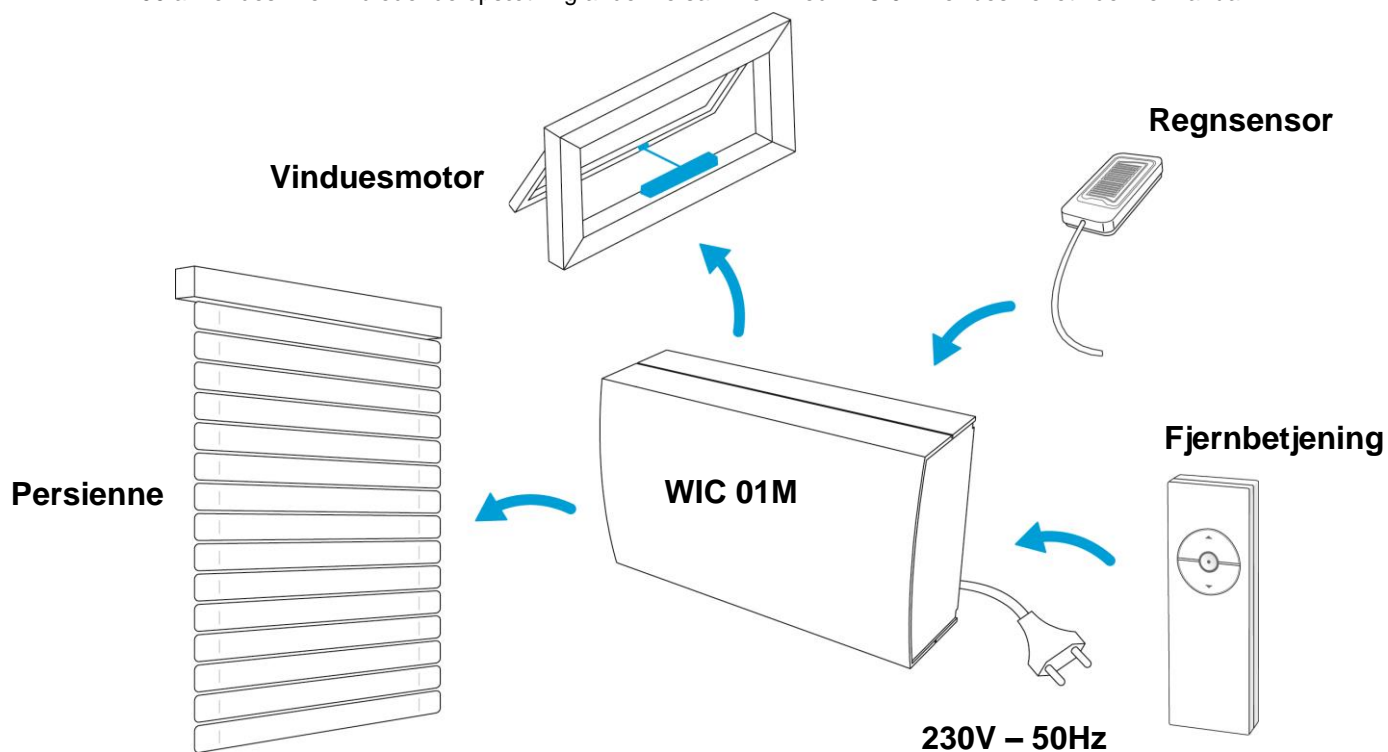
Det anbefales altid, at man anskaffer mindst én tovejsjernbetjening. Dette for at muliggøre yderligere funktionalitet og fleksibilitet i forbindelse med opsætning og brug af WIC 01M.

Beskrivelse

WIC 01M er en styreenhed, der anvendes til styring af 24 VDC vinduesåbnere med MotorLink™ og diverse io-homecontrol® solafskærmningsprodukter (fra VELUX eller VELFAC), med et samlet samtidigt strømforbrug på max 1A. WIC 01M har et sæt terminaler for tilslutning af motorledning (0V, 24V og kommunikation) samt to powerlink-terminaler for tilslutning af solafskærmningsprodukt fra VELUX eller VELFAC. Derudover er der mulighed for tilslutning af en regnsensor.

Både WIC 01M og den medfølgende fjernbetjening, WIR 100, bærer io-homecontrol® mærket. Dvs. de er begge kompatible med andre io-homecontrol® produkter.

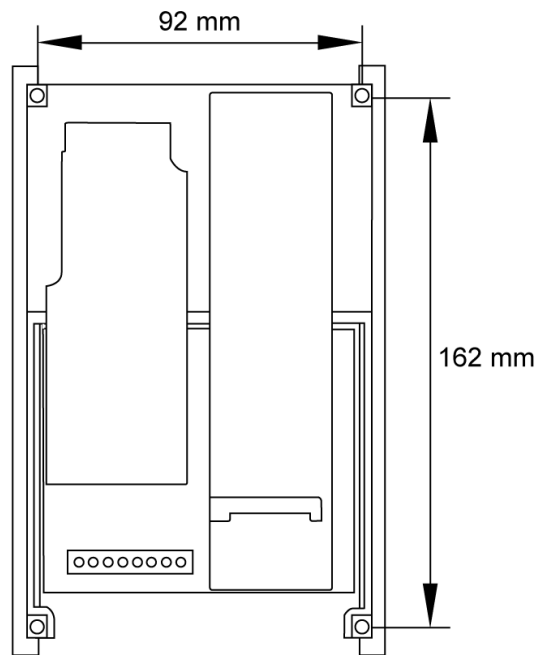
For at opnå tovejskommunikation og yderligere funktionalitet, kan den io-homecontrol® kompatible fjernbetjening VELUX KLR 100 anvendes. Den indledende opsætning af denne sammen med WIC 01M er beskrevet i denne manual.



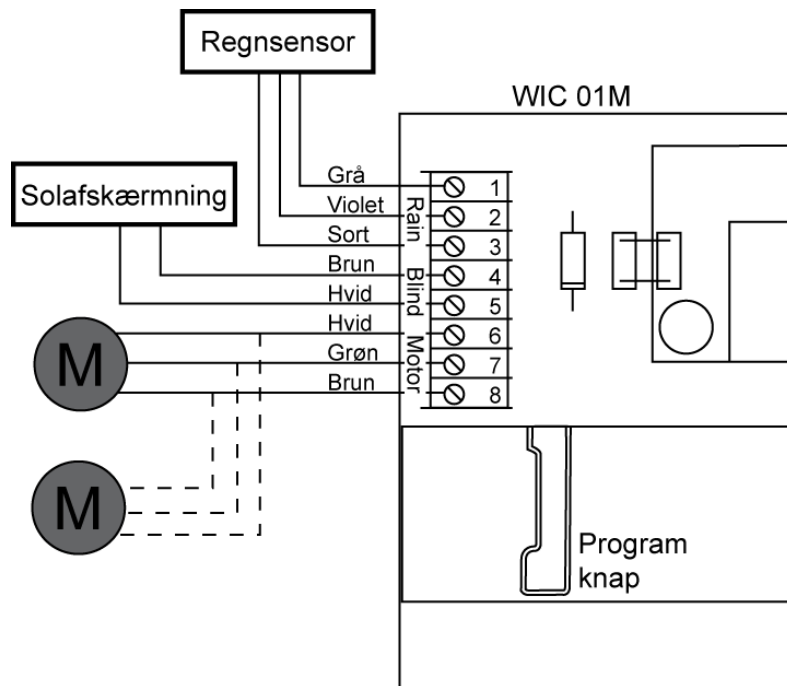
io-homecontrol® er avanceret og sikker radioteknologi, som er nem at installere. Produkter, der er mærket io-homecontrol®, kommunikerer med hinanden, hvilket giver øget komfort, sikkerhed og energibesparelser.

www.io-homecontrol.com

Montering



Forbindelsesdiagram



OBS: Tilslut ikke WIC 01M til 230V før du er klar til at foretage opsætning via fjernbetjening.

WIR 100 Fjernbetjening

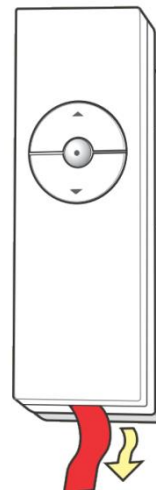
Den medfølgende fjernbetjening, WIR 100, er en envejsfjernbetjening, der kan sættes op til at betjene et enkelt eller flere produkter. WIR 100 er et io-homecontrol® produkt, hvilket vil sige, at det er kompatibelt med andre io-homecontrol® produkter.

Når man udelukkende bruger envejsfjernbetjeninger anbefales det, at man kun tilslutter ét produkt til WIC 01M. Dette kan enten være vinduesåbner eller et solafskærmningsprodukt som f.eks. en persienne eller markise.

Registrering af én WIC 01M

Herunder er opsætningen af et enkelt produkt med WIR 100 beskrevet.

1. Forbind WIC 01M til netspænding (UK version har UK stik).
 - WIC 01M er nu i registreringsstilstand. De resterende trin skal gennemføres indenfor 10 minutter.
2. Hiv strippen ud af bunden af fjernbetjeningen hvis dette ikke er gjort.
3. Brug en tynd genstand til at trykke på reset-knappen på fjernbetjeningen i 1 sekund.



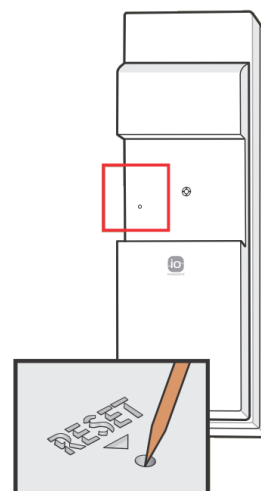
Nu er WIC 01M registreret og kan betjenes af fjernbetjeningen. Hvis de 10 minutter blev overskredet skal netspændingen tages fra WIC 01M hvorpå den tilsluttes igen.

Registrering af flere uregistrerede WIC 01M i én fjernbetjening

Herunder er opsætningen af flere WIC 01M til betjening af samme fjernbetjening beskrevet.

OBS: Alle WIC 01M skal være forbundet til samme type produkt, f.eks. vinduesåbner.

1. Forbind alle WIC 01M til netspænding (UK version har UK stik).
 - Alle WIC 01M er nu i registreringsstilstand. De resterende trin skal gennemføres indenfor 10 minutter.
2. Hiv strippen ud af bunden af fjernbetjeningen hvis dette ikke er gjort.
3. Brug en tynd genstand til at trykke på reset-knappen i 1 sekund.

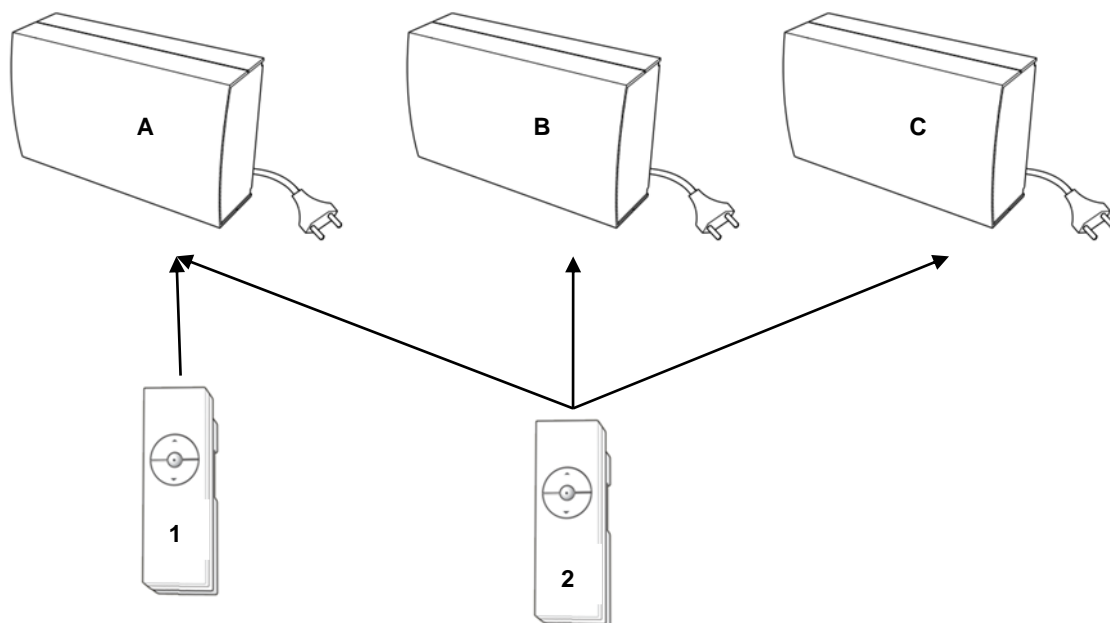


Nu er det muligt at betjene alle vinduer eller solafskærmningsprodukter med samme fjernbetjening.

Betjening med flere fjernbetjeninger

Hver WIR 100 fjernbetjening kan opsættes til at styre et vilkårligt antal WIC 01M. Og flere WIR 100 fjernbetjeninger kan opsættes til at betjene samme produkt(er).

På figuren herunder er vist et system bestående af to WIR 100 og tre WIC 01M. Den ene fjernbetjening er sat op til at styre alle WIC 01M, mens den anden fjernbetjening kun styrer den ene.



I denne opsætning betjener en fjernbetjening (nr. 2) tre WIC 01M (A, B og C) simultant, mens en anden fjernbetjening (nr. 1) er sat op til kun at betjene én WIC 01M (A). Proceduren for at lave denne opsætning er beskrevet her.

1. Tilslut netspænding til WIC 01M **A**. (**OBS: Tilslut kun netspænding til denne ene WIC 01M på dette tidspunkt!**)
 - WIC 01M **A** er nu i registreringstilstand i 10 minutter eller indtil den bliver registreret.
2. Tryk kort på reset-knappen på fjernbetjening nr. 1.
 - Nu kan WIC 01M **A** betjenes.
3. Hold nu reset-knappen på fjernbetjening nr. 1 nede i ca. 10 sekunder.
 - Nu er WIC 01M **A** klar til registrering af yderligere fjernbetjeninger.
4. Tilslut netspænding til WIC 01M **B** og **C**
 - Nu er disse to også klar til registrering.
5. Reset-knappen på fjernbetjening nr. 2 trykkes ned i 1 sekund.

Nu er registreringen færdig og opsætningen illustreret på figuren er opnået.


Har man en VELUX KLR 100 tovejsfjernbetjening anbefales det, at man starter med at registrere alle produkter i denne. Herefter kan man ved hjælp af denne registrere enkelte produkter i en envejsfjernbetjening. For udførlig vejledning i dette henvises til manualen medfølgende VELUX KLR 100.

KLR 100 fjernbetjening

Ved at benytte en tovejs io-homecontrol® fjernbetjening kan man opnå større funktionalitet. Her beskrives opsætning af WIC 01M sammen med VELUX KLR 100.

Opsætning med ny VELUX KLR 100 fjernbetjening

VELUX KLR 100 er en tovejsfjernbetjening, der overholder io-homecontrol® standarden og derfor er kompatibel med WIC 01M. Når denne skal indstilles og tages i brug for første gang, skal fremgangsmåden beskrevet herunder følges.

1. Monter alle motorer og sensorer.
2. Forbind alle kabler.
3. Skub batterilåget af fjernbetjeningens bagside. Sæt de tre medleverede batterier af typen "AA 1,5V" i fjernbetjeningen. Sæt batterilåget på plads igen.
4. Vælg det ønskede sprog på fjernbetjeningen.
 - OBS: De efterfølgende trin 5-7 skal gennemføres indenfor 10 minutter.
5. Tilslut nu netspænding til den WIC 01M, der er forbundet til det vindue, der ønskes registreret som det første vindue.
 - WIC 01M er nu i registreringstilstand og kan registreres af fjernbetjeningen.
6. Tryk på "Klar"  på fjernbetjeningen.
 - Fjernbetjeningen er nu i tilstanden "AUTOREGISTRERING". Den registrerer nu automatisk vinduet.
7. Displayet viser et registreret produkt – f.eks. "Nr. 1 - Vindue". Dette kan nu betjenes. Det nye produkt placeres som standard i indstillingen "Hus".




Et eventuelt tilsluttet solafskærmningsprodukt, som f.eks. en persienne, vil nu også være registreret. I dette tilfælde som "Nr. 1 – Persienne".

Nu er den første WIC 01M registreret i fjernbetjeningen. Er der monteret yderligere produkter, der skal fjernbetjenes, kan disse blive registreret efterfølgende. Proceduren, der bruges til dette, er beskrevet i det følgende afsnit: *Registrering af produkt med KLR 100 der ER taget i brug*

Registrering af produkt med KLR 100 der ER taget i brug

Alle produkter, der skal betjenes med fjernbetjening, skal registreres i denne. Metoden, der bruges til dette, afhænger af, om fjernbetjeningen er ny, eller om den allerede er taget i brug til andre produkter. I dette afsnit beskrives fremgangsmåden, når en ny WIC 01M skal tages i brug sammen med en fjernbetjening, der allerede er taget i brug.

1. Afbryd netspændingen til produktet, der ønskes registreret, hvis den ikke allerede er afbrudt, i et minut. Tilslut herefter netspændingen igen.
2. På fjernbetjeningen vælges  "Menu".
3. Herefter fortsættes gennem menuerne: Systemindstillinger -> Registrér produkt.
 - Fjernbetjeningen er nu i tilstanden "AUTOREGISTRERING". Den registrerer nu automatisk WIC 01M. Når den har gjort dette, vil den vise eventuelle registrerede produkter.



Et eventuelt tilsluttet solafskærmningsprodukt, som f.eks. en persienne, vil nu også være registreret. Et eventuelt tilsluttet solafskærmningsprodukt, som f.eks. en persienne, der er registreret i systemet, vil den blive registreret som "Nr. 1 – Persienne".


Medmindre der er oprettet "Rum" vil det nye produkt blive placeret i "Hus". Er det f.eks. nummer 2 vindue, der er blevet registreret, vil det få navnet "Nr. 2 – Vindue".

For mere avancerede muligheder omkring oprettelse af flere "Grupper" og "Rum", henvises der til den fulde manual medfølgende fjernbetjeningen KLR 100.

Opsætning af tidligere registreret WIC 01M med KLR 100

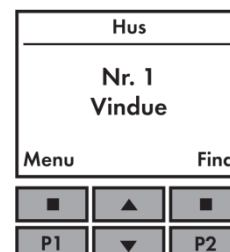
Denne procedure skal følges når en WIC 01M (med et vindue tilsluttet), der tidligere har været registreret, skal opsættes med en fjernbetjening af typen VELUX KLR 100.

Når WIC 01M tidligere har været registreret, vil det være nødvendigt at nulstille denne, før ny registrering er mulig.

1. Monter motor samt eventuel regnsensor og solafskærmningsprodukt.
2. Forbind alle kabler.
3. Skub batterilåget af fjernbetjeningens bagside. Sæt de tre medleverede batterier af typen "AA 1,5V" i fjernbetjeningen. Sæt batterilåget på plads igen.
4. Vælg det ønskede sprog på fjernbetjeningen.
 - OBS: De efterfølgende trin 5-8 skal gennemføres indenfor 10 minutter.
5. Tilslut netspænding til WIC 01M.
6. Tryk en gang kort på "Program knappen" på WIC 01M
 - Er vinduet ikke allerede helt lukket, skal man vente indtil det er lukket, før der fortsættes til trin 7.
7. Hold programknappen nede i 5-10 sekunder indtil vinduet begynder at køre frem og tilbage.
 - WIC 01M er nu bragt i registreringsstilstand hvor den på ny kan registreres af fjernbetjeningen. WIC 01M forbliver i denne tilstand i ca. 10 minutter.
 - Hvis man undlader at gen-registrere WIC 01M, vil den være uregistreret indtil ny registrering foretages.
8. Tryk på "Klar"  på fjernbetjeningen.
 - Fjernbetjeningen er nu i tilstanden "AUTOREGISTRERING". Den registrerer nu automatisk vinduet. Når den har gjort dette, holder vinduet op med at bevæge sig frem og tilbage og lukker. Fjernbetjeningen forbliver herefter i denne tilstand i ca. 1 minut.
9. Displayet viser et registreret produkt – f.eks. "Nr. 1 - Vindue". Dette kan nu betjenes. Det nye produkt placeres som standard i indstillingen "Hus".

Det netop registrerede vindue vil automatisk lægge sig efter tidligere registrerede produkter. Er der f.eks. tidligere registreret to vinduer, vil det lægge sig som "Nr. 3 – Vindue".


Et eventuelt tilsluttet solafskærmningsprodukt, som f.eks. en persienne, vil nu også være registreret.



Eftermontering af solafskærmningsprodukter

Det er muligt at registrere solafskærmningsprodukter med envejsfjernbetjening, men det anbefales, at man altid først registrerer sine produkter i en tovejsfjernbetjening. Vejledningen her relaterer derfor kun til opsætning af solafskærmningsprodukter sammen med en tovejsfjernbetjening.

Uregistrerede solafskærmningsprodukter vil efter tilslutning til WIC 01M være i registreringstilstand, så snart spænding er tilsluttet. De vil forblive i denne tilstand i ca. 10 minutter. Vejledningen i at tilslutte et solafskærmningsprodukt følger herunder:

1. Monter solafskærmningsprodukt hvis dette ikke allerede er gjort.
2. Afbryd netspænding til WIC 01M.
3. Forbind alle kabler.
4. Tilslut netspænding til WIC 01M
5. På fjernbetjeningen vælges  "Menu".
6. Der fortsættes gennem menuerne: Systemindstillinger -> Registrere produkt.
 - Fjernbetjeningen er nu i tilstanden "AUTOREGISTRERING". Den registrerer nu automatisk det tilsluttede solafskærmningsprodukt.

Nu er solafskærmningsproduktet registreret. Dette vil blive vist på displayet som f.eks. "Nr. 1 – Rulleskodde".

Ønsker man at betjene solafskærmningsprodukter med en envejsfjernbetjening, kan dette nu konfigureres. Vejledning i at foretage denne konfiguration findes i manualen medfølgende tovejsfjernbetjeningen.



Nulstilling

I dette afsnit beskrives hvorledes en WIC 01M kan nulstilles. Dette vil under normale omstændigheder ikke være nødvendigt.

1. Tryk kort på programknappen på WIC 01M.
2. Hold programknappen nede i ca. 5-10 sekunder indtil motoren begynder at køre frem og tilbage.
 - Motoren vil nu køre frem og tilbage i ca. 30 sekunder. Herefter vil vinduet lukke og motoren vil stoppe.
3. Tag netspændingen fra WIC 01M.
 - WIC 01M er nu nulstillet og klar til at blive registreret igen.

Er både solafskærmningsprodukt samt vinduesmotor monteret vil begge disse produkter blive nulstillet ved at følge ovenstående procedure.

Français

Information importante

- Le produit ne peut être raccordé qu' aux moteurs MotorLink™ 24 VDC WindowMaster.
- WIC 01M ne doit pas être recouvert (température ambiante maximale de 50°C).
- WIC 01M est un produit de classe 2 et ne nécessite pas de prise à la terre.
- Uniquement utilisable en intérieur.
- Pour effectuer l'entretien/le service de la fenêtre/des accessoires, ceux-ci doivent être débranchés du secteur.
- L'emballage peut être jeté dans les ordures ménagères ordinaires.
- Il est vivement conseillé de ne pas laisser l'unité de commande dans un environnement poussiéreux.
- Il est vivement conseillé de placer la télécommande dans la pièce où la fenêtre et les produits correspondant sont montés.
- Ne raccorder que des produits io-homecontrol® compatibles aux bornes de fonctionnement des protections solaires.
- Bande de fréquences radio : 868MHz.
- Portée des fréquences radio : 300 m en plein air. Portée en intérieur, environ : 30m.

Info importante concernant le choix des télécommandes

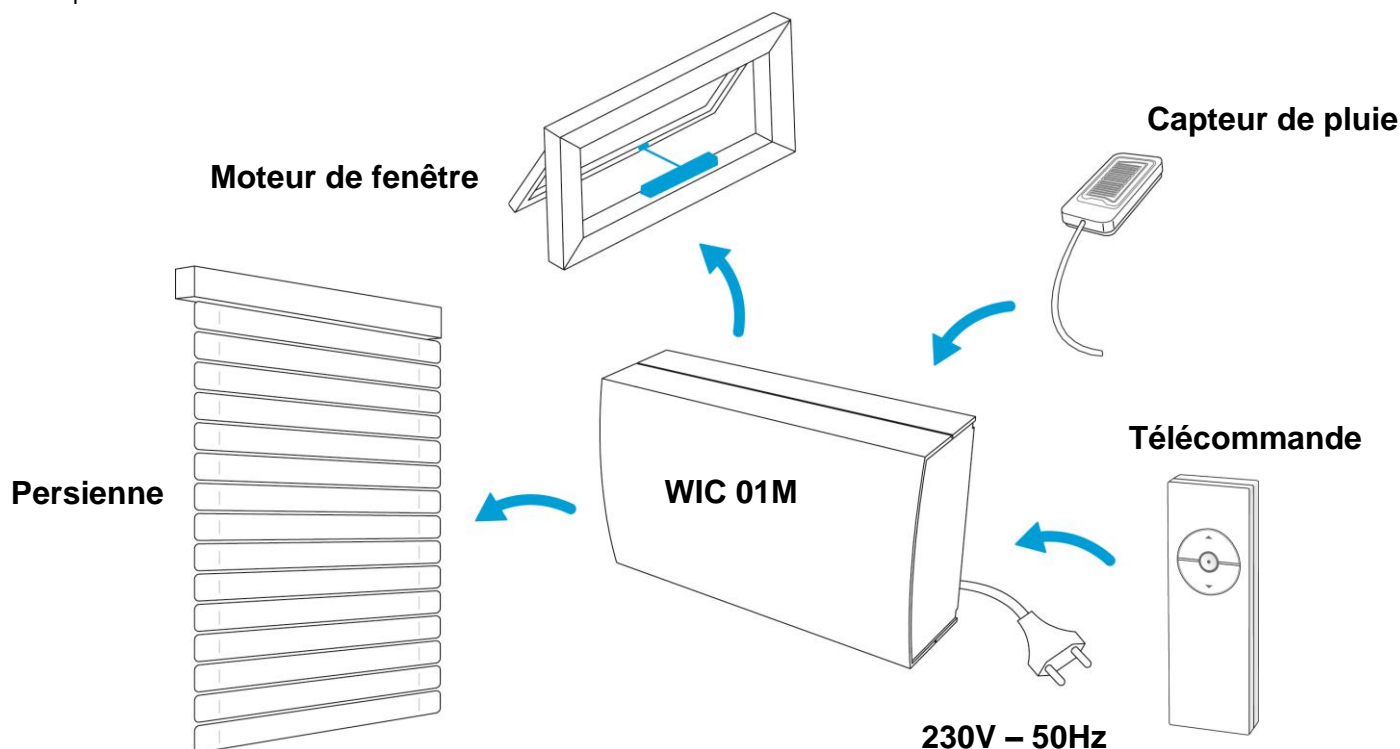
il est recommandé de se procurer au moins une télécommande bidirectionnelle. Ce choix offre de plus grandes opportunités en terme de fonctionnalité et de flexibilité par rapport à l'installation et l'emploi de la WIC 01M.

Description

WIC 01M est une unité de commande de moteurs de fenêtres 24 VDC avec MotorLink™ et divers dispositifs de protection solaire io-homecontrol® (stores de VELUX ou VELFAC), avec une consommation électrique totale maximale de 1A. WIC 01M a un bornier pour le raccordement de câble du moteur (0V, 24V et communication) ainsi que deux bornes powerlink pour le raccordement du dispositif de protection solaire type VELUX ou VELFAC. En outre, il est possible de brancher un capteur de pluie.

Aussi bien la WIC 01M que la télécommande WIR 100 fournie, sont des marques io-homecontrol®. C'est à dire que les deux sont compatibles avec d'autres produits io-homecontrol®.

Pour obtenir une communication bidirectionnelle ainsi que davantage de fonctionnalités, on peut utiliser la télécommande compatible io-homecontrol® VELUX KLR 100. L'installation initiale de cette dernière avec la WIC 01M est présentée dans ce manuel.



io-homecontrol® er avanceret og sikker radioteknologi, som er nem at installere. Produkter, der er mærket io-homecontrol®, kommunikerer med hinanden, hvilket giver øget komfort, sikkerhed og energibesparelser.

www.io-homecontrol.com

Installation

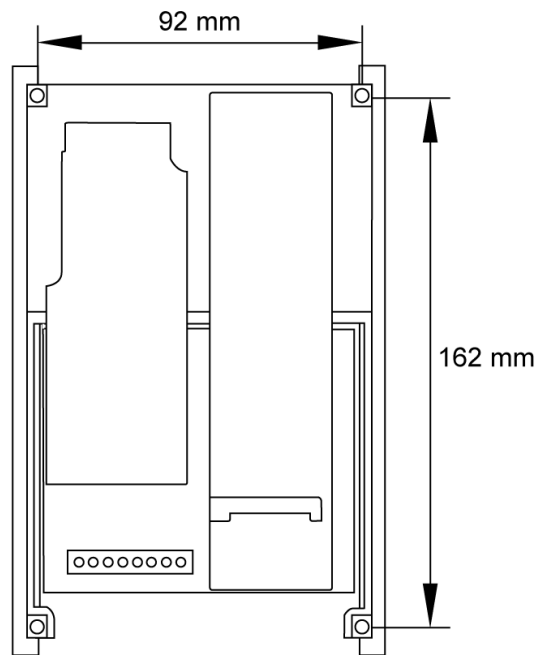
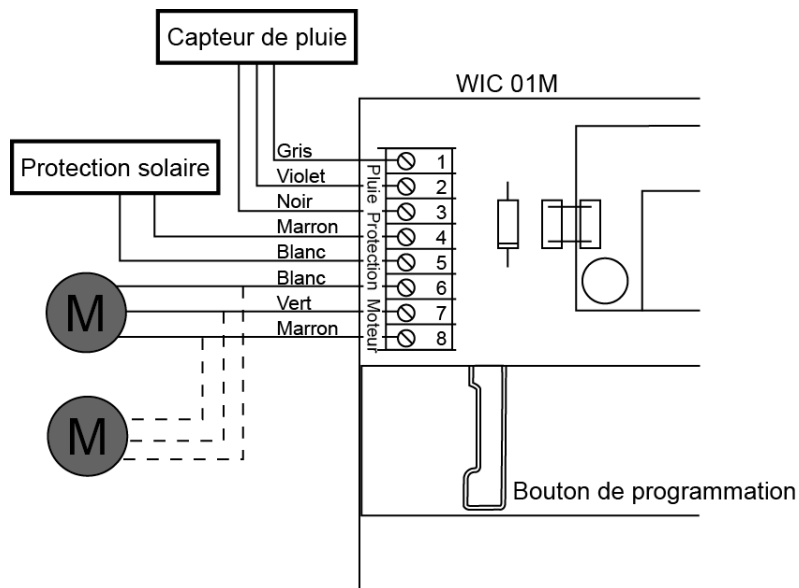


Schéma de branchements électrique



ATTENTION : Ne pas raccorder la WIC 01M au 230V avant d'être prêt à entreprendre l'installation par la télécommande.

Télécommande WIR 100

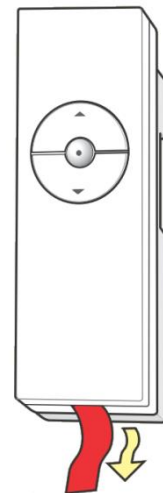
La télécommande fournie WIR 100, est une télécommande unidirectionnelle programmable pour la gestion d'un seul ou plusieurs produits. La WIR 100 est un produit io-homecontrol®, ce qui signifie qu'il est parfaitement compatible avec les autres produits de la marque io-homecontrol®.

Quand on utilise exclusivement des télécommandes unidirectionnelles, il est recommandé de ne raccorder qu'un seul produit à la WIC 01M. Qu'il s'agisse de moteurs de fenêtres ou de protections solaires telles que persienne ou store.

Enregistrement d'une WIC 01M

Ci-dessous, vous trouverez la description de l'installation d'un seul produit en correspondance avec la WIR 100.

4. Raccorder la WIC 01M au secteur (la version R.U. a une prise R.U.).
 - WIC 01M est maintenant prête à l'enregistrement. Les étapes suivantes doivent être accomplies en 10 minutes.
5. Retirer la protection du fond de la télécommande si cela n'est déjà fait.
6. Utiliser un objet pointu pour appuyer sur le bouton de réinitialisation pendant 1 seconde.



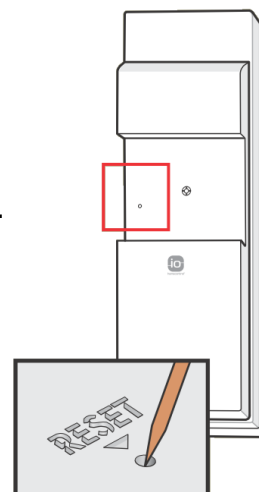
Maintenant, WIC 01M est enregistrée et peut être actionnée par la télécommande. Si vous avez dépassé les 10 minutes, il faut débrancher la WIC 01M du secteur avant de la brancher à nouveau.

Enregistrement de plusieurs WIC 01M non-enregistrées dans une télécommande

Ci-dessous, vous trouverez la description de l'installation de plusieurs WIC 01M pour une commande par la même télécommande.

ATTENTION : Toutes les WIC 01M doivent être reliées au même type de produit, par ex.

4. Raccorder toutes les WIC 01M au secteur (la version R.U. a une prise R.U.).
 - Toutes les WIC 01M sont maintenant prêtes à l'enregistrement. Les étapes suivantes doivent être accomplies en 10 minutes.
5. Retirer la protection du fond de la télécommande si cela n'est déjà fait.
6. Utiliser un objet pointu pour appuyer sur le bouton de réinitialisation pendant 1 seconde.

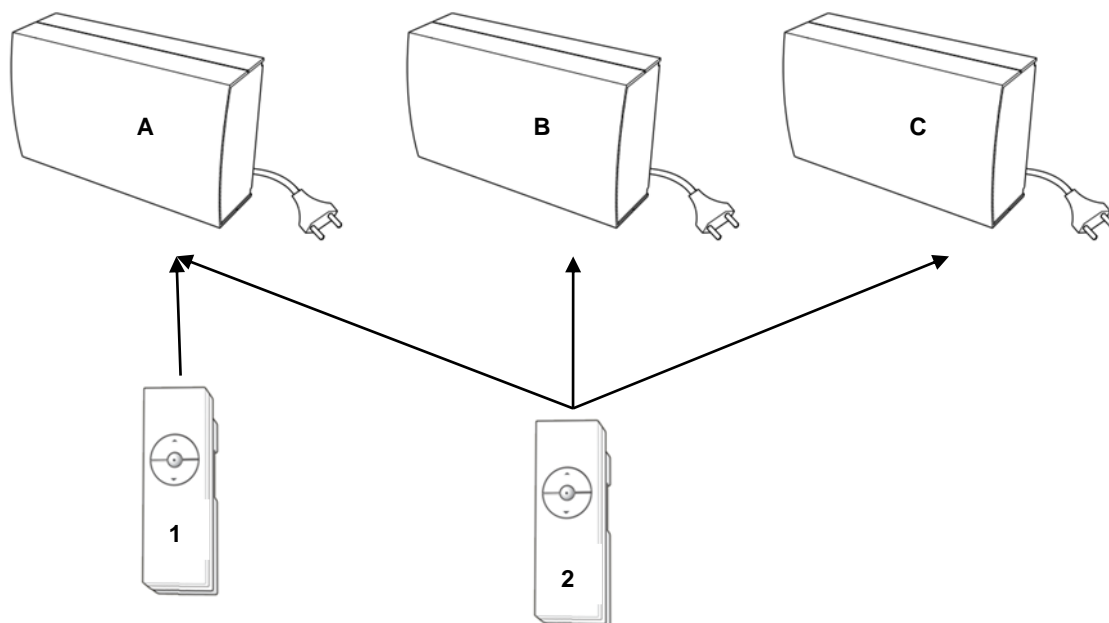


Maintenant, on peut actionner toutes les fenêtres ou les stores avec la même télécommande.

Commande avec plusieurs télécommandes

Chaque télécommande WIR 100 peut être programmée à gérer un nombre indéfini de WIC 01M. Et plusieurs télécommandes WIR 100 peuvent être programmées à gérer le(s) même(s) produit(s).

Sur la figure ci-dessous, on voit un système comprenant deux WIR 100 et trois WIC 01M. L'une des télécommandes est programmée à gérer toutes les WIC 01M, alors que l'autre n'en gère qu'une seule.



Dans cette configuration, une seule télécommande (n° 2) gère trois WIC 01M (A, B et C) simultanément, tandis qu'une deuxième (n° 1) est programmée pour gérer une seule WIC 01M (A). Voici comment obtenir cette configuration.

6. Brancher la WIC 01M **A** au secteur. (**ATTENTION : Ce n'est qu'à ce moment-là que vous pouvez raccorder cette seule WIC 01M au secteur!**)
 - WIC 01M **A** est maintenant disposée à l'enregistrement pendant 10 minutes ou jusqu'à ce qu'elle le soit.
7. Appuyer brièvement sur le bouton de réinitialisation de la télécommande n° 1.
 - Maintenant, la WIC 01M **A** est en état de marche.
8. Maintenez maintenant ce même bouton de réinitialisation de la télécommande n°1 appuyé pendant environ 10 secondes.
 - Maintenant, WIC 01M **A** est prête à l'enregistrement de plusieurs télécommandes.
9. Brancher les WIC 01M **B et C** au secteur
 - Alors ces deux dernières sont également prêtes à l'enregistrement.
10. Appuyer sur le bouton de réinitialisation de la télécommande n° 2 pendant 1 seconde.

Maintenant l'enregistrement est terminé et la configuration illustrée sur la figure est accomplie.


Avec l'usage d'une télécommande bidirectionnelle VELUX KLR 100, on recommande de commencer par y enregistrer tous les produits. Après quoi, à l'aide de cette dernière, on peut enregistrer chaque produit dans une télécommande unidirectionnelle. Pour obtenir de plus amples instructions sur ce sujet, veuillez consulter le manuel fourni avec la VELUX KLR 100.

Télécommande KLR 100

En utilisant une télécommande bidirectionnelle io-homecontrol®, on peut obtenir davantage de fonctionnalité. Voici comment configurer la WIC 01M avec la KLR 100 VELUX .

Installation avec la nouvelle télécommande KLR 100 VELUX

La VELUX KLR 100 est une télécommande bidirectionnelle conforme aux caractéristiques io-homecontrol®, d'où sa compatibilité avec la WIC 01M. Lorsque celle-ci doit être réglée et utilisée pour la première fois, la procédure décrite cidessous s'impose.

8. Monter tous les moteurs et capteurs.
9. Raccorder tous les câbles.
10. Retirer le couvercle des piles à l'arrière de la télécommande. Mettre les 3 piles fournies de type "AA 1,5V" dans le logement. Reposer le couvercle.
11. Sélectionner la langue choisie pour la télécommande.
 - ATTENTION : Les étapes suivantes 5-7 doivent être accomplies en 10 minutes.
12. Raccorder au secteur la WIC 01M qui est reliée à la fenêtre que l'on souhaite enregistrer comme première fenêtre.
 - Maintenant, WIC 01M est prête pour être enregistrée par la télécommande.
13. Appuyer sur le "Prêt"  de la télécommande.
 - Maintenant, la télécommande est en mode "AUTOENREGISTREMENT". Maintenant, elle enregistre automatiquement la fenêtre.
14. L'écran affiche le produit enregistré – par ex. : "Fenêtre - N°1 ". Dans ce cas, cette dernière peut être désormais actionnée. Ce nouveau produit est alors disposé dans le réglage "Maison".




Un dispositif de protection solaire éventuellement raccordé, comme par ex. une persienne, sera également enregistré. Dans ce cas-là, en tant que "Persienne - N°1".

Maintenant, la première WIC 01M est enregistrée dans la télécommande. Si davantage de produits montés doivent être télécommandés, ces derniers peuvent être enregistrés par la suite. Pour ce faire, la procédure nécessaire est décrite dans la section suivante : *Enregistrement de produit avec la KLR 100 qui EST déjà utilisée*

Enregistrement de produit avec la KLR 100 qui EST déjà utilisée

Tous les produits qui doivent être commandés par télécommande doivent tous y être enregistrés. La méthode pour cela dépend de ce que la télécommande est soit nouvelle soit déjà utilisée pour d'autres produits. Dans cette section, la méthode décrite est celle qui correspond au fait qu'une nouvelle WIC 01M doit être mise en service avec une télécommande qui est déjà utilisée.

4. Couper l'alimentation du secteur au produit que l'on veut enregistrer, si ce n'est déjà le cas, pendant une minute. Remettre ensuite sous tension.
5. Sur la télécommande, on sélectionne  "Menu".
6. Puis on déroule dans le menu : Réglages système -> Enregistrer produit.
 - Maintenant, la télécommande est en mode "AUTOENREGISTREMENT". Maintenant, elle enregistre automatiquement WIC 01M. Une fois ceci fait, elle affichera les produits éventuellement enregistrés.



Un dispositif de protection solaire éventuellement raccordé, comme par ex. une persienne, sera également enregistré. S'il s'agit de la première persienne enregistrée dans le système, elle sera enregistrée en tant que " – Persienne - N°1".


A moins d'avoir établi une "Pièce", le nouveau produit sera placé dans "Maison". Si par ex. la fenêtre numéro 2 a été enregistrée, elle recevra l'intitulé "Fenêtre - N°2".

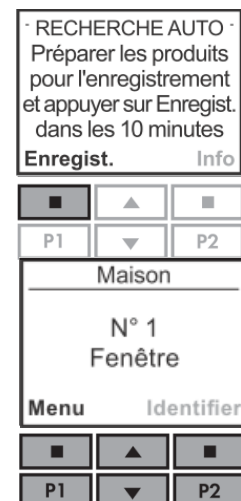
Dans l'éventualité de créations possibles de plusieurs "Groupes" et "pièces", veuillez consulter le manuel fourni avec la télécommande KLR 100.

Configuration d'une WIC 01M enregistrée précédemment avec une KLR 100

Cette procédure doit être suivie quand une WIC 01M (avec une fenêtre raccordée), qui a été précédemment enregistrée, doit être programmée avec une télécommande de type VELUX KLR 100.

Quand une WIC 01M a précédemment été enregistrée, il sera nécessaire de la remettre à zéro avant que le nouvel enregistrement puisse se faire.

10. Monter le moteur, éventuellement le capteur de pluie et le dispositif de protection solaire.
11. Raccorder tous les câbles.
12. Retirer le couvercle des piles à l'arrière de la télécommande. Mettre les 3 piles fournies de type "AA 1,5V" dans le logement. Reposer le couvercle.
13. Sélectionner la langue choisie pour la télécommande.
 - ATTENTION : Les étapes suivantes 5-8 doivent être accomplies en 10 minutes.
14. Brancher la WIC 01M au secteur.
15. Appuyer une fois brièvement sur le "Bouton programme" de WIC 01M
 - Si la fenêtre n'est pas déjà complètement fermée, il faut attendre qu'elle le soit avant de continuer avec l'étape 7.
16. Maintenir appuyé le bouton de programme pendant 5-10 secondes jusqu'à ce que la fenêtre commence à aller et venir.
 - Maintenant, WIC 01M est disposée à être enregistrée par la télécommande, de nouveau. WIC 01M reste dans cet état pendant environ 10 minutes.
 - Si l'on n'exécute pas ce ré-enregistrement de WIC 01M, elle restera non-enregistrée jusqu'à ce que le nouvel enregistrement ait lieu.
17. Appuyer sur le "Prêt"  de la télécommande.
 - Maintenant, la télécommande est en mode "AUTOENREGISTREMENT". Maintenant, elle enregistre automatiquement la fenêtre. Dès que cela est atteint, la fenêtre va cesser d'aller-et-venir et va se fermer. La télécommande reste dans cet état pendant environ 1 minute.
18. L'écran affiche le produit enregistré – par ex. : "Fenêtre n°1 ". Dans ce cas, cette dernière peut être désormais actionnée. Ce nouveau produit est alors disposé dans le réglage "Maison".




La fenêtre nouvellement enregistrée va s'établir automatiquement à la suite d'autres produits précédemment enregistrés. S'il y a par ex. deux fenêtres précédemment enregistrées, elle va s'établir en tant que "Fenêtre - N°3".

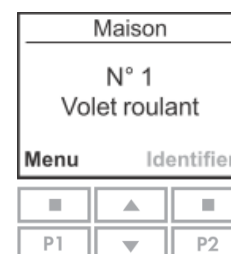
Un dispositif de protection solaire éventuellement raccordé, comme par ex. une persienne, sera également enregistré.

Installation en seconde monte de dispositifs de protection solaire

Il est possible d'enregistrer des dispositifs de protection solaire avec une télécommande unidirectionnelle, mais il est vivement conseillé de toujours au préalable enregistrer ses produits dans une télécommande bidirectionnelle. Les présentes instructions ne valent que pour l'installation de dispositifs de protection solaire avec une télécommande bidirectionnelle.

Les protections solaires non-enregistrées seront après raccordement à la WIC 01M en état d'enregistrement dès la mise sous tension. Ils resteront dans cet état pendant environ 10 minutes. Les instructions pour le raccordement d'une protection solaire sont les suivantes :

7. Monter la protection solaire si cela n'est déjà fait.
8. La WIC 01M doit être débranchée du secteur.
9. Raccorder tous les câbles.
10. Brancher la WIC 01M au secteur
11. Sur la télécommande, on sélectionne  "Menu".
12. Puis on déroule dans le menu : Réglages système -> Enregistrer produit.
 - Maintenant, la télécommande est en mode "AUTOENREGISTREMENT". Maintenant, elle enregistre automatiquement le dispositif de protection solaire raccordé.



Maintenant, le dispositif est enregistré. Cela apparaîtra à l'affichage par ex. en tant que " Volet roulant – N° 1".

Si l'on souhaite commander des protections solaires à l'aide d'une télécommande unidirectionnelle, la configuration est maintenant possible. Les instructions pour exécuter cette configuration se trouvent dans le manuel fourni de la télécommande.

Remise à zéro

Dans cette section, on vous explique comment une WIC 01M peut être remise à zéro. Dans des circonstances habituelles, cela ne devrait pas s'avérer nécessaire.

4. Appuyer une fois brièvement sur le Bouton programme de WIC 01M.
5. Maintenir appuyé le bouton de programme pendant environ 5-10 secondes jusqu'à ce que le moteur commence à tourner en avant et en arrière.
 - Le moteur fera cela pendant environ 30 secondes. Après quoi, la fenêtre se fermera et le moteur s'arrêtera.
6. Débrancher la WIC 01M du secteur.
 - WIC 01M a maintenant été remise à zéro et prête à être ré-enregistrée.

Si le dispositif de protection solaire ainsi que le moteur de fenêtre sont tous les deux montés, ces deux produits pourront être remis à zéro en suivant la procédure ci-dessus.

Declaration of conformity Konformitätserklärung Overensstemmelseserklæring

MotorController WIC 01M

Declaration of conformity

In accordance with the Council Directive 2006/95/EEC

We herewith declare that the WindowMaster MotorController WIC 01M.

- Is in conformity with the provisions of Low Voltage Directive 2006/95/ECC, R&TTE Directive 2006/122/ECC and EMC Directive 2004/108/ECC as amended, and
- has been manufactured according to the following harmonized standards: EN 61558-1, EN 55022, EN 55024, EN 55014-1, EN 55014-2, EN 61000-3-2, EN 61000-3-3 and EN 301489-2

Konformitätserklärung

Laut der Richtlinie des Rates 2006/95/EWG

Wir erklären hiermit, dass der WindowMaster MotorController WIC 01M.

- der Niederspannungsrichtlinie 2006/95/EWG, der R&TTE Direktive 2006/122/EWG und der EMV-Richtlinie 2004/108/EWG entspricht inklusive deren Änderungen, sowie
- gemäß den harmonisierten Normen EN 61558-1, EN 55022, EN 55024, EN 55014-1, EN 55014-2, EN 61000-3-2, EN 61000-3-3 und EN 301489-2 hergestellt ist

Déclaration de Conformité

Selon la Directive du Conseil 2006/95/CEE

Nous déclarons que l'unité de MotorController WindowMaster WIC 01M.

- est conforme aux dispositions de la Directive Basse Tension 2006/95/CEE, R&TTE Directive 2006/122/CEE et Directive EMC 2004/108/CEE et leurs amendements ultérieurs et
- a été fabriqué selon les Normes harmonisées EN 61558-1, EN 55022, EN 55024, EN 55014-1, EN 55014-2, EN 61000-3-2, EN 61000-3-3 et EN 301489-2


Overensstemmelseserklæring

I henhold til Rådets direktiv 2006/95/EF

Vi erklærer hermed, at WindowMaster MotorController WIC 01M.

- er i overensstemmelse med Lavspændingsdirektivet 2006/95/EF, R&TTE Direktivet 2006/122/EF og EMC-direktivet 2004/108/EF med seneste ændringer og
- er fremstillet i overensstemmelse med de harmoniserede standarder EN 61558-1, EN 55022, EN 55024, EN 55014-1, EN 55014-2, EN 61000-3-2, EN 61000-3-3 og EN 301489-2

WindowMaster A/S:



(Jan Norup, Head of Group Product Management)

Skelstedet 13, DK-2950 Vedbæk, 9 September 2011

Declaration no. 039 2011-09-09 CE

Remote control / Fernbedienung / Fjernbetjening WIR 100

Declaration of conformity

In accordance with the Council Directive 2006/95/EEC

We herewith declare that the WindowMaster Remote control WIR 100

- Is in conformity with the provisions of Low Voltage Directive 2006/95/EEC, R&TTE Directive 2006/122/EEC and EMC Directive 2004/108/EEC as amended, and
- has been manufactured according to the following harmonized standards: EN 55022, EN 55024, EN 300220-1, EN 300220-2, EN 301489-3 and EN 62233

Konformitätserklärung

Laut der Richtlinie des Rates 2006/95/EWG

Wir erklären hiermit, dass der WindowMaster Fernbedienung WIR 100

- der Niederspannungsrichtlinie 2006/95/EWG, der R&TTE Direktive 2006/122/EWG und der EMV-Richtlinie 2004/108/EWG entspricht inklusive deren Änderungen, sowie
- gemäß den harmonisierten Normen EN 55022, EN 55024, EN 300220-1, EN 300220-2, EN 301489-3 und EN 62233 hergestellt ist

Déclaration de Conformité

Selon la Directive du Conseil 2006/95/CEE

Nous déclarons que l'unité de commande à distance WindowMaster WIR 100

- est conforme aux dispositions de la Directive Basse Tension 2006/95/CEE, R&TTE Directive 2006/122/CEE et Directive EMC 2004/108/CEE et leurs amendements ultérieurs et
- a été fabriqué selon les Normes harmonisées EN 55022, EN 55024, EN 300220-1, EN 300220-2, EN 301489-3 et EN 62233


Overensstemmelseserklæring

I henhold til Rådets direktiv 2006/95/EF

Vi erklærer hermed, at WindowMaster fjernbetjening WIR 100

- er i overensstemmelse med Lavspændingsdirektivet 2006/95/EF, R&TTE Direktivet 2006/122/EF og EMC-direktivet 2004/108/EF med seneste ændringer og
- er fremstillet i overensstemmelse med de harmoniserede standarder EN 55022, EN 55024, EN 300220-1, EN 300220-2, EN 301489-3 og EN 62233

WindowMaster A/S:



(Jan Norup, Head of Group Product Management)

Skelstedet 13, DK-2950 Vedbæk, 22 September 2011

Declaration no.038 2011-09-22 CE