

CE

User manual
Gebrauchsanleitung
Mode d'emploi
Gebruikershandleiding

3.03
03/2015



TRACK 

wheelz ahead[®]

LET'S GET MOVING

User manual	2
Contents	3
1 General information on your rollator	4
2 Technical specifications	7
3 Guide to safe use of your rollator	8
4 How to operate your rollator	11
5 Warranty	17
Gebrauchsanleitung	19
Inhaltsverzeichnis	21
1 Allgemeine Erläuterung Ihres Rollators	22
2 Technische Spezifikationen	25
3 Sicher Ihren Rollator benutzen	26
4 Anleitung für den Gebrauch Ihres Rollators	29
5 Garantie	35
Mode d'emploi	37
Index	39
1 Informations générales de votre rollator	40
2 Fiche technique	43
3 Sécurité	44
4 Utilisation	47
5 Garantie	53
Gebruikershandleiding	55
Inhoudsopgave	57
1 Algemene toelichting op uw rollator	58
2 Technische specificaties	61
3 Veilig gebruik maken van uw rollator	62
4 Uitleg over het gebruik van uw rollator	65
5 Garantie	71

Congratulations on your WheelzAhead® rollator purchase!

Before you start using the rollator we ask that you, and your accompaniment, carefully read this manual. If you have questions about the rollator or the content of this manual, please get in touch with WheelzAhead®.

The production process of your rollator has been TÜV certified and adheres to the ISO 13485 regulations.

WheelzAhead® hereby declares that your rollator adheres to the European guidelines for medical support products 93/42/EEG and 2007/47/EEG.



© Copyright 2013 WheelzAhead® BV

The information in this document can be changed or modified at any time and without prior notice. WheelzAhead USA, LLC cannot be held responsible for inaccuracies, typographical errors or photographic errors in this document.

Contents

1	General information on your rollator	4
2	Technical specifications	7
3	Guide to safe use of your rollator	8
4	How to operate your rollator	11
5	Warranty	16

1 General information on your rollator

What have I purchased?

You have purchased a foldable, light weight rollator. This rollator is meant for both indoor as well as outdoor use for those that are mobile to a lesser degree.

Where can I find the rollator's serial number?

On the cross bars underneath the seat you will find a sticker with the serial number of your rollator on it.

What is the maximum allowed weight my rollator can carry?

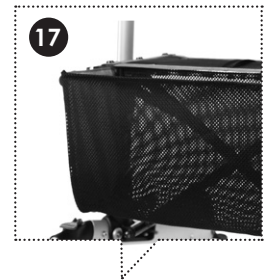
The maximum allowed weight is 135Kg. This includes any luggage in the designated compartments that are being carried with the rollator.

When do I use the rollator?

The TRACK> rollator supports people who are limited in their mobility indoors, while shopping or walking outdoors.

The main goal of the TRACK> rollator is to make people who are limited in their mobility more mobile.

What does the rollator consist of?



Warning!

To avoid danger of suffocation, keep this plastic bag away from babies and children. Do not use this bag in cribs, beds, carriages or play pens. This bag is not a toy.

- | | | | |
|----|-------------------------------------|----|-------------------------------|
| 1 | Ergonomic handlebars | 12 | Reflectors |
| 2 | Hand brake / Parking brake | 13 | Front wheels, locking ability |
| 3 | Adjustable and removable back strap | 14 | Rear wheels |
| 4 | Walking stick holder | 15 | Elevation pedal |
| 5 | Lamp | 16 | Wheel brake |
| 6 | Seat | 17 | Mesh bag |
| 7 | Adjustable bagholder | 18 | Shoulder bag |
| 8 | Cross bars | 19 | Travel bag |
| 9 | Height adjustment | 20 | Pouch |
| 10 | Frame lock | 21 | Insert for name tag |
| 11 | Castor wheels | 22 | Trayplate |

2 Technical specifications

TRACK_>

Length	700 mm / 27.90"
Total width	635 mm / 25"
Width between the handles	500 mm / 19.68"
Height	805 - 935 mm / 31.69 – 36.81"
Measurements when folded	680 x 250 x 810 mm 26.49" x 9.27" x 31.57"
Height of seat	560 mm / 22.04"
Width of seat	460 mm / 18.11"
Depth of seat	225 mm / 8.85"
Total weight with accessories	8,5 Kg / 17.64 Lbs
Total weight without accessories	7,4 Kg / 15.43 Lbs
Maximum load bearing capacity	5 Kg / 11 Lbs

Materials

Frameparts: Aluminium anodised

Connecting parts: Polyamid (PA6) glasfiber reinforced

Brake handles: Polyamid (PA6) glasfiber reinforced

Back belt: Plastic (Polyester), EPE foam, mesh nylon

Wheels: PU (Tire), PP (Rim)

Seating: Mesh nylon

Handles: Polyamid (PA6) glasfiber reinforced with PVC

Tray: Polycarbonate (PC)

3 Using your rollator safely

Should I check anything before use?

Always make sure that the following questions can be answered affirmatively before using the rollator:

- Are the brakes working properly?
- Is the frame lock properly attached?
- Is the seat fully unfolded?

When can I take part in traffic?

It is important that you practice using the rollator well before taking part in traffic.

Would adjustments to the rollator affect its safety?

Adjustments may negatively influence the safe use of the rollator.

WheelzAhead® will no longer vouch for the rollator's quality if adjustments are made and the warranty will be void.

When is my rollator at risk of tipping over?

This is possible in the following situations:

- You are on a slanting surface
- When riding onto and off sidewalks
- On irregular ground, around drains for instance
- You are over-reaching to grab something in front of, behind or next to the rollator

Practice walking with the rollator on a slanting surface as well as getting on and off sidewalks. By shifting the weight of your upper body slightly forwards or backwards, you change the rollator's center of gravity. This way you can safely mount a small obstacle. Should you be in doubt, never attempt to do this without assistance.

When do I put on the parking brakes?

You should always secure the parking brakes in the following cases:

- When you are sitting down on the rollator
- When you are getting out of the rollator
- In a lift or on a wheelchair lift
- When stopping on an uneven surface

How do I adjust the brakes?

This is essentially the same process as adjusting the brakes of a bicycle. On the bottom of the frame, close to the rear wheel, you will find the end of the braking cable. By turning the screw at the end, you can adjust the braking cable, tighter or looser. Should you have any doubts about the tension of the braking cable or about general brake functioning, please cease using the rollator until you have consulted a professional.

What should I consider when reaching for item in front of, next to or behind the rollator?

The main thing to take into account is never to shift the center of balance too much when reaching for items; this may tip over the rollator. Always pay attention to the following:

- Place the rollator as closely as possible to what it is you want to pick up
- Make sure the castor wheels are aimed forward and secured
- Put the rollator on its parking brakes

How do I get up and down stairs?

Do not attempt to go up or down stairs while leaning on the rollator. Fold up the rollator and carry it up or down. Neither attempt to use the rollator on an escalator.

How to manage or navigate a step or curb?

The foot lever helps you to overcome a step or curb.

First you roll the TRACK> up against the step or curb with both front wheels. Then you push with one of your feet down on the foot lever while gently pulling back on the handle bars. The front wheels will now lift from the ground. Make sure you are in a stable position while doing this. Now push the TRACK> forward, over and on the step or curb. Once the front wheels are on the higher surface, you can lower them and regain support. Keep pushing the TRACK> forward until the rear wheels are also securely on the elevated surface. In case you doubt your ability to overcome such an obstacle, wait for help or assistance. Never try to overcome an obstacle on your own in such a case.

For whom is the TRACK> not suited?

The TRACK> is not meant to be used by people who:

- Have severe balance disorders
- Have severe perception disorders
- Have problems while sitting

Any other tips?

- If you leave the rollator out in the sun for some time, the metal parts may heat up considerably
- Bright and/or reflective clothing will much increase your visibility in traffic
- Be careful with fire and burning cigarettes

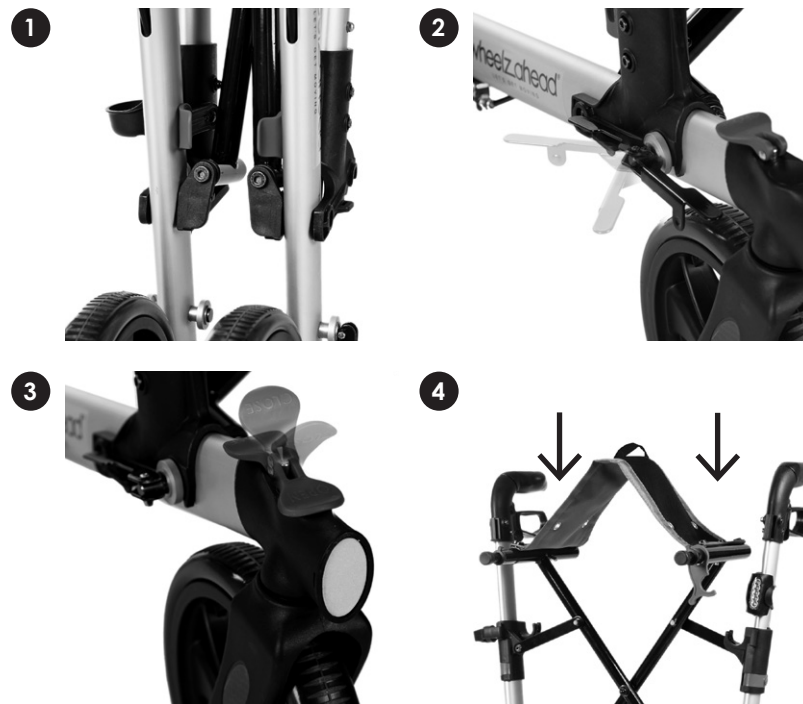
4 How to operate your rollator

How do I unfold the rollator?

Your rollator is ready for use in 3 steps:

- 1 Place the rollator endwise and press the 2 red clips inwards one by one
Now you can move the back wheels of the rollator towards the ground
- 2 Secure the frame lock
- 3 Unlock the front wheels
- 4 Separate the handles and push the seat down until it clicks in place.

Note: The frame lock needs to be tightened before the rollator can be unfolded.

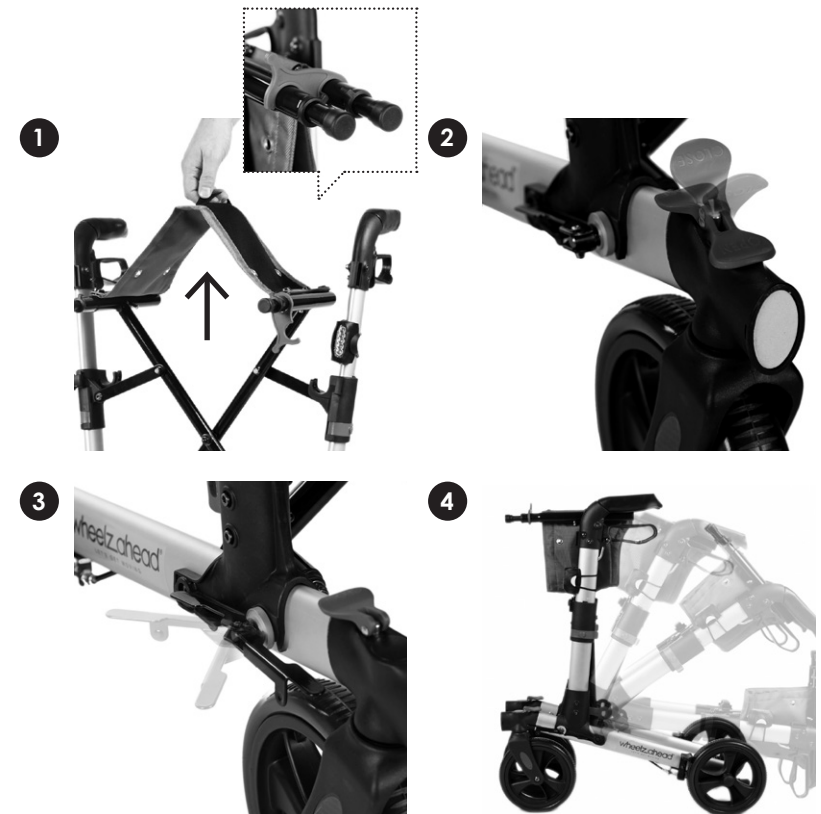


How do I fold the rollator back up?

The rollator is as easy to – quite literally – double up as it is to unfold it:

- 1 Lift the seat by the loop so that both sides of the rollator come together and secure them with the red clip
- 2 Secure the front wheels
- 3 Open the frame lock by taking the handle out and moving it forward
- 4 Now you can move the handle bars toward the rear wheels and you will hear 2 confirming clicks.

Note: The frame lock needs to be loosened before the rollator can be folded.

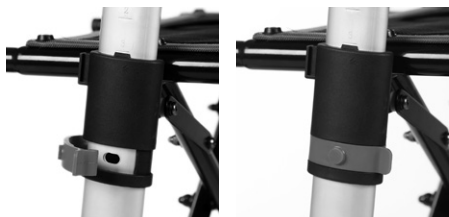


How do I adjust the handles in height?

On the outside of your rollator's frame you will find 6 different positioning options for your handles. To come to the correct height please mind the following:

- Stand between the rear wheels
- Try to stand as upright as possible
- The arms should hang loosely from relaxed shoulders
- The handles are to be set at wrist height
- The elbows should be lightly bent when you hold the handles
- Please make sure to always have the handlebars at the same height for improved stability.

Note: Do not adjust the handles when the rollator is folded up twice.



How to secure the mesh bag?

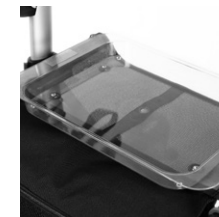
The attachment points for both the shoulder bag and mesh bag are the same. To secure the mesh bag, pull out both attachment points. They will automatically stop at the correct length. Now secure the bag on both sides by putting the loops of the bag around the attachment points on the TRACK>. Pull on the black handles from the mesh bag to secure the velcro to make sure the bag will stay in place. Your mesh bag is now ready to be used.

Note: when you have secured the mesh bag, please be sure to empty it completely before folding the TRACK> rollator.



How do I place the tray plate?

Underneath the tray plate you will find 4 pins. These pins fall into the ringed holes in your seat. By placing the pins into the ringed holes you prevent the tray plate from sliding off your seat while using the rollator. Do always check if the tray plate is placed correctly before using your rollator with tray plate.



What is the proper posture when walking behind the rollator?

In order to come to the right posture behind the rollator, please mind the following:

- Try to walk as upright as possible
- Stay close to the rollator when using it
- Do not lean on the handles too much
- Make sure you can reach and apply the brakes at all times
- Prevent a crooked posture due to fatigue

When tired, sit down for a moment and recuperate. You need enough balance and strength in both arms and legs to be able to walk around with a rollator, you also need a pair of sturdy (laced up) shoes and proper eye sight. Wear glasses if necessary.

What should I pay attention to when walking with the rollator inside or outside?

Walking with the rollator inside requires the following:

- Make sure you have enough space to move around; have furniture moved if necessary
- Remove any unsecured rugs and thresholds
- Sufficiently light all rooms that you enter (including the hallway)

Walking with the rollator outside requires the following:

- Beware of loose tiles and stones on sidewalks
- Properly lift your legs to prevent tripping
- Opt for having your fingers on the brakes at all times so you can brake immediately should you trip
- Make as much use as possible of wheelchair provisions on the edges of sidewalks when getting on or off pavements
- Take a rest when necessary (make sure to secure the brakes first)

Also take into account that you may need a bit more time crossing the road.

How do I use the parking brakes?

By moving the brake handle down until it clicks into place, you secure the rollator's parking brakes. The rear wheels of the rollator are now secured. When you move these handles back up, you deactivate the parking brakes.



How do I lock and unlock the front wheels?

On top of the frame above each wheel fork you will find a red clip which you can move forward 'OPEN' and backward 'CLOSE'. By placing the clip in the 'OPEN' position you unlock the front wheels and the front wheels will move along with the rollator. By placing the clip in the 'CLOSE' position you will lock the front wheels and the front wheels will not move along with the rollator.

How am I to take care of my rollator?

Weekly:

- Check if the brakes are still functioning properly

Every 3 months:

- Check if the cross frame still allows for easy unfolding
- Check if all bolts and screws are secure
- Loose screws have to be fixed and secured with Loctite 435.

Please adhere the produces user manual

- Check the tire surfaces for wear, tear and any uneven areas
- Check the front and rear wheels for wheel clearance

All hinged parts are easily kept functioning smoothly by lubricating them regularly.

How do I keep my rollator clean?

With a mild soap and water you can keep textiles, frame and polymer parts clean. We also recommend you to wax the frame from time to time.

Never use:

- Abrasive products
- Pressure cleaner
- Steam
- Abrasive or corrosive wax
- Aggressive chemicals
- Silicone spray

Always dry the rollator carefully in case it got doused in water or rain.

Re-use

The TRACK> rollator can be re-use by others. Before re-use the rollator must be thoroughly cleaned en disinfected. The rollator must be checked for user safety and approved by an authorised dealer.

5 Warranty

1. WheelzAhead® warrants that, during the Warranty Period, the Product will, with normal use and service, be free from faulty parts, manufacture defects or workmanship errors.
2. The TRACK® Rollator comes with a 24 month warranty on the frame and the cross bars, starting from the date of purchase by the original buyer. Any manufacturer defects (production errors or material failure) also carry a warranty of 24 months.
3. This warranty is valid only for Products that are purchased new and unused directly from WheelzAhead® or from authorized third party resellers or distributors.
4. The Customer must provide the original proof of purchase and the serial number of the Product which demonstrates compliance with the above conditions to receive any services under this warranty.
5. The warranty is non-transferable.
6. This warranty only applies where a defect has arisen, wholly or substantially, as a result of faulty manufacture, parts or workmanship during the Warranty Period.
7. The warranty does not apply where damage is caused by other factors, including without limitation:
 - A normal wear and tear;
 - B abuse, mishandling, accident or failure to follow operating instructions;
 - C servicing or modification of the Product other than by WheelzAhead®, or their authorized service agents;
 - D use of the Product with other accessories, attachments, product supplies, parts or devices that do not conform to WheelzAhead® specifications; or
 - E shipment or other transit.
8. This warranty does not cover:
 - A the replacement of any consumables such as tires, brake pads, brake cables, textiles, etc.
 - B repair or replacement of any Product damaged during transit to or from WheelzAhead® ; or
 - C any loss or consequential damage incurred while the Product is being repaired.
9. Instructions for making a warranty claim are included in the enclosed materials. If the warranty claim is not accepted:
 - A WheelzAhead® will inform the Reseller, Distributor or the Customer in case of a purchase directly from WheelzAhead®;

- B if requested to do so by the Customer, the Reseller, Service Agent, Distributor or WheelzAhead® in case of a purchase directly from WheelzAhead®, will repair the Product provided you pay the standard charges for such repair; and
- C if applicable the Customer will be responsible for all costs associated with collection of the Product from the Reseller, Service Agent, Distributor or WheelzAhead® in case of a purchase directly from WheelzAhead®.

Making a warranty claim

Please contact your Reseller, Distributor or WheelzAhead® in case of a purchase directly from WheelzAhead®, by phone or email to make a warranty claim.

- A You must inform your Reseller, Distributor or WheelzAhead® in case of a purchase directly from WheelzAhead® as soon as the warranty claim arises.
- B You must send to your Reseller, Distributor or WheelzAhead® in case of a purchase directly from WheelzAhead®, your original proof of purchase, your serial number and your written description of the fault (including image samples and any other relevant material); and
- C Subject to the applicable consumer laws in your jurisdiction, you must pay for all packing, freight and insurance costs for transit of the Product to your Reseller, Distributor or WheelzAhead® in case of a purchase directly from WheelzAhead®.
- D If the warranty claim is accepted your Reseller, Distributor or WheelzAhead® in case of a purchase directly from WheelzAhead® will, subject to the applicable consumer laws in your jurisdiction, at its cost: repair or replace any faulty parts or rectify any faulty workmanship; and return the Product to you.

WheelzAhead® BV

Polehof 38
6681 JB Bommel, Netherlands
+31(0)481 - 45 01 10
office@wheelzahead.com
WheelzAhead.com

CoC 53888332
VAT NL851059867B01

Gebrauchsanleitung



Wir beglückwünschen Sie zum Ankauf dieses WheelzAhead® Rollators!

Bevor Sie Ihren Rollator nutzen, bitten wir Sie und Ihren eventuellen Begleiter, erst die beigefügte Gebrauchsanleitung aufmerksam durchzulesen.

Falls Sie Fragen bezüglich des Rollators oder des Inhaltes dieser Gebrauchsanleitung haben, können Sie sich an WheelzAhead® wenden.

Das Produktionssystem Ihres Rollators wurde vom TÜV zertifiziert und entspricht den ISO 13485 Richtlinien.

WheelzAhead® erklärt hiermit, dass Ihr Rollator den europäischen Richtlinien für medizinische Hilfsmittel 93/42/EEG und 2007/47/EEG entspricht.



© Copyright 2013 WheelAhead® BV

Informationen in diesem Dokument können ohne Ankündigung angepasst werden.

WheelzAhead® BV ist nicht haftbar für technische Fehler oder Unvollständigkeiten.

Inhaltsverzeichnis

1	Allgemeine Erläuterung Ihres Rollators	20
2	Technische Spezifikationen	23
3	Sicher Ihren Rollator benutzen	24
4	Anleitung für den Gebrauch Ihres Rollators	27
5	Garantie	32

1 Allgemeine Erläuterung Ihres Rollators

Was habe ich gekauft?

Sie haben einen faltbaren, leichten Rollator gekauft. Dieser Rollator für Personen mit eingeschränkter Mobilität kann sowohl draußen wie drinnen benutzt werden.

Wo finde ich die Seriennummer des Rollators?

Auf der Kreuzstange unter dem Sitz befindet sich ein Sticker, auf dem die Seriennummer Ihres Rollators steht.

Was ist das höchstzulässige Gewicht?

Das höchstzulässige Gewicht beträgt 135 Kg. Eventuelles Gepäck in den Staufächern und andere Artikel, die mit dem Rollator transportiert werden, sind darin inbegriffen.

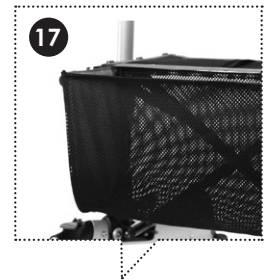
Indikation

Der Rollator TRACK> unterstützt bewegungseingeschränkte Personen beim Gehen im häuslichen Bereich, beim Einkaufen oder Spazieren gehen im Freien.

Zweckbestimmung

Der Rollator TRACK> dient der Mobilitätssteigerung vom gehbehinderten Menschen/Personen.

Wie ist der Rollator aufgebaut?



Warnung!

Halten Sie Plastikverpackungen außer Reichweite von Kindern. Bei Verschlucken der Folie besteht Erstickungsgefahr. Das Verpackungsmaterial sofort entsorgen.

- | | |
|---|-----------------------------------|
| 1 Ergonomische Handgriffe | 12 Reflektoren |
| 2 Handbremse / Feststellbremse | 13 Vorderrad, Klammer möglichkeit |
| 3 Verstellbares, abnehmbares Rückenband | 14 Hinterrad |
| 4 Gehstockhalter | 15 Zugpedale |
| 5 Lampe | 16 Radbremse |
| 6 Sitz | 17 Netztasche |
| 7 Verstellbare Taschenbefestigung | 18 Transporttasche |
| 8 Kreuzrahmen | 19 Tragetasche |
| 9 Höhenverstellung | 20 Tasche für Rückenband |
| 10 Rahmenschloss | 21 Namensetikett |
| 11 Laufradschloss | 22 Tablett |

2 Technische Spezifikationen

TRACK

Länge	700 mm
Gesamtbreite	635 mm
Breite zwischen den Handgriffen	500 mm
Höhe	805 - 935 mm

Maße gefaltet 680 x 250 x 810 mm

Sitzhöhe	560 mm
Sitzbreite	460 mm
Sitztiefe	225 mm

Gesamtgewicht mit Zubehör	8,5 Kg
Gesamtgewicht ohne Zubehör	7,4 Kg

Maximale Tragfähigkeit der Transporttasche 5,0 kg

Materialien

Rahmenteile: Aluminium eloxiert

Verbindungsteile: Polyamid (PA6) glasfaserverstärkt

Bremsgriffe: Polyamid (PA6) glasfaserverstärkt

Rückenband: Kunststoff (Polyester), EPE Schaum, mesh nylon

Räder: PU (Lauffläche), PP (Speichen)

Sitzfläche: Mesh nylon

Schiebegriffe: Polyamid (PA6) glasfaserverstärkt mit PVC

Tablett: Polycarbonat (PC)

3 Sicher Ihren Rollator benutzen

Muss ich noch etwas kontrollieren, bevor ich losfahre?

Nachfolgende Fragen müssen Sie vor Gebrauch immer bejahen können:

- Funktionieren die Bremsen vorschriftsmäßig?
- Ist das Rahmenschloss gut befestigt?
- Ist der Sitz vollständig ausgeklappt?

Wann kann ich am Verkehr teilnehmen?

Es ist wichtig, dass Sie den Gebrauch Ihres Rollators erst gut üben, bevor Sie damit am Verkehr teilnehmen.

Beeinflussen Anpassungen am Rollator dessen Sicherheit?

Anpassungen können die Sicherheit Ihres Rollators negativ beeinflussen.

WheelzAhead® kann die Qualität Ihres Rollators nicht weiter garantieren, wenn daran Anpassungen vorgenommen wurden. Auch verfällt die Garantie, sobald am Rollator Anpassungen vorgenommen wurden.

Kann mein Rollator umkippen?

In folgenden Situationen besteht diese Möglichkeit:

- Sie befinden sich auf einer schiefen Ebene
- Beim Auf- und Abfahren von Gehwegen
- Auf unebener Fläche, zum Beispiel Löcher oder Kuhlen
- Wenn Sie nach Dingen reichen, die sich zu weit vor, hinter oder neben dem Rollator befinden

Üben Sie unter Begleitung sowohl das Fahren auf einer schiefen Ebenen wie auch das Auf- und Abfahren von Gehwegen. Sie können den Schwerpunkt des Rollators verlegen, indem Sie Ihren Oberkörper nach vorne oder hinten bewegen. So können Sie Hindernisse sicherer nehmen. Nehmen Sie nie ein Hindernis ohne Begleitung, wenn Sie zweifeln.

Wann benutze ich die Feststellbremse?

In nachfolgenden Situationen benutzen Sie immer beide Bremsen:

- wenn Sie sich auf den Rollator setzen
- wenn Sie vom Rollator aufstehen
- in einem Fahrstuhl oder auf einem Rollstuhllift
- wenn Sie auf einer unebenen Fläche anhalten

Wie stelle ich die Bremsen ein?

Das geht eigentlich wie bei einem Fahrrad. An der Unterseite des Rahmens, dicht beim Hinterrad, befindet sich das Ende des Bremskabels. Indem Sie die Schraube am Ende drehen, wird das Bremskabel straffer oder loser gespannt. Wenn Sie an der Spannung der Bremskabel oder der Bremsfunktion im Allgemeinen zweifeln, lassen Sie den Rollator von einem Fachmann kontrollieren, bevor Sie ihn benutzen.

Worauf muss ich achten, wenn ich nach etwas vor, hinter oder neben dem Rollator reichen will?

Es ist wichtig, dass Sie den Schwerpunkt nicht zu viel verlagern, wenn Sie nach etwas reichen; dadurch kann der Rollator umkippen. Achten Sie immer auf folgende Punkte:

- stellen Sie den Rollator so nahe wie möglich an das betreffende Objekt heran
- die Schwenkräder müssen nach vorne gerichtet und verriegelt sein
- ziehen Sie die Feststellbremse des Rollators an

Wie gehe ich eine Treppe auf und ab?

Lehnen Sie sich nicht auf den Rollator, wenn Sie eine Treppe auf oder abgehen. Falten Sie den Rollator ein und heben Sie ihn nach oben oder unten oder bitten Sie jemanden um Unterstützung.

Benutzen Sie den Rollator auch nicht auf einer Rolltreppe.

Wie überwinde ich eine Tüschwelle, eine Stufe oder eine Straßenkante?

Das Hebepedal hilft Ihnen beim Überwinden einer Schwelle oder einer Kante. Zunächst stellen Sie den TRACK> mit beiden Vorderrädern an die Schwelle oder Kante. Danach drücken Sie das Pedal zum Anheben mit dem Fuß nach unten während Sie den TRACK> etwas nach hinten ziehen. Die Vorderräder heben sich nun vom Boden ab. Nun schieben Sie den TRACK> soweit nach vorne, bis er die Schwelle oder die Kante sichtbar passiert hat. Sie können die Vorderräder wieder herunter lassen und den TRACK> weiterschieben schieben, bis Sie auch die Hinterräder über die Schwelle oder die Kante bewegt haben. Sollten Sie dabei Zweifel haben, Überwinden Sie ein Hindernis nie ohne Begleitung.

Wann ist der TRACK> nicht für mich geeignet?

Der TRACK> ist nicht für Menschen geeignet mit:

- starken Gleichgewichtsstörungen ;
- Wahrnehmungsstörungen;
- Problemen beim Sitzen.

Noch andere Tips?

- Wenn Sie Ihren Rollator längere Zeit in der Sonne stehen lassen, können die Metallteile heiß werden
- Mit auffallender und/oder reflektierender Kleidung fallen Sie im Verkehr besser auf
- Manövrieren Sie immer vorsichtig, wenn die Tasche schwer beladen ist.
- Stellen Sie sich nie auf den Rollator und benutzen Sie ihn auch nicht als Rollstuhl
- Der Rollator eignet sich nicht dafür, den Benutzer sitzend mit den Füßen nach vorne vorwärts fortzubewegen
- Passen Sie auf mit Feuer und brennenden Zigaretten

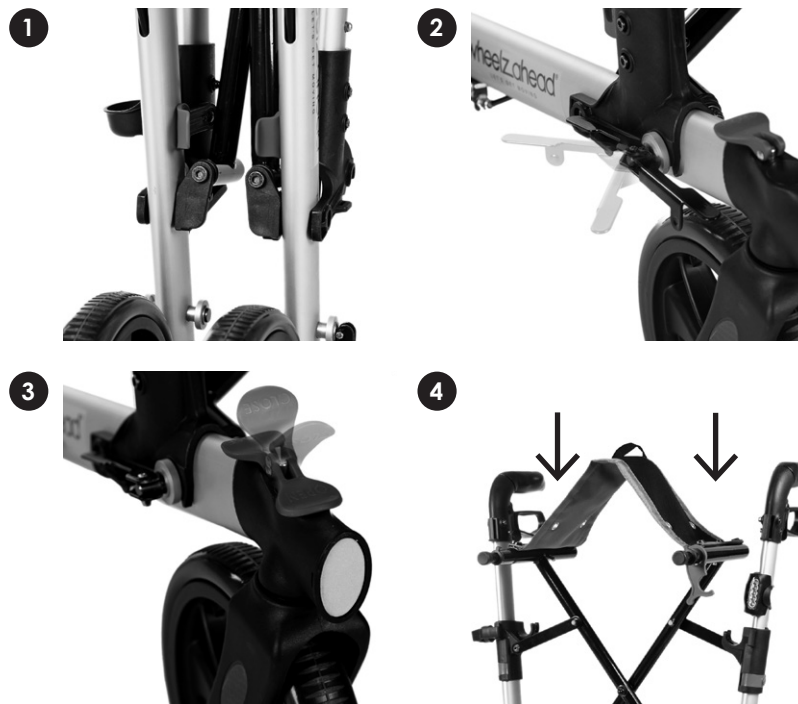
4 Anleitung für den Gebrauch Ihres Rollators

Wie klappe ich den Rollator aus?

Ihr Rollator ist in drei Schritten gebrauchsfertig:

- 1 Stellen Sie den Rollator aufrecht hin, drücken Sie die roten Clips nacheinander nach innen und bewegen Sie die Hinterräder des Rollators in Richtung Boden.
- 2 Machen Sie das Rahmenschloss fest.
- 3 Entriegeln Sie die Vorderräder
- 4 Ziehen Sie die Handgriffe auseinander und drücken Sie den Sitz nach unten bis er 'einklickt'.

Achtung: Das Rahmenschloss muss verriegelt werden bevor Sie den Rollator auseinander klappen können.

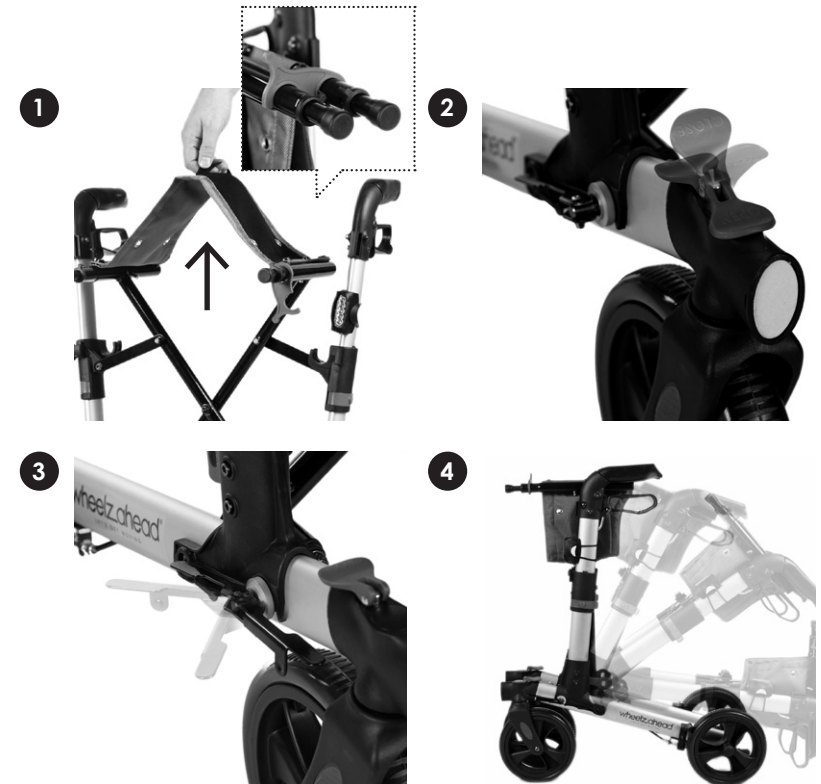


Wie klappe ich den Rollator ein?

Der Rollator lässt sich genauso einfach zusammenfallen wie er sich ausklappen lässt:

- 1 Ziehen Sie den Sitz an den Schlaufen nach oben, sodass die Seiten des Rollators sich nach innen bewegen und befestigen Sie den roten Clip.
- 2 Verriegeln Sie die Vorderräder.
- 3 Öffnen Sie das Rahmenschloss indem Sie den Hebel aus dem Verschluss ziehen und nach vorne bewegen.
- 4 Jetzt können Sie die Handgriffe in Richtung der Hinterrreifen bewegen. Und Sie hören zweimal ein 'Kontrollklicken'.

Achtung: Das Rahmenschloss muss geöffnet werden bevor Sie den Rollator doppelt zusammenklappen können.



Wie verstelle ich die Handgriffe in der Länge?

An der Außenseite des Rahmens sehen Sie die sechs Stände der Handgriffe.

Um die richtige Höhe einzustellen, achten Sie bitte auf folgende Punkte:

- Stellen Sie sich zwischen die zwei Hinterräder
- Stehen Sie so aufrecht wie möglich
- Die Arme sollen mit entspannten Schultern entlang des Körpers hängen
- Die Handgriffe müssen bis zu den Handgelenken reichen
- Die Ellbogen sind leicht angewinkelt wenn Sie die Handgriffe festhalten

ACHTUNG: Verwenden Sie die Höhenverstellung nicht, wenn der Rollator zweifach gefaltet ist.



Wie befestige ich die Netztasche?

Die Befestigung für die Transporttasche und die der Netztasche ist gleich.

Für die Befestigung der Netztasche ziehen Sie die Enden der Befestigungsstücke etwas heraus. Diese stehen nun von alleine in der richtigen Position.

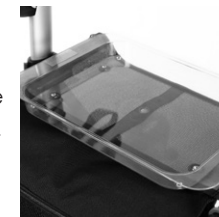
Die Befestigungsstücke stecken Sie durch die grauen Laschen der Netztasche. Danach legen Sie die Netztasche über die Befestigung um diese am Klettband anzubringen. Ihre Netztasche ist nun fertig für den Gebrauch!

ACHTUNG: Wenn Sie eine Transporttasche befestigt haben, leeren Sie diese vollständig bevor Sie den Rahmen einklappen.



Wie befestige ich das Tablett?

An der Unterseite des Tablett finden Sie 4 herausstehende kleine Stäbe. Diese Stäbe passen in die runden Öffnungen in Ihrem Sitz. Durch das Einstecken der Stäbe in die Öffnungen am Sitz verhindern Sie, dass das Tablett sich verschiebt. Kontrollieren Sie immer, ob das Tablett richtig am Sitz befestigt ist, bevor Sie den Rollator mit dem Tablett verwenden.



Was ist die richtige Haltung, wenn Sie hinter dem Rollator laufen?

Achten Sie auf folgende Punkte für die richtige Körperhaltung hinter dem Rollator:

- Laufen Sie so aufrecht wie möglich
- Bleiben Sie während des Laufens nahe am Rollator dran
- Lehnen Sie sich nicht zu viel auf die Handgriffe
- Sie müssen immer die Bremse bedienen können
- Vermeiden Sie, dass Sie durch Ermüdung krummlaufen

Setzen Sie sich regelmäßig, damit Sie sich ausruhen können. Sie benötigen ausreichend Gleichgewichtsgefühl und Kraft in Armen und Beinen um mit einem Rollator laufen zu können. Tragen Sie feste Schuhe. Da ein gutes Sehvermögen sehr wichtig ist, sollten Sie falls nötig eine gute Brille tragen.

Worauf muss ich sowohl drinnen wie draußen beim Laufen mit dem Rollator achten?

Achten Sie beim Laufen mit dem Rollator drinnen auf Folgendes:

- Sorgen Sie dafür, dass Sie genügend Platz haben, lassen Sie eventuell Möbel umstellen
- Entfernen Sie lose Teppiche und Türschwellen
- Sorgen Sie in allen Zimmern für gute Beleuchtung (auch im Flur)

Wenn Sie mit dem Rollator draußen laufen, sind folgende Punkte wichtig:

- Achten Sie auf lose Gehwegplatten
- Heben Sie beim Laufen Ihre Füße gut an, damit Sie nicht stolpern
- Stecken Sie beim Laufen eventuell Ihre Finger durch die Bremsgriffe, damit Sie sofort bremsen können, wenn Sie stolpern
- Benutzen Sie wenn möglich die Rollstuhlauffahrten beim Auf- und Abgehen des Gehweges
- Ruhen Sie sich auf dem Rollator aus wenn Sie müde werden (ziehen Sie erst die Feststellbremse an)

Berücksichtigen Sie, dass Sie zum Überqueren der Straße vielleicht etwas mehr Zeit brauchen.

Wie benutze ich die Feststellbremse?

Sie ziehen die Feststellbremse an, indem Sie den Bremshebel nach unten bewegen bis dieser einklickt. Die Hinterräder des Rollators werden nun blockiert. Wenn Sie den Bremshebel wieder nach oben bewegen, lösen Sie die Feststellbremse.



Wie verwende ich die Vorderradverriegelung?

Am Rahmen über jeder Vorderradgabel finden Sie einen kleinen roten Bügel, die Sie nach vorne auf den Stand ‚OPEN‘ umlegen können und nach hinten auf den Stand ‚CLOSE‘ stellen können. Wenn Sie die Bügel auf den Stand ‚OPEN‘ setzen, entriegeln Sie damit die Vorderradverriegelung und die Vorderräder bewegen sich mit dem Rollator. Stellen Sie den Stand ‚CLOSE‘ ein, verriegeln Sie damit die Vorderräder und diese bewegen sich nicht mit dem Rollator.

Wie warte ich meinen Rollator?

Wöchentlich:

- Kontrollieren Sie die Bremsfunktion; achten Sie auf Verschleiß und Beschädigungen

Dreimonatlich:

- Kontrollieren Sie, ob der Kreuzrahmen das Ein- und Ausfallen noch zufriedenstellend ermöglicht
- Kontrollieren Sie, ob alle Schrauben und Muttern noch gut festgezogen sind
- Gelöste Schraubverbindungen sind festzuziehen und die mit Loctite 435 zu sichern. Beachten Sie die Anwendungshinweise des Herstellers
- Kontrollieren Sie, ob die Reifenlaufflächen keine Beschädigungen oder Unebenheiten aufweisen
- Kontrollieren Sie, ob der Bezug Verschleiß aufweist
- Kontrollieren Sie, ob die Vorder- und Hinterreifen keine Radfreiheit aufweisen
Die scharnnierenden Teile bleiben geschmeidig, wenn sie regelmäßig mit einem Schmiermittel wie WD-40 behandelt werden.

Wie mache ich meinen Rollator sauber?

Den Bezug, Rahmen und die Kunststoffteile können Sie mit milder Seife reinigen. Es empfiehlt sich, den Rahmen regelmäßig einzuwachsen.

Benutzen Sie niemals:

- Aggressive Scheuermittel
- Hochdruckreiniger
- Dampf
- Scheuernden oder auflösenden Wachs
- Schädliche Chemikalien
- Siliconenspray

Trocknen Sie den Rollator immer gut ab, wenn er nass geworden ist.

Wiedereinsatz des Rollator:

Der Rollator TRACK> ist für den Wiedereinsatz bei weiteren Personen geeignet. Für den Wiedereinsatz ist der Rollator gründlich zu reinigen und desinfizieren. Er muss von einem autorisierten Fachhändler auf Betriebssicherheit geprüft und freigegeben werden.

5 Garantie

1. WheelzAhead® gewährleistet, dass das Produkt während der Garantiezeit bei normalem Gebrauch frei von fehlerhaften Teilen ist und dass keine Fertigungsdefekte oder Verarbeitungsfehler vorhanden sind.
2. Bei dem TRACK® Rollator haben Sie 24 Monate Garantie auf den Rahmen und die Querstangen, ab dem Datum des Kaufes durch den ursprünglichen Käufer. Alle Herstellerdefekte (Produktions- oder Materialfehler) haben auch eine Garantie von 24 Monaten.
3. Diese Garantie gilt nur für Produkte, die neu und unbenutzt sind und direkt bei WheelzAhead® oder einem autorisierten Dritten Wiederverkäufer oder Distributorgesellschaft wurden.
4. Der Kunde muss den Original Kaufbeleg und die Seriennummer des Produktes, die die Einhaltung der oben genannten Bedingungen zeigt, aufbewahren und im Garantiefall zur Verfügung stellen.
5. Die Garantie ist nicht übertragbar.
6. Die Garantie gilt nur, wenn ein Fehler aufgetreten ist, vollständig oder im Wesentlichen als Folge von Herstellungsfehlern oder gilt bei Verarbeitungsfehlern.
7. Die Garantie gilt nicht, wenn der Schaden durch folgende andere Faktoren verursacht wurde:
 - A normalen Verschleiß;
 - B Missbrauch, falsche Handhabung, Unfälle oder der Benutzeranleitung wurde nicht gefolgt;
 - C Wartung oder Veränderungen des Produktes die nicht von WheelzAhead® oder einem autorisierten Wiederverkäufer durchgeführt wurden;
 - D Verwendung des Produkts mit anderem Zubehör, Zusatzkomponenten Produktlieferungen, Teile oder Geräte, die nicht von WheelzAhead® sind;
 - E Versand oder anderer Transit.
8. Diese Garantie gilt nicht für:
 - A den Austausch von Verschleißmaterialien wie Reifen, Bremsbeläge, Bremsleitungen, Textilien usw.
 - B Reparatur oder Ersatz eines Produkts, das während des Transportes zum oder von WheelzAhead® beschädigt wurde oder
 - C Verlust oder Folgeschäden, die anfallen, wenn das Produkt repariert wurde.
9. Weisungen um einen Garantieanspruch geltend zu machen sind in den beigefügten Materialien enthalten. Sollte dem Anspruch auf Garantie nicht zu gestimmt werden:
 - A wird WheelzAhead den Wiederverkäufer, Distributor oder dem Kunden selbst, vorausgesetzt das Produkt wurde direkt von WheelzAhead® erworben, informieren.

- B wenn vom Kunden gewünscht, wird der Wiederverkäufer, Kundenservice Distributor oder WheelzAhead® (bei einem Kauf direkt von WheelzAhead®) selbst, das Produkt reparieren und wird die Standard-Gebühren für eine solche Reparatur in Rechnung stellen
- C gegebenenfalls muss der Kunde alle Kosten des Transportes zu dem Wiederverkäufer, Kundenservice, Distributor oder WheelzAhead® (wenn das Produkt direkt von WheelzAhead® bezogen wurde) selbst tragen.

Im Garantiefall

Bitte kontaktieren Sie Ihren Händler, Distributor oder WheelzAhead® (bei einem Kauf direkt von WheelzAhead®), per Telefon oder E-Mail um den Garantieanspruch geltend zu machen.

- A Sie müssen Ihren Wiederverkäufer, Distributor oder WheelzAhead® direkt informieren, wenn ein Garantiefall auftritt.
- B Sie müssen Ihren Originalbeleg, Ihre Seriennummer und Ihre schriftliche Fehlerbeschreibung (einschließlich Bildproben und andere relevante Materialien) nachweisen können.
- C Vorbehaltlich der geltenden Verbraucherschutzgesetze in Ihrem Land, müssen Sie für alle Verpackungs-, Fracht- und Versicherungskosten die während des Transportes des Produkts, zu Ihren Wiederverkäufer, Händler oder WheelzAhead® (wenn das Produkt direkt von WheelzAhead® bezogen wurde) anfallen selbst aufkommen.
- D Wenn der Garantieanspruch im Falle eines Kaufs bei WheelzAhead®, dem Reseller oder Distributor, unter Beachtung der geltenden Verbraucherschutzgesetze in Ihrem Land, akzeptiert wird: Wird der Fehler mittels Reparatur behoben oder Einzelteile werden ersetzt, Verarbeitungsfehler werden korrigiert; und das Produkt wird Ihnen zurückgesendet.

WheelzAhead® BV

Polsehof 38
6681 JB Bommel, Netherlands
+31 (0)481 - 45 01 10
office@wheelzahead.com
WheelzAhead.com

CoC 53888332
VAT NL851059867B01

Mode d'emploi



Félicitations pour l'achat de ce rollator WheelzAhead®!

Avant d'utiliser votre rollator, nous vous demandons de bien vouloir lire attentivement le mode d'emploi ci-joint.

Si vous avez des questions ou si vous souhaitez plus de précisions concernant ce rollator ou ce mode d'emploi, prenez contact avec WheelzAhead®.

Le système de production de ce rollator est certifié par l'organisme TÜV et répond aux normes ISO13485.

WheelzAhead® déclare que votre rollator répond aux normes européennes pour les aides médicales 93/42/EEC et 2007/47/EEC.



© Copyright 2013 WheelzAhead® BV

Les informations dans ce document peuvent être changées sans mention.

WheelzAhead® BV décline toutes responsabilités pour des fautes techniques ou des défauts.

Index

1	Informations générales de votre rollator	36
2	Fiche technique	39
3	Sécurité	40
4	Utilisation	43
5	Garantie	48

1 Informations générales de votre rollator

Qu'est ce que j'ai acheté ?

Vous avez acheté un rollator pliable et léger. Ce rollator est conçu pour une utilisation intérieure et extérieure et pour les personnes à mobilité réduite.

Où puis-je trouver le numéro de série ?

Sur le cadre en croix en dessous de l'assise vous trouverez un autocollant avec le numéro de série indiqué dessus.

Quelle est la charge maximale autorisée ?

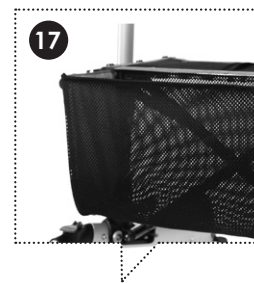
La charge maximale autorisée est 135 kg. Ceci inclus les bagages éventuels dans le sac à provisions et autres articles qui sont transportés avec le rollator.

Quand puis je utiliser le rollator?

Le rollator TRACK> soutient les personnes qui sont réduites dans leurs mouvements au quotidien, en faisant des courses ou en se promenant à l'extérieur.

Le TRACK> rollator a comme but de rendre l'autonomie aux gens...

Comment le rollator est-il conçu?



Avertissement!

Un emballage plastique est à tenir éloigné des bébés et des enfants. Pour eux, le sac plastique peut devenir un jouet et attirer leur curiosité. Le risque de suffocation est alors important et doit être évité le plus possible pour éviter de graves lésions cérébrales ou le décès. Jetez l'emballage plastique immédiatement.

- | | | | |
|----|--------------------------|----|--|
| 1 | Poignées | 12 | Lampes à réflecteur |
| 2 | Frein / frein de blocage | 13 | Roue avant, à bloquer avec le frein à main |
| 3 | Dossier | 14 | Roue arrière |
| 4 | Porte canne | 15 | Monte marche |
| 5 | Lampe | 16 | Frein de roue |
| 6 | Assise | 17 | Filet |
| 7 | Porte sac | 18 | Sacoche |
| 8 | Cadre en croix | 19 | Cabas |
| 9 | Réglage en hauteur | 20 | Sac de rangement du dossier |
| 10 | Verrouillage du cadre | 21 | Support de nom |
| 11 | Bloquage de roue | 22 | Plateau |

2 Fiche Technique

TRACK

Longueur	700 mm
Largeur totale	635 mm
Largeur entre les poignées	500 mm
Hauteur	805 - 935 mm

Dimensions replié 680 x 250 x 810 mm

Hauteur assise	560 mm
Largeur assise	460 mm
Profondeur assise	225 mm

Poids total avec accessoires	8,5 Kg
Poids total sans accessoires	7,4 Kg
Charge maximale transporté dans le sacoch	5,0 kg

Matériau

Pièces de châssis: Aluminium anodisé

Pièces de raccordement: Polyamide (PA6) fibre de verre amplifiée

Leviers de frein: Polyamide (PA6) fibre de verre amplifiée

Dossier: matière synthétique (Polyester), EPE écume, tissu de maille nylon

Roue: PU (Pneu), PP (Jante)

Assise: tissu de maille nylon

Poignées: Polyamide (PA6) fibre de verre amplifiée avec PVC

Plateau: Polycarbonate (PC)

3 Utilisation de votre rollator en sécurité

Dois-je encore contrôler quelque chose avant de démarrer?

Répondez avec affirmation aux questions suivantes avant l'utilisation:

- Les freins, fonctionnent-ils bien?
- Le blocage du cadre est-il bien fixé?
- L'assise est-elle bien fixée?

Quand puis-je circuler avec le rollator?

Il est important de bien s'exercer avec votre rollator avant de participer à la circulation.

Les adaptations du rollator, ont-elles une influence sur la sécurité?

Les adaptations peuvent avoir une influence négative pour une utilisation en sécurité. WheelzAhead® ne peut pas garantir la qualité du rollator plus longtemps si il y a eu des adaptations au rollator. La garantie sera expirée si vous procédez à des adaptations.

Quand mon rollator peut-il se renverser?

C'est possible dans les situations suivantes:

- Vous vous situez sur une pente
- Lorsque vous montez ou descendez les trottoirs
- Sur les sols irréguliers, trous ou creux par exemple
- Lorsque vous essayez d'attraper des objets qui se trouvent trop loin devant, derrière ou à côté du rollator

Exercez vous avec un accompagnateur pour la conduite sur une pente et pour monter et descendre des trottoirs. En bougeant votre corps en avant ou en arrière, vous déplacez le centre de gravité du rollator. De cette façon, vous pouvez passer les obstacles en sécurité. Si vous hésitez, ne passez pas les obstacles sans accompagnement.

Quand dois-je mettre le frein?

Vous devez toujours mettre le frein dans les situations suivantes:

- Lorsque vous vous asseyez sur le rollator
- Lorsque vous vous levez du rollator
- Dans un ascenseur ou sur un escalator
- Quand vous marchez sur un sol irrégulier

Comment dois-je enlever le frein?

Cela fonctionne de la même façon qu'un vélo. En dessous du cadre, proche de la roue arrière, se situe le bout du câble du frein. En tournant sur la vis, vous pouvez serrer ou desserrer le câble du frein. Si vous hésitez sur la tension de câble et du freinage, n'utilisez pas le rollator avant qu'un professionnel ait contrôlé le freinage.

A quoi dois-je faire attention si je veux prendre un objet devant, derrière ou à côté du rollator?

Il est important de ne pas trop changer le point de gravité lors de la préhension de votre objet, le rollator peut se renverser.

Faites attention aux points suivants :

- Placez le rollator le plus proche possible de l'objet que vous désirez prendre
- Faites en sorte que les roues pivotantes sont vers l'avant et fixées
- Mettez le frein

Comment dois-je monter et descendre un escalier?

N'essayez pas de vous appuyer sur le rollator pour monter et descendre un escalier.

Repliez le rollator et portez-le ou demandez de l'aide.

N'utilisez pas le rollator sur un escalator.

Comment manœuvrer aux abords du trottoir ?

Premièrement vous posez le TRACK> en buté ses deux roues avant contre le bord du trottoir. Ensuite vous pressez avec votre pied sur la pédale tout en tirant le rollator vers vous, ainsi les roues avant se lèvent. Maintenant vous poussez le TRACK> jusqu'à ce que les roues avant passent le bord du trottoir. Vous posez les roues avant et vous poussez le TRACK> sur le trottoir. Si vous hésitez, laissez-vous accompagner par quelqu'un, n'essayez pas seul.

Dans quel cas le TRACK> ne me conviendrait pas ?

Le TRACK> n'est pas conçu pour des personnes ayant :

- des problèmes d'équilibre
- des problèmes de perceptions
- des problèmes pour s'asseoir

Encore d'autres indications ?

- Si vous laissez le rollator trop longtemps dans le soleil, les tuyaux en métal peuvent être bouillants
- Les vêtements attrayants et/ou réfléchissants offrent plus de visibilité dans la circulation
- Manoeuvrez prudemment lorsque votre sac est chargé
- Ne vous mettez jamais debout sur le rollator et ne l'utilisez pas en tant que chaise roulante
- Le rollator n'est pas conçu pour déplacer l'utilisateur assis avec les pieds en l'air
- Soyez prudent avec le feu et les cigarettes

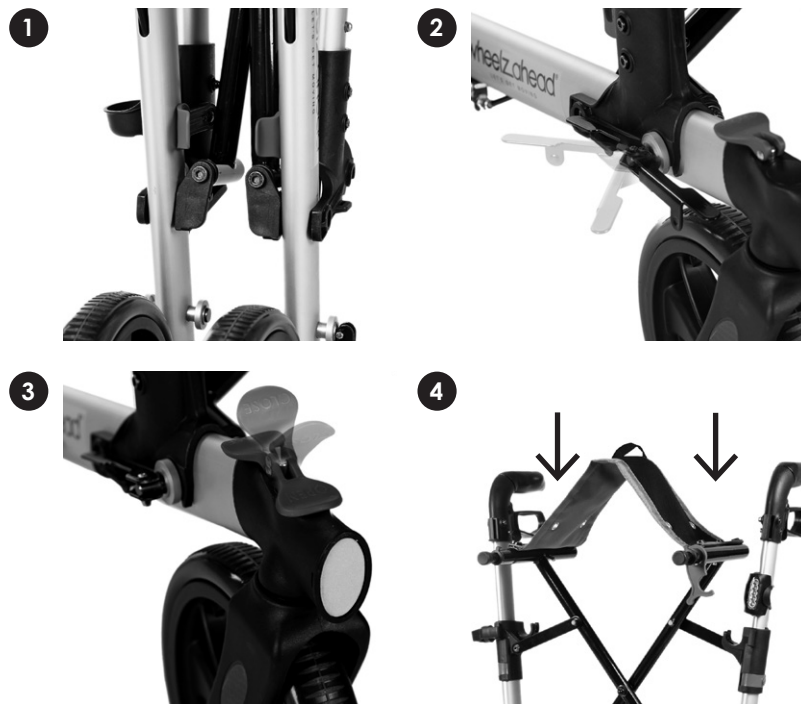
4 Informations sur l'utilisation de votre rollator

Comment dois-je ouvrir le rollator?

Votre rollator est prêt à l'emploi en 3 étapes :

- 1 Mettez le rollator droit et debout, appuyez sur les clips rouges vers l'intérieur et bougez les roues arrière du rollator vers le sol
- 2 Verrouillez le cadre
- 3 Déverrouillez les roues avant
- 4 Ecartez les poignées et appuyez l'assise vers le bas jusqu'à ce que celle-ci se fixe.

Attention: Le verrou du cadre doit être verrouillé avant de pouvoir déplier le rollator.

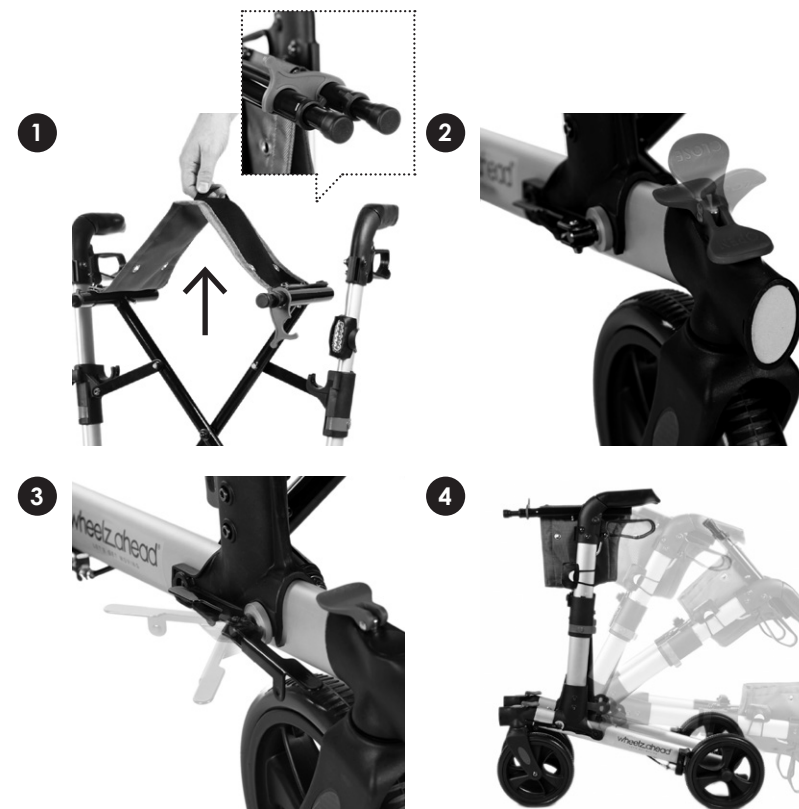


Comment dois-je replier le rollator?

Aussi simple que pour le déplier, vous le repliez en double –au sens propre–

- 1 Relevez l'assise à l'aide de la languette afin que le rollator se replie et placez le clip rouge
- 2 Verrouillez les roues avant
- 3 Déverrouillez le cadre en enlevant le loquet du verrou vers l'avant
- 4 Maintenant vous pouvez bouger les poignées vers les roues arrière, et vous entendez 2 fois « click ».

Attention: Le verrou du cadre doit être ouvert avant de pouvoir plier le rollator.



Comment dois-je ajuster les poignées en longueur?

Dans le haut du châssis vous trouverez 6 positions pour les poignées.

Pour régler la bonne hauteur, vous devez suivre les points suivants :

- Mettez vous entre les roues arrière
- Mettez vous le plus droit possible
- Les bras doivent être relâchés le long du corps
- Les poignées doivent venir à hauteur des poignets
- Les coudes sont légèrement pliés quand vous tenez les poignées

ATTENTION: Ne pas utiliser le réglage en hauteur quand le rollator est plié en deux.



Comment je fixe le filet ?

Les points d'attache pour la sacoche et pour le filet sont les-mêmes.

Pour fixer le filet vous faites sortir les glissières des points d'attache. Ils se bloquent automatiquement à la bonne longueur.

Ensuite vous faites glisser les boucles grises du filet sur les points d'attaches.

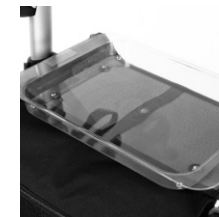
Vous glissez le poignet noir du filet au-dessus des points d'attache pour le fixer ensuite sous les points d'attache sur le scratch. Votre filet est prête à l'emploi!

ATTENTION: Quand vous avez fixé une sacoche ou un filet, veillez à le vider avant de plier le rollator.



Comment puis-je fixer le plateau?

Sous le plateau, vous trouverez quatre bouchons. Ces quatre bouchons s'adaptent dans les quatre ouvertures de l'assise. En plaçant les bouchons du plateau dans les ouvertures de l'assise, vous empêchez le plateau de glisser de l'assise. Toujours vérifier que le plateau est correctement placé sur l'assise avant d'utiliser le rollator avec le plateau.



Quelle est la bonne position pour marcher derrière le rollator?

Pour avoir une bonne position derrière le rollator, vous devez suivre les points suivants :

- Essayez de marcher le plus droit possible
- Restez proche du rollator lorsque vous marchez
- Ne vous appuyez pas trop sur les poignées
- Faites en sorte de pouvoir utiliser les freins dans toutes les situations
- Evitez de vous pencher lorsque vous êtes fatigué

Asseyez-vous à temps afin de vous reposer. En plus de bonnes chaussures (à lacets) et d'une bonne vue, portez des lunettes si besoin, vous avez besoin d'avoir suffisamment d'équilibre et de force dans les bras et les jambes pour circuler avec un rollator.

A quoi dois-je faire attention lorsque je circule avec mon rollator, à l'intérieur et à l'extérieur?

Faites attention aux points suivants lorsque vous circuler à l'intérieur avec votre rollator:

- Prenez soins d'avoir assez d'espace, si besoin faites déplacer des meubles
- Retirer les habits qui traînent et autres obstacles
- Eclairiez bien toutes les pièces (aussi dans le hall)

Faites attention aux points suivants lorsque vous circulez à l'extérieur avec votre rollator:

- Faites attention aux pavés de trottoirs mal fixés
- Levez bien vos pieds lorsque vous marchez afin d'éviter de trébucher
- Marchez éventuellement avec vos doigts sur les poignées de freins: si vous trébuchez, vous pouvez directement freiner
- Utilisez le plus souvent possible les accès pour chaises roulantes pour monter et descendre les trottoirs
- Reposez-vous un moment sur le rollator lorsque vous êtes fatigué (faites attention que les freins soient bloqués)

Comment dois-je utiliser le frein de blocage?

Vous bloquez les freins et appuyant les poignées de freins vers le bas jusqu'au moment où elles se fixent. Les roues arrière du rollator sont maintenant bloquées. Si vous remontez les poignées de freins vers le haut, vous débloquent le frein de blocage.



Comment puis-je utiliser le blocage de la roue?

Sur le cadre au-dessus de chaque fourche, vous trouverez un clip rouge que vous pouvez déplacer vers l'avant "OPEN" et vers l'arrière "CLOSE". En mettant le clip rouge en position "OPEN" vous débloquent le blocage de la roue avant et vous aurez des roues pivotantes. Si vous placez le clip rouge en position "CLOSE" vous verrouillez les roues avant et celles-ci seront bloquées.

Comment dois-je entretenir mon rollator?

Hebdomadaire:

- Contrôlez si les freins fonctionnent encore correctement; attention à l'usure et endommagement

Chaque trimestre:

- Contrôlez si le cadre se replie toujours facilement
- Contrôlez tous les boulons et toutes les vis: est-ce toujours bien fixé?
- Vous devez resserrer et fixer les vis non fixées à l'aide de 'Loctite 435'. Suivez les instructions du fabricant.
- Contrôlez l'usure et les irrégularités de la bande de roulement
- Contrôlez l'usure du revêtement
- Contrôlez si il y a un jeu aux roues avant et arrière

Toutes les charnières restent souples en appliquant régulièrement un spray lubrifiant comme par exemple WD-40.

Comment dois-je nettoyer mon rollator?

Avec un savon doux, vous pouvez nettoyer le revêtement, le châssis et les parties en plastique. Il est conseillé de nettoyer régulièrement le châssis du rollator.

N'utilisez jamais:

- d'abrasifs agressifs
- de nettoyeur haute pression
- de la vapeur
- de produits chimiques nocifs
- de spray's silicone

Séchez bien votre rollator après qu'il ait été mouillé.

Réutilisation

Le TRACK> rollator s'adapte à toutes personnes. Avant sa réutilisation il est important de le nettoyer à fond et de le désinfecter. Le rollator doit être contrôlé et approuvé par un professionnel habilité.

5 Garantie

1. WheelAhead® garantit que, pendant la période de garantie, le Produit sera, avec des conditions normales d'utilisation et d'entretien, exempt de pièces défectueuses, de défauts de fabrication ou d'erreurs de mise en œuvre.
2. Le déambulateur TRACK>, comporte une garantie de 24 mois sur le châssis et les barres transversales, depuis la date d'achat par l'acheteur initial. Tous défauts de fabrication (erreurs dans la production ou défaillance de résistance du matériau) comportent également une garantie de 24 mois.
3. Cette garantie est valide seulement pour les Produits qui ont été achetés neufs et inutilisés directement de WheelzAhead ou émanant de tiers revendeurs ou distributeurs autorisés.
4. Le Client doit fournir la preuve d'achat initiale et le numéro de série du Produit, lesquels démontrent la conformité avec les conditions décrites ci-dessus à recevoir tous services sous cette garantie.
5. La garantie est non transférable.
6. Cette garantie s'applique uniquement là où le défaut est apparu, intégralement ou en grande partie, comme étant le résultat d'une fabrication, pièces ou mise en œuvre défectueuses pendant la période de garantie.
7. La garantie ne s'applique pas si le dommage est causé par d'autres facteurs, y compris, sans s'y limiter :
 - A Conditions normales d'usure et de déchirures
 - B Usage abusif, manipulation sans précaution, accident ou manquement à suivre le mode d'emploi;
 - C Entretien courant ou modification du Produit autre que par WheelAhead® ou leurs intermédiaires de service autorisés;
 - D Utilisation du Produit avec d'autres accessoires, attelages, approvisionnement en produits, pièces ou dispositifs qui ne sont pas conformes aux spécifications de WheelAhead®; ou
 - E Expédition ou autre transit.
8. Cette garantie ne couvre pas :
 - A Le remplacement de tous articles consommables tels que pneus, patins de frein, câbles de frein, textiles, etc.
 - B Réparation ou remplacement de tout produit endommagé pendant le transit à ou de WheelzAhead®; ou
 - C Toute perte ou dommage corrélatif encouru pendant que le Produit est en cours de réparation.
9. Les instructions pour faire une réclamation au titre de la garantie est incluse dans les pièces jointes. Si la réclamation au titre de la garantie est refusée :
 - A WheelAhead® informera le Revendeur, Distributeur ou le Client dans le cas d'un achat directement de WheelzAhead®;

- B Si le Client le demande, le Revendeur, Intermédiaire de service, Distributeur ou WheelzAhead®, dans le cas d'un achat directement de WheelzAhead®, réparera le Produit, à la condition que vous payiez les frais standards pour telle réparation; et
- C S'il y a lieu, le Client sera responsable de tous les frais associés au ramassage du Produit venant du Revendeur, Intermédiaire de service, Distributeur ou WheelzAhead®, dans le cas d'un achat directement de WheelzAhead®.

Faire une réclamation au titre de la garantie

Veillez contacter votre Revendeur, Distributeur ou WheelzAhead®, dans le cas d'un achat directement de WheelzAhead®, par téléphone ou courriel pour faire une réclamation au titre de garantie.

- A Veuillez devez informer votre Revendeur, Distributeur ou WheelzAhead®, dans le cas d'un achat directement de WheelzAhead® dès que la réclamation au titre de la garantie se présente;
- B Vous devez envoyer à votre Revendeur, Distributeur ou WheelzAhead®, dans le cas d'un achat directement de WheelzAhead®, votre preuve d'achat initiale, votre numéro de série et votre description par écrit du défaut (incluant des échantillons d'image et tout autre pièce pertinente); et
- C Assujetti aux droits de la consommation applicables dans votre juridiction, vous devez payer pour tous les frais relatifs à l'emballage, au transport et à l'assurance pour le transit du Produit à votre Revendeur, Distributeur ou WheelzAhead®, dans le cas d'un achat directement de WheelzAhead®;
- D Si la réclamation au titre de la garantie est acceptée, votre Revendeur, Distributeur ou WheelzAhead®, dans le cas d'un achat directement de WheelzAhead®, fera, assujetti aux droits de consommation applicables dans votre juridiction, à ses frais: réparer ou remplacer toutes pièces défectueuses ou rectifier toute mise en œuvre défectueuse; et vous retourner le Produit.

WheelzAhead® BV

Polehof 38
6681 JB Bommel, Netherlands
+31 (0)481 - 45 01 10
office@wheelzAhead.com
WheelzAhead.com

CoC 53888332
VAT NL851059867B01

Gebruikershandleiding



Gefeliciteerd met de aankoop van deze WheelzAhead® rollator!

Voordat u gebruik gaat maken van uw rollator, vragen wij u en uw eventuele begeleider eerst bijgaande handleiding aandachtig door te lezen.

Mochten er vragen of onduidelijkheden zijn omtrent uw rollator of hetgeen weergegeven in deze handleiding, neemt u dan contact op met WheelzAhead®.

Het productiesysteem van uw rollator is door TÜV gecertificeerd en voldoet aan de richtlijnen van ISO 13485.

WheelzAhead® verklaart dat uw rollator voldoet aan Europese richtlijnen voor medische hulpmiddelen 93/42/EEG en 2007/47/EEG.



© Copyright 2013 WheelzAhead® BV

Informatie in dit document kan zonder aankondiging worden gewijzigd.

WheelzAhead® BV is niet aansprakelijk te stellen voor technische fouten of onvolkomenheden.

Inhoudsopgave

1	Algemene toelichting op uw rollator	52
2	Technische specificaties	55
3	Veilig gebruik maken van uw rollator	56
4	Uitleg over het gebruik van uw rollator	59
5	Garantie	64

1 Algemene toelichting op uw rollator

Wat heb ik gekocht?

U heeft een opvouwbare, lichtgewicht rollator gekocht. Deze rollator is bedoeld voor gebruik binnens- en buitenshuis en voor gebruikers die verminderd mobiel zijn.

Waar kan ik het serienummer van de rollator vinden?

Op de kruisstang onder de zitting vindt u een sticker met daarop het serienummer van uw rollator.

Wat is het maximaal toelaatbare gewicht?

Het maximaal toelaatbare gewicht is 135 Kg. Dit is inclusief eventuele bagage in de opbergtassen en andere artikelen die met de rollator vervoerd worden.

Wanneer gebruik ik de rollator?

De TRACK> rollator ondersteunt personen met een bewegingsbeperking in huis, bij winkelen of wandelen buitenshuis.

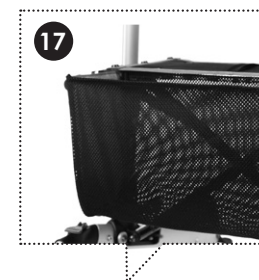
De TRACK> rollator dient er toe mensen met een bewegingsbeperking mobieler te maken.

Hoe is de rollator opgebouwd?



Waarschuwing!

Houd plastic verpakkingsmaterialen uit de buurt van kinderen. Kinderen kunnen dit in hun mond stoppen en stikken. Het verpakkingsmateriaal direct weggooien.



- | | |
|-----------------------------------|---------------------------------------|
| 1 Ergonomische handvatten | 12 Reflectoren |
| 2 Handrem / Parkeerrem | 13 Voorwiel, met vastzet mogelijkheid |
| 3 Verstelbare, afneembare rugband | 14 Achterwiel |
| 4 Wandelstokhouder | 15 Tilpedaal |
| 5 Lampje | 16 Wielrem |
| 6 Zitting | 17 Net-tas |
| 7 Verstelbare tashouder | 18 Opbergtas |
| 8 Kruisframe | 19 Draagtas |
| 9 Hoogteverstelling | 20 Rugband-tasje |
| 10 Frameslot | 21 Naam-label |
| 11 Zwenkwielslot | 22 Dienblad |

2 Technische specificaties

TRACK

Lengte	700 mm
Totale breedte	635 mm
Breedte tussen de handgrepen	500 mm
Hoogte	805 - 935 mm
Afmeting opgevouwen	680 x 250 x 810 mm
Hoogte zitting	560 mm
Breedte zitting	460 mm
Diepte zitting	225 mm
Totaalgewicht met accessoires	8,5 Kg
Totaalgewicht zonder accessoires	7,4 Kg
Maximale belasting Opbergtas	5,0 Kg

Materialen

Framedelen: Aluminium geanodiseerd

Verbindingsdelen: Polyamide (PA6) glasvezelversterkt

Remgrepen: Polyamide (PA6) glasvezelversterkt

Rugband: Kunststof (Polyester), EPE schuim, netweefsel nylon

Wielen: PU (Loopvlak), PP (Velg)

Zitvlak: Netweefsel nylon

Handvatten: Polyamide (PA6) glasvezelversterkt met PVC

Dienblad: Polycarbonaat (PC)

3 Veilig gebruik maken van uw rollator

Moet ik nog iets controleren voor het rijden?

Zorg er vóór gebruik altijd voor dat de volgende vragen bevestigend kunnen worden beantwoord:

- Werken de remmen goed?
- Is het frameslot goed bevestigd?
- Is de zitting volledig uitgeklapt?

Wanneer kan ik deelnemen aan het verkeer?

Het is belangrijk dat u goed oefent in het gebruik van uw rollator voordat u hiermee aan het verkeer deelneemt.

Hebben aanpassingen aan de rollator invloed op de veiligheid?

Aanpassingen kunnen het veilig gebruiken van de rollator negatief beïnvloeden. WheelzAhead® kan de kwaliteit van de rollator niet langer garanderen als er aanpassingen zijn uitgevoerd. Ook de garantie vervalt bij het aanbrengen van aanpassingen.

Wanneer kan mijn rollator kantelen?

Dit is mogelijk in de volgende situaties:

- U bevindt zich op een hellend vlak
- Bij het op- en afrijden van stoepen
- Op ongelijke grond, putten en kuilen bijvoorbeeld
- Bij het rijden naar dingen die zich te ver voor, achter of naast de rollator bevinden

Oefen onder begeleiding zowel het rijden op een hellend vlak als het op- en afrijden van stoepen. Door uw bovenlichaam voor- of achterwaarts te bewegen, verplaatst u het zwaartepunt van de rollator. Zo kunt u obstakels veiliger nemen. Indien u twijfelt, probeert u het obstakel dan nooit zonder begeleiding te nemen.

Wanneer zet ik de parkeerrem vast?

In de volgende gevallen dient u altijd beide remmen vast te zetten:

- Als u op de rollator gaat zitten
- Bij het opstaan uit de rollator
- In een lift of op een rolstoellift
- Als u stopt op een oneffen oppervlak

Hoe stel ik de remmen af?

Dit werkt eigenlijk hetzelfde als bij een fiets. Aan de onderzijde van het frame, nabij het achterwiel, zit het uiteinde van de remkabel. Door aan de schroef om het uiteinde te draaien, kunt u de remkabel strakker of losser spannen. Indien u twijfelt over de spanning van de remkabel of de remfunctie in het algemeen, gebruikt u de rollator dan even niet voordat een professional de remfunctie gecontroleerd heeft.

Waar moet ik op letten als ik iets voor, achter of naast de rollator wil pakken?

Belangrijk is dat u het zwaartepunt niet te veel verplaatst bij het rijden naar hetgeen u wilt pakken; dit kan kantelen van de rollator tot gevolg hebben.

Let altijd op het volgende:

- Plaats de rollator zo dicht mogelijk bij hetgeen u wilt pakken
- Zorg dat de zwenkwielen naar voren gericht staan en vergrendeld zijn
- Zet de rollator op de parkeerrem

Hoe kom ik een trap op en af?

Probeer niet steunend op een rollator een trap op of af te gaan. Klap de rollator op en til deze naar boven of beneden of vraag om begeleiding.

Gebruik de rollator ook niet op een roltrap.

Hoe te handelen bij een drempel of stoeprand?

Het tilpedaal helpt u bij het nemen van een drempel of stoeprand.

Als eerst zet u de TRACK> met beide voorwielen tegen de drempel of stoeprand. Vervolgens duwt u met uw voet het tilpedaal naar beneden terwijl u de TRACK> iets naar achteren trekt. De voorwielen komen nu los van de grond. Nu duwt u de TRACK> naar voren totdat de voorwielen duidelijk over de drempel of stoeprand heen zijn. U kunt dan de voorwielen weer laten zakken en de TRACK> naar voren bewegen tot ook de achterwielen helemaal op de stoep of over de drempel staan. Indien u twijfelt, probeert u het obstakel dan nooit zonder begeleiding te nemen.

Wanneer is de TRACK> niet geschikt voor mij?

De TRACK> is niet geschikt voor mensen met:

- sterke evenwichtsstoornissen
- waarnemingsstoornissen
- zitproblemen.

Nog andere tips?

- Als u de rollator langere tijd in de zon laat staan, kunnen de metalen delen heet worden
- Opvallende en/of reflecterende kleding zorgt voor betere zichtbaarheid in het verkeer
- Manoeuvreeer voorzichtig als de tas zwaar beladen is
- Ga nooit op de rollator staan en gebruik deze ook niet als rolstoel
- De rollator is niet geschikt om de gebruiker zittend met de voeten voorwaarts te verplaatsen
- Let op met vuur en brandende sigaretten

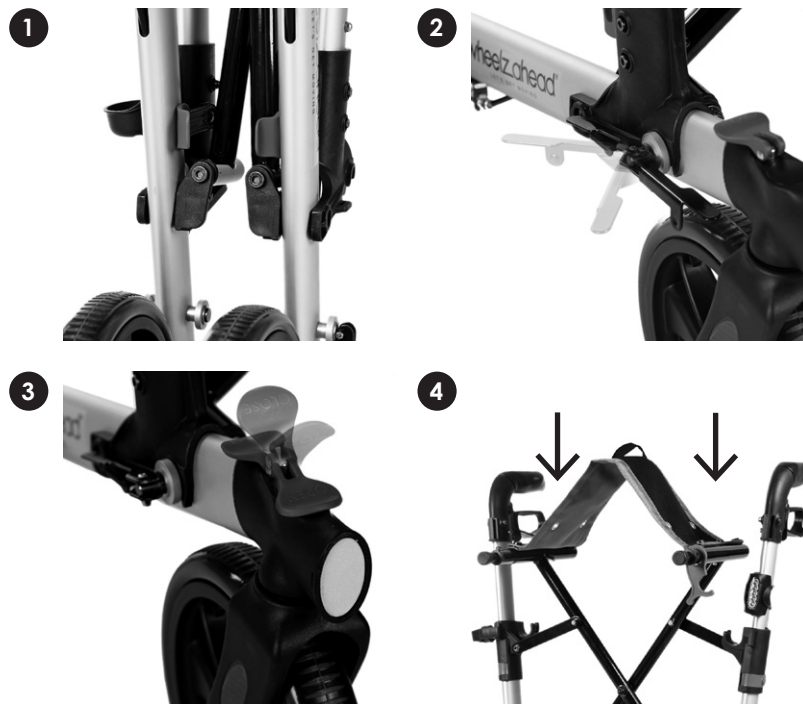
4 Uitleg over het gebruik van uw rollator

Hoe vouw ik de rollator uit?

Uw rollator is in 3 stappen gebruiksklaar:

- 1 Zet de rollator rechtop, druk de 2 rode clips een voor een naar binnen en beweeg de achterwielen van de rollator naar de grond
- 2 Vergrendel het frameslot
- 3 Ontgrendel de voorwielen
- 4 Haal de handvatten uit elkaar en duw de zitting omlaag totdat deze 'vastklikt'.

Let op: Het frameslot moet vergrendeld worden voordat u de rollator uit kunt vouwen.

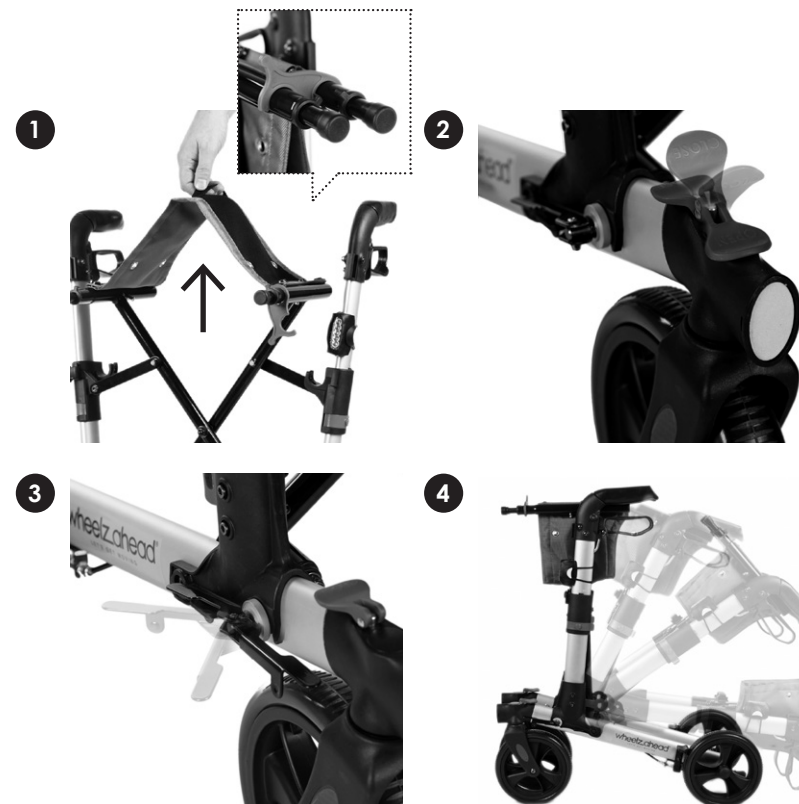


Hoe vouw ik de rollator op?

Zo makkelijk als hij uit te klappen is, vouwt u hem ook weer – letterlijk – dubbel:

- 1 Til de zitting middels de lus omhoog zodat de twee zijden van de rollator samen komen en bevestig de rode clip
- 2 Vergrendel de voorwielen
- 3 Open het frameslot door de hendel uit de sluiting te halen en naar voren te bewegen
- 4 Nu kunt u de handvatten richting de achterwielen bewegen en hoort 2 maal een bevestigende 'klik'.

Let op: Het frameslot moet geopend worden voordat u de rollator in kunt vouwen.



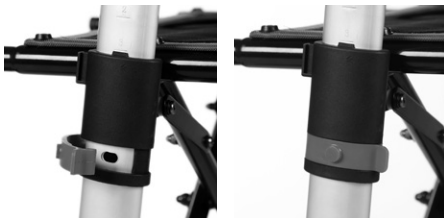
Hoe verstel ik de handvatten in lengte?

Aan de buitenzijde van het frame ziet u de 6 standen van de handvatten.

Om de juiste hoogte in te stellen, dient u op het volgende te letten:

- Ga tussen de achterwielen staan
- Probeer zo rechtop mogelijk te staan
- De armen moeten met ontspannen schouders langs het lichaam hangen
- De handvatten moeten ter hoogte van de polsen komen
- De ellebogen zijn licht gebogen wanneer u de handvatten vasthoudt
- Plaats beide handgrepen altijd op dezelfde hoogte om de stabiliteit te behouden.

LET OP: Gebruik de hoogteverstelling niet als de rollator dubbel opgevouwen is.



Hoe bevestig ik de net-tas?

De bevestigingspunten voor zowel de opbergtas als de net-tas zijn gelijk.

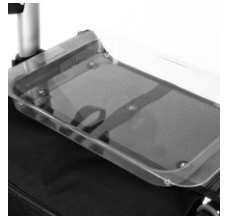
Om de net-tas te bevestigen trekt u het uiteinde van de bevestigingspunten een stukje uit. Deze blijven vanzelf steken op de juiste lengte. Vervolgens steekt u de bevestigingspunten aan beide zijden door de grijze lussen van de net tas. Het zwarte handvat van de net-tas beweegt u over de bevestigingspunten om deze vervolgens onder de bevestigingspunten op het klittenband vast te zetten. Uw net-tas is klaar voor gebruik!

LET OP: Wanneer u een bagagetas heeft bevestigd, zorg dan dat deze helemaal leeg is voordat u het frame inklapt.



Hoe bevestig ik het dienblad?

Aan de onderzijde van het dienblad treft u 4 uitstekende dopjes aan. Deze 4 dopjes passen in de 4 geringde openingen in uw zitting. Door de dopjes van het dienblad in de openingen van de zitting te plaatsen voorkomt u dat het dienblad van de zitting af kan schuiven. Controleer altijd of het dienblad juist op de zitting geplaatst is voordat de rollator met dienblad gebruikt.



Wat is een goede houding om achter de rollator te lopen?

Voor een goede houding achter de rollator let u op het volgende:

- Probeer zo rechtop mogelijk te lopen
- Blijf tijdens het lopen dichtbij de rollator
- Steun niet teveel op de handvatten
- Zorg er te allen tijde voor dat u de rem kunt bedienen
- Voorkom dat u van vermoeidheid krom gaat lopen

Ga daarnaast op tijd even zitten om uit te rusten. U heeft voldoende evenwicht en kracht in armen en benen nodig om met een rollator te kunnen lopen, naast een stevig paar (veter)schoenen en een goed gezichtsvermogen. Zorg voor een goede bril, indien nodig.

Waar moet ik op letten bij het lopen met de rollator, binnen en buiten?

Let bij het lopen met de rollator binnenshuis op het volgende:

- Zorg voor voldoende ruimte, laat indien nodig meubels verzetten
- Verwijder losliggende kleedjes en drempels
- Zorg voor goede verlichting in alle vertrekken (ook in de hal)

Buiten lopen met de rollator vereist het volgende:

- Pas op voor losliggende stoeptegels
- Til tijdens het lopen goed uw voeten op om struikelen te voorkomen
- Loop eventueel met de vingers door de remhendels: mocht u struikelen, dan kunt u direct remmen
- Maak zoveel mogelijk gebruik van rolstoelopritten bij het op- en afgaan van stoepen
- Rust bij vermoeidheid even uit op de rollator (pas als hij op de parkeerrem staat)

Houdt u er ook rekening mee dat u misschien wat meer tijd nodig hebt met oversteken.

Hoe gebruik ik de parkeerrem?

Door de remhendel naar beneden te bewegen tot dat deze 'vastklikt', zet u de rollator op de parkeerrem. De achterwielen van de rollator zijn nu geblokkeerd. Indien u de remhendel weer omhoog beweegt de-activeert u de parkeerrem.



Hoe gebruik ik de voorwielvergrendeling?

Op het frame boven elke voorvork treft u een rode clip aan welke u naar voor 'OPEN' en naar achter 'CLOSE' kunt bewegen. Door de rode clip op de stand 'OPEN' te zetten ontgrendeld u de voorwielvergrendeling en bewegen de voorwielen met de rollator mee. Als u de rode clip op de stand 'CLOSE' zet dan vergrendelt u de voorwielen en bewegen deze niet met de rollator mee.

Hoe moet ik mijn rollator onderhouden?

Wekelijks:

- Controleer of de remmen nog goed werken; let op slijtage en beschadigingen

Elke 3 maanden:

- Controleer of het kruisframe het in- en uitvouwen nog goed mogelijk maakt
- Controleer alle bouten en schroeven; zitten deze nog goed vast?
- Loszittende schroeven dient u vast te draaien en te zekeren met 'Loctite 435'. Volg hierbij de gebruiksaanwijzing van de producent
- Controleer het loopvlak van de banden op slijtage en oneffenheden
- Controleer de bekleding op slijtage
- Controleer de voor- en achterwielen op wielspeling

Alle scharnierende onderdelen zijn eenvoudig soepel te houden door ze regelmatig in te spuiten met een smeermiddel als WD-40.

Hoe maak ik mijn rollator schoon?

Met milde zeep en water kunt u de bekleding, het frame en de kunststof onderdelen reinigen. Het is ook aan te raden het frame met enige regelmaat in de was te zetten.

Gebruik nooit:

- Agressieve schuurmiddelen
- Hoge drukreiniger
- Stoom
- Schurende of oplossende was
- Schadelijke chemicaliën
- Siliconenspray.

Maak de rollator altijd goed droog als deze nat geworden is.

Hergebruik

De TRACK> rollator is geschikt voor hergebruik door verdere personen. Voor het hergebruik dient de rollator grondig gereinigd en gedesinfecteerd te worden.

De rollator moet door een geautoriseerde dealer op gebruiksvaardigheid gecontroleerd en akkoord bevonden worden.

5 Garantie

1. WheelzAhead® garandeert dat de rollator, gedurende de garantieperiode, bij normaal gebruik en onderhoud, vrij is van defecte onderdelen, materiaal- en fabricagefouten.
2. U heeft 24 maanden garantie op zowel het frame als het kruisframe, geldend vanaf de datum van aankoop door de oorspronkelijke koper. Op materiaal- of fabricagefouten heeft u ook 24 maanden garantie.
3. De garantie geldt alleen voor rollatoren die nieuw en ongebruikt, direct van WheelzAhead®, een geautoriseerde dealer of distributeur van WheelzAhead® gekocht zijn.
4. Om van service onder de garantievoorwaarden gebruik te maken dient u de originele factuur en het serienummer te overleggen.
5. De garantie is niet overdraagbaar.
6. Deze garantie is alleen van toepassing als zich, gedurende de garantieperiode, een defect voordoet, geheel of gedeeltelijk, ontstaan door een materiaal- of fabricagefout.
7. De garantie is niet van toepassing wanneer het defect veroorzaakt is door andere factoren, waaronder oa.:
 - A Normale slijtage.
 - B Misbruik, een ongeval of het niet opvolgen van de gebruiksaanwijzing.
 - C Onderhoud of aanpassingen aan de rollator uitgevoerd door anderen dan WheelzAhead® of een door WheelzAhead geautoriseerde dealer of distributeur.
 - D Gebruik van de rollator in combinatie met producten die niet door WheelzAhead® zijn goedgekeurd.
 - E Vervoer of ander transport.
8. Het volgende valt niet onder de garantie:
 - A Het vervangen van verslijtbare onderdelen. Het gaat hier om onderdelen als bekleding, banden, remblokken, binnenbuizen en soortgelijke onderdelen.
 - B Herstel of vervanging van de rollator gedurende transport of vervoer van of naar WheelzAhead®.
 - C Schade veroorzaakt tijdens of als gevolg van reparatie van de rollator.
9. Hoe u aanspraak kunt maken op de garantie staat hieronder omschreven.

Indien uw aanspraak niet wordt gehonoreerd;

 - A Zal WheelzAhead® de dealer, distributeur of u, indien u uw rollator direct bij WheelzAhead® heeft gekocht, informeren.
 - B Zal de dealer, distributeur of WheelzAhead, als u uw rollator direct bij WheelzAhead® heeft gekocht, indien door u verzocht de rollator repareren en u hiervoor de gangbare kosten in rekening brengen.

- C Indien van toepassing zullen alle kosten van vervoer van of naar de dealer, distributeur of WheelzAhead, als u uw rollator direct bij WheelzAhead® heeft gekocht, door u worden voldaan.

Hoe maakt u aanspraak op de garantie?

Neem contact op met de dealer, distributeur of WheelzAhead®, als u uw rollator direct bij WheelzAhead heeft gekocht.

- A U dient direct contact op te nemen met uw dealer, distributeur of WheelzAhead®, als u uw rollator direct bij WheelzAhead heeft gekocht, als zich een garantie-aanspraak voordoet.
- B U stuurt uw dealer, distributeur of WheelzAhead®, als u uw rollator direct bij WheelzAhead® heeft gekocht, uw originele factuur, serienummer en een omschrijving van de garantie-aanspraak (zo mogelijk voorzien van foto's en ander relevant materiaal)
- C Onderhevig aan de lokaal geldende wetgeving betaald u voor verpakking, transport en verzekering bij versturen/vervoeren van de rollator naar uw dealer, distributeur of WheelzAhead, als u uw rollator direct bij WheelzAhead® heeft gekocht.
- D Indien de garantie-aanspraak is geaccepteerd dan zal uw dealer, distributeur of WheelzAhead®, als u uw rollator direct bij WheelzAhead® heeft gekocht, onderhevig aan de lokaal geldende wetgeving voor zijn kosten; de rollator, of onderdelen, repareren of vervangen en de rollator aan u leveren.

Hergebruik

De TRACK> rollator is geschikt voor hergebruik door verdere personen. Voor het hergebruik dient de rollator grondig gereinigd en gedesinfecteerd te worden. De rollator moet door een geautoriseerde dealer op gebruiksviligheid gecontroleerd en akkoord bevonden worden.

WheelzAhead® BV

Polehof 38
6681 JB Bommel, Netherlands
+31 (0)481 - 45 01 10
office@wheelzahead.com
WheelzAhead.com

CoC 53888332
VAT NL851059867B01



wheelzahead®

LET'S GET MOVING

wheelzahead®

LET'S GET MOVING

Wheelchairs / Rollators / Ramps

E office@wheelzahead.com

W www.wheelzahead.com

TRACK >
wheelzahead®
LET'S GET MOVING



TRACK

wheelz ahead®

LET'S GET MOVING