

# VERMEIREN

## Aqua - Safari - Happy - Sporty

INSTRUCTION MANUAL



Aqua  
(2202)



Safari  
(2202)



Happy  
(2215)



Sporty  
(2215)





## **Instructions to the specialist dealer**

This instruction manual is part and parcel of the product and must accompany every product sold.

Version: E, 2015-03

All rights reserved, including translation.

No part of this manual may be reproduced in any form whatsoever (print, photocopy, microfilm or any other process) without written permission of the publisher, or processed, duplicated or distributed by using electronic systems.

© N.V. Vermeiren N.V. 2015



---

## Contents

<b>Preface</b> .....	<b>2</b>
<b>1 Product description</b> .....	<b>3</b>
1.1 Intended Use.....	3
1.2 Technical specifications .....	4
1.3 Drawing .....	5
1.4 Location identification plate.....	5
1.5 Accessories.....	6
1.6 Explanation of symbols.....	6
1.7 Safety rules .....	6
<b>2 Use</b> .....	<b>7</b>
2.1 Transport the tricycle.....	7
2.2 Operating the brakes.....	7
2.3 Operating the gear shifter .....	8
<b>3 Installation and adjustment</b> .....	<b>9</b>
3.1 Tools .....	9
3.2 Manner of delivery .....	9
3.3 Torque.....	9
3.4 Adjust the brakes .....	10
3.5 Adjusting the chain.....	10
3.6 Adjusting the handlebar .....	10
3.7 Adjusting the saddle .....	11
3.8 Tyre changing .....	11
<b>4 Maintenance</b> .....	<b>12</b>



## Preface

First of all we want to thank you for putting your trust in us by selecting one of our tricycles.

The Vermeiren tricycles are the result of many years of research and experience. During the development, special attention was given to the ease of use and the serviceability of the tricycles.

The expected lifetime of your tricycle is strongly influenced by the care and maintenance of the tricycle.

This manual will help you get acquainted with the operation of your tricycle.

Following the user instructions and the maintenance instructions are an essential part of the warranty.

This manual reflects the latest product developments. Vermeiren has the right to introduce changes without the obligation to adapt or replace previously delivered models.

For any further questions, please consult your specialist dealer.

# 1 Product description

## 1.1 *Intended Use*

The tricycle is designed to transport 1 person.

The tricycle is suited for outdoor use.

The user can ride with the tricycle by himself.

The different types of fittings and accessories, and the modular construction allow full use by persons disabled by:

- stiff or damaged joints
- heart insufficiencies and poor blood circulation
- balance disturbances
- cachexia (decrease in muscle)
- and also for aged persons.

When providing for individual requirements:

- body size and weight (max. 40 kg for 2202 and 60 kg for 2215)
- physical and psychological condition
- residential circumstances
- environment

should be taken into consideration.

The tricycle should not be used to transport heavy objects.

Use only Vermeiren approved accessories.


The manufacturer is not liable for damage caused by the lack of or improper service or as a result of not following instructions from this manual.

Compliance with the user and maintenance instructions are an essential part of the guarantee conditions.

Visually impaired people can contact the dealer for the instructions for use.

## 1.2 Technical specifications

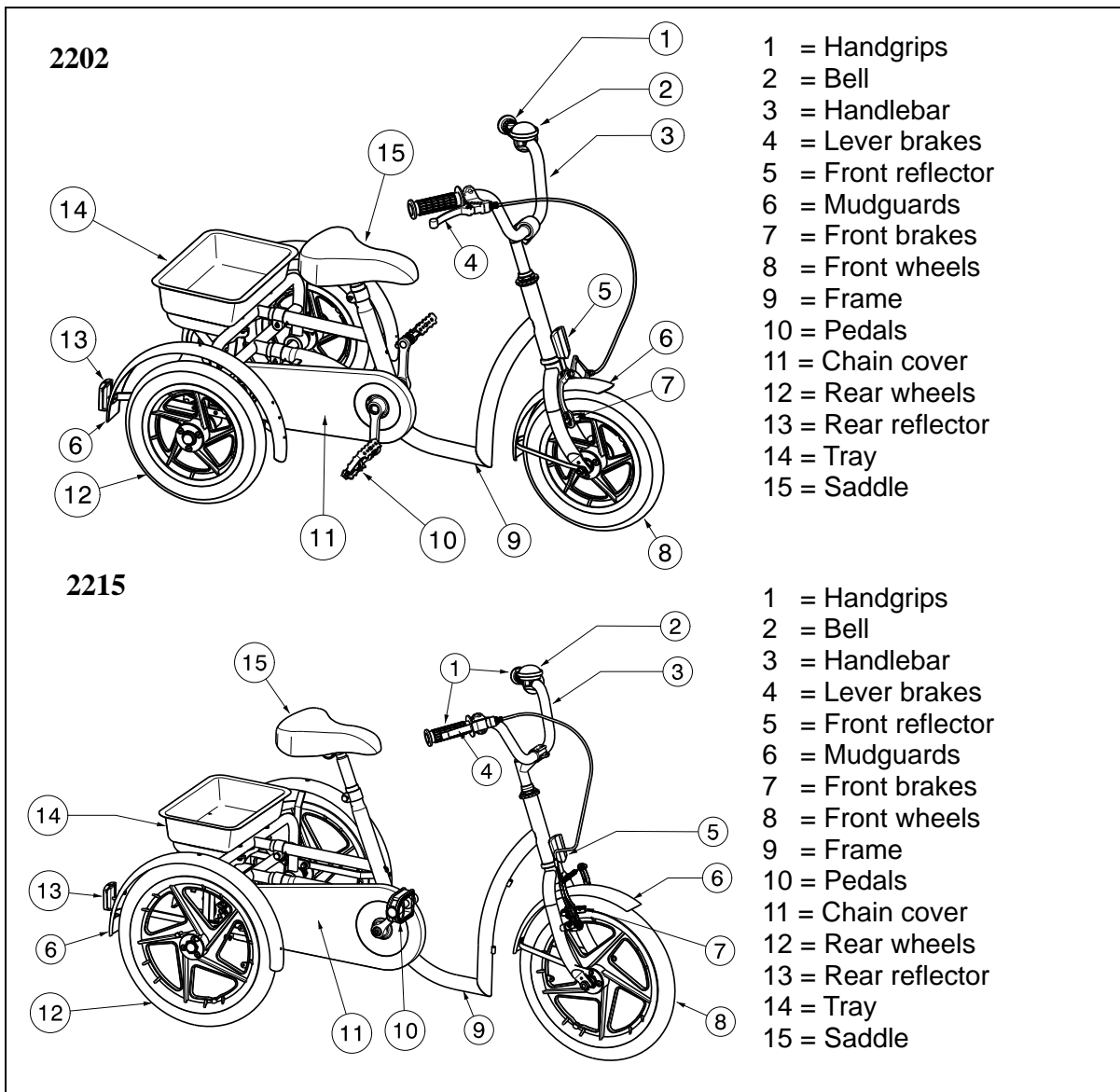
Technical terms below are valid for the tricycle in standard settings.

<b>Make</b>	<b>Vermeiren</b>		
<b>Address</b>	<b>Vermeirenplein 1/15, B-2920 Kalmthout</b>		
<b>Type</b>	<b>Tricycle</b>		
<b>Description</b>	<b>2202 Aqua, Safari</b>	<b>2215 Sporty, Happy</b>	
<b>Maximum occupant mass</b>	<b>40 kg</b>	<b>60 kg</b>	
<b>Maximum load basket</b>	<b>5 kg</b>	<b>5 kg</b>	
Overall width	648mm	648mm	
Overall length	1110mm	1294mm	
Overall height	726mm - 838 mm	827mm - 940mm	
Total mass	14,05kg	16,5kg	
Maximum safe slope	7°	7°	
Ground clearance	85mm	100mm	
Height frame tube (entry height)	118mm	133mm	
Diameter front tires	12`` x 2.00	16``x1.75	
Pressure front tires	2.4-3 bar	2.0 bar	
Diameter rear tires	12`` x 2.00	16``x1.75	
Pressure rear tires	2.4-3 bar	2.0 bar	
Height saddle	498mm - 627 mm	594mm - 762mm	
Height handgrips (measured from the ground)	It depends of handlebar model and stem	It depends of handlebar model and stem	
Minimum height pedal	108mm	112mm	
Maximum height pedal	287mm	361mm	
Distance between saddle and steering	218mm - 229mm Adjustable: 0 mm	279mm - 303 mm Adjustable: -20 mm	
Turning diameter	2000mm	2350mm	
Rear gear	-	3	
Front gear	-	-	
Gear ratio	-	184%	
Brakes	Clamp brake – Front; Torpedo - Rear	V-brake – Front; Torpedo – Rear	
Storage and use temperature	+ 5 °C - +41°C		
Storage and use humidity	30% - 70%		

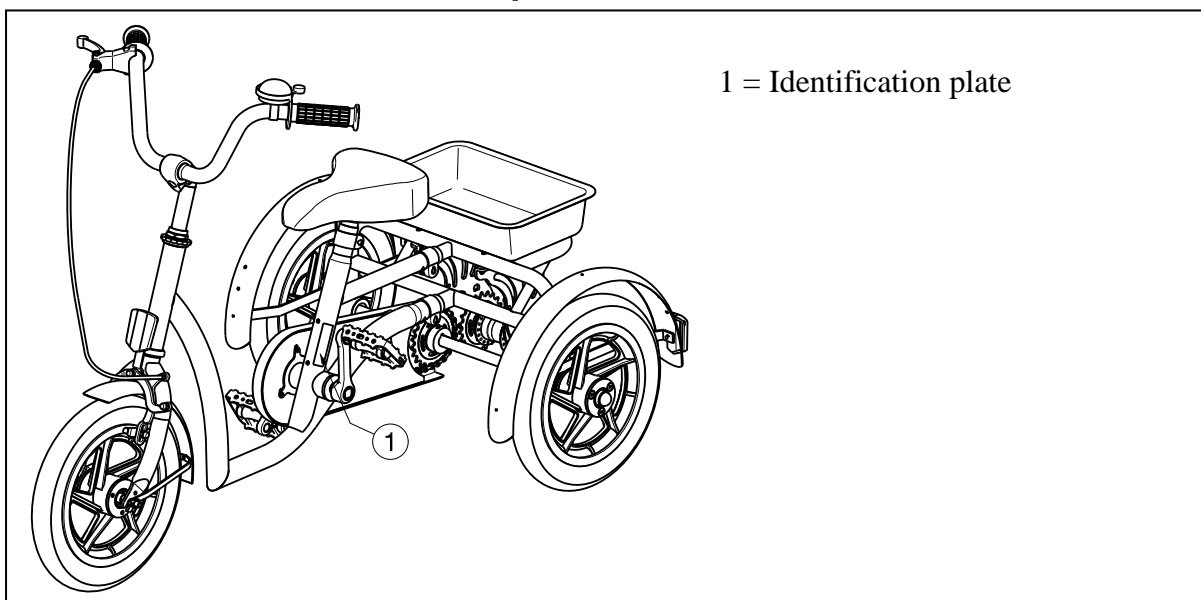
We reserve the right to introduce technical changes. Measurement tolerance  $\pm 15$  mm / 1,5 kg / °

*Table 1: Technical specifications*

### 1.3 Drawing



### 1.4 Location identification plate



## 1.5 Accessories

- Handlebars
- Adjustable handlebar bracket
- Hand holder / belt
- Handlebar lock system
- Back support / pelvic support
- Adjustable saddles
- Pedals with straps / foot supports
- Pushbar for parent
- Lights
- Speedometer
- Drink holder
- Mirror

Contact your specialist dealer about accessories. He will gladly advise you.

## 1.6 Explanation of symbols



Maximum mass



CE conformity



Type designation

## 1.7 Safety rules

- ⚠ To prevent injury and/or damage to your tricycle, make sure that no objects and/or body parts are caught in the spokes of the wheels.
- ⚠ Investigate the effects of shifting the centre of gravity on the behavior of the tricycle, for example on up or down gradients, on laterally sloping ground, or when overcoming obstacles.
- ⚠ The tricycle must be used according the applicable traffic regulations.
- ⚠ When riding your tricycle, you should not be under the influence of alcohol or medicine as in the case of riding other vehicles.
- ⚠ Adapt your riding to weather and traffic conditions.
- ⚠ To be better visible when riding in the dark, wear the brightest possible clothing or clothes with reflectors, and check that the reflectors mounted on the front and rear of the tricycle are clearly visible.
- ⚠ Never exceed the maximum load of your tricycle.
- ⚠ Risk of burns – Be careful when riding in hot or cold environments (sunshine, extreme cold, saunas, etc.) for a sufficient amount of time and when touching - Surfaces can assume the environment temperatures.
- ⚠ Be careful when riding in bends the tricycle can loss sideways stability.



## 2 Use

This chapter describes the everyday use. **These instructions are for the user and the specialist dealer.**

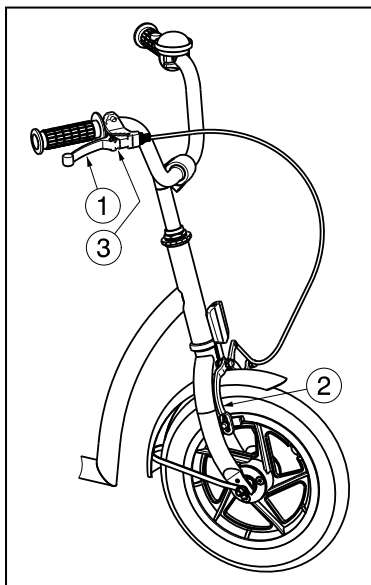
The tricycle is delivered fully assembled by your specialist dealer. Only the handlebar needs to be adjusted upwards. The instructions intended for the specialist dealer on how to set up the tricycles are given in § 3.

### 2.1 Transport the tricycle

The best way to move the tricycle is to make use of the wheels and roll the tricycle to the desired place.

### 2.2 Operating the brakes

- ⚠ **WARNING:** Good operation of the brakes is influenced by wear and contamination of the tires (water, oil, mud, ...) – Check the condition of the tires before each use.
- ⚠ **WARNING:** The brakes are adjustable and can wear – Check the operation of the brakes before each use.



To apply the front wheel brake:

1. Push the brake lever ① to the handgrip.
2. The brake ② shall be pressed against the front wheel.

To release the front wheel brake:

1. Release the brake lever ①.

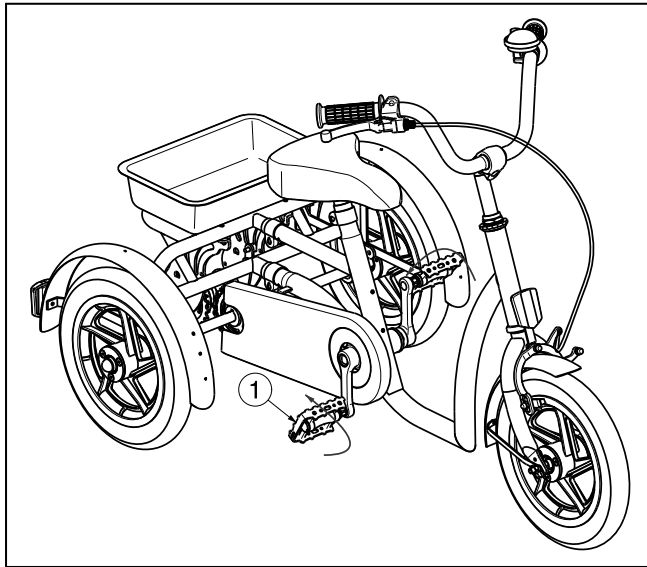
Activating the parking brakes:

Block the brakes by pushing the plate ③.

The rear wheel brake can be activated with the same instructions like the front wheel brake. Left or right side lever can be chosen with the purchase.

To apply the torpedo brake ② off the rear wheels:

1. Turn the pedals ① backwards.

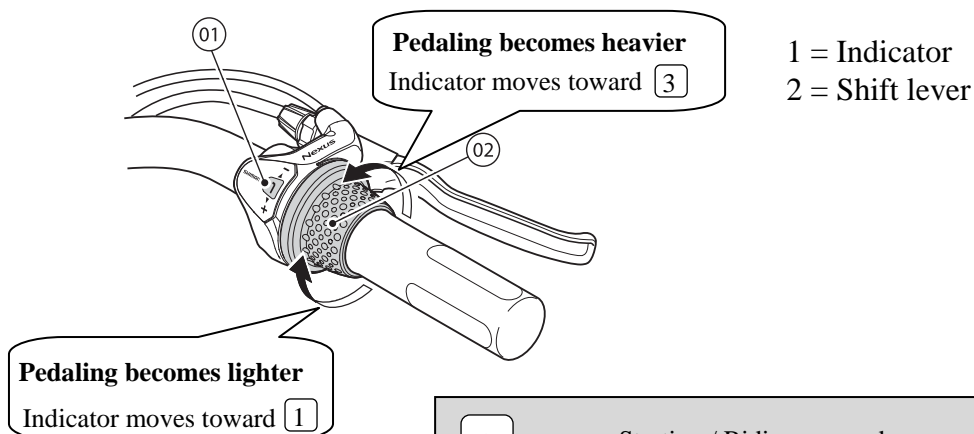


### 2.3 Operating the gear shifter

The gear shifter is only available for the 2215 tricycle.

**⚠ CAUTION: Risk of injury - Be sure to shift the lever one gear at a time, and reduce the force being applied to the pedals during shifting. If you try to force operation of the shifting lever while the pedals are being turned strongly, your feet may come off the pedals and the tricycle may topple over.**

Turn the shift lever to shift to each of the three gears.



- |   |       |  |
|---|-------|--|
| 1 | ..... | Starting / Riding on sandy or rough road surfaces / Riding up slopes / Carrying heavy loads / Riding into head winds / When the light is illuminated |
| 2 | ..... | Riding on flat road surfaces   |
| 3 | ..... | Riding at high speeds  |

### 3 Installation and adjustment

The instructions in this chapter are for the specialist dealer.

The Vermeiren tricycles 2202, 2215 have been designed entirely for your comfort. This tricycle can be adjusted to individual requirements as explained below.

To find a service facility or specialist dealer near you, contact the nearest Vermeiren facility. A list of Vermeiren facilities can be found on the last page.

**⚠ WARNING: Risk of unsafe settings - Use only the settings described in this manual.**

**⚠ WARNING: Variation of allowed adjustments can still change the stability of your tricycle (tilt back or sideways).**

#### 3.1 Tools

To set up the tricycle the following tools are needed.

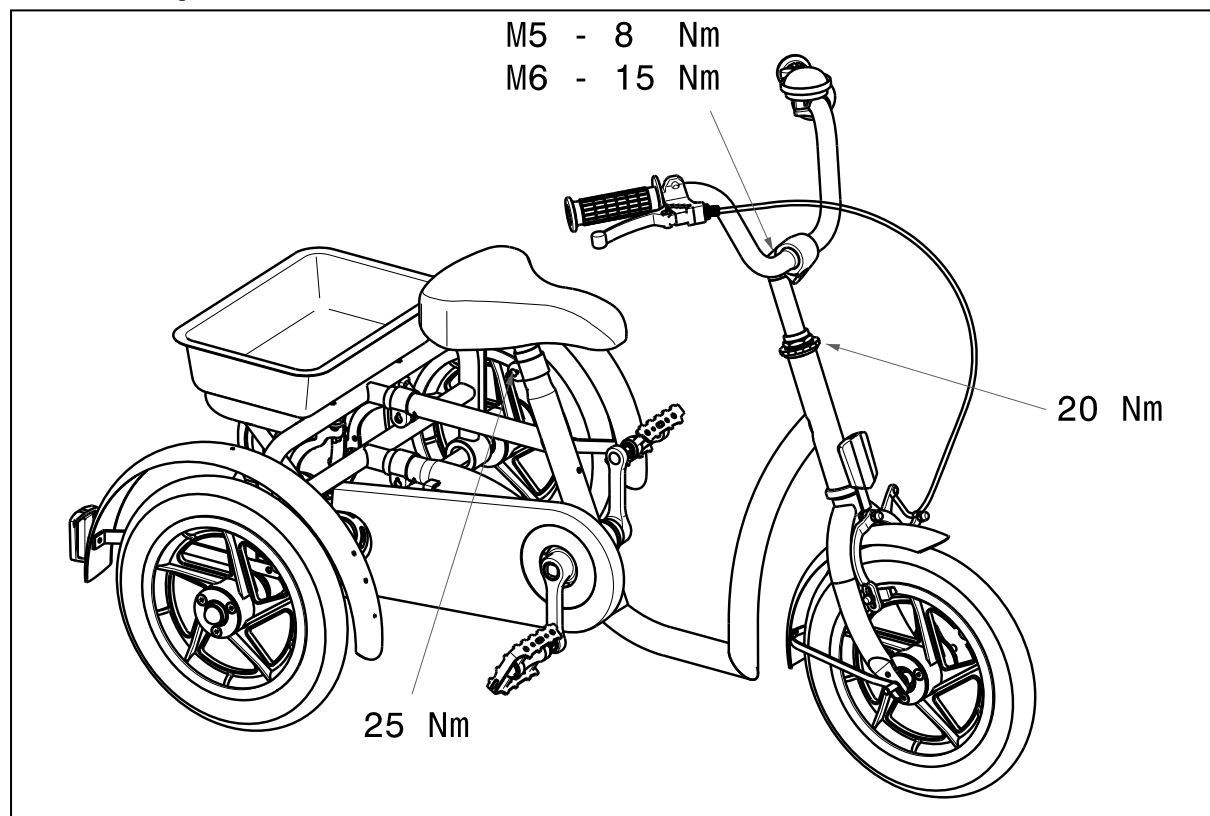
- Wrench set n° 13
- Allen key set n° 5, 6

#### 3.2 Manner of delivery

The Vermeiren tricycles shall be delivered with:

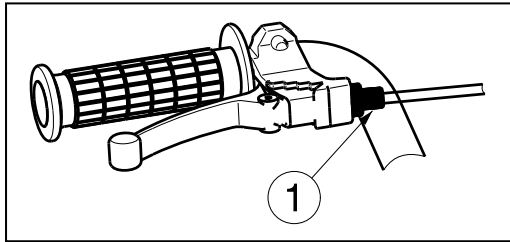
- 1 frame with rear and front wheels
- pedals
- saddle
- handlebar + handgrips
- bell
- basket
- instruction manual
- accessories

#### 3.3 Torque



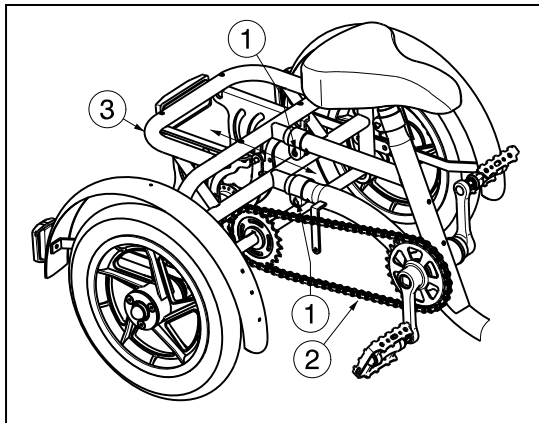
### 3.4 Adjust the brakes

Adjust the brakes according following rules:



1. The brake tightness can be adjusted by the brake cable adjuster ①.

### 3.5 Adjusting the chain



The wheels of the tricycle are driven by a chain ② on the rear axle.

For first time use the chain ② is set in the factory. After a while it is possible that the chain ② runs off the axle, the chain ② has to be tightened by extending the frame of the tricycle:

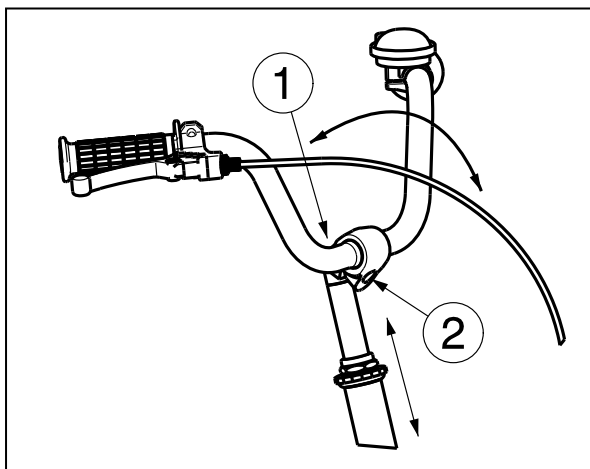
On the frame behind the saddle tube you see two horizontally mounted length-adjustable tubes.

By unscrewing the clamping screws ① on both tubes, the frame ③ can be extended. When the chain between the two chain-wheels can be moved  $\pm 20$  mm, the chain ② tension is correct.

After adjusting the frame length, retighten the clamping screws ①.

### 3.6 Adjusting the handlebar

**⚠ CAUTION: Risk of injury – Check that the handlebar is firmly secure before using the tricycle.**



The height and angle of the handlebar can easily be adjusted.

Adjusting height:

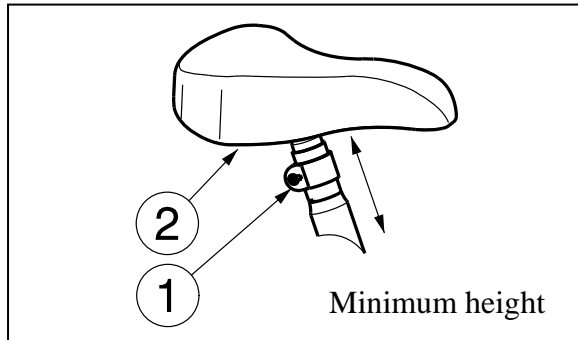
1. Loosen the screw ①.
2. A softly tap on the head of the cone.
3. Adjust the height of the handlebar to a comfortable position (stepless -- depends on handlebar model).
4. Tighten the screw ① properly.

Adjusting angle:

1. Loosen the screw ②.
2. Adjust the angle of the handlebar to a comfortable position (stepless).
3. Tighten the screw ② properly.

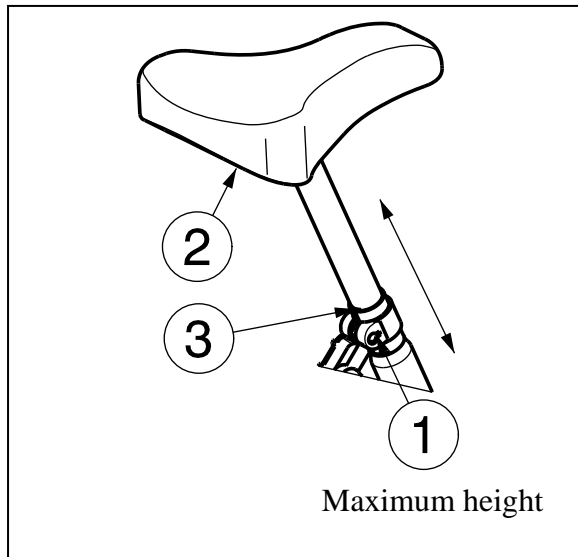
### 3.7 Adjusting the saddle

- ⚠ **CAUTION:** Risk of injury - Never adjust the saddle when the user is sitting on the saddle.
- ⚠ **CAUTION:** Risk of injury – Check that the saddle is firmly secure before using the tricycle.



Adjust the height of the saddle as follow (stepless):

1. Loosen the screw ①.
2. Adjust the height of the saddle ② to a comfortable position.
3. Tighten the screw ① properly.



The maximum height is indicated with a straight line ③.

### 3.8 Tyre changing

- ⚠ **CAUTION:** There must be no air in the tube before it can be removed.
- ⚠ **CAUTION:** Risk of damage - If handled improperly, the rim might be damaged.

If you want to change the tyres or inner tubes, you should note the following:

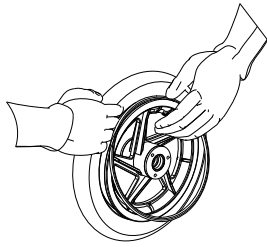
Before you can remove a tyre, you must let all the air out of the tube, and insert a tyre lever between the tyre and the rim. Then slowly and carefully push the lever downwards. This will pull the tyre over the edge of the rim. If you then move the lever along the rim, the tyre will jump out. Now carefully remove the tyre from the rim and then remove the tube.

#### **Note the following before inserting the new tube:**

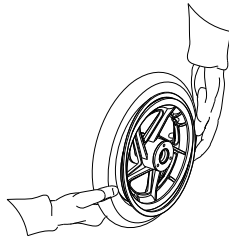
Check the rim bed and the inside wall of the tyre for foreign matter and clean these properly if necessary. Check the condition of the rim bed, especially around the position of the air valve. Please use only genuine original replacement parts. No liability is accepted for damage caused by non-genuine replacement parts. Kindly contact your specialist dealer.

**Assembly:**

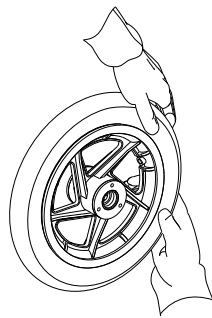
- ⚠ WARNING: Risk of injury - Check that the pressure is correct.**
- ⚠ CAUTION: Risk of injury - Make sure that no objects or body parts are pinched between the tyre and the rim when mounting a tyre.**



Put the deflated tube around the center of the rim. Make sure that the valve juts out the valve opening in the rim.



Push the tyre over the edge of the rim, starting behind the air valve. Inflate the tube slightly until it is round, and place it inside the tyre.



If the tube fits snugly inside the tyre without any folds (in the case of folds: let out some air), then the upper side of the tyre can be pressed lightly onto the rim with both hands, starting at the air valve.

Check all around on both sides that the tube is not pinched between the rim and the edge of the tyre. Lightly push the air valve inwards and pull it out again to make sure that the tyre is positioned properly in the region of the air valve.

To ensure that the wheel is inflated correctly, admit only so much air initially that the tyre can still be easily pushed inwards by using your thumbs. If the check-lines are equidistant from the edge of the rim on both sides of the tyre, then the tyre is centered properly. If not - let out the air and position the tyre afresh. Now the tyre can be inflated to its full operating pressure (note the maximum) and the valve cap should be replaced.

Only an expert can guarantee correct assembly. Work not done by your specialist dealer, would void any warranty claims.

When inflating the tyres, always check that the pressure is correct. The correct pressure is given on the tyre walls.

Use only inflating equipment which complies with regulations and indicates the pressure in bar. We do not accept any liability for damage caused by using inflation equipment not supplied by the manufacturer.

## 4 Maintenance

For the maintenance manual of the tricycles refer to the Vermeiren website:  
[www.vermeiren.be](http://www.vermeiren.be).



EN: The mudguards are not mounted.

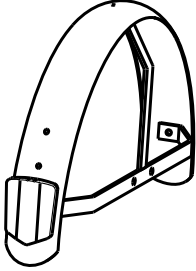
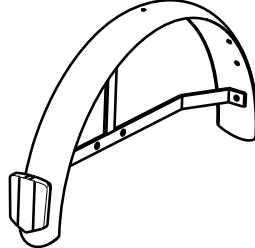
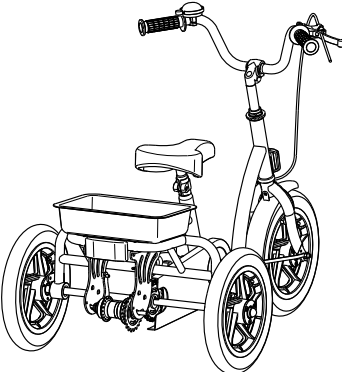
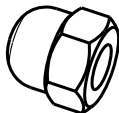
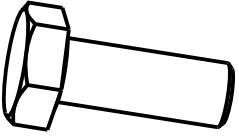
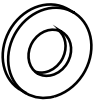


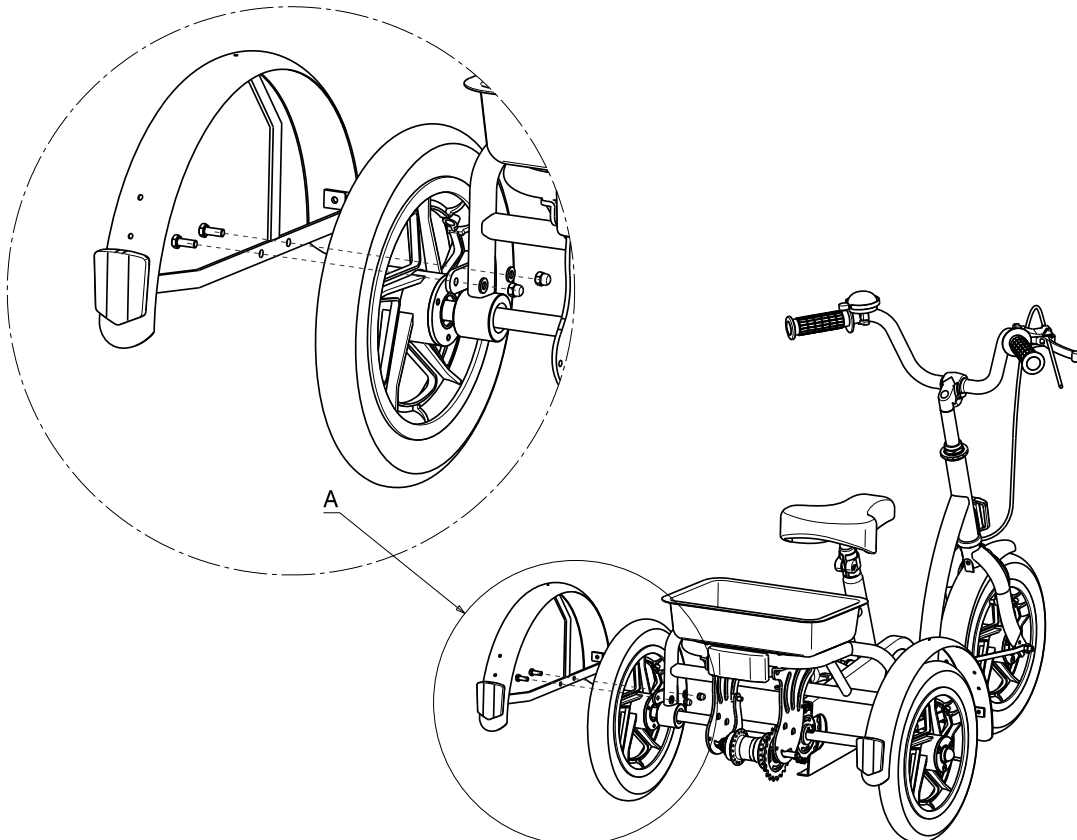
EN

Take care when removing the tricycle out the package. First mount the mudguards! Do not forget to perform a safety check: once you have mounted the mudguards, check that the mudguards are firmly mounted.



Please, observe the instructions of the manual!

1		1	
1		4	
4		4	





**SERVICE**

The tricycle was serviced:

Dealer's stamp:

Date:

Dealer's stamp:

Date:

Dealer's stamp:

Date:

Dealer's stamp:

Date:

Dealer's stamp:

Date:

Dealer's stamp:

Date:

Dealer's stamp:

Date:

Dealer's stamp:

Date:

Dealer's stamp:

Date:

Dealer's stamp:

Date:

- For service checklists an additional technical information, please see our specialist dealers nearest to you. More information on our website at: [www.vermeiren.com](http://www.vermeiren.com).





---

## Notes

A series of horizontal dotted lines for taking notes.



---

## Notes

A series of horizontal dotted lines for writing notes.



## Belgium

### N.V. Vermeiren N.V.

Vermeirenplein 1 / 15  
B-2920 Kalmthout  
Tel: +32(0)3 620 20 20  
Fax: +32(0)3 666 48 94  
website: [www.vermeiren.be](http://www.vermeiren.be)  
e-mail: [info@vermeiren.be](mailto:info@vermeiren.be)

## France

### Vermeiren France S.A.

Z. I., 5, Rue d'Ennevelin  
F-59710 Avelin  
Tel: +33(0)3 28 55 07 98  
Fax: +33(0)3 20 90 28 89  
website: [www.vermeiren.fr](http://www.vermeiren.fr)  
e-mail: [info@vermeiren.fr](mailto:info@vermeiren.fr)

## Italy

### Vermeiren Italia

Viale delle Industrie 5  
I-20020 Arese MI  
Tel: +39 02 99 77 07  
Fax: +39 02 93 58 56 17  
website: [www.reatime.it](http://www.reatime.it)  
e-mail: [info@reatime.it](mailto:info@reatime.it)

## Poland

### Vermeiren Polska Sp. z o.o

ul. Łączna 1  
PL-55-100 Trzebnica  
Tel: +48(0)71 387 42 00  
Fax: +48(0)71 387 05 74  
website: [www.vermeiren.pl](http://www.vermeiren.pl)  
e-mail: [info@vermeiren.pl](mailto:info@vermeiren.pl)

## Czech Republic

### Vermeiren ČR S.R.O.

Nadrazni 132  
702 00 Ostrava 1  
Tel: +420 596 133 923  
Fax: +420 596 133 277  
website: [www.vermeiren.cz](http://www.vermeiren.cz)  
e-mail: [info@vermeiren.cz](mailto:info@vermeiren.cz)

## Germany

### Vermeiren Deutschland GmbH

Wahlerstraße 12 a  
D-40472 Düsseldorf  
Tel: +49(0)211 94 27 90  
Fax: +49(0)211 65 36 00  
website: [www.vermeiren.de](http://www.vermeiren.de)  
e-mail: [info@vermeiren.de](mailto:info@vermeiren.de)

## Austria

### Vermeiren Austria GmbH

Schärdinger Strasse 4  
A-4061 Pasching  
Tel: +43(0)732 37 13 66  
Fax: +43(0)732 37 13 69  
website: [www.vermeiren.at](http://www.vermeiren.at)  
e-mail: [info@vermeiren.at](mailto:info@vermeiren.at)

## Switzerland

### Vermeiren Suisse S.A.

Hühnerhubelstraße 59  
CH-3123 Belp  
Tel: +41(0)31 818 40 95  
Fax: +41(0)31 818 40 98  
website: [www.vermeiren.ch](http://www.vermeiren.ch)  
e-mail: [info@vermeiren.ch](mailto:info@vermeiren.ch)

## Spain / Portugal

### Vermeiren Iberica, S.L.

Carratera de Cartellà, Km 0,5  
Sant Gregori Parc Industrial Edifici A  
17150 Sant Gregori (Girona)  
Tel: +34 972 42 84 33  
Fax: +34 972 40 50 54  
website: [www.vermeiren.es](http://www.vermeiren.es)  
e-mail: [info@vermeiren.es](mailto:info@vermeiren.es)