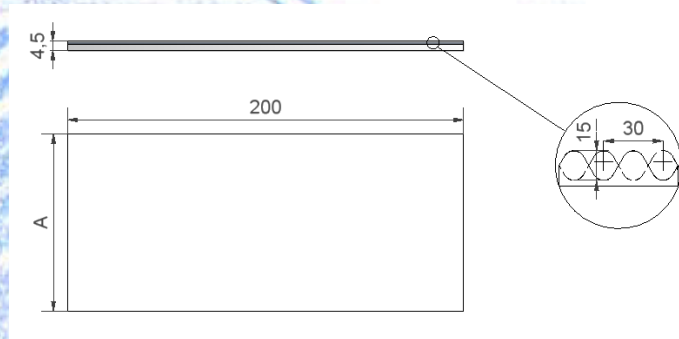


## Chiroform®™ Top Mattress

The Chiroform Top Mattress consists of open-celled visco-elastic foam of 90 KGs/Cbm which allows the material to breathe. The visco-elastic foam responds perfectly to the body temperature and dynamics. In other words: the Chiroform top mattress makes a mould of the body, giving optimal support and pressure relieving effect.



### Product numbers

C142	Top Mattress	A= 70x200x5 cm
C141	Top Mattress	A= 90x200x5 cm
C174	Top Mattress	A=140x200x5 cm
C175	Top Mattress	A=180x200x5 cm

Available in individual sizes by request!

### Specifications

Visco-Foam:	70/55 mm thick type memory foam VM90070. Økotex Approved. Density (core) ISO 845 / DIN 53420: - 76-83 Kgs/Cbm. Hardness index 40% (ILD): -67-86N, 40%, 23° C. Compression set ISO 1856 / DIN 53572: - approx. 2,5%.
Contents:	Polyetherpolyol, Toluendiisocyanate, Liquid Paraffin, Water, Mine-catalyst, Stannooctoact, Polyethersiloxane.
Retail Cover:	100% velour. 155 g/sqm.

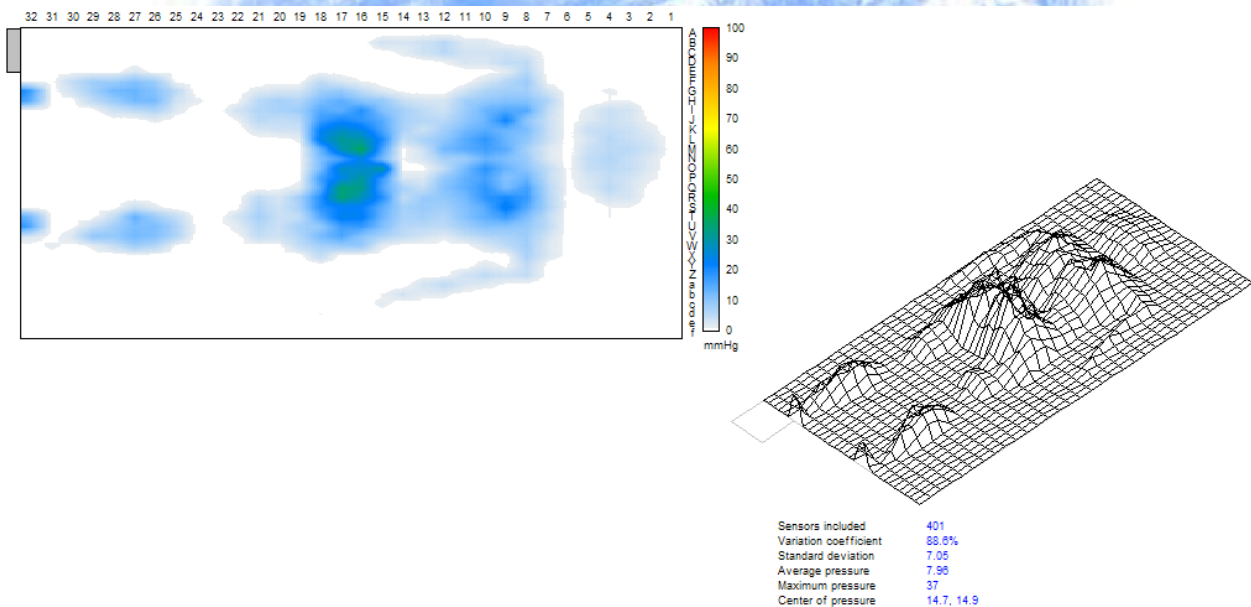
**Cleaning:** Dry or damp autoclave cleaning is possible with original cover fitted as protection against tears, as warm and moist memory foam remains sensible to mechanical exposure until completely dry and cool. Cover can be washed at max. 30° C. The cover may slightly shrink up to 5%. Turn cover inside out before washing.

**Hospital Cover:** Polyurethane coated polyester fabric 205 g/sgm (Økotex-approved) – stops penetration of dusts and liquids, but passes through the body heat and vapour.

**Cleaning:** Dry or damp autoclave cleaning is possible with original cover fitted as protection against tears, as warm and moist memory foam remains sensible to mechanical exposure until completely dry and cool.

Cover can be cleaned with moist cloth with mild soap or detergent, or it may be machine washed at 95° C and spin-dry at max. 1200 rev/min. It may also be tumble dried at max. 40° C.

**FSA Pressure Mapping:**



## Practical Advise

It is optional to use the top mattress with upside of the plain side or the convoluted side.

Most people will experience the Chiroform®™ top mattress as a perfect mattress for ideal support and good quality of sleeping. If room temperature is very low, the memory foam of the top mattress becomes stiff. This is quite normal for the material, which has been constructed to react sensitively on body heat. It can be avoided at a room temperature above 14-17° C. A slight scent of new material may occur just after removal of transport packaging, but it should not cause any alarm, as it is harmless and will disappear in the course of a few days.

## Copyrights/Trademarks/Patents

This specification sheet, including, but not limited to, all text, images, figure and the name of Chiroform presented hereon, as well as their arrangement and assembly (collectively, the "Content"), is the property of Chiroform Ltd. and is protected by Danish and international copyright laws. While Chiroform Ltd. makes the Content available to all users, Chiroform Ltd. retains all copyright and related proprietary rights therein. Accordingly, you may not, without the express written permission of Chiroform Ltd.: copy or distribute the Content or any portion thereof; mirror or include the Content or any portion thereof on your own documents; or modify or re-use any portion of the Content. You may make a single copy of the Content for your own personal use. Chiroform Ltd. reserves all other rights in the Content.

Trademark patent no: VA2007 01362 and IR00963673.

## CE Mark

The Top Mattress of Chiroform ®™ conform and complies with the European medical CE mark.

Copyright ®. This Document is the Property of Chiroform, and may not be copied or given to a third part without written permission of Chiroform.



Tingvej 7, DK-8800 Viborg, Tel. +4586613611  
WWW.CHIROFORM.DK