



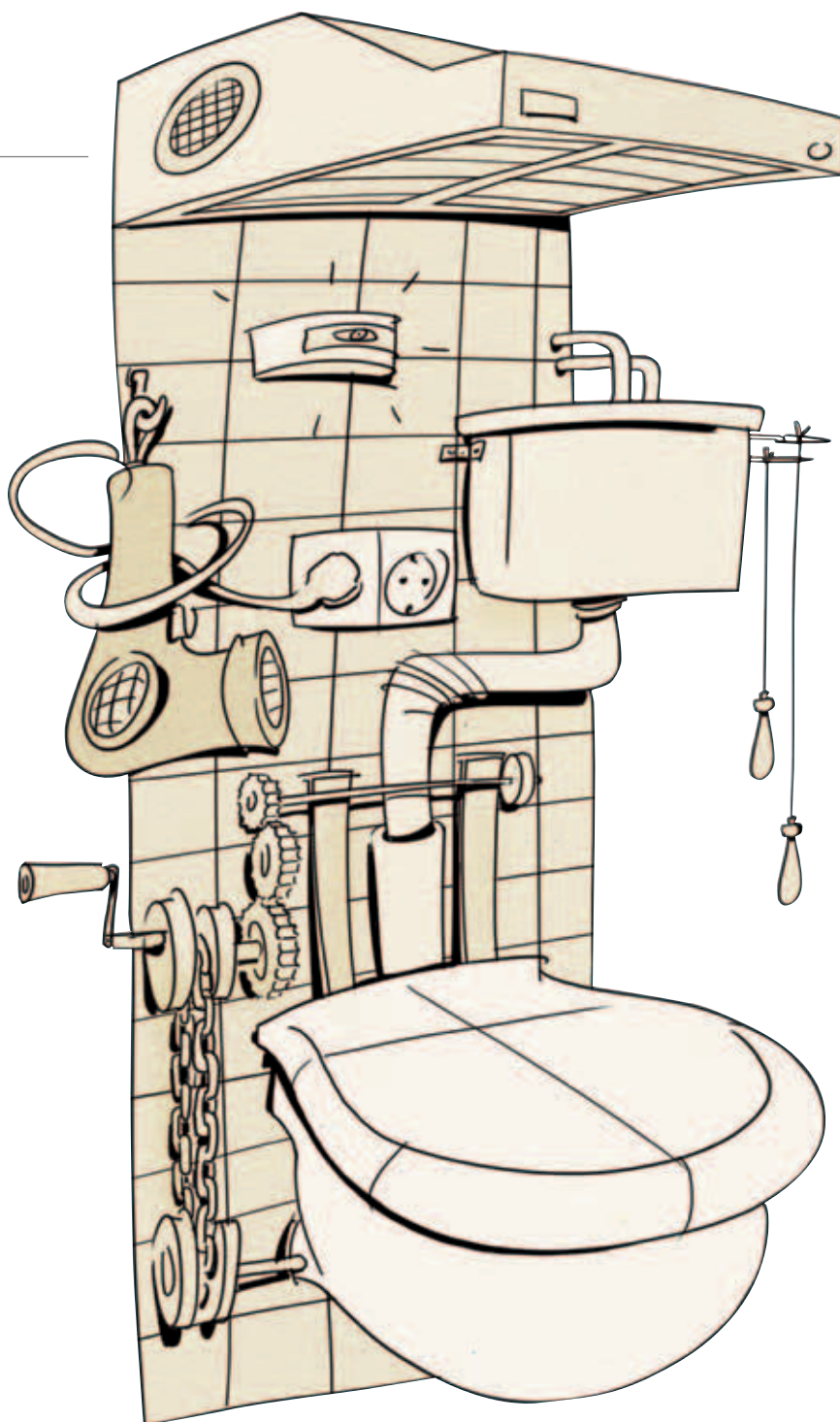
TECElux toilet terminal –
the toilet of the future

TECE:
Intelligent housing technology

Contents

TECElux – design	Page 4-5
TECElux sen-Touch	Page 6-9
TECElux ceramic-Air	Page 10-11
TECElux m-Lift	Page 12-13
TECElux smart-Connect	Page 14-15
TECElux – technology and installation	Page 16-21
TECElux – sen-Touch – programming	Page 22-23
TECElux – product range	Page 24-25
TECElux – installation dimensions	Page 26-27

TECElux – a crazy idea?



The multifunctional toilet, complete with odour trap, touch actuation, dual flush and height adjustment: from the cartoonist's perspective, something of a crazy idea.

With this brochure, we want to show you that the toilet of the future can look quite different, namely functional and highly aesthetic. We hope you enjoy the read!

At www.tece.com you can find the TECElux trailer and much more information about the toilet of the future.



TECElux has already received numerous awards for its intelligent combination of design and function.



reddot design award
winner 2011



product
design award

2012



INNOVATIONSPREIS

ARCHITEKTUR+TECHNIK



Designpreis
Deutschland
2012

NOMINIERT

TECElux – it's all on the inside rather than on the outside...

The toilet terminal TECElux hides the working parts behind the wall.

An extremely flat glass facing covers the inspection opening and conceals the cistern, connections for water and power and, depending on the version, an odour trap or height adjustment for the ceramics.

With its simple aesthetics, TECElux blends in with the architecture of any bathroom. The terminal's large glass surface consists of two parts that give the appearance of a single unit. The glass facing serves as a splash guard for the wall and therefore means the wall does not have to be tiled. The toilet terminal can be combined with practically any ceramics and even with shower toilets.



"sen-Touch"

The buttons light up when you get closer. The flush is actuated by a slight touch or without contact.



"m-Lift"

The toilet for large and small – the height of the toilet ceramic can be adjusted within an eight-centimetre range.



"ceramic-Air"

The air is always fresh thanks to ceramic-Air with ceramic activated carbon filter.



"smart-Connect"

The toilet terminal can be combined with practically any ceramics and with shower toilets.



TECElux sen-Touch – flush like pure magic



"sen-Touch"

The electronic flush actuation TECElux sen-Touch:

A sensor detects when a person is approaching the toilet, and only illuminates the flush buttons then. A slight touch with the fingertips is all that is needed to actuate a large or small flush. At a range of 10 mm the flush can even be actuated without any contact at all. The electronic flush actuation is illuminated with energy-saving LEDs.

Mechanical actuation:

With the mechanical actuation option, the flush is actuated by buttons. These are available in white and bright chrome.



TECElux sen-Touch – programmed comfort



"sen-Touch"

The programming options of the sen-Touch electronics enable the advanced version of TECElux to be adapted to individual needs and a range of requirements. Input is possible in the first hour after connection to the power supply using the touch panel and can be carried out easily following the operating instructions.

Programmable functions:

- 1.) Sensor recognition range
- 2.) Illumination brightness of the display
- 3.) Hygiene flush
- 4.) Safety flush
- 5.) Subsequent odour extraction
- 6.) Odour extraction intensity
- 7.) Cleaning function

A detailed description of the programming functions can be found on pages 23 and 24.



TECElux ceramic-Air – fresh air without ventilation



"ceramic-Air"

Fresh air without ventilation:

The ceramic-Air air purification system uses a new kind of ceramic activated carbon filter.

Odours are extracted where they occur and the purified air is fed back into the room. There is no need for additional fresh air that first has to be heated.

The air purification system starts when a person approaches, and stops automatically after a short follow-up time. This avoids unnecessary power consumption.

The ceramic activated carbon filter has a long life and only has to be replaced after around five years.



TECElux m-Lift – the toilet for large and small



"m-Lift"

TECElux enables the height of the toilet ceramics to be adjusted at any time, even after installation of the module. The ceramics do not have to be removed.

The height of the ceramics can be continuously adjusted in an eight centimetre range with an adjusting spindle. The glass front moves with the ceramics, so the overall appearance is not marred by joints or gaps.



TECElux smart-Connect – open for all technologies



"smart-Connect"

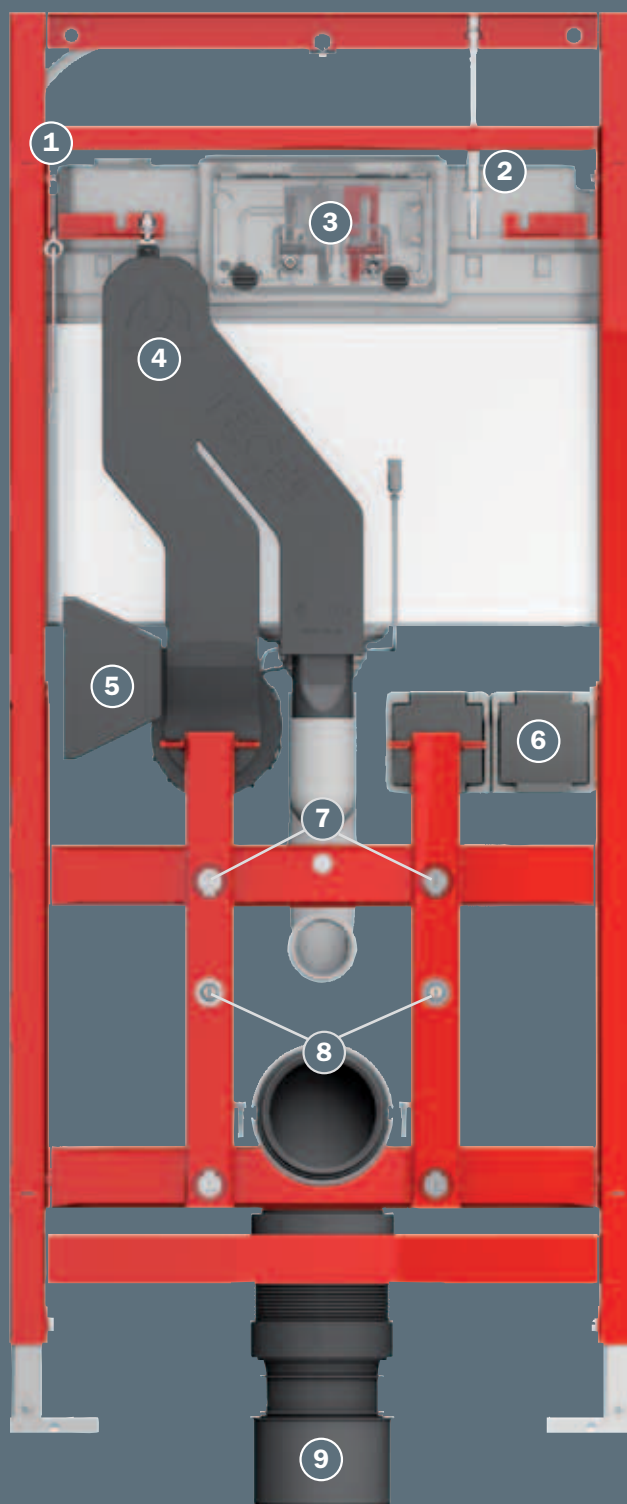
Additional functions on the toilet require space, and frequently also a power or extra water connection. Up until now, the elements were simply added on to the ceramics and the water and power lines installed visibly next to the toilet.

These makeshift solutions are now a thing of the past. The new toilet terminal takes equal account of aesthetic and functional factors:

TECElux integrates the technical components in the pre-wall module invisibly and safely. The large inspection opening is covered by a flat glass facing that permits quick access to the system parts behind it at any time.

As an open interface between the toilet functions and bathroom architecture, the toilet terminal can be combined with almost any ceramics, including shower toilets. Water and power connections are concealed behind the wall.

The TECElux module is available in three different versions (see page 24-25). All modules consist of the same self-supporting, stable mounting frame and the tried-and-trusted TECE dual flush cistern.



- 1.) Flexible water connection (concealed)
- 2.) Adjusting screw for height adjustment
- 3.) Electronic dual flush actuation
- 4.) ceramic-Air odour trap
- 5.) Exit opening for cleaned air, activated carbon filter
- 6.) Power connection, sockets*
- 7.) Depth-adjustable support for the lower glass facing
- 8.) Retaining bolts for ceramics
- 9.) Flexible drain bend

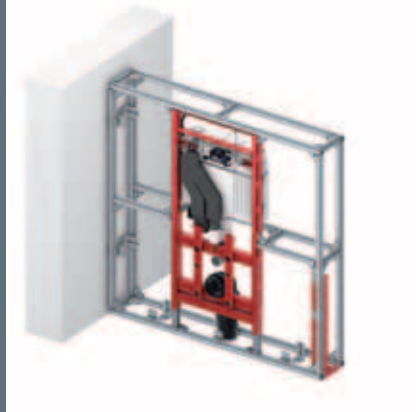
* (not within the scope of delivery)

TECElux – technology and installation

Like every other TECEprofil module, TECElux can be installed in different ways.



Installation in a TECEprofil pre-wall



Installation in a free-standing TECEprofil wall



Installation as an individual module in front of a brick wall



Corner construction: Installation with variable corner fixing

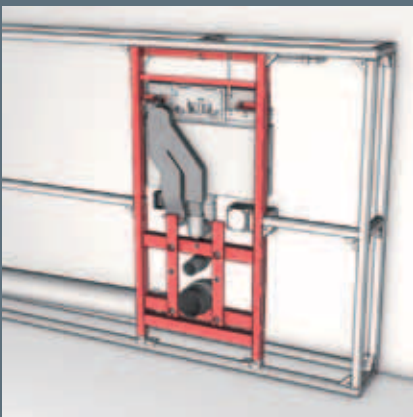


Installation in a metal post-and-beam, C-profile or UA-profile wall



Installation in a wooden post-and-beam wall

Despite the functional variety of the TECElux module, assembly can be carried out in just a few simple work steps. Thanks to the sophisticated TECE pre-wall technology, the wheel does not need to be reinvented!



Installation of the module, e.g. in a TECEprofil pre-wall. Water, waste water and power are connected.



The bare-wall protection system is mounted before cladding.



The pre-wall is covered with TECEprofil panels. The space for the module is cut out and tiled.

TECElux – technology and installation



After removal of the bare-wall protection system, the support for the lower glass facing is adapted to the wall thickness. The depth is adjusted by means of two adjusting nuts in the frame.



After the retaining bolts have been attached, the lower glass facing is mounted and the ceramics installed.

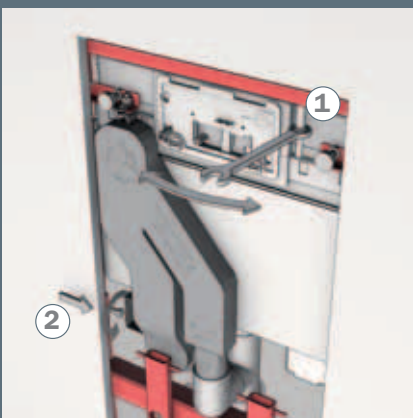


When the upper glass plate has been installed, assembly is complete.

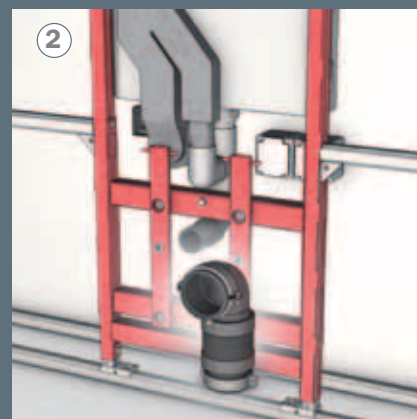
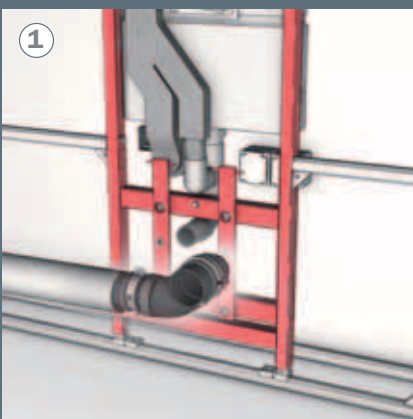
The working parts remain behind the wall – but can be easily accessed via the removable upper glass facing and large inspection opening. This makes assembly and maintenance much easier.



The upper glass plate is held in place by two magnets and can therefore be opened with ease at any time.

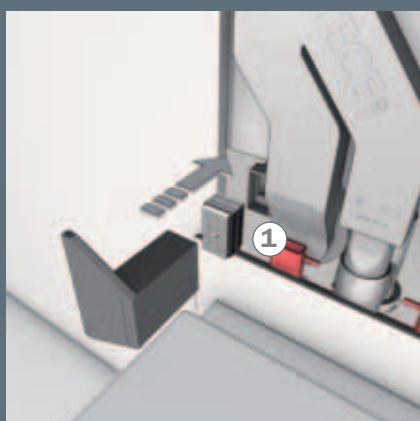


In the case of modules with the height adjustment m-Lift, the height is adjusted by means of an easily accessible adjusting screw (1). The side retainers must first be removed (2).



For the modules with the m-Lift function, a flexible drain bend is included in the delivery. It can be installed both horizontally (1) and vertically (2).

TECElux – technology and installation



In the case of modules with the ceramic-Air system, the activated carbon filter (1) should be replaced approximately every five years. It is easily accessible in the exit opening of the odour trap.



TECElux is suitable for all ceramics with a bolt distance of 180 mm.



It is even possible to install a shower toilet. The required connections for power and water are concealed behind the wall.



sen-Touch – programming

Programming is carried out using the touch panel and is simple and easy with the help of the TECElux operating instructions.

Input is possible in the first hour after connection to the power supply.



1. Sensor recognition range

The electronic device installed behind the glass facing switches on the illumination and activates TECElux when a person approaches. To avoid this happening by accident in small bathrooms, the recognition range can be reduced.

Recognition range

small
normal



2. Illumination brightness of the display

The brightness of the display can be individually set. For setting "bright", the display can also be used to aid orientation in the dark.

Brightness levels

bright
standard
dimmed
darker



3. Hygiene flush

The hygiene flushing function is actuated automatically if a user-actuated flush has not taken place within a defined time interval. The water in the connection line to the cistern is renewed. The hygiene flush can be set to different intervals according to user requirements.

Intervals

off
once per day
three times per week
twice per week
once per week
once every two weeks
once every four weeks

TECElux sen-Touch – programming



4. Safety flush

A toilet not flushed thoroughly after use is unpleasant for the next user. Unpleasant surprises like this cannot be ruled out, particularly in public buildings, but the safety flush can help avoid them.

Function on: If a second flush is not carried out after the last person recognition, an automatic flush is carried out. This function is only suitable for public toilets with a cubicle.

Function

off
on



5. Subsequent odour extraction

Odour extraction is activated when someone approaches the detection range, and remains activated the whole time the user is there.

When the person leaves the detection range, the follow-up time is activated.

Follow-up time

1 min.
2 min.
5 min



6. Volume and intensity of odour extraction

The suction power and thus noise volume of the fan can be programmed. The standard setting offers low fan noise with good suction power.

Volume

quiet
standard
power



7. Cleaning function

To prevent the flush from being actuated during cleaning of the sensor button, you can activate the cleaning function. The buttons are then deactivated for 30 seconds. After this period of time, their normal function is activated again.

The cleaning function can be activated independently of the program mode by simultaneously pressing both buttons for 10 seconds.

Function

off
on

Factory setting =



**The TECElux module leaves all options open:
Three different versions of the module are available.**



"sen-Touch"
The buttons light up when you get closer. The flush is actuated by a slight touch or without contact.



"m-Lift"
The toilet for large and small – the height of the toilet ceramic can be adjusted within an eight-centimetre range.



"ceramic-Air"
The air is always fresh thanks to ceramic-Air with ceramic activated carbon filter.



"smart-Connect"
The toilet terminal can be combined with practically any ceramics and with shower toilets.

Module TECElux 100

With TECE concealed cistern and dual-flush technology. The flush is actuated either mechanically by buttons or electronically via sen-Touch.

The module can be optionally fitted with the ceramic-Air air purification system. (only in conjunction with upper glass facing sen-Touch).



Optional:



Module TECElux 200

With TECE concealed cistern, dual flush technology and manual height adjustment. The flush is actuated mechanically by buttons or electronically via sen-Touch.

The module can be optionally fitted with the ceramic-Air air purification system (only in conjunction with upper glass facing sen-Touch).



Optional:



Module TECElux 400

With TECE concealed cistern, dual flush technology, manual height adjustment and air purification system ceramic-Air.

The flush is only actuated electronically (sen-Touch).

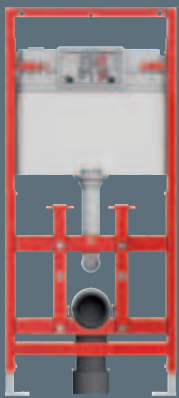


TECElux – product range

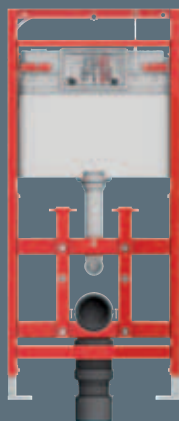
How to order...

A TECElux terminal always consists of: **(A)** a TECElux module, **(B)** a push plate, **(C)** a toilet mounting plate with holes for various power and water connections.

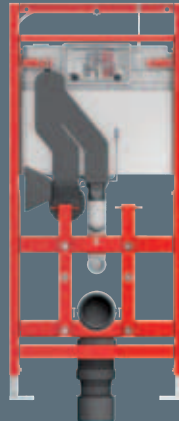
A TECElux module



TECElux 100
Order no. 9 600 100



TECElux 200
Order no. 9 600 200



TECElux 400
Order no. 9 600 400

B Push plate



white buttons
(mechanical)
Order no. 9 650 000



bright chrome buttons
(mechanical)
Order no. 9 650 001



sen-Touch
(electronic)
Order no. 9 650 002



TECElux toilet terminal

C Toilet mounting plate



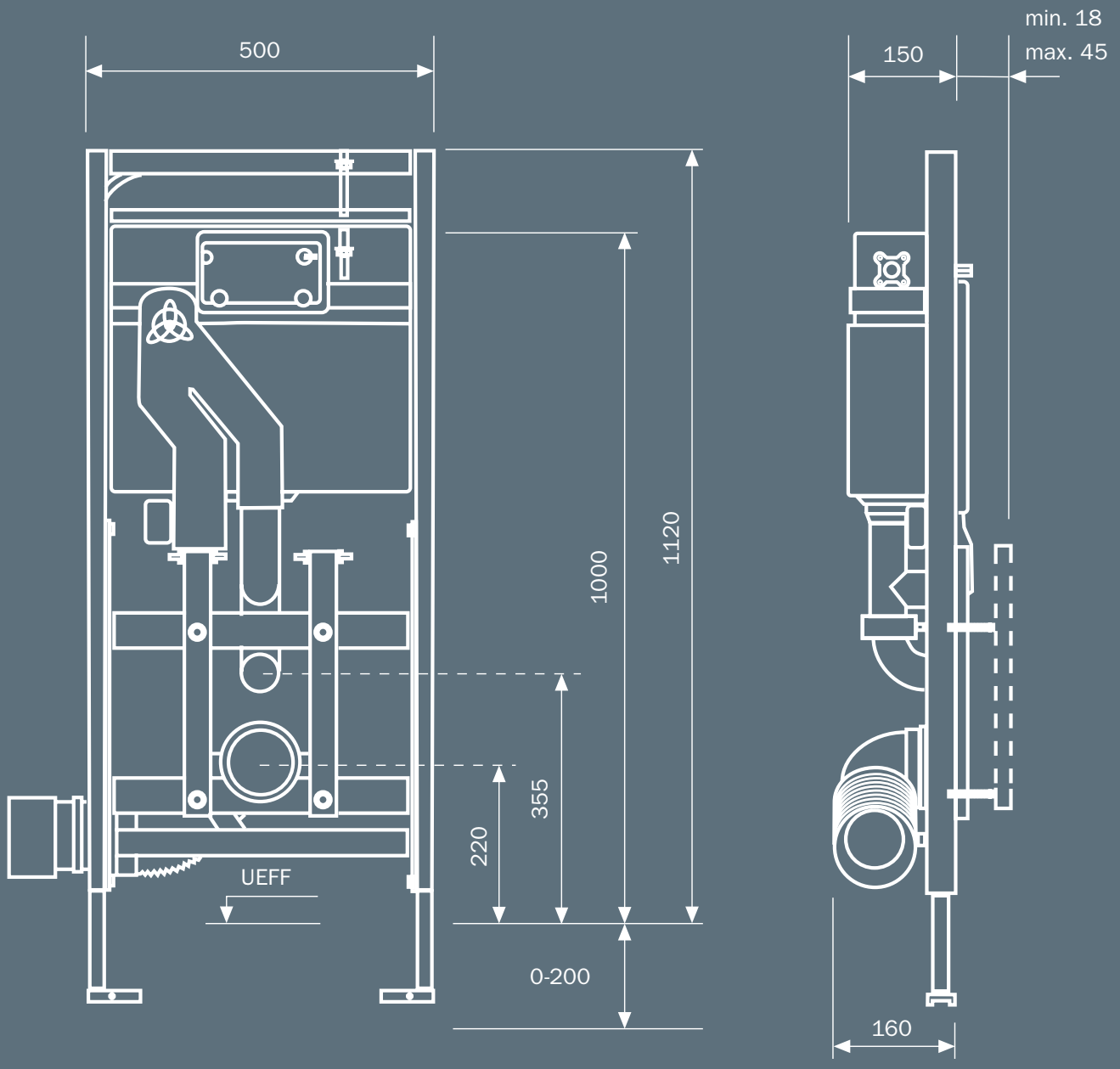
Standard toilet
Order no. 9 650 100



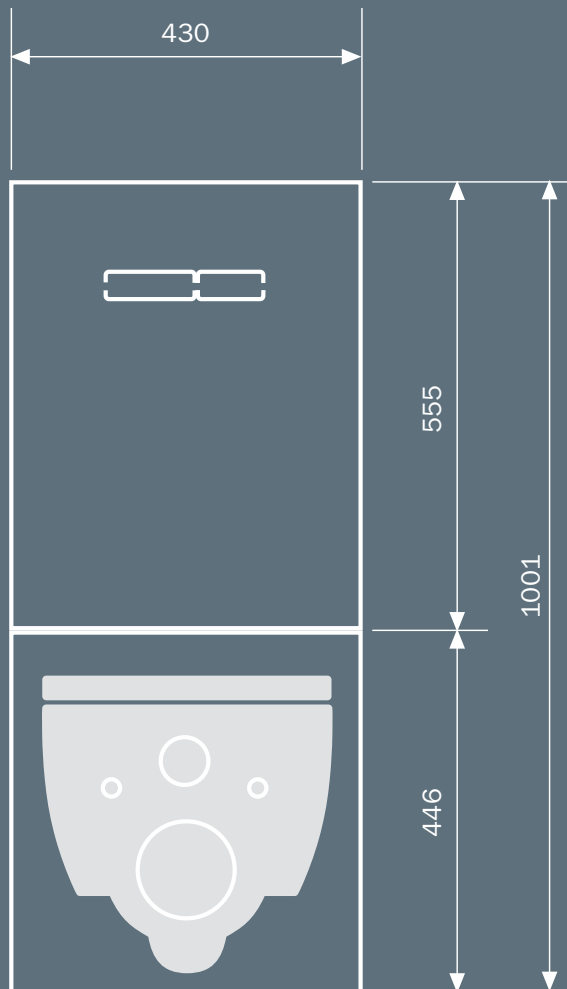
Shower toilet
Order no. 9 650 101



Shower toilet seat
Order no. 9 650 102



TECElux – installation dimensions



Flat structure:
The two-part plate made of safety glass is 6 mm thick and is installed 10 mm in front of the wall.



TECE GmbH

International Business

Hollefeldstraße 57

48282 Emsdetten

Germany

Phone +49 (0) 25 72 / 928 999

Fax +49 (0) 25 72 / 928 204

international-business@tece.de

www.tece.com

At **www.tece.com** you can find the
TECElux trailer and much more
information about the toilet of the
future.

