



GATEWAY

transfer device

The Gateway is the perfect transfer device for indoor use. It makes the transfer between bed/chair/toilet etc. much easier. The upper support bars are curved for better body fit.



www.rehasense.com

Rehasense Europe
Sulejowska 45, 97-300 Piotrków Trybunalski, Poland
contact@rehasense.com



more than mobility

GATEWAY

transfer device

The support pads can be adjusted up and down - and the complete device can easily be folded or taken apart for optimized storage or transportation.

The one foot operated brake system operates both wheels.



One foot operated brake system operates both wheels.



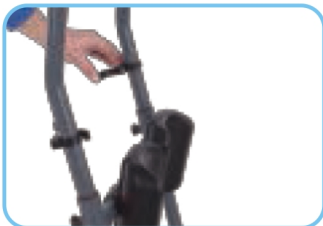
The device can easily be folded or taken apart for optimized storage or transportation.



Height adjustable support pads.



Soft angle adjustable support pads.



The device can be taken apart by operating the clamping system.

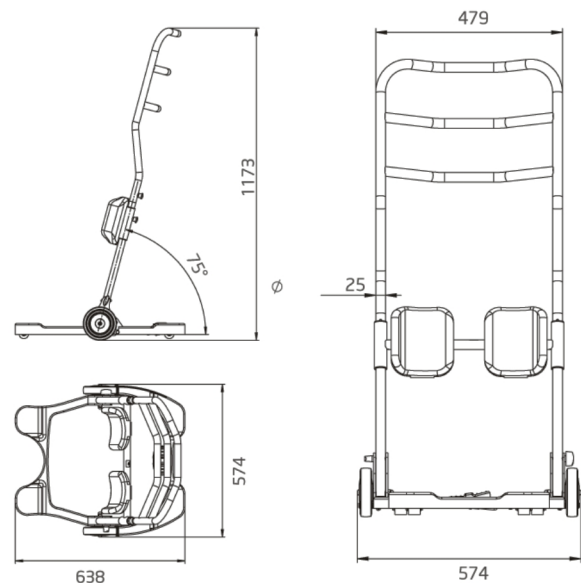


Color: antracyt



Technical Information:

Item no.: GETW1000



Gateway is **CE** - marked and fulfills the requirements of EU directive 93/42 EEC for medical devices

Copyright Rehasense © 2013