

Omega 5TM

MAGNIFIER

Fact Sheet



The Omega 5 Magnifier has a 12.7 cm (5") diameter glass lens with 3 dioptres (1.75X) magnification. An additional 5 dioptres (2.25X) magnification lens is also included. It comes with 4 brightness levels to suit your needs. The internal spring arm allows accurate positioning. The aesthetically pleasing white and grey finish fits perfectly within any professional environment.



LED 6,000 K daylight

5,500 Lux at 15 cm (6")

4 brightness levels



LIGHT QUALITY



ERGONOMICS



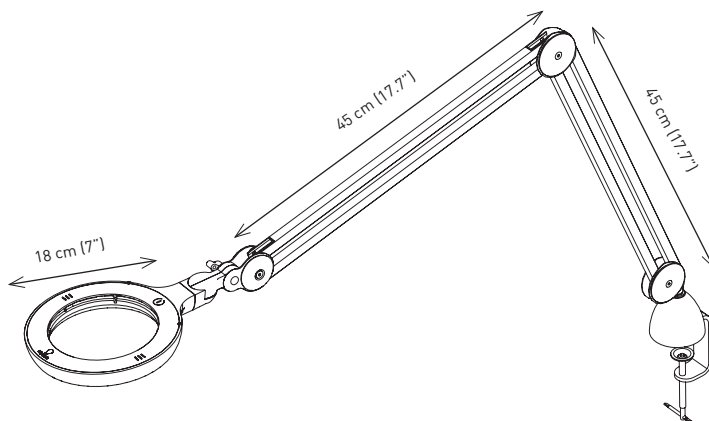
DESIGN

daylightcompany.com

Omega 5™

MAGNIFIER

E25110



FEATURES

- Ø 12.7 cm (5")
- Glass lens
- 3 dioptres (1.75X) and 5 dioptres (2.25X) lenses included
- 4 brightness levels
- Long reach 106 cm (42")
- Adjustable head joint with wing nut

SPECIFICATIONS

Product information

Weight	2.9 kg (6.4lb)
Colour	White/grey
Cable length	2.6m (102.4")

Light output

Light source	LED
Lumens	548 lm
Lux at 15 cm (6")	5,500
Colour temperature	6,000°K
CRI	80+
Energy consumption	8W

Packaging information

Height	42 cm (16.5")
Width	54 cm (21.2")
Depth	10 cm (4")
Packed weight	3.7kg (8.2lb)
Products per master carton	2

ACCESSORIES

D53060 Floorstand

Height	72 cm (28.3")
Width	66 cm (25.9")
Weight	8.1kg (17.8lb)

