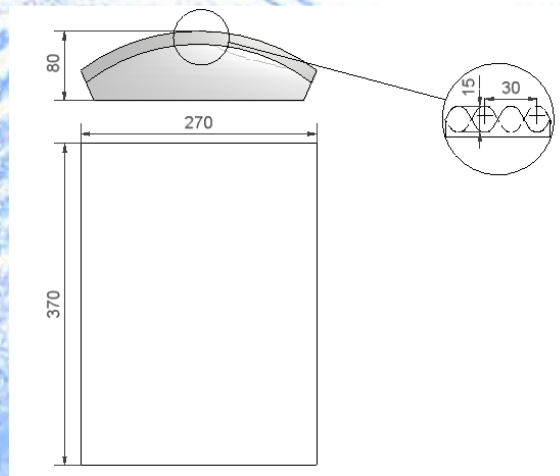


Chiroform®™ Lumbar Support De Luxe

The Chiroform Lumbar Support De Luxe consists of pure open-celled polyurethane foam with a layer of 20 mm visco-elastic foam, which allows the material to breathe. The body temperature affects the material, making the cushion assume the shape of the lumbar region 100% while at the same time providing optimum pressure equalisation. With the lumbar support, you protect the natural curve in the back while sitting. The Lumbar vertebrae retain the natural position and make the back muscles relax.



Product numbers

C105/1-B Lumbar Support De Luxe Black
C105/1-G Lumbar Support De Luxe Grey

370x270x80 mm
370x270x80 mm

Specifications

- Core-Foam: shaped 75 mm thick polyether foam HR32100.
Density (core) ISO 845 / DIN 53420: - 27,5 – 29,5 Kgs pr. Cbm.
Hardness index 40% (ILD) standard: -160 – 190N, 40%.
Compression set ISO 1856 / DIN 53572: - approx. 3%.
Contents: Polyetherpolyol, Toluendiisocyanate, Water, Mine-catalyst, Stannooctoact, Polyethersiloxane.
- Lining: 45/30 mm thick convoluted visco-elastic foam VM90070.
Density (core) ISO 845 / DIN 53420: -76 – 83 Kgs pr. Cbm.
Hardness index 40% (ILD) standard: - 67 – 85N, 40%, 23° C.

Compression set ISO 1856 / DIN 53572: - approx. 2,5%.
Contents: Polyetherpolyol, Toluendiisocyanate, Liquid Paraffin, Water, Mine-catalyst, Stannooctoact, Polyethersiloxane.

Cover: 100% velvet 340 g/m2.

Cleaning: Cover can be hand washed. While washing please turn the cover inside out.

Practical Advise

A slightly scent of new material may occur just after removal of transportation packaging, but is should not cause any alarm, as it is harmless and will disappear in the course of a few days.

Copyrights/Trademarks/Patents

This specification sheet, including, but not limited to, all text, images, figure and the name of Chiroform presented hereon, as well as their arrangement and assembly (collectively, the "Content"), is the property of Chiroform Ltd. and is protected by Danish and international copyright laws. While Chiroform Ltd. makes the Content available to all users, Chiroform Ltd. retains all copyright and related proprietary rights therein. Accordingly, you may not, without the express written permission of Chiroform Ltd.: copy or distribute the Content or any portion thereof; mirror or include the Content or any portion thereof on your own documents; or modify or re-use any portion of the Content. You may make a single copy of the Content for your own personal use. Chiroform Ltd. reserves all other rights in the Content.

Trademark patent no: VA2007 01362 and IR00963673.

CE Mark

The pillows of Chiroform ®™ conform and complies with the European medical CE mark.

Copyright ®. This Document is the Property of Chiroform, and may not be copied or given to a third part without written permission of Chiroform.



Tingvej 7, DK-8800 Viborg, Tel. +4586613611
WWW.CHIROFORM.DK