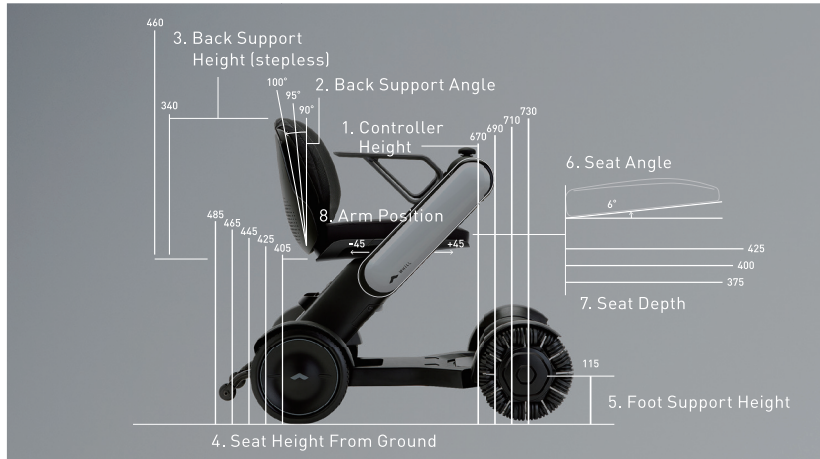


## The Right Fit

Model C can be easily adjusted from seat height and back support angle to controller position (right or left drive) to create a comfortable driving experience.



## Specifications

### Performance Specifications

Driving Range	15 km	Turning Radius	760 mm
Maximum Speed	6.4 km/h	Obstacle Clearance	50 mm
Drive System	Two Motor Drive System	Ground Clearance	57 mm
Incline Capability	10°/17.6%	Braking System	Electromagnetic
Controller	WHILL Control System	Max Weight Capacity	115 kg

### Dimensional Specifications

Device Weight	52 kg	Front Wheel Diameter	250 mm Omni-wheel
Device Width	400 mm seat = 550 mm 450 mm seat = 600 mm	Rear Wheel Diameter	270 mm
Device Length	985 mm	Rear Tires	Non-Puncture

### Other Specifications

Charging Time	5 Hours	Seat Cushions	400 mm × 400 mm 450 mm × 450 mm
Battery	Lithium-ion (25.2V 10Ah)	Tail Lamps	LED Light (Red)
Battery Charge Cycles	~1,000	Horn	Built-In
Battery Wh	253 Wh (Airline travel okay)	Wheelchair class	A
Operating Conditions	-15°C to 40°C	USB Port	Single

Contact Us

Website: [eu.whill.jp](http://eu.whill.jp) Email: [sales.eu@whill.jp](mailto:sales.eu@whill.jp)



740-02245-MKT-03 09/18



reddot design award  
best of the best 2018



Model C



# The New Era of Personal Mobility Has Finally Arrived.

The Model C is a revolutionary approach to power mobility that uniquely evokes an active, can-do lifestyle. Its premium performance and superb engineering provide the versatility and reliability to freely explore your world —with confidence. Pursue life's adventures with the Model C Personal EV.



## Connect Intelligently

Equipped with the latest technology, such as Bluetooth app controls and mobile data connectivity, for greater independence and premium support.



Drive remotely, lock/unlock, and manage speed settings via iPhone app. Remote diagnostics for faster support and less downtime.



Built-in USB port to charge mobile devices on the go.

## Best-in-Class Versatility

Quickly disassembles into three lightweight components for transport in any car and compact indoor storage.



Compact size and patented omni-directional wheels make navigating tight spaces effortless, while large wheels and two powerful motors allow you to drive across rough terrain with confidence.

Patented front omni-wheels



Eliminates common caster wheel challenges



Top Speed



Range



Obstacle Clearance

## Drive with Peace of Mind

Keep engaged in your activities and embrace your surroundings by knowing Model C will keep you riding safe.



Audible messages notify you of operational errors.



Arms and footplate flip up for safe and easy access to the seat.

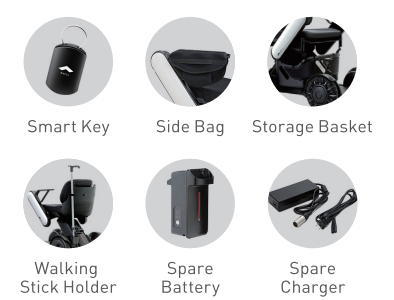
## Customization

Choose from six colors and a great selection of accessories to match your personal style and enhance your active lifestyle.

### Color Options



### Accessories



\*Without battery. Battery weighs 2.8kg.

\*\*Distance range tested in accordance with ISO 7176-4:2008. The distance will be reduced if the wheelchair is used frequently on slopes, rough ground or to climb kerbs, etc.