

# Electra<sup>TM</sup>

## FLOOR LAMP



Fact Sheet



Change colour temperature at the touch of a button with the unobtrusive, flexible and easy to use black satin Electra. Simply position behind your armchair, sofa, or table and carry out your work or hobby in comfort. The anti-glare shade ensures that the light will be directed at your task in hand without disturbing anyone else in the room. When you've finished working in high quality daylight, simply change the colour temperature to cool light or warm light to create a relaxing atmosphere.

---

3 colour temperatures

---

---

2,500 Lux at 30cm

---

---

Anti-glare shade

---



LIGHT QUALITY



ERGONOMICS



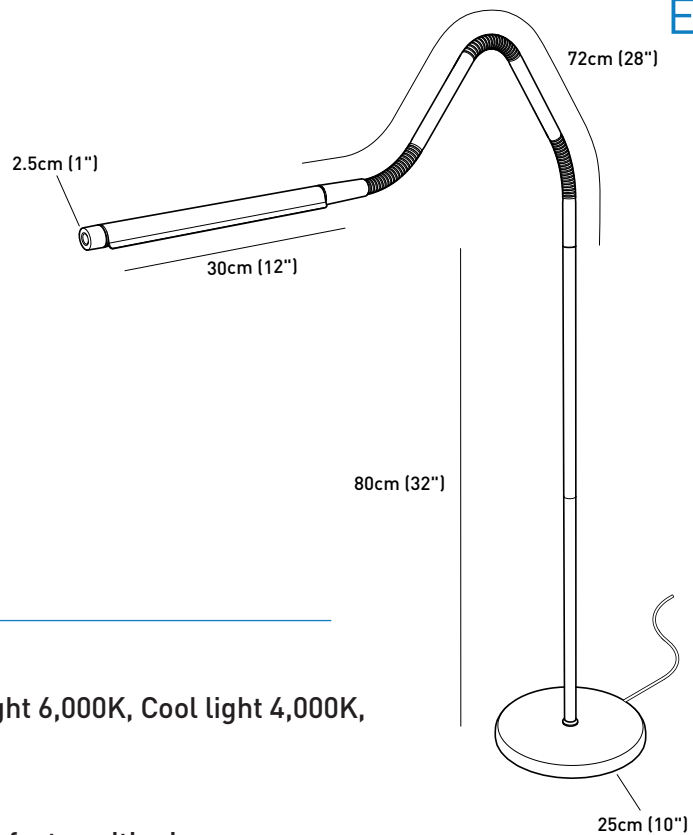
DESIGN

[daylightcompany.com](http://daylightcompany.com)

# Electra™

E35231

## FLOOR LAMP



## FEATURES

- Beautiful black satin finish floor lamp
- Choice of 3 colour temperatures- Daylight 6,000K, Cool light 4,000K, or Warm light 2,700K
- Slim and unobtrusive design
- Flexible arm and rotating shade for perfect positioning
- Easily adjust the bright and wide spread of light using the tactile continuous dimmer switch
- Anti-glare shade ensures light is directed away from your eyes and focused where you want it
- 95+ CRI for exceptional clarity and accurate colours at any time of day or night

## SPECIFICATIONS

### Product information

|              |       |
|--------------|-------|
| Weight       | 4kg   |
| Colour       | Black |
| Cable length | 2m    |

### Light output

|                    |                          |
|--------------------|--------------------------|
| Light source       | LED                      |
| Lumens             | 800lm                    |
| Lux at 30cm        | 2,500                    |
| Colour temperature | 6,000K / 4,000K / 2,700K |
| CRI                | 95+                      |
| Energy consumption | 13W                      |

### Packaging information

|                            |      |
|----------------------------|------|
| Height                     | 44cm |
| Width                      | 33cm |
| Depth                      | 7cm  |
| Packed weight              | 5kg  |
| Products per master carton | 2    |