

# Product overview

**ROLLIT**

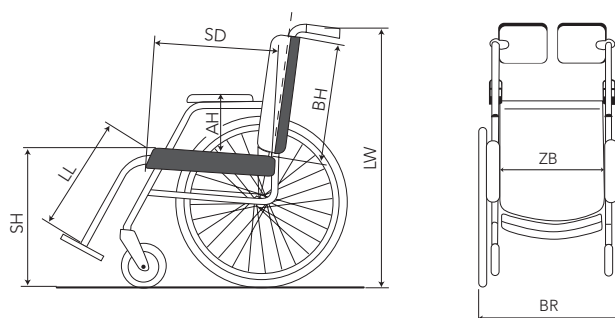
## Rollit - Basic model

Frame colour	RAL 1028
Seat width	47 cm
Seat height	51 cm
Type of legrests	Footrest + heel strap
Seat	Standard seat
Backrest	Standard backrest
Sides	Folding sides



## Specifications

Abbr.	Measurement points	Specifications
SW	Seat width	47 / 52 cm
SD	Seat depth	46 cm
SH	Seat height	51 / 56 cm
BH	Backrest height	47 cm
AH	Armrest height	24 cm
WW	Width of wheelchair	72 cm
HP	Height of push-handles	92 / 97 cm
LL	Lower leg length	45 - 55 cm
	Total weight	39 kg
	Maximum user weight	160 kg





## Product overview

### Contact details

Dealer's name \_\_\_\_\_  
 Contact \_\_\_\_\_  
 Date \_\_\_\_\_  
 Order number \_\_\_\_\_

### Model

Rollit  
*Rollit frame: Rigid internal frame, folding sides with long armrests, 7" semi-solid front tyres, 24" semi-solid rear tyres, upholstery colour Midnight blue and extended wheelbrakes.*  
 Quantity .....

Please tick what is required! The options listed may be subject to an additional charge.

### Frame colour

RAL colour - No.<sup>1,2</sup> .....

### Seat width

47 cm  
 52 cm

### Seat height

51 cm  
 56 cm

### Legrest

L R Footrest + heel strap  
L R Comfort legrest  
L R Comfort legrest + heel strap  
 Lower leg length adjustable by means of allen wrench  
 Lower leg length adjustable by means of wingnut  
L R Knee cushion  
L R Amputation support<sup>3</sup>  
 Length 25 cm  
 Length 40 cm  
 Terry cover amputation support ..... pcs  
L R Plaster cast support<sup>3,4</sup>  
L R Pes equinus cushion as part of plaster cast support  
 Terry cover pes equinus cushion ..... pcs

### Seat

Standard seat  
 Plank seat  
 Tuber opening for Plank seat  
 Front rim h=5 cm for Plank seat  
 Front rim h=8m for Plank seat  
 Contour+ seat

### Backrest

Standard backrest  
 Anatomical backrest

### Sides

Folding sides  
 Folding sides with height-adjustable armrests  
 Fixing clip set for sides

### Headrest

Standard headrest small  
 Standard headrest

### Worktop

Perspex worktop  
 Trespa worktop  
L R College Perspex worktop

### Accessories

Stick-holder  
 Anti-tipping support<sup>3</sup>  
 Catheter hook  
 Oxygen cylinder holder 12,5 cm<sup>3</sup>  
 Spoke protectors  
 Spoke protectors with printed logo<sup>5</sup>  
 Logo plate on backrest with printed logo<sup>5</sup>  
L R Adapter for IV pole<sup>3</sup>  
 IV pole, adjustable in height<sup>6</sup>  
 Anti-theft pole<sup>3</sup>  
 Fitted with fixing tube for logo purposes<sup>5</sup>  
 Fitted with 2 infusion hooks  
 Flag with printed logo<sup>5</sup>

### Explanation

- 1 Next RAL colours are not available: RAL 1026 / 2005 / 2007 / 3024 / 3026 / 6038
- 2 More than 175 RAL colours available without surcharge. Please note: a small number of colours is subject to a surcharge. Just contact your sales advisor!
- 3 Only available in black (metal parts)
- 4 Left + right plaster cast support only available from seat width 47 cm
- 5 Please note: for a printed logo, we need an .eps file of the logo concerned
- 6 IV pole always in combination with adapter for IV pole

For changes to the options specified above, please refer to the supplementary order form for alterations.