

**TECHNICAL FILE**

**PRODUCT RANGE:** KING

**CODE:** KING-SS-00

**DESCRIPTION:** SHOWER SEAT KING

**PRODUCT FEATURES:**

The KING shower seat is designed for those who want to increase their comfort while showering and carrying out different hygiene operations in the bathroom. The ergonomically designed surface area of the seat reduces pressure, increasing user comfort. The anti-slip pattern of the seat surface prevents sliding during the hygiene operation to ensure maximum safety. The 4 legs are adjustable in height to better fit with the user needs. The seat is made of polypropylene offering durability, strength and warmth. The frame is made of anodized aluminium to ensure the best resistance against corrosion. All the surfaces are easy to clean.

**MECHANICAL PERFORMANCE:**

Max user weight 150 kg; 330 lb.

**CERTIFICATIONS:**

CE Declaration of conformity of the Regulation (EU) 2017/745 Of the European Parliament and of the Council of medical devices (MDR).

**APPLICABLE NORMS:**

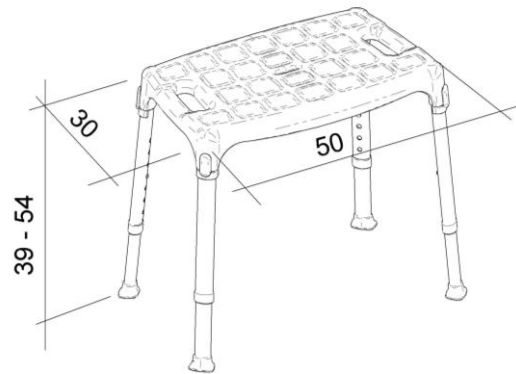
UNI EN 12182; UNI CEI EN ISO 14971; UNI EN 1041:2008+A1:2013; EN 1022:2018; EN 581-2:2015.

**MAINTENANCE:**

Periodically check that fixing fittings conform to initial mounting.  
Clean with water and non-aggressive detergent.  
Do not use abrasive or corrosive products.

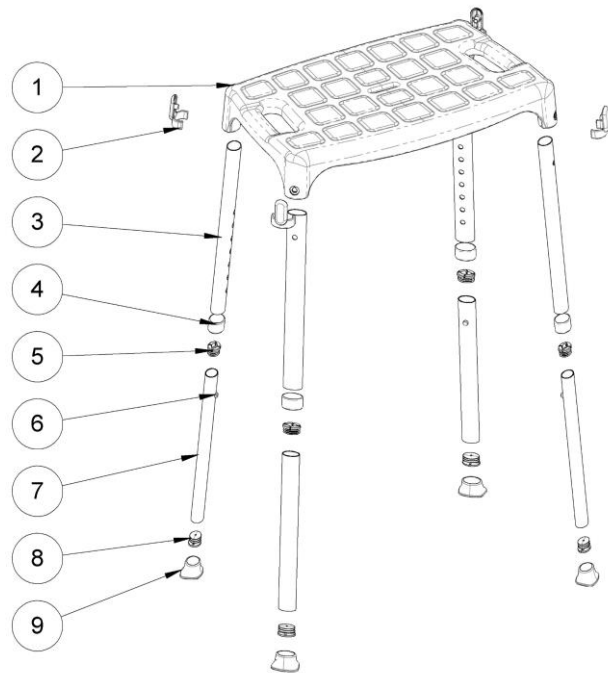
**PRODUCT PACKAGING:**

Box dimensions: 301.5X75X514 mm.  
Gross Weight: 2.02 kg.  
Net Weight: 1.67 kg.  
Shipping carton dimensions: 314X796X528 mm.



PACKAGING COMPONENTS	Q.TY	CODE
Box	1	RB-KINGSS-00
Shipping Carton	1/10	SC-KINGSS-00
User Manual	1	UM-KINGSS-00
Box Label	1	BL-BKINGSS-00
Shipping Carton Label	1/10	SL-BKINGSS-00
Product Label	1	PL-ASKINGSS-00

PRODUCT COMPONENTS	Q.TY	MATERIAL	REF.
Seat	1	Polypropylene 30% CC	1
Plugs for legs	4	PA6	2
External Tube	4	Anodized Aluminium	3
Ring Connector	4	Polyethylene	4
Central Caps	4	Polypropylene	5
Spring	4	Stainless Steel	6
Internal Tube	4	Anodized Aluminium	7
Terminal Caps	4	Polypropylene	8
Rubber Caps	4	TPR	9



rev. 20/06/2022 12:14:51  
20/06/2022 08:27:42  
SS -ESPLOSO 2022

Ref. Technical File KING-SS-00 Rev.05 as of 11/2022

The above data cannot be binding. LM Global Design Ltd. reserves itself the right to make technical or aesthetic modifications without notice at any time.