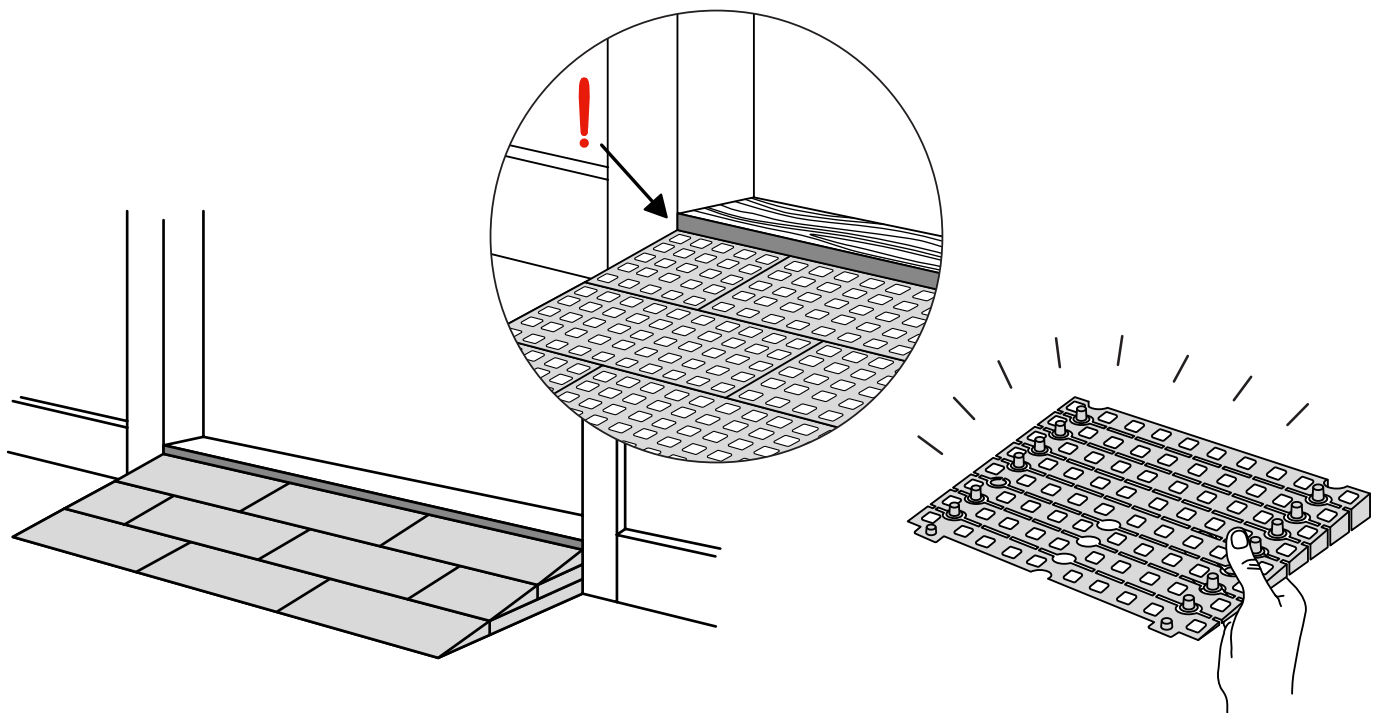
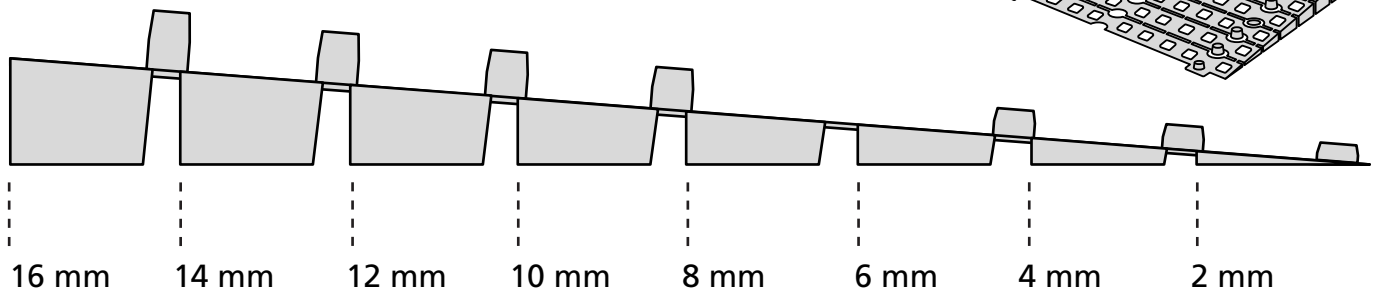
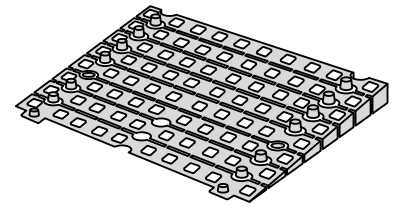


RAMP ADJUSTER INSTRUCTION

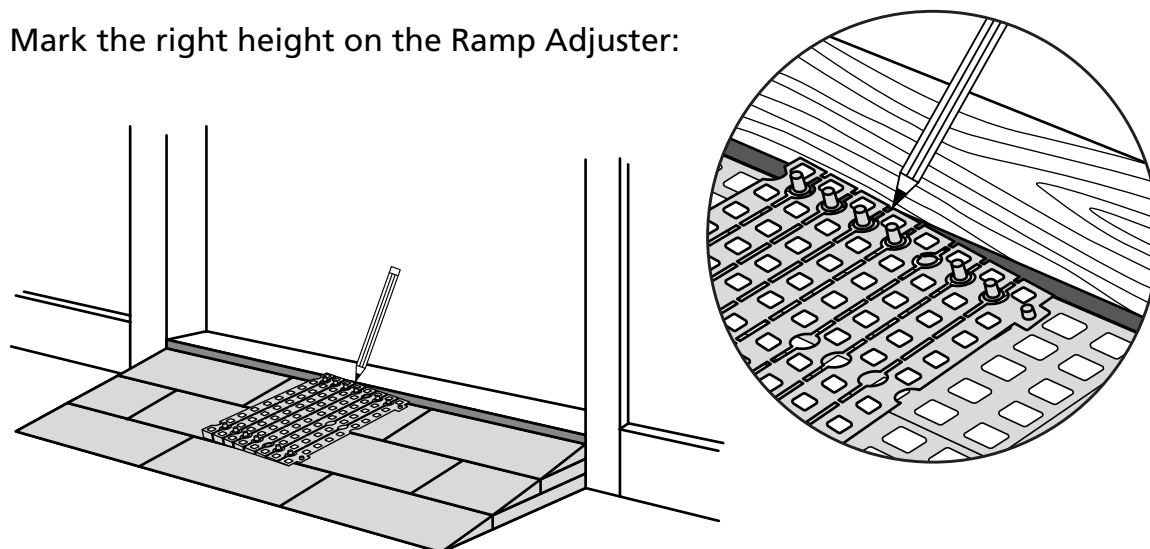
How to adjust ramps in height
with the Ramp Adjuster

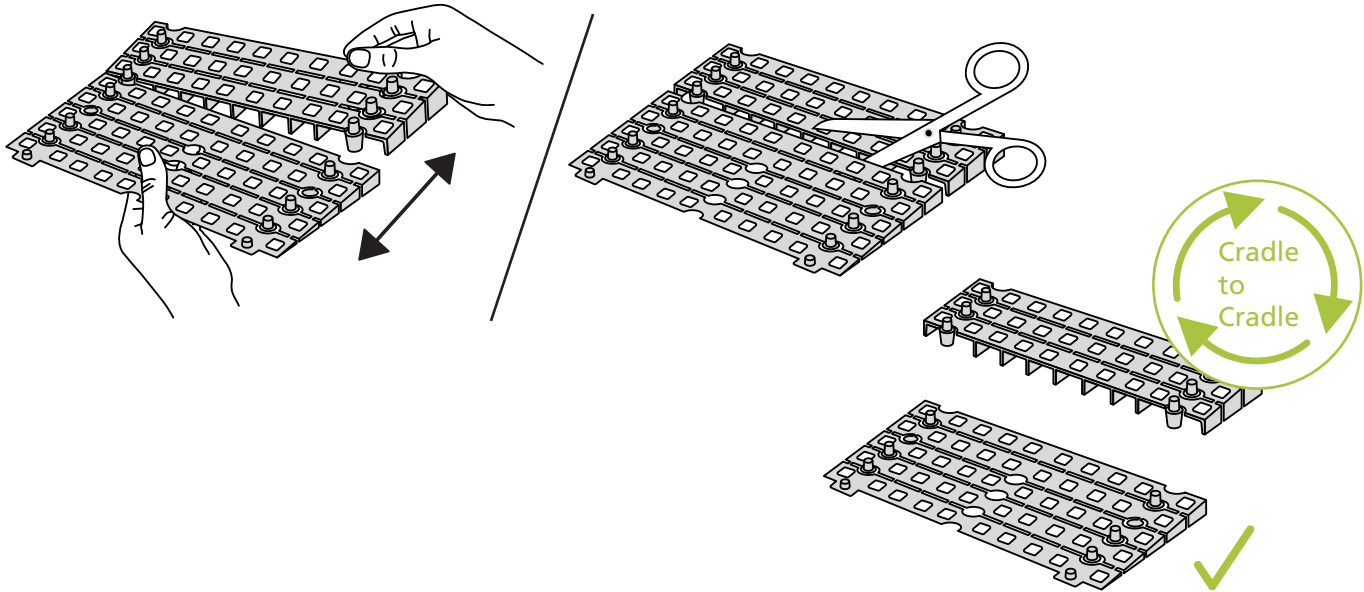


With the Ramp Adjuster it's possible to make fine adjustments of ramps. Adjustments with only 2 mm differences in height:

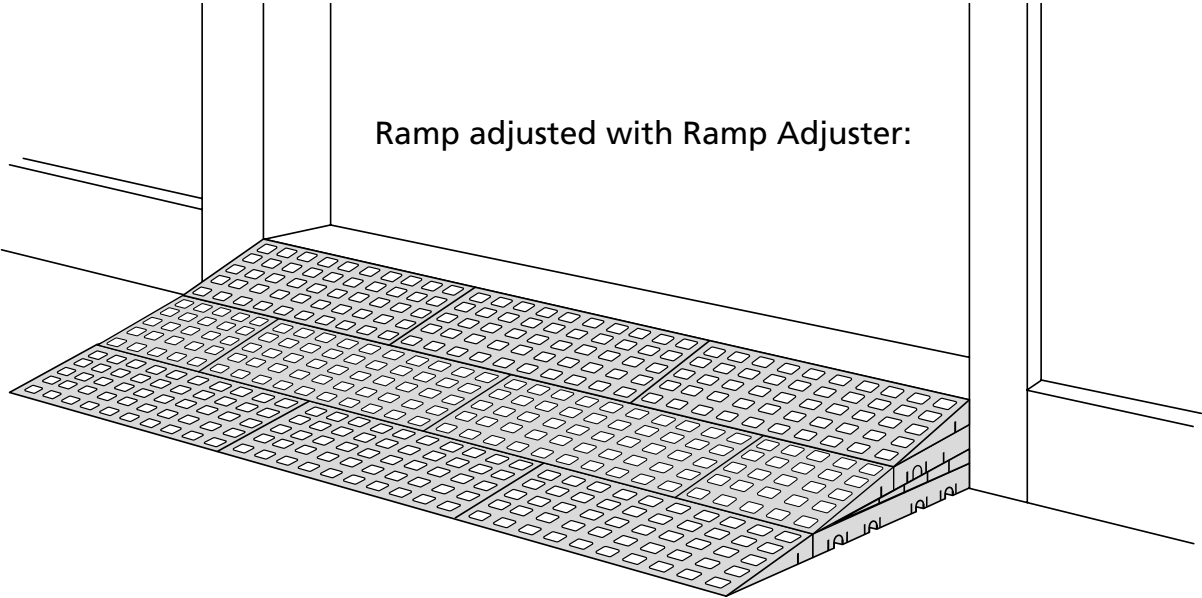
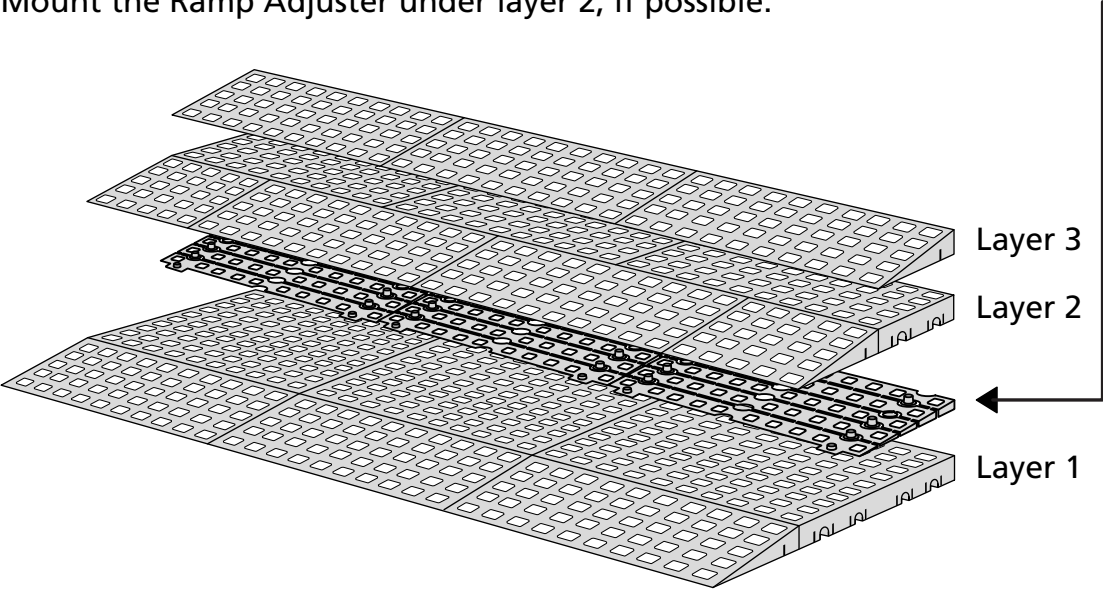


Mark the right height on the Ramp Adjuster:

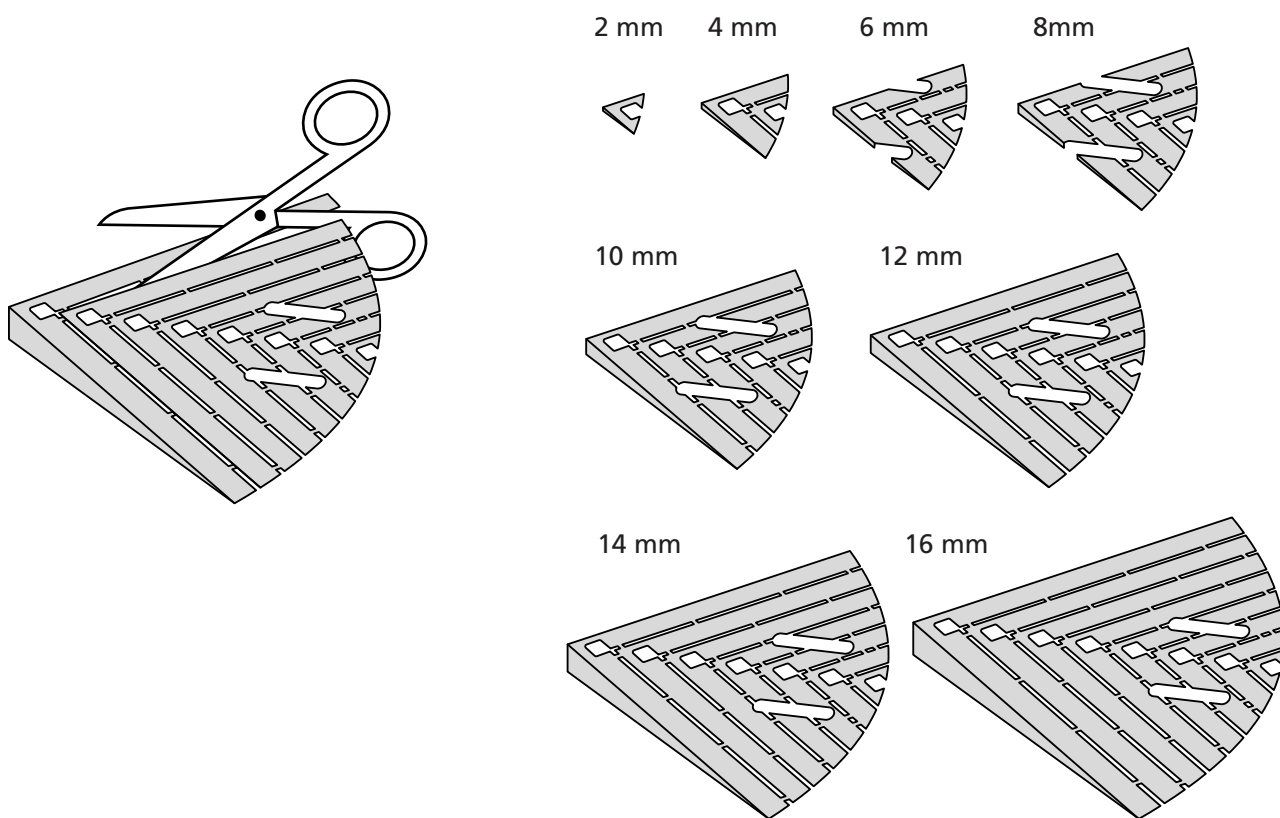




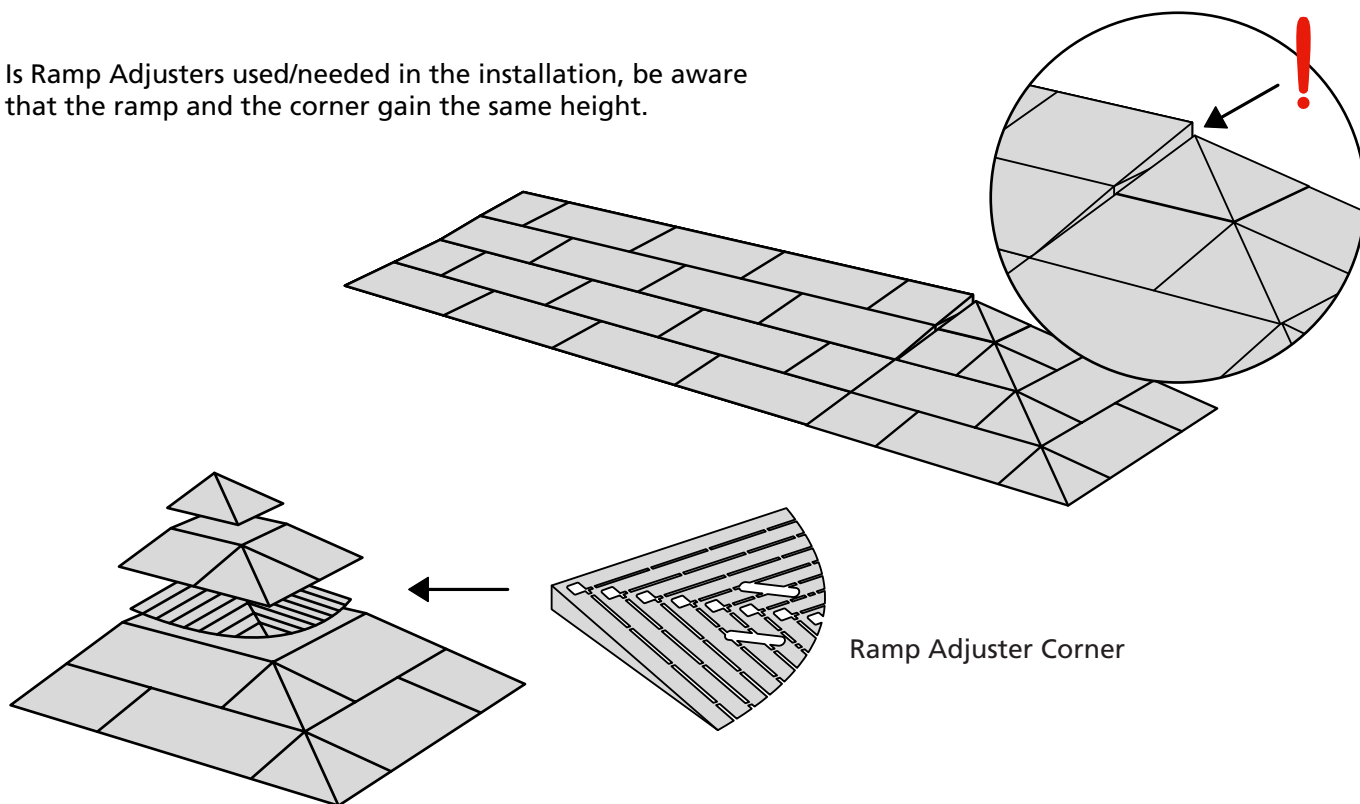
Mount the Ramp Adjuster under layer 2, if possible:

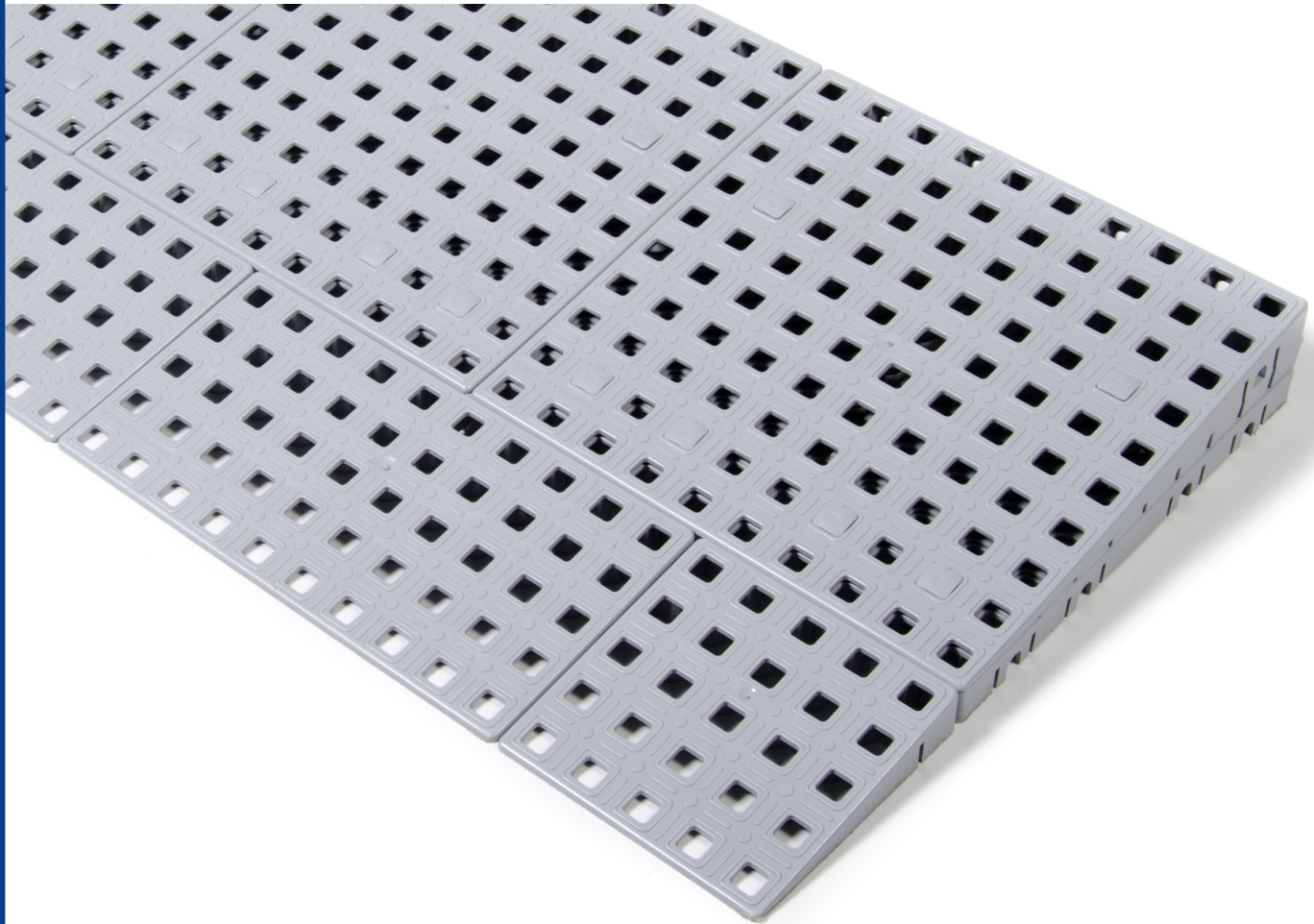


Ramp Adjuster Corner can be adjusted in these heights:



If Ramp Adjusters are used/needed in the installation, be aware that the ramp and the corner gain the same height.





www.excellent-systems.com



sales@ex-as.com



Møllevvej 2 - 8544 Mørke - DK



+45 86377133