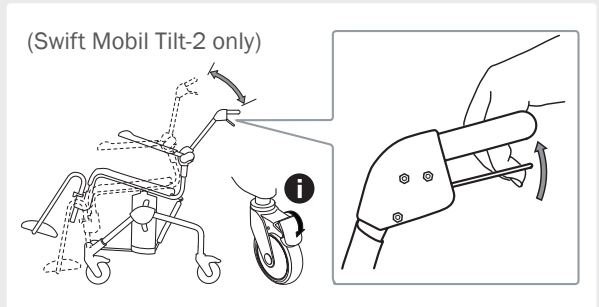
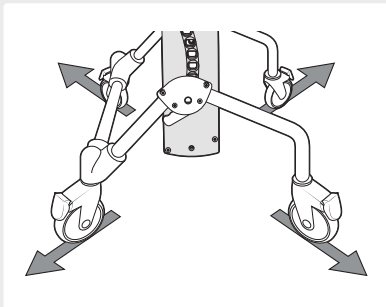
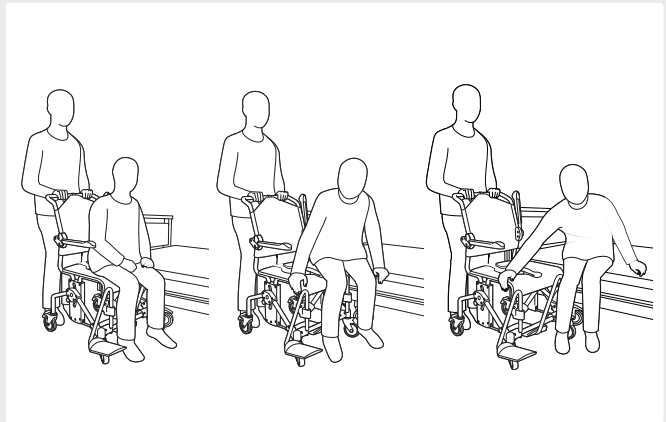
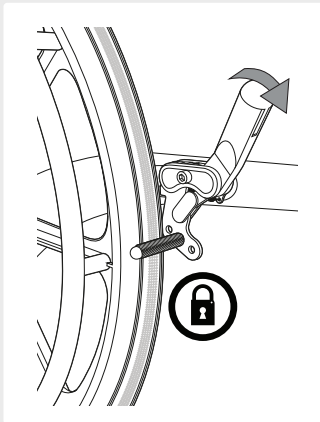
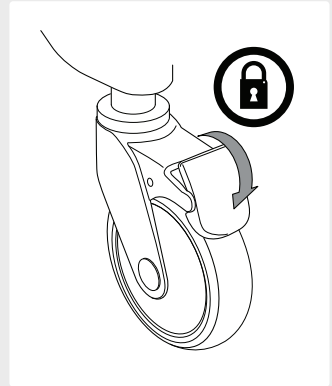
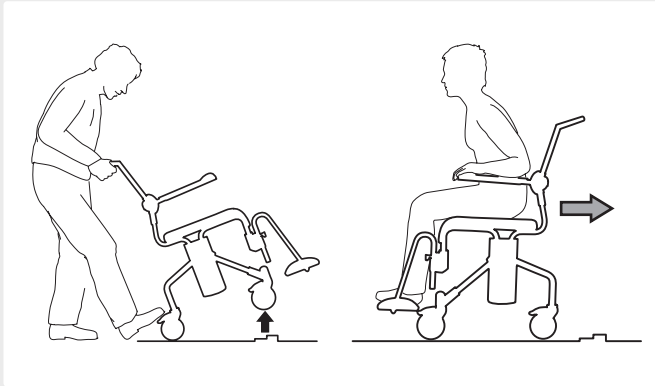


QUICK GUIDE

Swift Mobil-2

2023-05-22 REV1 DK

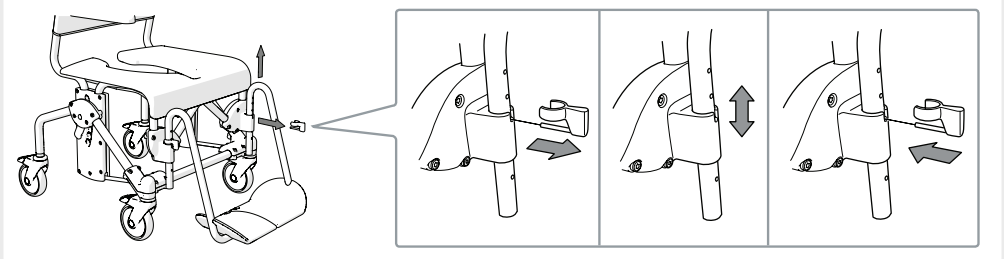
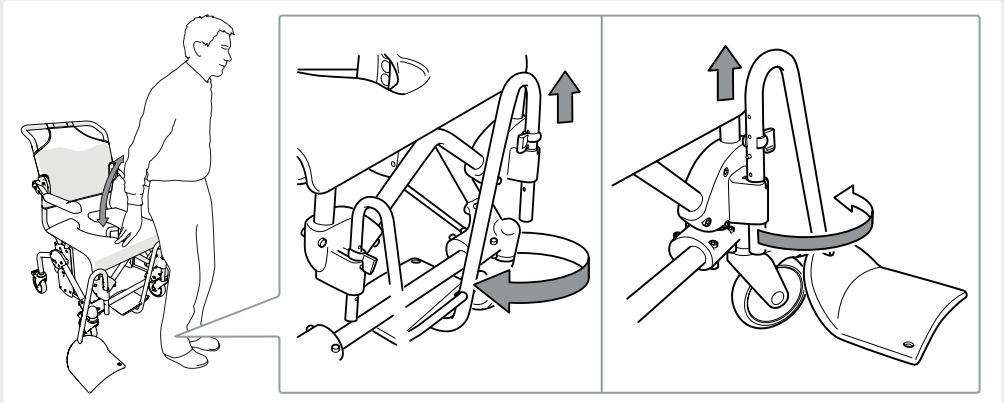
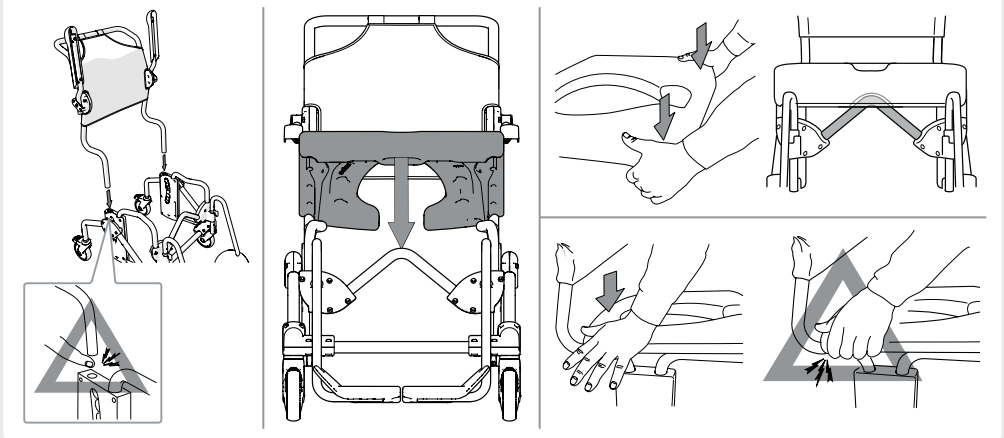


For more info: www.etac.com

QUICK GUIDE

Swift Mobil-2

2023-05-22 REV1 DK



For more info: www.etac.com