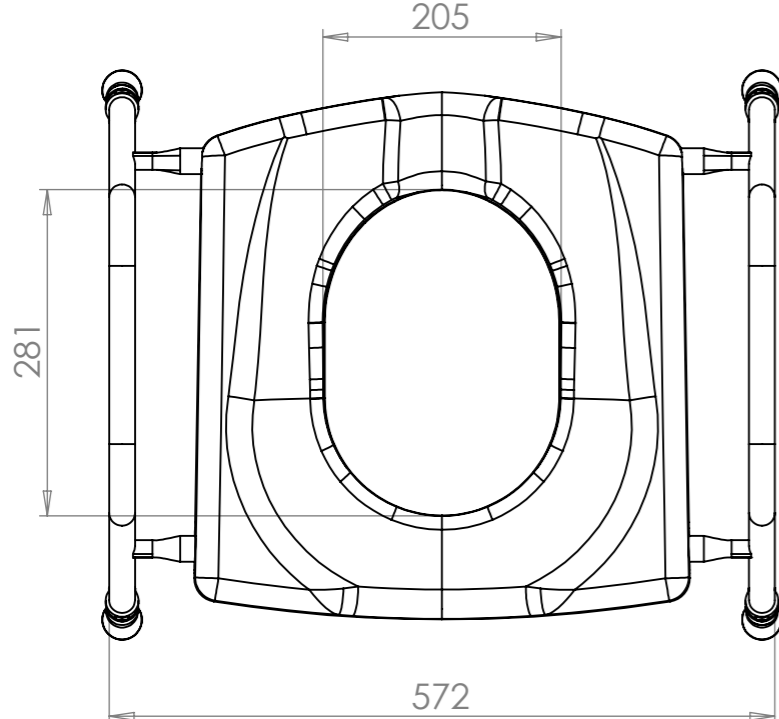
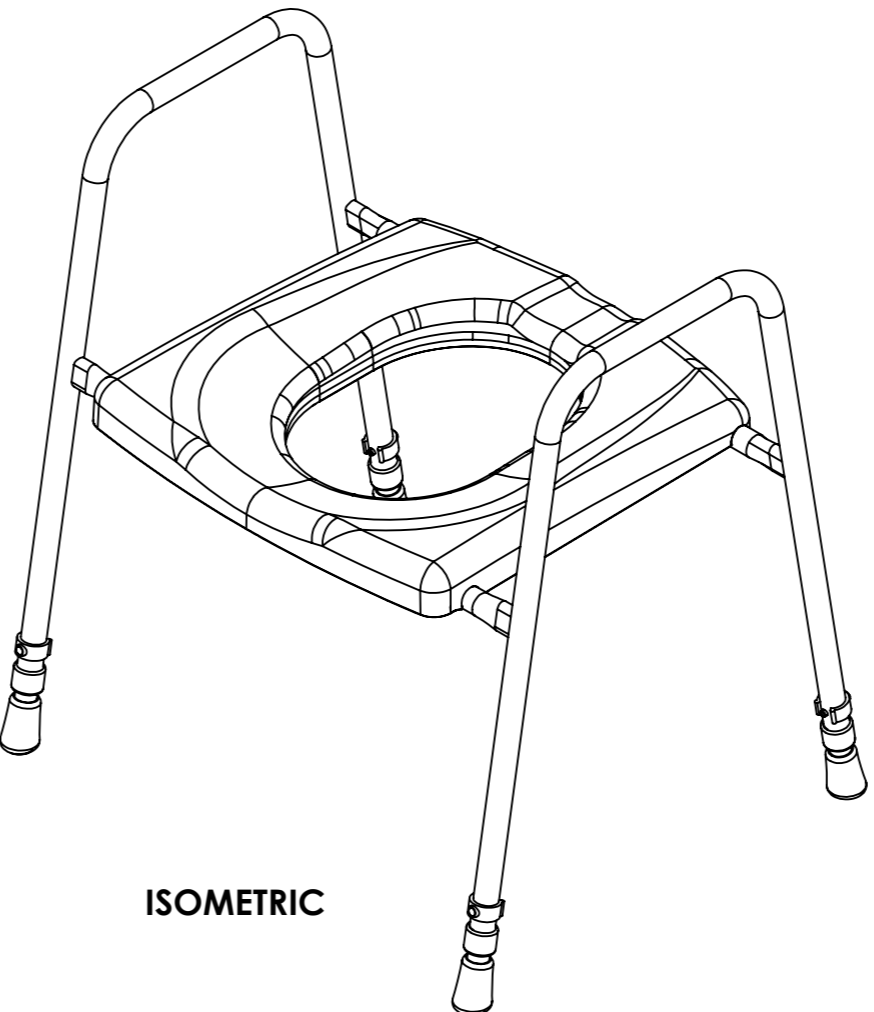


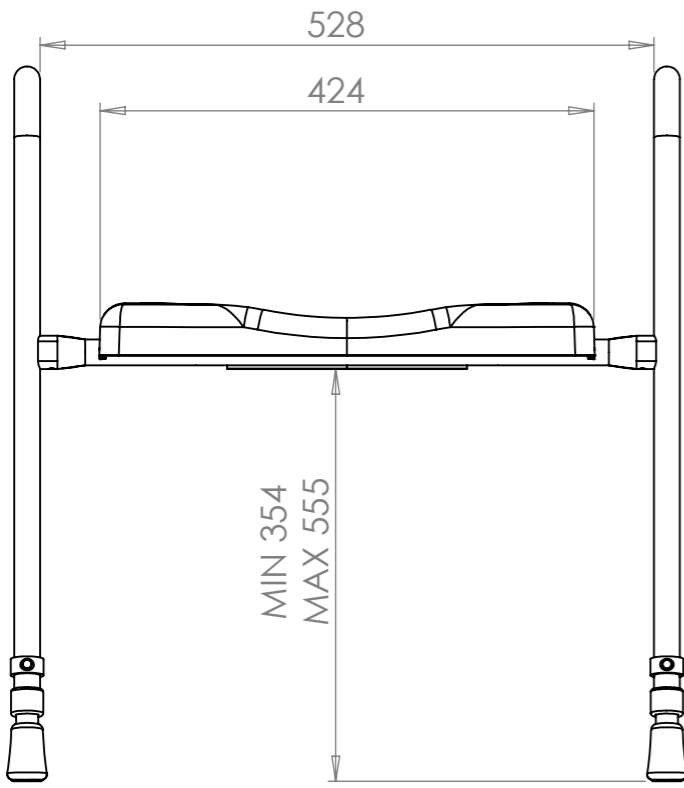
CLASSIC FRAME WITH STANDARD SEAT.
NO COMMUNE FEATURES.



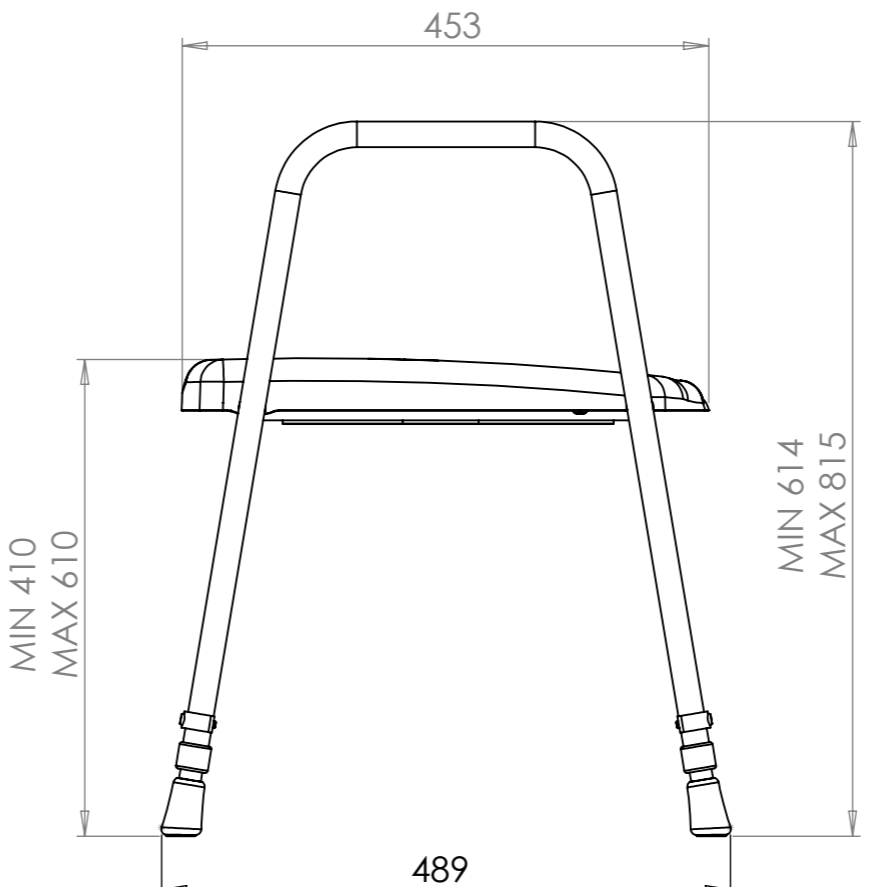
TOP



ISOMETRIC



FRONT



SIDE