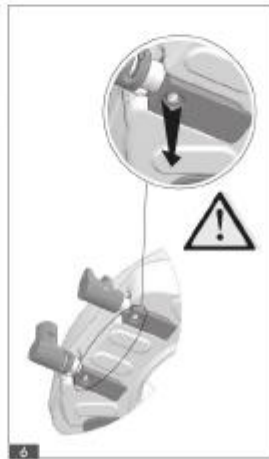
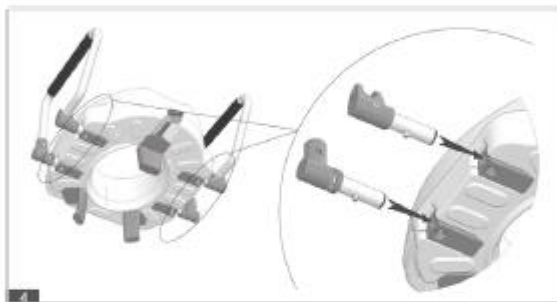
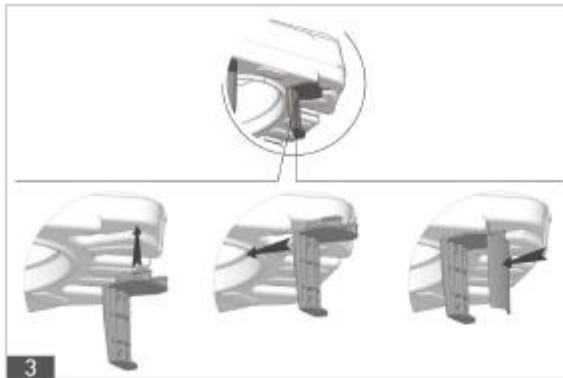


Quickguide Toiletforhøjer med armlæn



4. Assembly and general recommendations for use

Note! Follow the information contained in this manual while assembly and adjustment.

Users with reduced mobility may need help from a third person who has appropriate skills.

Note! Do not use the toilet seat when you notice any visible or perceptible damage (e.g. crack) as this may cause an accident.

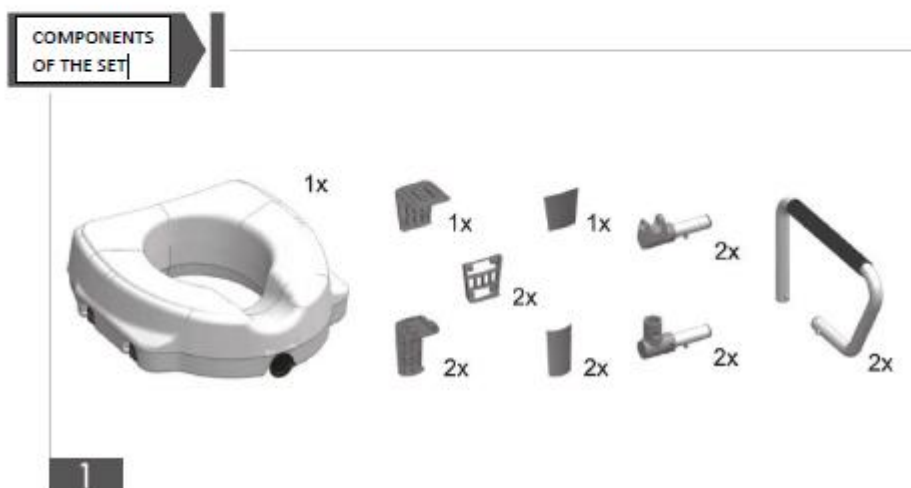
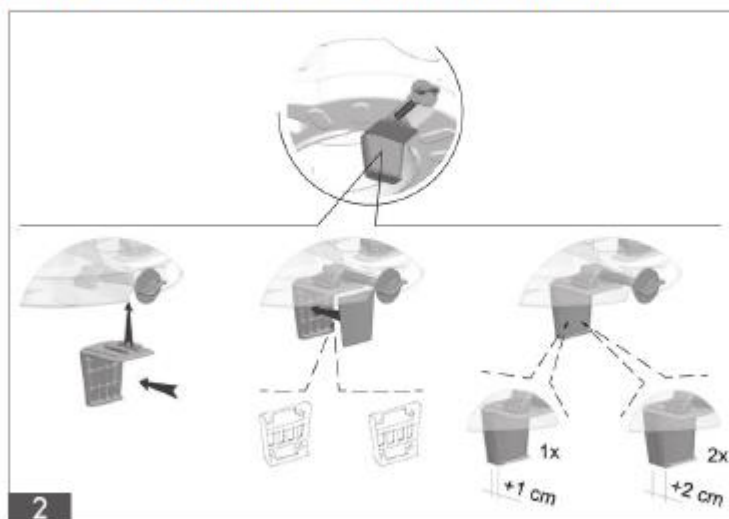
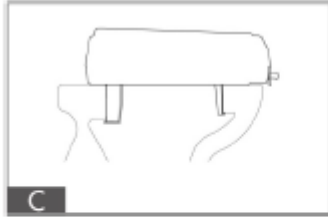
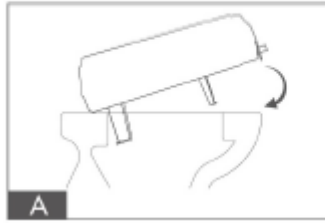


Fig. 2. Fix the bracket in the front part of the raised toilet seat, additional insets (1 cm or 2 cm) according to the size of toilet bowl, and then, protective cover.





Note! Adjust the bracket to the width of the toilet bowl with the use of adjustment knob (B).
Before use, ensure that the raised toilet seat is correctly mounted and the bracket is correctly tightened.