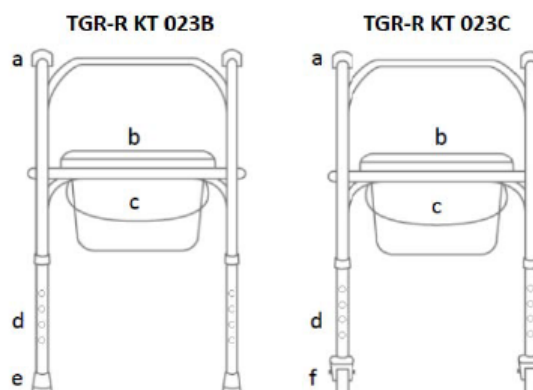


Quickguide Basic foldbar toiletstol bækkenstol, varenummer: TGR-R KT 023B

Elements of the commode chair:

- a. Armrests
- b. Toilet seat
- c. Toilet bucket
- d. Height adjustment
- e. Anti-sliding tips
- f. Castors (rear with brake)



Assembly

Unfolding and folding

- To unfold the chair, put it on the floor. Grab the plastic handles and unfold the chair. Assemble the front part of the frame.
- Assemble toilet seat with lid on the rear frame and toilet bucket in the middle.
- To fold the chair, remove toilet bucket and toilet seat with lid, lean downwards the front part of the frame, and then, lean one side forwards and the second side backwards.

Height adjustment

- To adjust the legs, press the metal pin on the leg, select appropriate height of the inner tube, and then, lock the position of the tubes relative to each other. The legs are adjustable in 2.5 cm increments.

Note! The pins must be set on the same level. The legs must always stay stably on the floor.