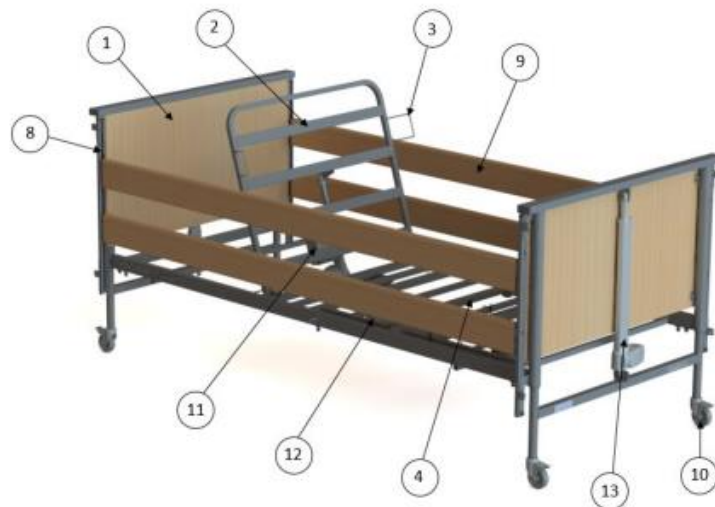


Quickguide DIAS elektrisk plejeseng, varenummer: 0805600

5. COMPONENT PARTS

5.1. LIST OF COMPONENTS OF THE BED



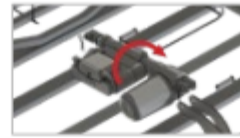
(The figure shows the bed with wooden side rails)

1. Bed end x2
2. Backrest section x1
3. Mattress side retainer x4
4. Leg section x1
5. Transport stand x2
6. Handset lock key x1
7. Handset x1
8. Side rail channel x4
9. Side rail x4
10. Braked castor x4
11. Control box/Backrest actuator x1
12. Leg rest actuator x1
13. Bed end actuator x2
14. Head section re-usable cable tie location x1
15. Leg section re-usable cable tie location x1
16. Allen key location x1



6.2. ASSEMBLY OF THE BED

- Prior to assembling the bed the backrest actuator must be removed and rotated 180° to change the bed from transport to in use mode. Ensure the mains cable is not in tension or inappropriately entangled around the control box after rotation.
- Lying one of the bed ends flat on the floor, lift one of the mattress platform halves and engage onto the bed end. Adjust the position of the mattress platform half if necessary to ensure it is located centrally onto the bed end and the platform is pushed fully up against the bed end. Tighten the grub screws to lock into position. **Note: If this action is being undertaken by a single person, it is recommended that the castors are braked before assembly commences.**
- Repeat for the remaining bed end and mattress platform half.
- **Make sure that the holes on the side of the leg section are in the centre of the mattress platform!**
- Release the brakes on the castors on both bed ends.
- Bring both halves of the bed together and align each section so that the spigots in the backrest section locate into the open tube ends in the leg section. Now pull the two sections together. Once complete check that the bed ends are still pushed fully up against the bed ends.
- Place the clevis pins through the holes by both central joints with the head of the pin on the outside of the bed. Place the plastic spacer over the end of the pins and insert the 'R' clips from the top of the bed through the hole in the pin and **tighten the two grub screws.**
- The bed with wooden slats has holes for self-assembly of slats. Place fasteners at the both ends of the slats and then attach them parallel to each other in designated places (holes).
- Cut off/remove the plastic retaining ties/Velcro straps from the head and foot mattress platforms.



Rotation of backrest actuator



Bed end and backrest section assembled



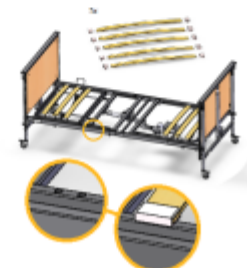
Bed end and backrest assembled



Bring assembled bed halves together



Clevis pin, spacer, and R clip fitting



Wooden slats assembly



Warning

The bed must never be used if the grub screws and/or clevis pins and associated 'R' clips are loose or missing - risk of bed collapse. Also using bed without the wooden slats installed threatens with danger of mattress collapsed.



Caution

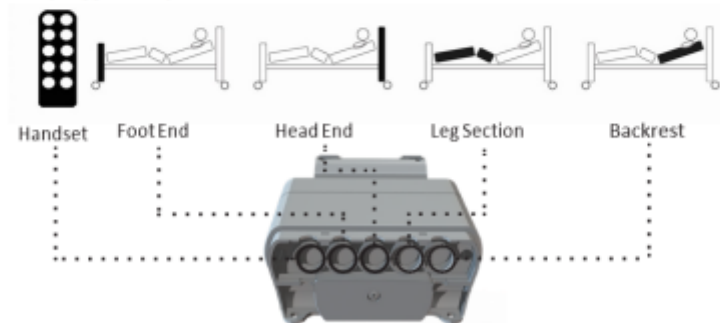
- Ensure all wraps/hooks and loop tape (or similar) securing any of the sections in place are removed prior to operation - damage to the frame could occur.
- Ensure the backrest actuator is rotated in the direction shown on first picture. Incorrect rotation could cause product damage.

6.3. CONNECTION OF THE ELECTRICAL SYSTEM

The bed is designed to be permanently connected to a power supply. The auxiliary emergency power supply is available as an accessory to maintain the bed's basic functions for a specified period of time if mains power is not available (see section 10).

- Before starting assembly works, check the condition of the power cable, handset cable, actuator cables and batteries located in the control box (if included in the set) and make sure that they are not damaged.
- Next to, remove the retaining cable cover to the control box (screwdriver required) and plug the actuator and handset cables into the control box as shown in the control box label and the picture below.

Note: The plugs only fit into the ports in one orientation. Ensure the cables are plugged fully into the control box.



Control box label and cable routing

- Once all the cables are connected they are to be secured in place by re- attaching the supplied cable cover to the control box. If removed, the battery cover is fastened into place using the supplied screw.
- The mains cable exiting the control unit should now be connected to the power supply plug. Take the 2 plugs and push them together, ensuring the connection has been fully made before plugging into the mains.
- Drive the bed to its maximum height then secure the actuator cables in the twist clips under the mattress platform (refer to section 6.3.1). Ensure each bed end actuator cable has enough free cable to allow full movement of the actuator.



Fitting battery cover – Unscrew/screw the battery cover into place by using the screw provided



Fitting cable cover - Cable cover unclips/clips into place



Plugging the bed into the mains



Warning

- Ensure all cables, in particular the mains cable, are free from moving parts and are not under excessive tension.
- Make sure that none of the actuator and/or handset cables are placed between moving parts of the bed and check that cables are not tight (especially the main power cable when lifting the bed up and down and/or backrest section control cable) to avoid possible damages. Damaged cables pose a risk of electric shock and/or fire.
- **The two bed ends are identical however plugging the actuators into the correct ports is important to ensure the bed ends operate as intended. Tilt function will not work as intended if incorrectly connected.**
- Make sure that both actuators (high/low) are plugged into the correct ports. If the Trendelenburg or reverse-Trendelenburg function does not work as expected, the high/low actuators can be connected in a wrong way.
- Always disconnect the bed from the mains power supply prior to connecting or disconnecting any cables to the control box.



Warning

- Untightening and break the seals or lid of the actuators, the control box or the power supply will create risk of electrocution and void the warranty.

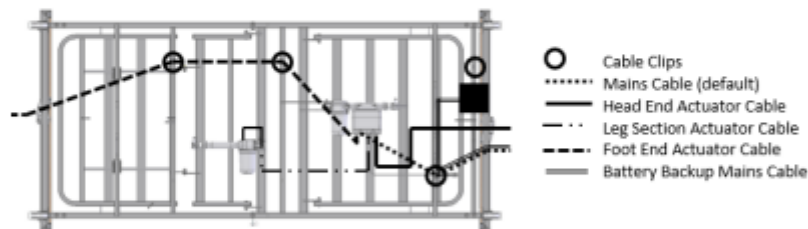


Caution

- Breaking or damaging actuators or the control box (inc. seals) will void the warranty.
- Pulling the plug out of the socket is permissible only for holding the body of the plug / adapter, not the cord.
- Make sure that all cables (especially the power cord) are not placed between moving parts and are not under excessive tension.

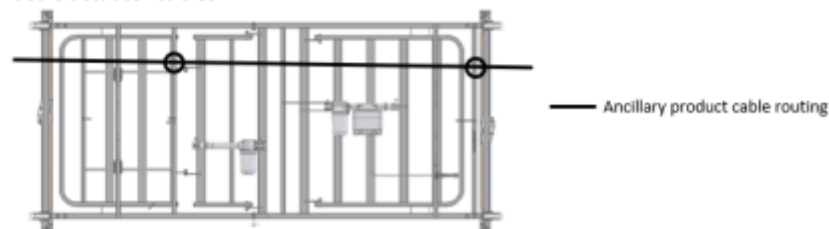
6.3.1. CABLE ROUTING AND ANCILLARY PRODUCT CABLE ROUTING

The bed is equipped with 4 holders that enable to suspend the power cable under the mattress platform. The cables are to be routed on the bed frame as shown below:



Bed cable routing

When fitting ancillary electrical equipment, the ancillary mains cable is to be routed using the twist cable clips located underneath the bed. These clips are shared with the bed's actuator cables.



Ancillary product cable routing



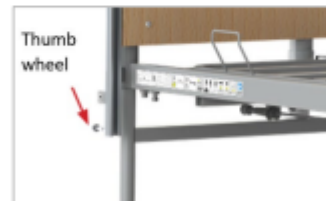
- Ensure all cables, in particular the mains cable, and ancillary cables are free from moving parts and are not under excessive tension to avoid cable damage - Damaged cables can create a risk of electrocution/fire.
- All cables must be suspended under the mattress platform in holders designed for this purpose – protection against abrasion and touching the floor.
- Inappropriate handling/positioning of the mains cable may cause the damage or cut of the cable – this situation may expose live conductors (risk of electric shock).
- Consider the adequate placement of actuator and/or handset cables in order to minimize the risk of accidental suffocation as a result of the entanglement of the user and/or other people.

6.4. ASSEMBLY OF WOODEN SIDE RAILS

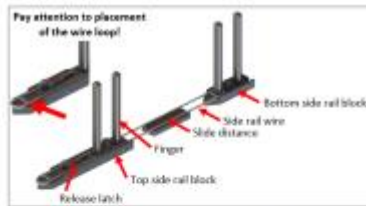
Before installation, ensure the length of the side rails is suitable for the length of the mattress's platform (standard or extended side rails).

Note: If the side rail finger blocks are already located inside the side rail channels, remove the finger blocks from just one end of the bed, then proceed to assembly stage 5 below.

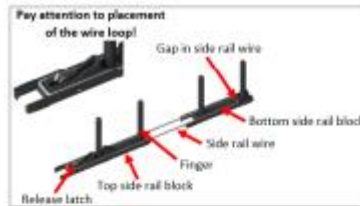
- Lower/raise the bed to its medium height (see section 8.5.2 regarding the operation of the bed's electrical functions). Lower the side rails mechanism (if fitted) to the end of the aluminium channel by pressing release latch on each bed ends (see section 8.4.2).



- Unscrew the thumb wheels located at the bottom of each side rail channel.
- Clip the side rail wire over the top side rail block, identified by the metal release latch at one end.
Note! Pay attention to placement of the wire loop!
Note! Check the type of used rail finger blocks!



Top side rail block and wire assembly (for 85 mm, 95 mm and 100 mm height side rails)



Top side rail block and wire assembly (for 110,5 mm height side rails)

- Insert the top side rail block with side rail wire into one of the side rail channels until it latches in the lowest position; note the correct orientation of the block (release latch to top).
- Slide the side rail over the fingers in the top side rail block (rounded surface facing up). Carefully put the other end of the side rail on the ground, making sure that it is slid enough over the fingers to prevent it from falling out.
- Connect another side rail wire and top side rail block together as described in step 3, and insert the fingers into the vacant end of the top side rail. Lift this top side rail block into the channel until it latches in place.
- Release the latch on one of the top side rail blocks and steadily lower to allow sufficient space for the fitting the slide distance (if used) and bottom side rail block to clip over the lift wire. It is essential that the lift wire is fitted into the bottom side rail block in the correct location.



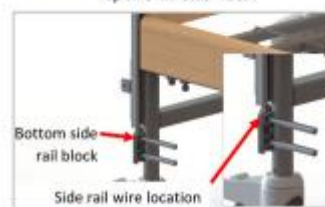
Top side rail block latched



Top side rail inserted



Top side rail assembled



Bottom slide block and wire assembly

- Slide the second (bottom) side rail over the fingers in the bottom side rail block. Raise the side rail so it latches in the highest position at one end. Make sure that the side rail is slid enough over the fingers to prevent it from falling out.



- Repeat for the other end of the bottom side rail.



- Reinsert the thumb-wheels into the bottom of each side rail channel to secure the side rails in place.



- Repeat the process for the other side of the bed. Check the side rails operate correctly, smoothly and latch in the highest position to confirm that they are correctly assembled. Once assembled check bed ends are still pushed up against the platform fully.



Warning

- In case of any doubts concerning the installation of side rails, contact the supplier or manufacturer – incorrectly fitted side rails can lead to death.
- Side rails must be installed on both sides of the bed (on the side of the wall as well).
- With standard side rails, the maximum height of the mattress is 160 mm.



the bars of the side rails are not wide enough to present a potential risk of entrapment and/or asphyxiation. All staff responsible are to be aware that increased vigilance is required when nursing patients in beds fitted with side rails.

6.5. FITTING RATCHET

The bed can be equipped with a ratchet to adjust the leg section angle; refer to section 16 for a comprehensive list of optional accessories. If the ratchet is supplied as an accessory with a spanner, you will also need the Allen Key provided with the bed - refer to section 5.1 for Allen key location on the bed.

- Fully extend the ratchet, before putting it up to the bed (note ratchet orientation).
- Place the provided plain washer on the screw, then put them through the hole on the ratchet. Place on the outstanding end of the screw the white spacer and then put the whole set through the hole on the leg section platform, facing the thread towards the actuator. Add the plain washer and using the Allen key and spanner provided tighten into place with the nyloc nut. This end of the ratchet is now fixed into position.

Note! Pay attention to the ratchet orientation.

- Place the plain washer on the other screw. Take the loose end of the ratchet and place the screw with the washer (**facing the screw head on the opposite side to the first screw**). Place on the outstanding end of the screw the white spacer and then place the whole set through the hole on the calf section. Add the plain washer and using the Allen key and spanner provided tighten into place with the nyloc nut.
- The ratchet is now fixed into position, check operation before use.

