

PARTS LIST

Freedom Bath



General information

Note. All article numbers starting with **85** indicates that more than one detail is included in the article number.
Blue text indicates changes compared to previous manual.

How to order

Before ordering spare parts study the exploded view closely and make sure that you note all involved spare parts.

Please note that gaskets and o-rings normally are included in kits and can not be ordered separately.


When taking contact with Arjo Parts sales always have the following information at hand:

- Correct name of the product. See type label.
- The serial number of the product. See labels.


Serial Number From November 2016

REF PRODUCT CODE
SN SERIAL NUMBER

Consecutive number




(01)GTIN No.



(11)YYMMDD(21)Serial No.


Site (VEPL= Veplas)



YYYY-MM-DD 8618944_2


Serial Number From April 2014

REF XXXXXXXXXXXXXXXX




SN XXXXXXXXXXXXXXXX

Consecutive number



Site (VEPL= Veplas)



YYYY-MM 8618944 A

Serial Number From June 2008

The serial number consists of the following parts:

0806000001

Year Month Consecutive Number

Manufacturing country and Manufacturing Works can no longer be readout.

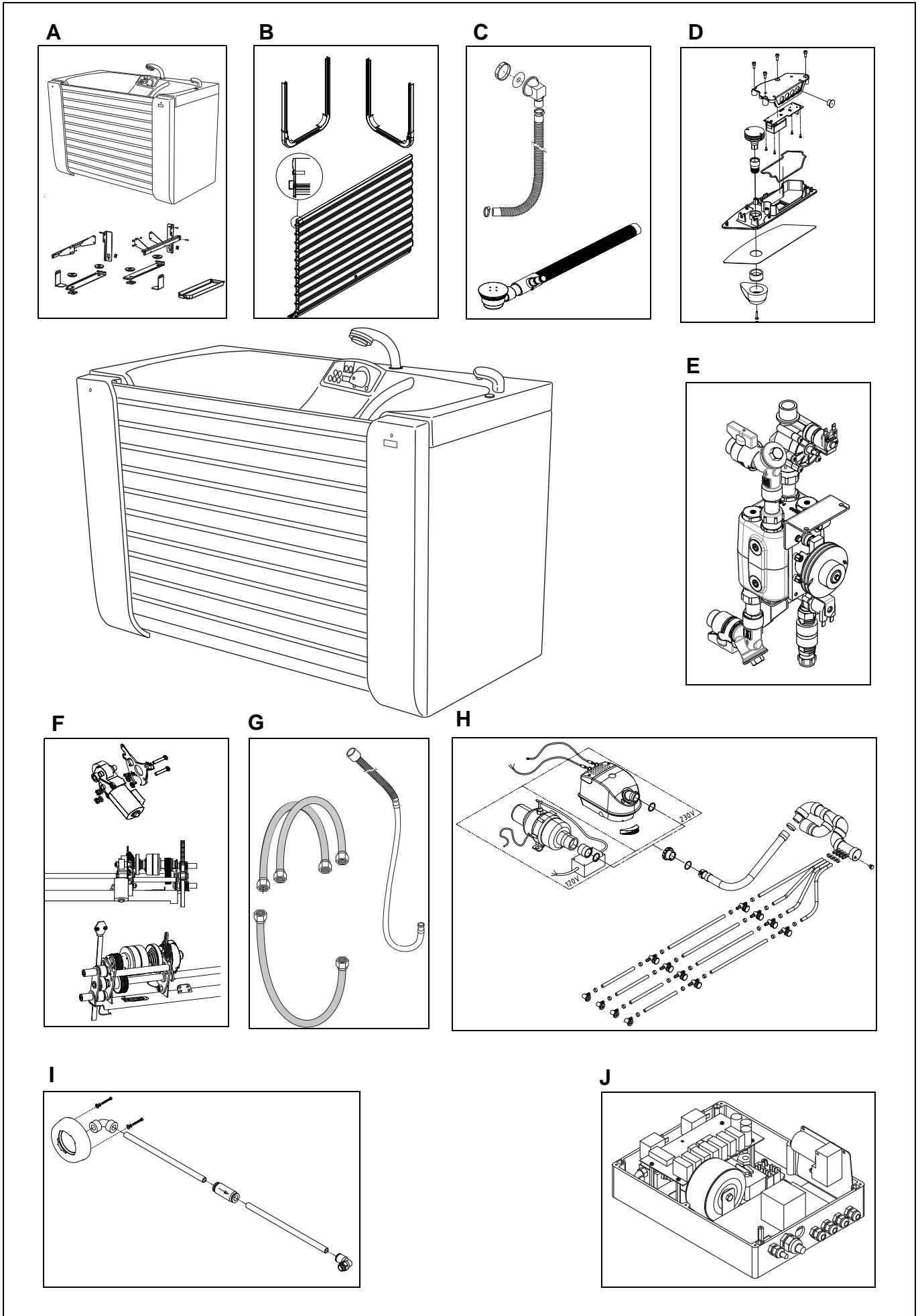
Contents Freedom Bath III
(From Serial N:o Canada SEE0718020)

Overview	4
A Tub and Chassis	6
B Door, Door Guide	8
C Drain	10
D Control Panel	12
E Mixing Unit	14
F Motor and Drive	16
G Mixer Hoses	18
H Air-Spa	20
I MultiClean	22
J Power Box	24
Preventive Maintenance Parts/Recommended Spares	26
Service Articles and Special Tools	28

Overview

Pos	Description	See page
A	Tub and Chassis	6
B	Door, Door Guide	8
C	Drain	10
D	Control Panel	12
E	Mixing Unit	14
F	Motor and Drive	16
G	Mixer Hoses	18
H	Air-Spa	20
I	MultiClean	22
J	Power Box	24

Overview

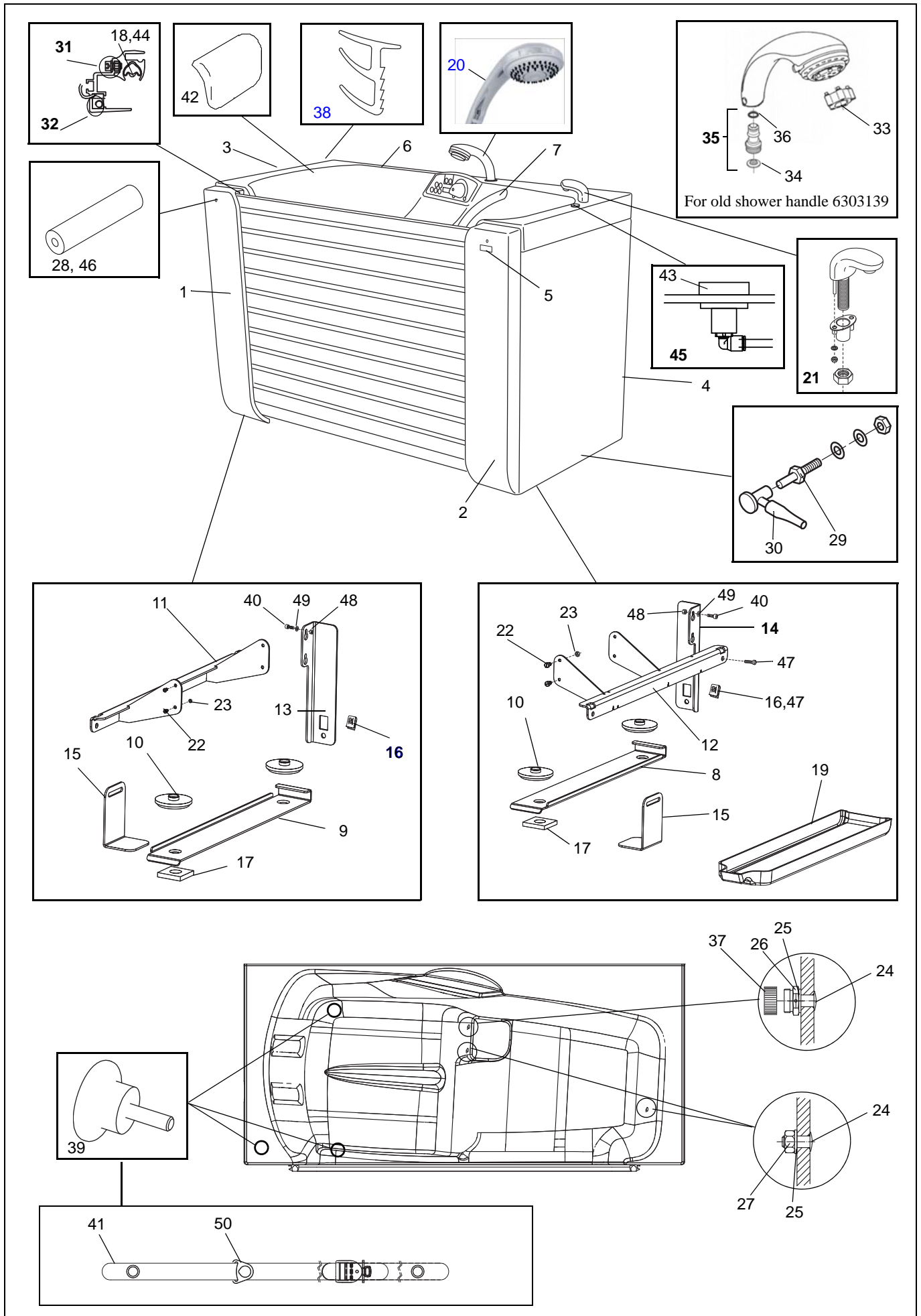


A

Tub and Chassis

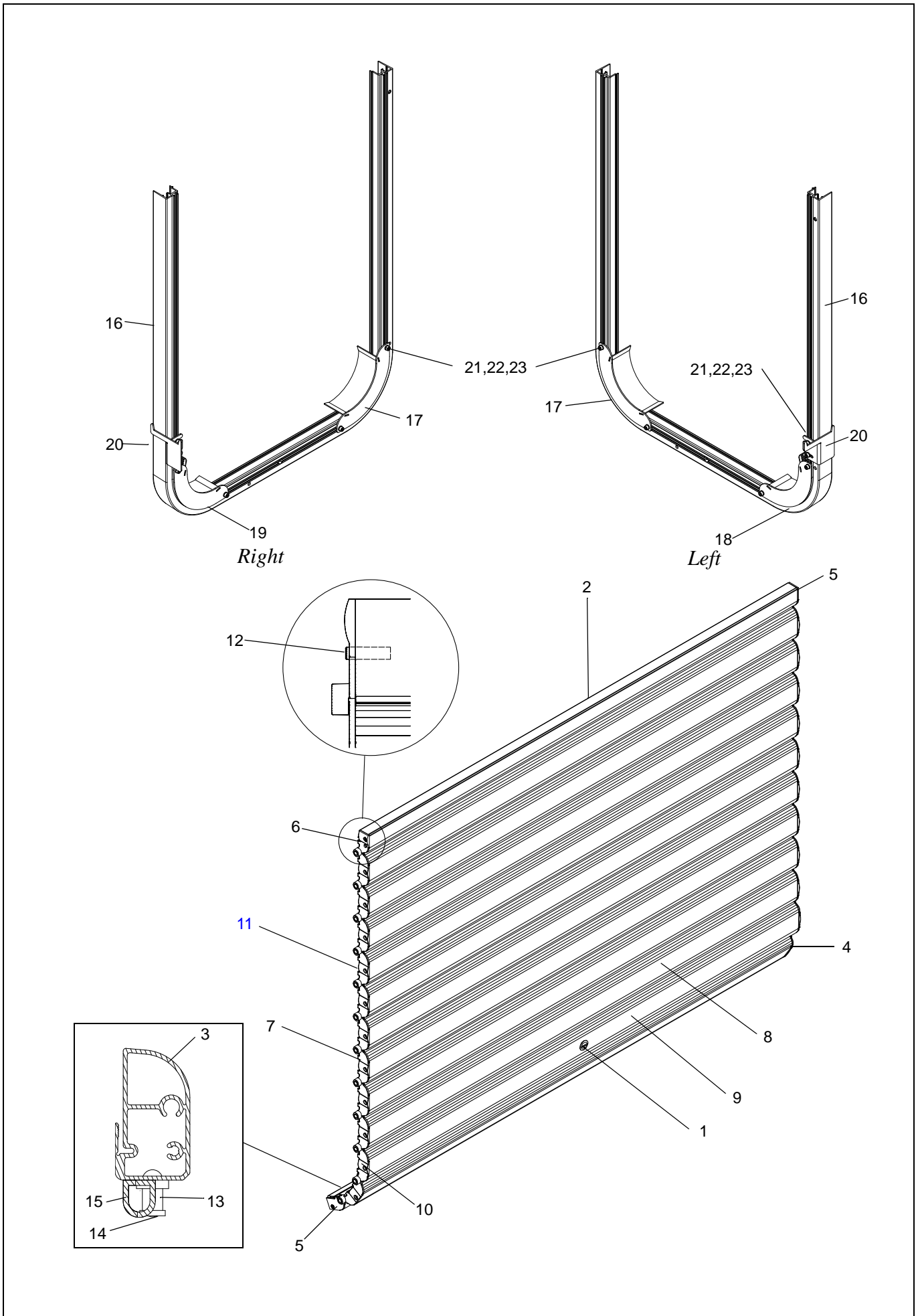
Pos	Art. No.	Qty	Description	From ser. No.	Up to ser. No.	Remarks
1	8360121-034 8360121-041	1	Frontpanel grey, left Frontpanel white, left			New version
2	8360122-034 8360122-041	1	Frontpanel grey, right Frontpanel white, right			2012 with horizontal logo
3	8260123-034 8260123-041	1	Sidepanel grey, left Sidepanel white, left			New version
4	8260124-034 8260124-041	1	Sidepanel grey, right Sidepanel white, right			New version
5	8418237 8418700	1	ARJO Logo Arjo logo			Vertical position (-Nov. 2012) Horizontal position (Nov. 2012-)
6	8260125-034 8260125-041	1	Backpanel grey Backpanel white			New version
7	8359329	1	Handle			
8	8359665	1	Floor rail right			
9	8359666	1	Floor rail left			
10	8459676	4	Foot			
11	8359661-031	1	Side panel attachment, left			
12	8359662-031	1	Side panel attachment, right			
13	8359659-031	1	Backpanel attachment, left			
14	8359660-031	1	Backpanel attachment, right			
15	8459674	2	Locking plate			
16	6210232	4	Spring nut FM M6			
17	8459675	2	Shims 1			
18	8557131	1	Inflatable Seal with end plugs			
19	8359672	1	Pan			
20	AH1032515	1	Shower Handle, Tandrup			Replaces 6303139 (-Sept 2017) 6303142 (-June 2018), AH1009532 (-Sept 2019)
21	8546876	1	Spout, complete			
22	6130620	8	Screw A4 MC6S ISO 4762 M6x20-80			
23	6210043	8	Lock nut A4-DIN 985 M6-80			
24	8440528	3	Temperature Nipple			
25	6200005	3	Washer A4 BRB ISO 7089 8.4x16x1.6			200HV
26	8442442	1	Nut			
27	6210014	2	Nut A4 M6M ISO 4032 M8 – 80			
28	8459653	2	Front Panel Attachment			
29	8459309	1	Potential Equalizer, male			
30	6370284	1	Potential Equalizer, female			
31	8546878	8	Profile Attachment Kit			
32			Reed Switch Kit			<i>See D Control Panel</i>
33	6907936	1	Shower Handle Tool			For old shower handle 6303139 only
34	6907904	1	Strainer			For old shower handle 6303139 only
35	6907903	1	Swivel incl. O-ring			For old shower handle 6303139 only
36	6907859	1	O-ring			For old shower handle 6303139 only
37	8440527	1	Nut			
38	8459677-041	m	Wall trim white			3x1600 mm needed
39	8456474-013	3	Knob			
40	6130612	4	Screw A4 MC6S ISO 4762 M6x12-80			
41	S8662107-03	1	Safety belt			New version 1207000346.
42	AFA0060	1	Neck Pillow, blue			
43	20629	1	Cover, emergency control			Incl. in pos 45
44	6319484	2	Elbow			
45	S8557344	1	Emergency button, complete			
46	6190060	2	Screw LKCS 6x12 FN MSG			
47	6190565	8	Screw LKCS 6x16 FN MSG			
48	6210013	4	Nut A4 M6M ISO 4032 M6-80			
49	6200003	4	Washer A4 BRB ISO 7089 6.4 x 12 x 1.6-			200HV
50	8457061-031	1	Belt clamp grey			Not included with safety belt

A



B <i>Door, Door Guide</i>						
Pos	Art. No.	Qty	Description	From ser. No.	Up to ser. No.	Remarks
	8560120 8560120-041	1	Door complete aluminium Door complete white			New version
1	8546879	1	Door Lock, complete			
2	8455249 8455249-041	1	End Profile, top aluminium End Profile, top white			
3	8355796 8355796-041	1	End Profile, bottom aluminium End Profile, bottom white			
4	8455177	1	End Plug, left			
5	8455273	2	End Plug, right			
6	8456494	1	End Plug, magnet			
7	8355100	22	End Plug			
8	8355099-041	10	Door Profile white			
9	8356493 8356493-041	1	Door Profile, for door lock aluminium Door Profile, for door lock white			
10	6190491	26	Screw RTS 4,2x19 A4			
11	AH1015662	1	Kit Door Membrane			New version July 2018 including tape
12	6366022	1	Magnet			
13	8456873	2	Rivet			
14	6314151	2	Rivet			
15	S8357371	1	Rubber Seal			For FB III seal must be cut
16	8255102	2	Guide Profile			
17	8356854	2	Plate, rear			
18	8356365	1	Plate, front left			New version
19	8356364	1	Plate, front right			New version
20	8356181	2	Angle Attachment, front lower			
21	6210013	12	Nut A4 M6M ISO 4032 M6-80			
22	6200003	12	Washer A4 BRB ISO 7089 6.4 x 12 x 1.6 -200 HV			
23	6130610	12	Screw A4 MC6S ISO 4762 M6x10-80			

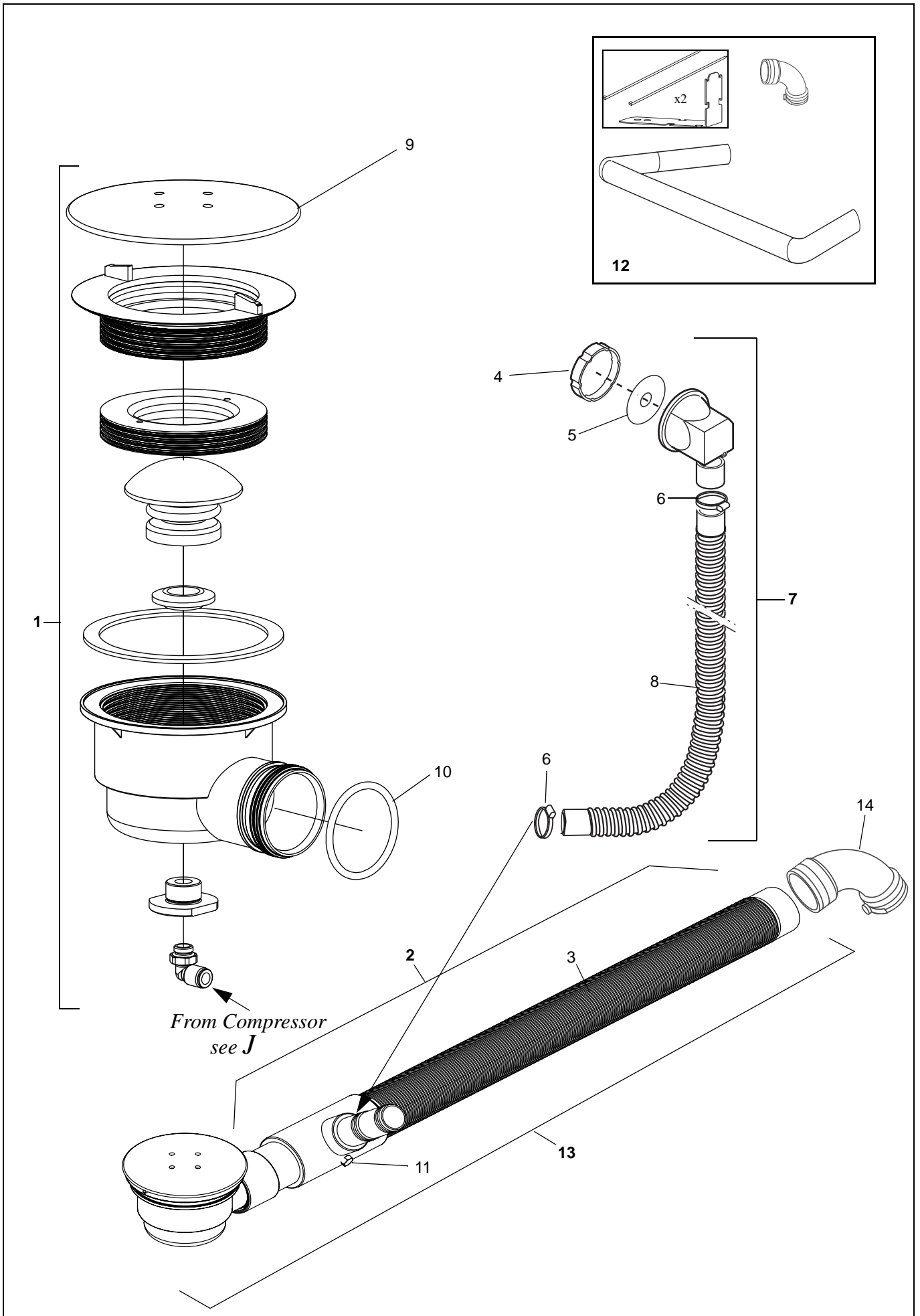
B



C*Drain*

Pos	Art. No.	Qty	Description	From ser. No.	Up to ser. No.	Remarks
1	8256324	1	Drain			Improved bellow Jan. 2009
2	8255876	1	Pipe			New version
3	8356594	1	Hose			
4	8455774	1	Knob			
5	8453083	1	Seal			
6	6319042	2	Hose Clamp			
7	8456472	1	Overflow Drain, complete			
8	8455272	1	Hose			
9	6311271	1	Strainer			
10	6262449	1	O-ring			
11	PY7063	1	Plug			
12	AFA0045	1	Drainage Piping, elbow and wall attachments			New-existing Freedom Bath I
13	8556593		Drain, complete			New version
14	AFA0015		Elbow 1 1/2"			Both ends internal measurement= 48mm (1.9")

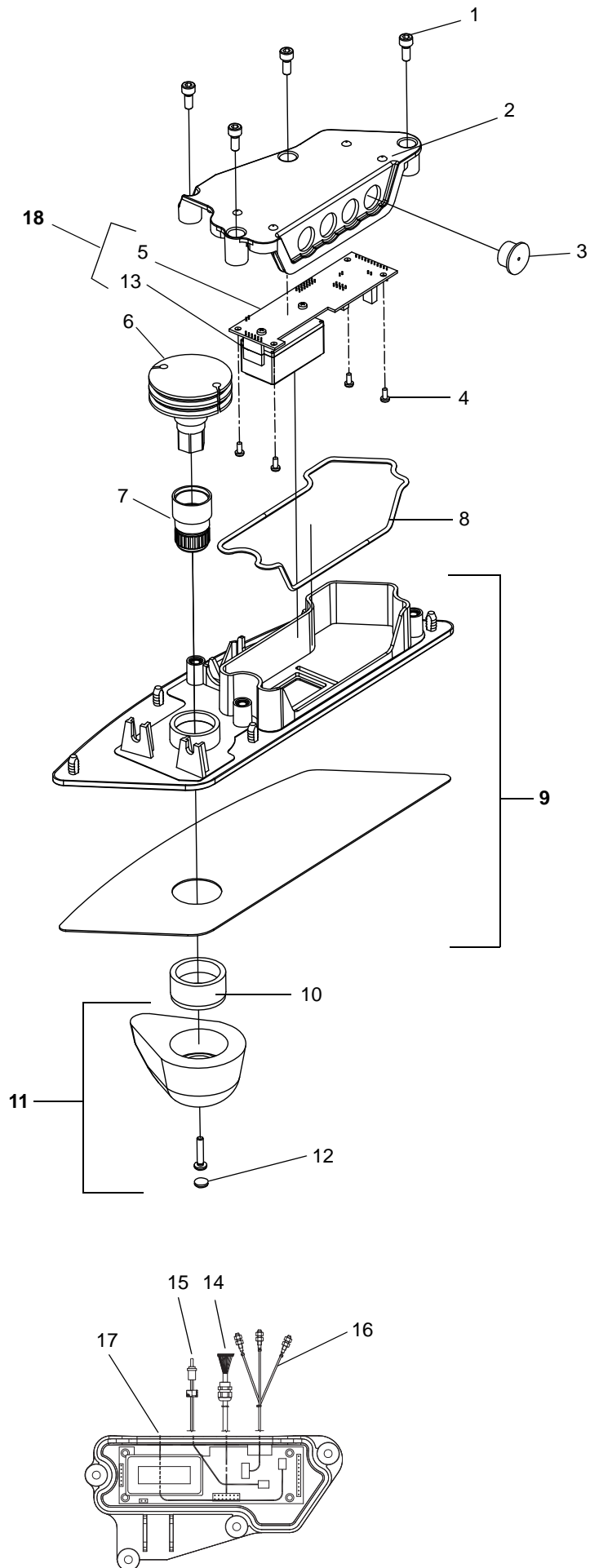
C



D**Control Panel**

Pos	Art. No.	Qty	Description	From ser. No.	Up to ser. No.	Remarks
1	6130512	4	Screw A4 MC6S ISO 4762 M5x12-80			
2	8355787-035	1	Panel Cover			
3	6316265	1	Plug			
4	6190286	4	Screw FZB RXK ISO 7049 2.9x6.5 - 8.8- FH			
5	8664326	1	Panel Board Celsius /Fahrenheit			Only new number, will replace 6370622.
6	8355939	1	Wire Drum			
7	6319338	1	Bushing			From 0908001244, plastic version
8	6306143B	1	Seal			New version 1205000948
9	8546955-0353 8546954-0353 8546955-0354 8546954-0354	1	Panel, Air-Spa with mixer Panel, Stillbath with mixer Panel, Air-Spa without mixer Panel, Stillbath without mixer			
10	6319334	1	Stop Ring			
11	8239131-031	1	Control Knob incl screw			
12	6316120	1	Plug, grey			
13	8559261	1	Display			
14	8355911	1	Frontpanel Harness			
15	8355761 8355241	1	Mixer Sensor, with mixer Tub Sensor, without mixer			
16	8546869	1	Reedswitch Harness Kit			
17		1	Mixer Harness			See <i>J Power Box</i>
18	88460193	1	Panel Board complete with display			

D

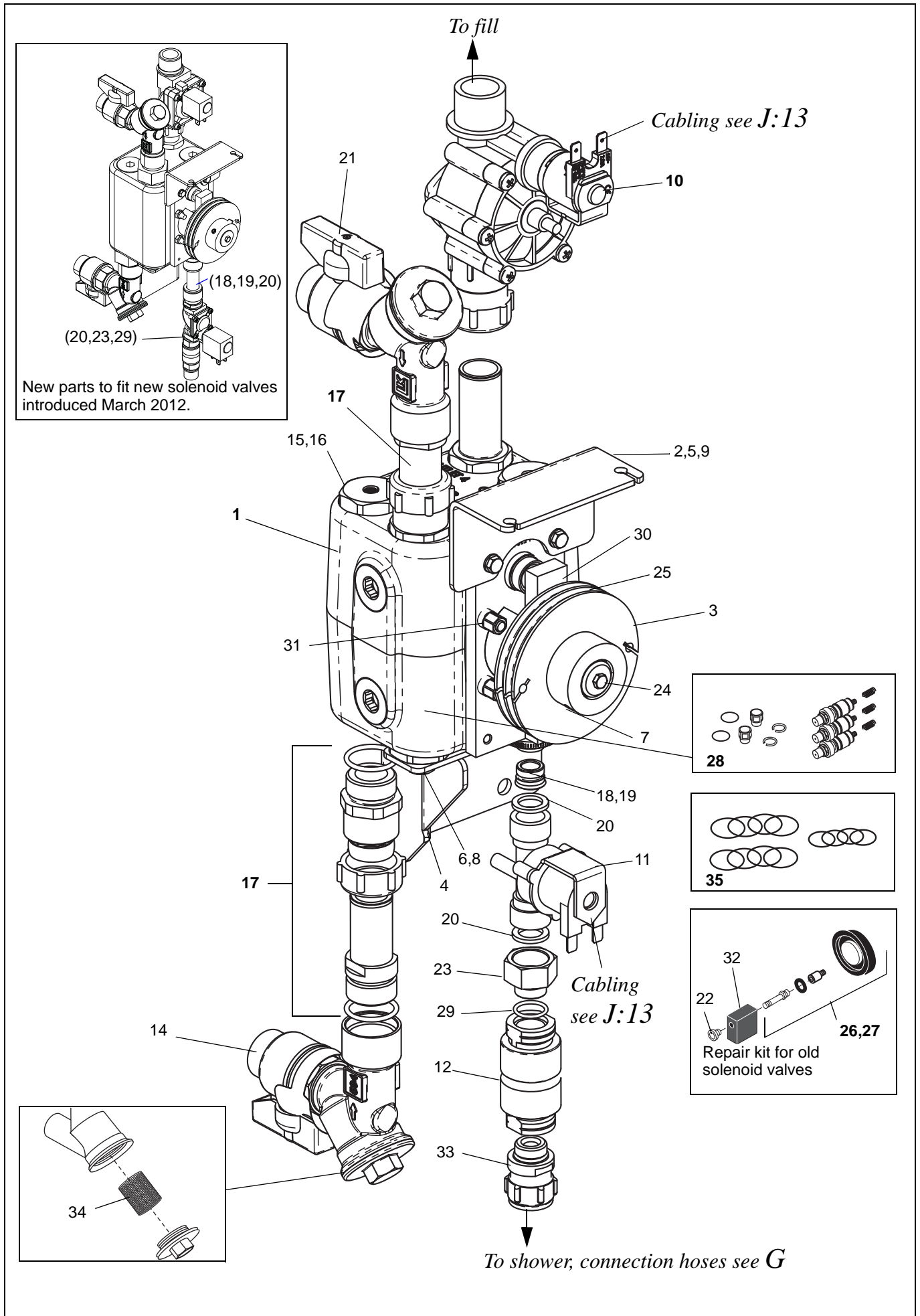


E

Mixing Unit

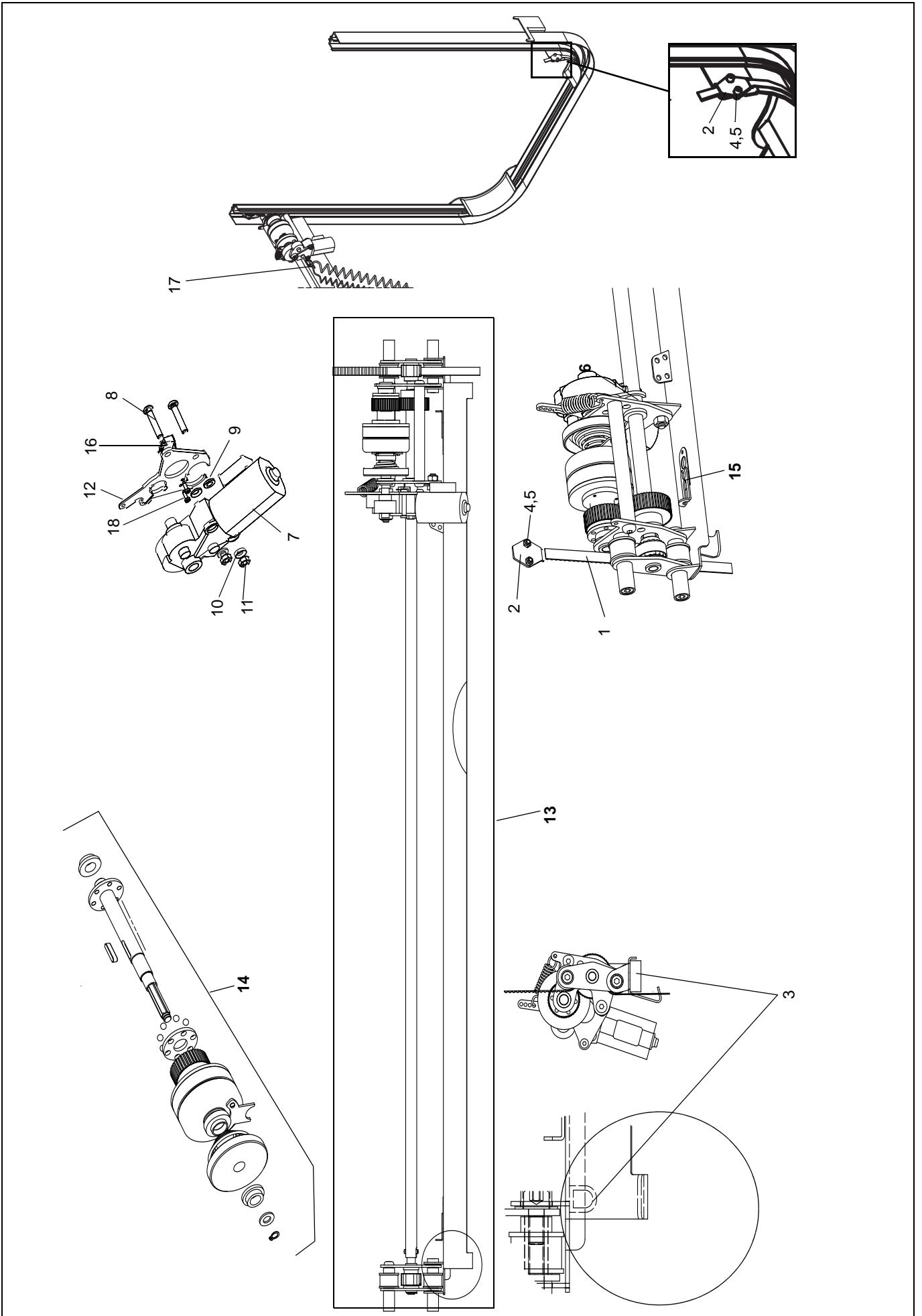
Pos	Art. No.	Qty	Description	From ser. No.	Up to ser. No.	Remarks
1	8547094	1	Mixer complete			
2	8456059	1	Wire Attachment			
3	8356656	1	Wire Wheel			
4	8662954	1	Mixer Attachment			New version to fit 6312169
5	6100510	2	Screw A4 M6S ISO 4017 M5x10-80			
6	6100816	2	Screw A4 M6S ISO 4017 M8x16-803			
7	6190282	2	Stop screw A4 MS6SS ISO 4027 M6x8-21H			
8	6200005	2	Washer A4 BRB ISO 7089 8.4x16x1.6			200HV
9	6200002	2	Washer A4 BRB ISO 7089 5.3x10x1			200HV
10	8665044	1	Solenoid valve RPE 3/4" 24VAC			Fill valve including coupling.
11	6312169	1	Solenoid valve, RPE 1/2"24VAC			Shower
12	140108	1	Backflow prevention			
13	S8550219	1	Connection 3/8"			
14	6305121	1	Shut-Off Valve, hot water			
15	6262441	2	O-ring			Incl. in Kit Pos. 35
16	6316195 6311411	2	Plug			
17	AH1000870	2	Mixer connection kit			New Feb 2017 will fit all old mixers.
18	6260105	1	O-ring 12,1x1,6 EPDM			
19	8662953	1	Bushing shower outlet			
20	6316139	2	Seal, Klingersil 19x13x2			
21	6305122	1	Shut-Off Valve, cold water			
22	6907726	2	Nut			
23	8662955	1	Nipple			
24	6100412	1	Screw A4 M6S ISO 4017 M4x12-70			
25	8356319	2	Wire			
26	S6907722	1	Repair Kit Solenoid valve 3/8"			Membrane+anchor+anchor housing
27	S6907723	1	Repair Kit Solenoid Valve 3/4"			Membrane+anchor+anchor housing
28	8547097	1	Repair kit mixer			3 cartridges with springs and 3 non-return valves, all o-rings
29	6260108	1	O-ring, D14x1,78 EPDM			
30	6907718 6907717	1	Adjustment plate Adjustment plate		1108000439	Not UK WW
31	6907715	4	Nut			
32	6907727	2	Coil solenoid valve			
33	S8550219	1	Connection 3/8"			Nipple+o-ring+ittings
34	6907788	2	Filter			
35	8546655	1	O-rings Kit for mixer			New version

E



<i>F</i> <i>Motor and Drive</i>						
Pos	Art. No.	Qty	Description	From ser. No.	Up to ser. No.	Remarks
1	6307163	3,5m	Cog Belt			Total lenght for both belts
2	8356402	4	Cog Belt Plate			
3	6311277	1m	Rubber seal			
4	6130410	8	Screw A4 MC6S ISO 4762 M4x10-70			
5	6210011	8	Nut A4 M6M ISO 4032 M4-80			
6	6305148	1	Tension Spring			
7	8351291	1	Motor, complete			
8	6190647	2	Screw A4 M6S ISO 4017 M6x40-88			BUMAX
9	6200054	2	Washer A4 RBS ISO 7093 6.4x18x1.61			200HV
10	6200003	2	Washer A4 BRB ISO 7089 6.4x12x 1.6			200HV
11	6210043	2	Lock nut A4-DIN 985 M6-80			
12	8456361	1	Torque Bar			
13	8556249	1	Motor Drive Complete			
14	8546870	1	Motor Shaft Complete			
15	8546871	1	Door Attachment Kit			
16	6372048	1	Microswitch			
17			Door Protection Switch, Kit			<i>See J Power Box</i>
18	6190326	2	Screw A4 RXS ISO7049 ST 2.9x9.5			80-CZ

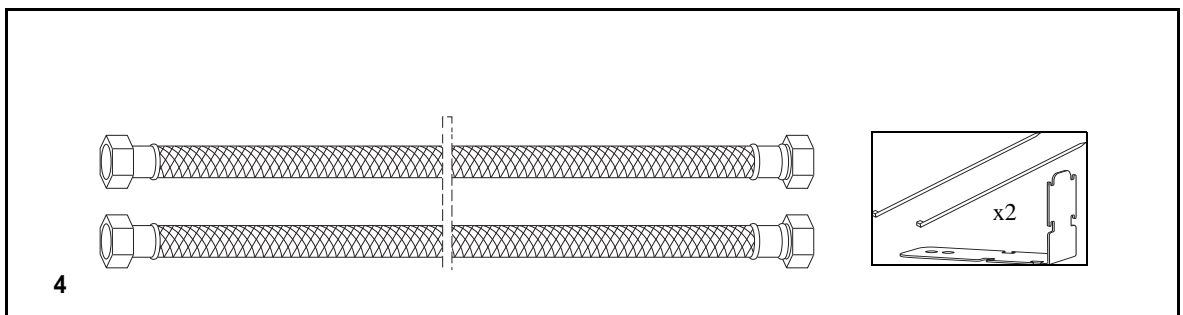
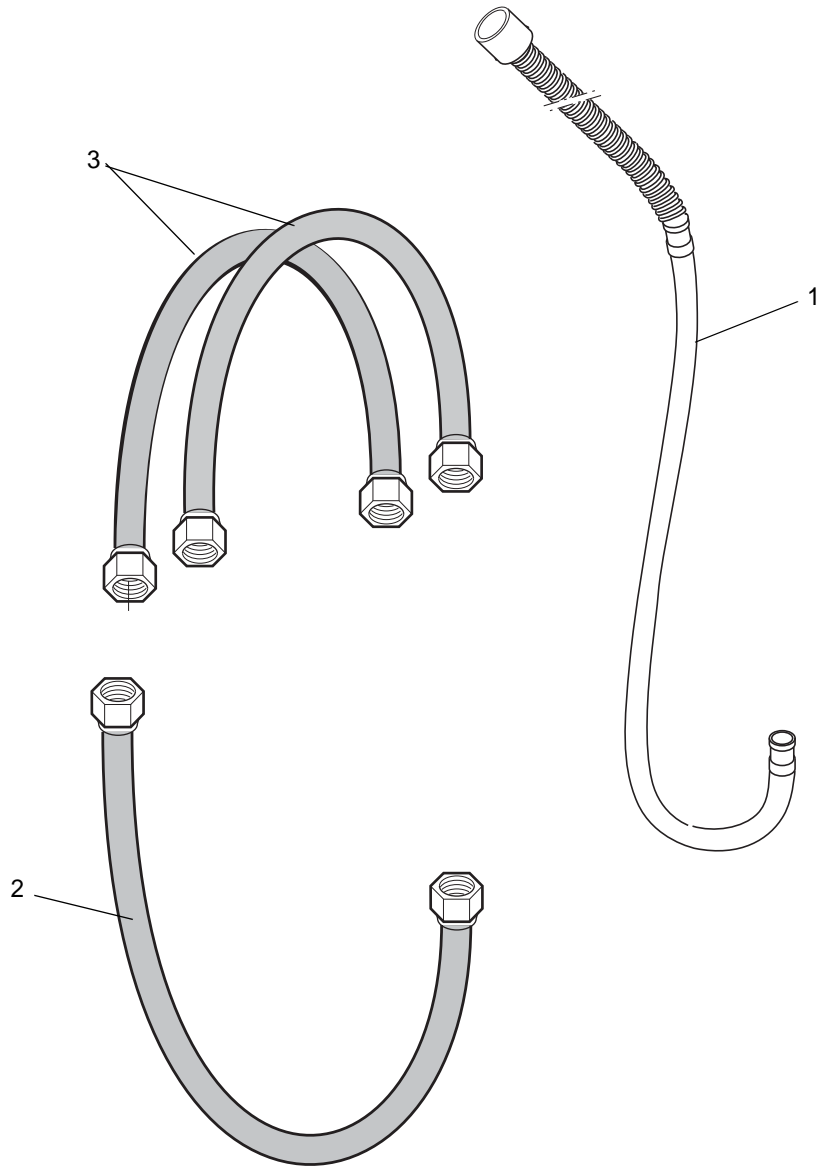
F



G**Mixer Hoses**

Pos	Art. No.	Qty	Description	From ser. No.	Up to ser. No.	Remarks
1	6270366	1	Shower Hose			
2	6270397	1	Fill Hose 3/4" W270			l=2400mm ;
3	6270395 8563020-1200	2	Inlet Hose 3/4" DVGW Inlet Hose 3/4",WRAS, GB			l=1200mm,stainless
4	AFA0025	1	Extended Inlet Hoses, DVGW			Two hoses l=2400mm, holders w. straps

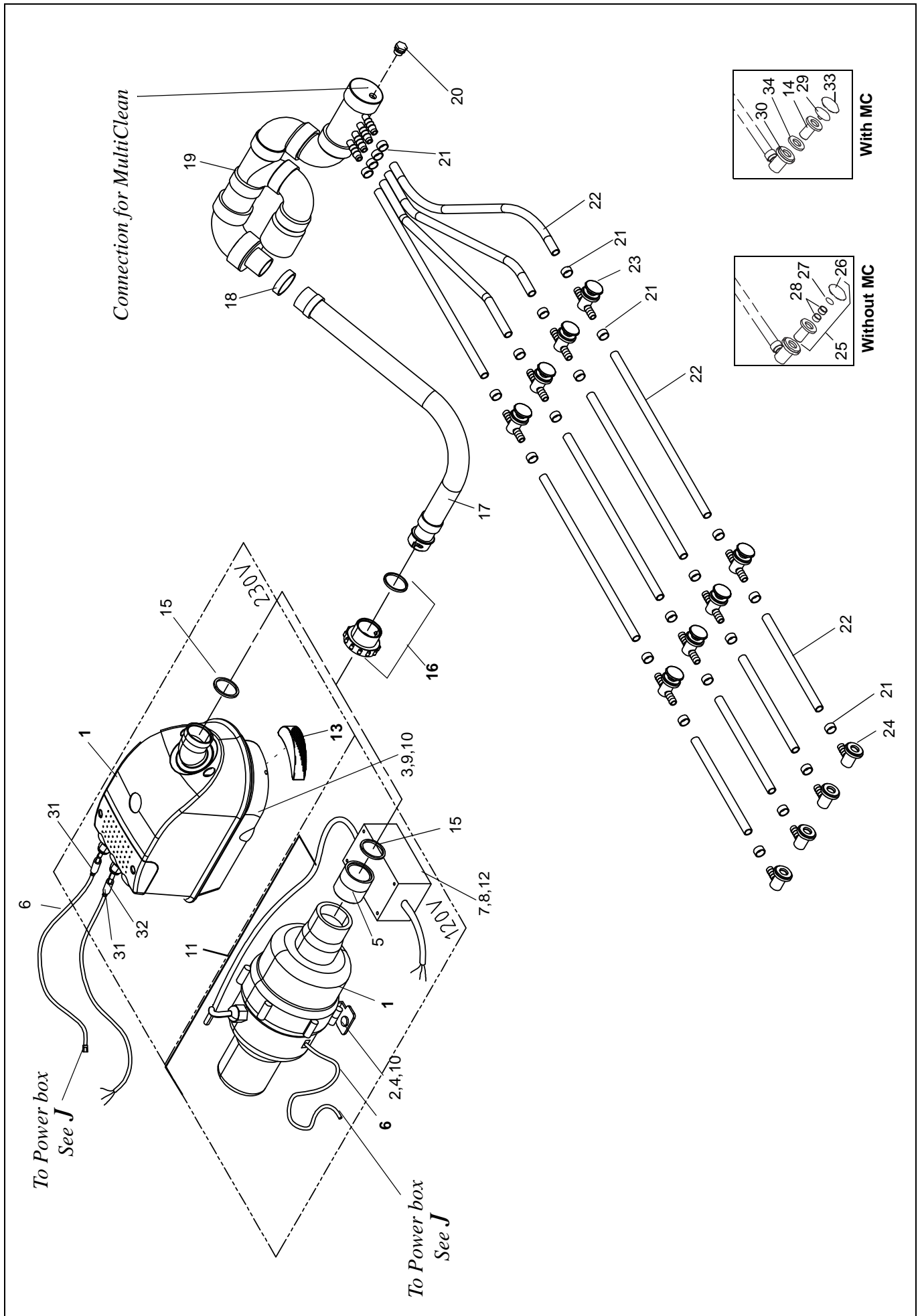
G



H***Air-Spa 120/230V***

Pos	Art. No.	Qty	Description	From ser. No.	Up to ser. No.	Remarks
1	6301185 6301183	1	Air blower 120V Air blower 230V			New harness 8362426 needed Incl gasket 6316276
2	6130620	2	Screw A4 MC6S ISO 4762 M6x20-80			120V
3	6210043	2/3	Lock nut A4-DIN 985 M6-80			120V 2 pcs./ 230V 3 pcs
4	6200002	4	Washer A4 BRB ISO 7089 5.3x10x1-200HV			120V
5	8456737	1	Adapter			120V
6	8356004 8662426 8356162	1	Air speed Harness 120V Air speed Harness 120V Air speed Harness 230V	1110000913	1110000912	From 1110000913 Harness 8662426 must be used for Airblower 120V
7	6130420	4	Screw A4 MC6S ISO 4762 M4x20-70			120V
8	6210041	4	Lock nut A4-DIN 985 M4-80			120V
9	6130625	3	Screw A4 MC6S ISO 4762 M6x25-80			230V
10	6200054	2/9	Washer A4 RBS ISO 7093 6.4x18x1.61-200HV			120V, 2 pcs./230V 9 pcs
11	8256273	1	Air Blower 120V complete			Incl. cabling, filterbox
12	6305151	1	Filter			Only filter, no box
13	6305156	1	Air Filter			230V
14	8456736	12	Nipple			With MultiClean
15	6316276	1	Gasket			
16	6328033	1	Adapter			
17	6270365	1	Hose			
18	6319042	1	Hose clamp			
19	8356767	1	Manifold			
20	6316241	1	Plug with O-ring			
21	6361008	24	Hose clamp, plastic			
22	20916	5m	Hose			Total length; 12 hoses
23	20918	8	Fitting Air Jet Tee			
24	20917	4	Fitting Air Jet Elbow			
25	20919	12	Air Jet, complete, white			Without MultiClean
26	20925	12	Cap, white			Without MultiClean
27	20928	12	O-ring			Without MultiClean
28	20927	24	Check Valve			Without MultiClean
29	PP0523	12	Air Jet Diaphragm			With MultiClean
30	8456964	12	Gasket			With MultiClean
31	6301084	2	Strap			230V
32	6370515	1	Ferrite Core			230V
33	PP0978 8360135	12	Cap, chrome Cap white			With MultiClean
34	6200188	12	Rubber washer 1" x 14mm x 1/8"			With MultiClean

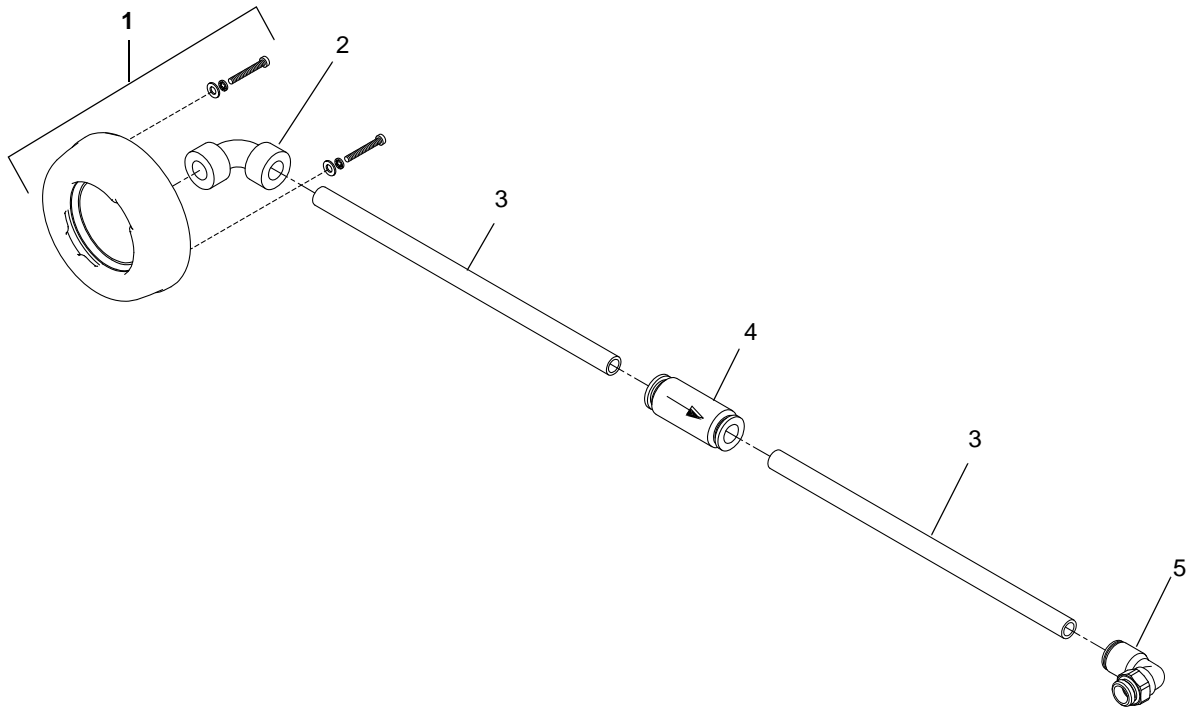
H



I**MultiClean**

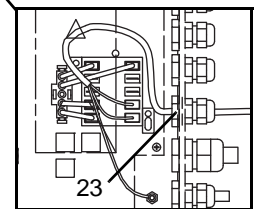
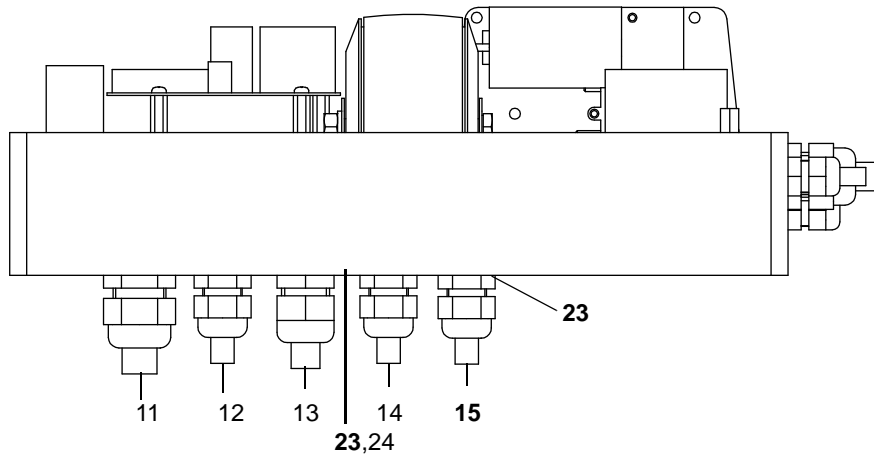
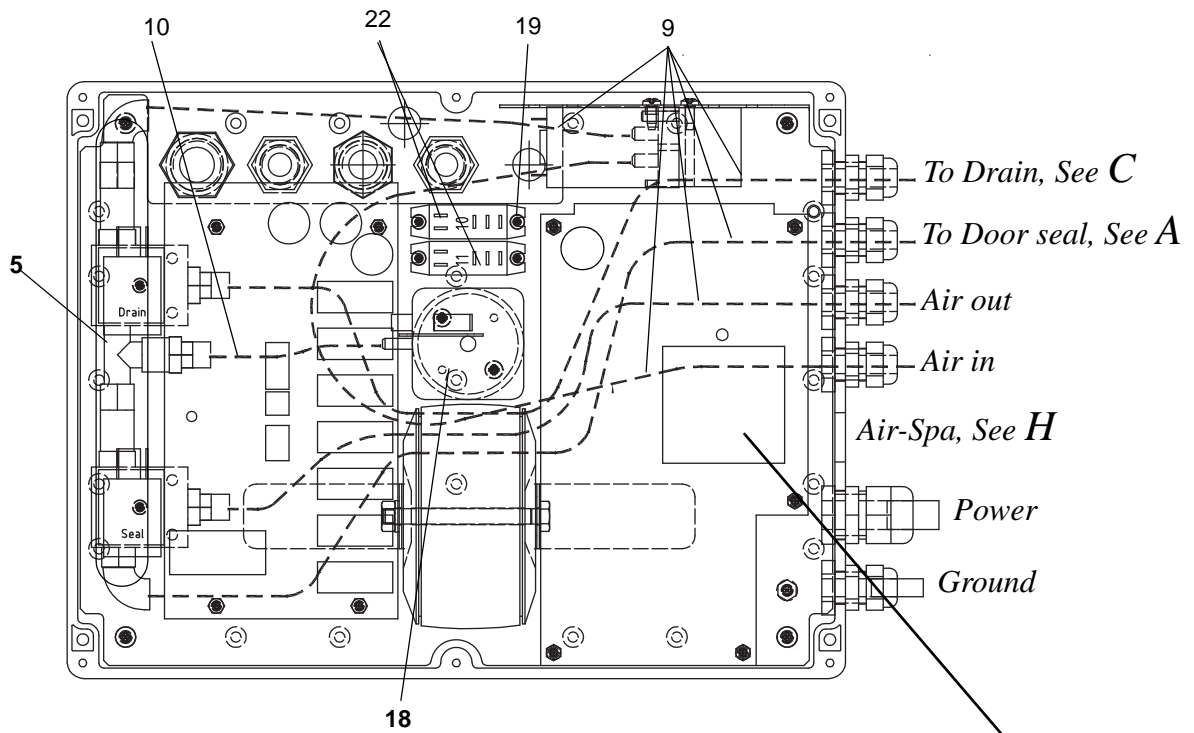
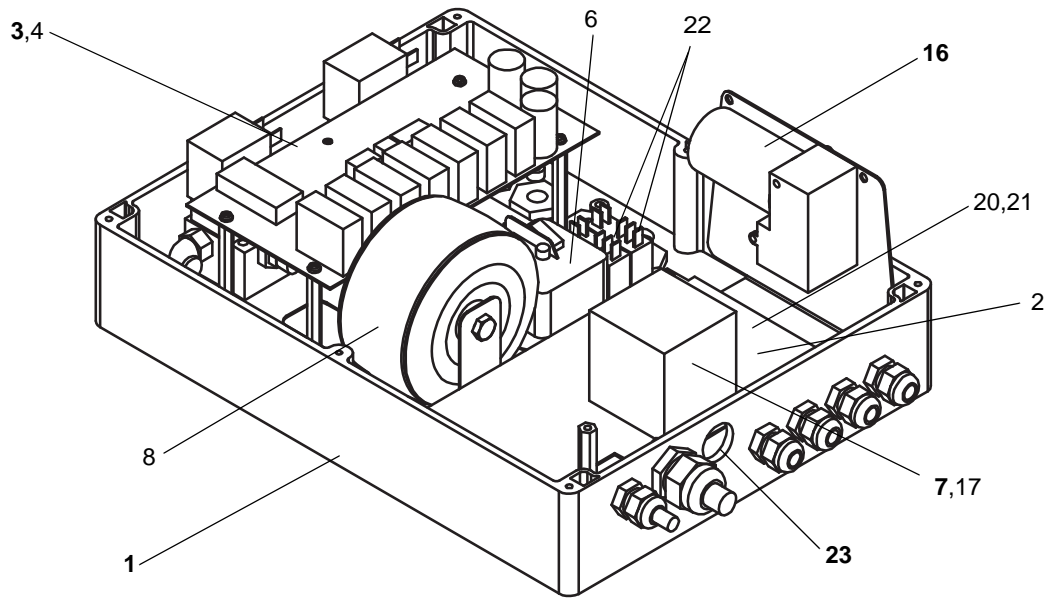
Pos	Art. No.	Qty	Description	From ser. No.	Up to ser. No.	Remarks
1	8546872	1	Disinfection Ferrule, complete			Incl. screws and washers
2	PP0861	2	Elbow			
3	6270363	2m	Hose			Total length; 2 hoses
4	PP0858	1	Check Valve			
5	6250828	1	Angle Coupling			

I



<i>J</i> <i>Power Box</i>						
Pos	Art. No.	Qty	Description	From ser. No.	Up to ser. No.	Remarks
1	8555788-120 8555788-230	1	Powerbox Complete without Contactor			
2	S8663777	1	Power Board			
3	8664082	1	Control Board incl. EPROM			
4	6907900	1	EPROM, latest revision			
5	6301184	1	Pilot Valve Kit			Drain+Seal valve
6	6320208	1	Pressure Switch			
7	8545014	1	Contactor Kit			For Air-Spa/Hydromassage
8	6320115	1	Transformer			
9	6270361	7m	Hose PUR			Total length; 5 hoses
10	6270276	1m	Hose PVC			Total length; 1 hose
11			Front Panel Harness			See <i>D Control Panel</i>
12	8355909	1	Level Sensor Harness			
13	8662592	1	Mixer Harness			New cabling will also fit old models See <i>D Control Panel</i>
14	8357563	1	Door Motor Harness			
15	8556812	1	Door Protection Switch Kit			Only lift-accessible, incl. screws, See <i>F Motor and Drive</i>
16	8355922	1	Compressor, complete with Harness			
17	6190390	2	Screw FZB RXX ISO 7049 ST 4.2x9.5 -8.8-FH			
18	8355920	1	Pressure Switch Harness			
19	6190286	4	Screw FZB RXX ISO 7049 2.9 x 6.5- 8.8-FH			
20	6379122	3	Fuse Holder			
21	6379007	2	Fuse T315mAL (5x20)			120V =2, 230V=3
	6379103	2/3	Fuse T4AL (5x20)			
	6379038	1	Fuse T500mAL (5x20)			
	6379095	1	Fuse T6,3AL (5x20)			120V =1, 230V=0
	6379153	0/1	Fuse T10AL (5x20)			
22	6318104	2	Relay			
23	8546873	1	Plug Kit			
24			Air-Speed Harness			See <i>H Air-Spa</i>

J



7,17

Freedom Bath III

Preventive Maintenance Parts/Recommended Spares

Preventive Maintenance Parts	Part number	Number of Freedom Bath III		Page
		1	5	
Air Jet Diaphragm (Air-Spa with MultiClean)	PP0523	12	60	H:29
Cap chrome (Air-Spa with MultiClean)	PP0978	12	60	H:33
Cap, white (Air-Spa with MultiClean)	8360135			
Cap, white (Air-Spa without MultiClean)	20925	12	12	H:26
Extended Inlet Hoses	AFA0025	1	5	G:4
Filter for Air-blower 230V	6305156	1	5	H:13
Inlet Hose 3/4" DVGW	6270395	2	10	G:3
Safety belt	S8662107-03	1	5	A:41

Recommended Spares	Part number	Number of Freedom Bath III		Page
		1	5	
Backflow Prevention	140108	1	2	E:37
Check Valve (Air-Spa without MultiClean)	20927	4	8	H:28
Cog Belt	6307163	3,3m	3,3m	F:1
Display	8559261	1	2	D:13
End plug, door	8355100	1	1	B:7
End plug, left	8455177	1	1	B:4
End plug, magnet	8456494	1	1	B:6
End plug, right	8455273	1	1	B:5
End profile, aluminium	8455249	1	1	B:2
End profile, top white	8455249-041			
Fill valve, RPE	8565044	1	2	E:10
Filter, shut-off valve	6907788	2	4	E:34
Magnet	6366022	1	1	B:12
Repair kit mixer	8547097	1	2	E:28
Repair Kit Solenoid Valve 3/4"	S6907723	1	2	E:27
Repair Kit Solenoid Valve 3/8"	S6907722	1	2	E:33
Motor	6312163	1	1	F:7
O-rings Kit mixer	8546655	1	2	E:35
Panel Board Celsius /Fahrenheit	Old 637062 New 8664326	1	1	D:5
Pressure Switch	6320208	1	1	J:6
Pressure Switch Harness	8355920	1	1	J:18
Reedswitch Harness Kit	8546869	1	1	D:16
Shower Handle	AH1032515	1	2	A:20
Shower Handle Swivel incl. O-ring	6907903	1	2	A:35
Shower Hose	6270366	1	3	G:1
Shower Valve	6312169	1	2	E:11

Wire	8356319	2	4	E:25
Fuse T315mAL (5x20)	6379007	2		
Fuse T4AL (5x20)	6379103	3		
Fuse T500mAL (5x20)	6379038	1		J:21
Fuse T6,3AL (5x20)	6379095	1		
Fuse T10AL (5x20)	6379153	1		

Freedom Bath III

Service Articles and Special Tools

Service Articles	Type	Quantity	Part number
Shell Cassida RLS2	Lubrication	400ml cartridge	6907792
Berulub Sihaf 2	Lubrication	2kg	6907944
Loctite 243	Locking	10ml	6950607
Loctite 5776	Locking	50ml	6311460
Essve 193	Sanitary Silicone	310ml, cartridge	6319106
Teflon Tape TBA	Thread sealant (Hydropump)	-	6950701
Electrolube HTC	Conductivity paste	60g	6319270
Wekem WS-267	Lubrication spray	400ml	6311457
Adhesive, Axson A230, 400 ml	Glue (repair)	400ml	6907960

Special Tools	Part Number
Adhesive gun (repair)	6907961
Tool Conex 303-22x3/4"	8665047

At Arjo, we are committed to improving the everyday lives of people affected by reduced mobility and age-related health challenges. With products and solutions that ensure ergonomic patient handling, personal hygiene, disinfection, diagnostics, and the effective prevention of pressure ulcers and venous thromboembolism, we help professionals across care environments to continually raise the standard of safe and dignified care. Everything we do, we do with people in mind.



ArjoHuntleigh AB
Hans Michelsensgatan 10
211 20 Malmö, Sweden
www.arjo.com

arjo