

PARTS LIST

Walker



General information

Note. All article numbers starting with **85** indicates that more than one detail is included in the article number. Blue text indicates changes compared to previous manual.

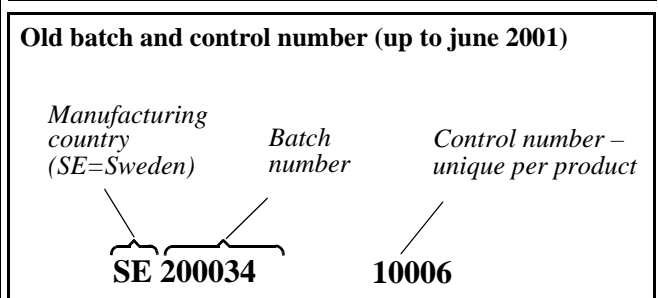
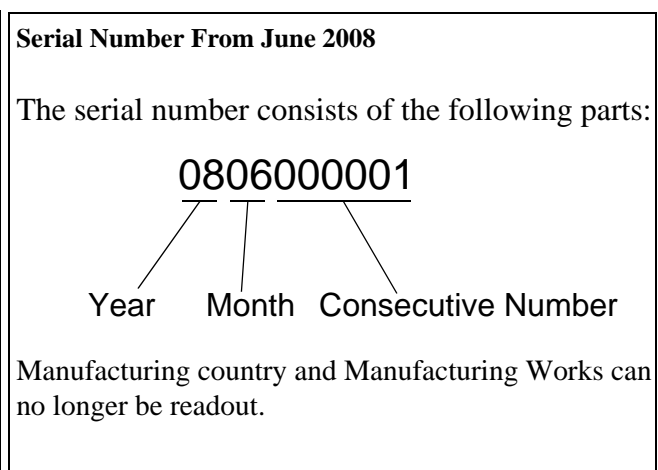
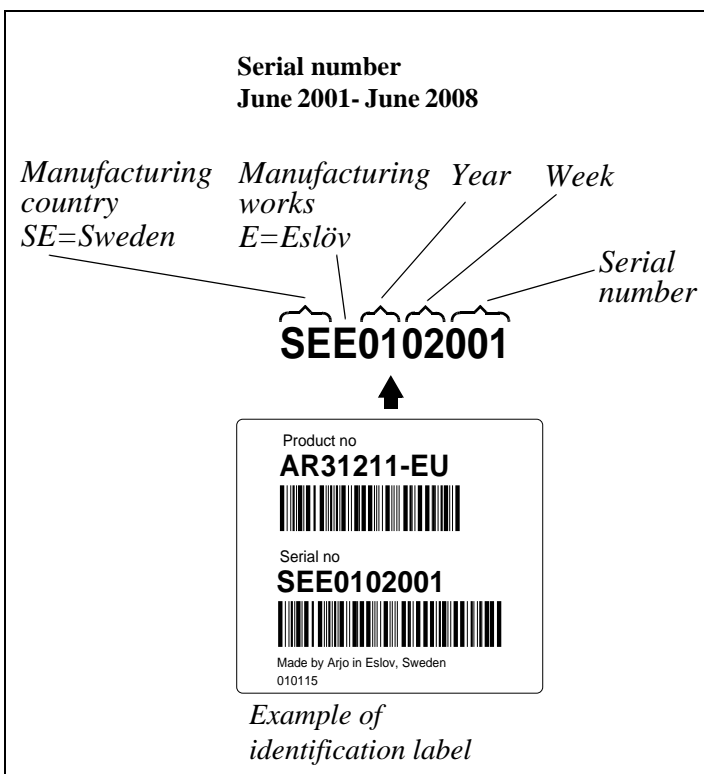
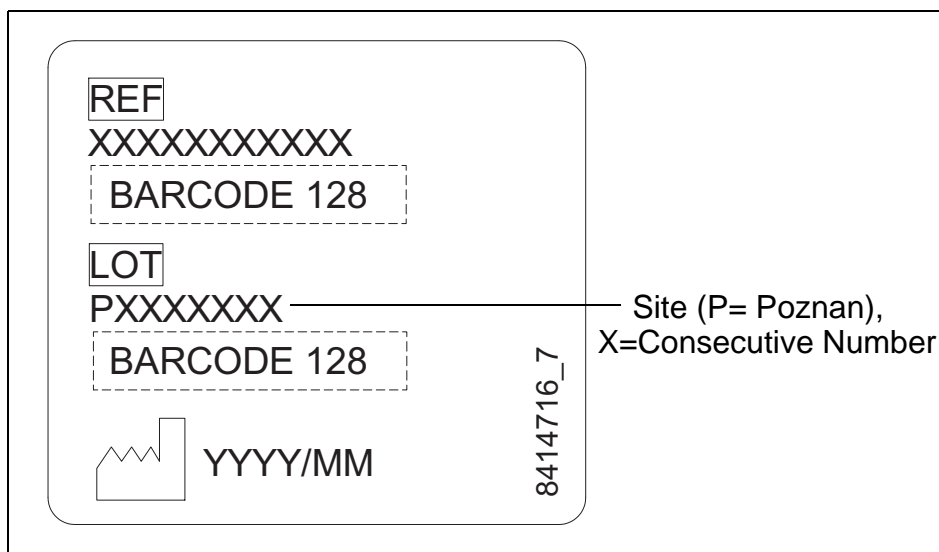
How to order

Before ordering spare parts study the exploded view closely and make sure that you note all involved spare parts.

Please note that gaskets and o-rings normally are included in kits and can not be ordered separately.

When taking contact with Arjo Spare Parts sales always have the following information at hand:

- The correct name of the product. See type label.
- The serial number of the product. See type label.

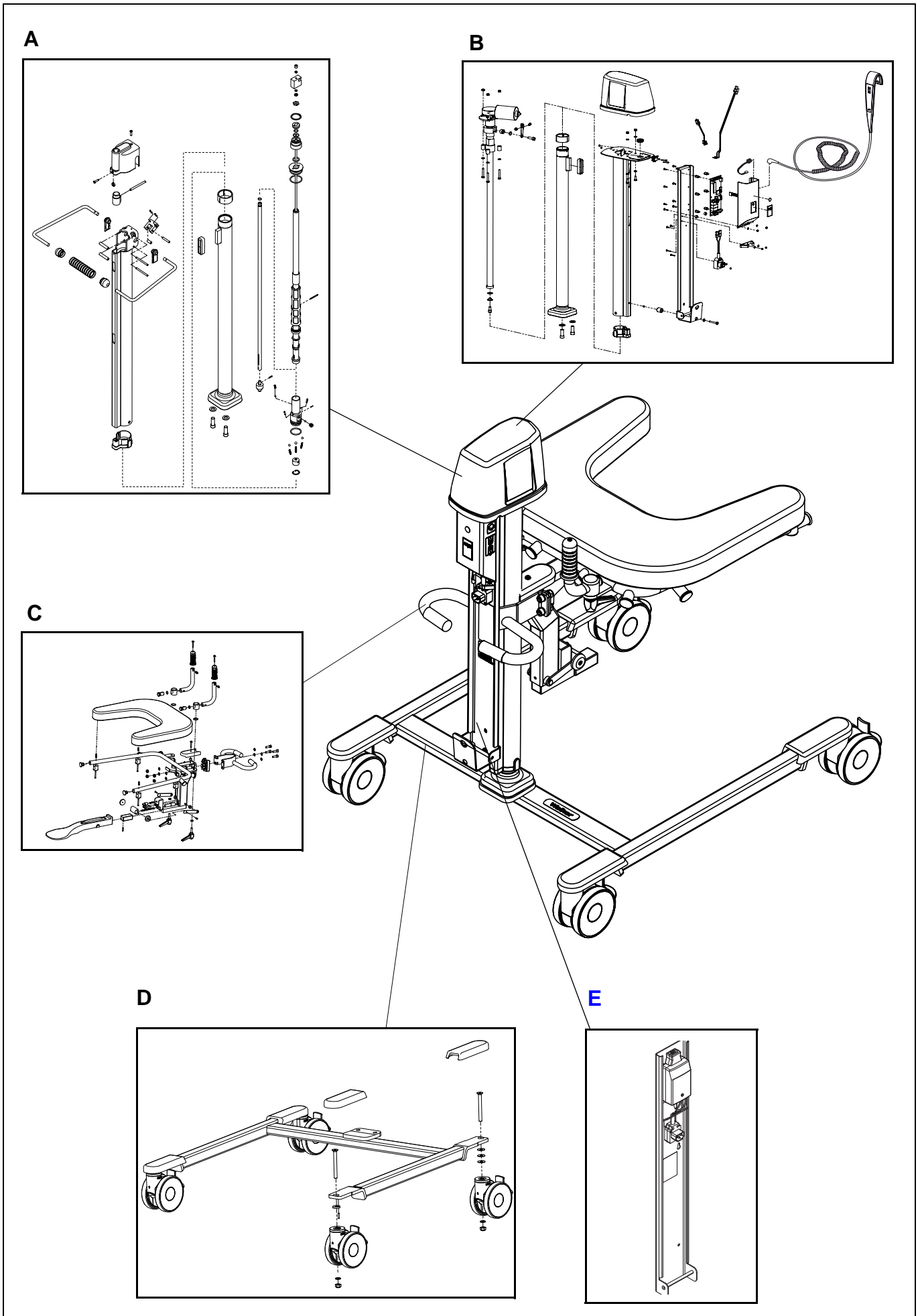


Contents

Overview	4
A Hydraulic pillar.....	6
B Electric pillar	8
C Support.....	10
D Chassis.....	12
E Battery charger	14
Preventive Maintenance Parts/Recommended Spares ...	16
Service Articles and Special Tools	17

Overview

Pos	Description	See page
A	Hydraulic pillar	6
B	Electrical pillar	8
C	Support	10
D	Wheel chassis	12
E	Battery charger	14

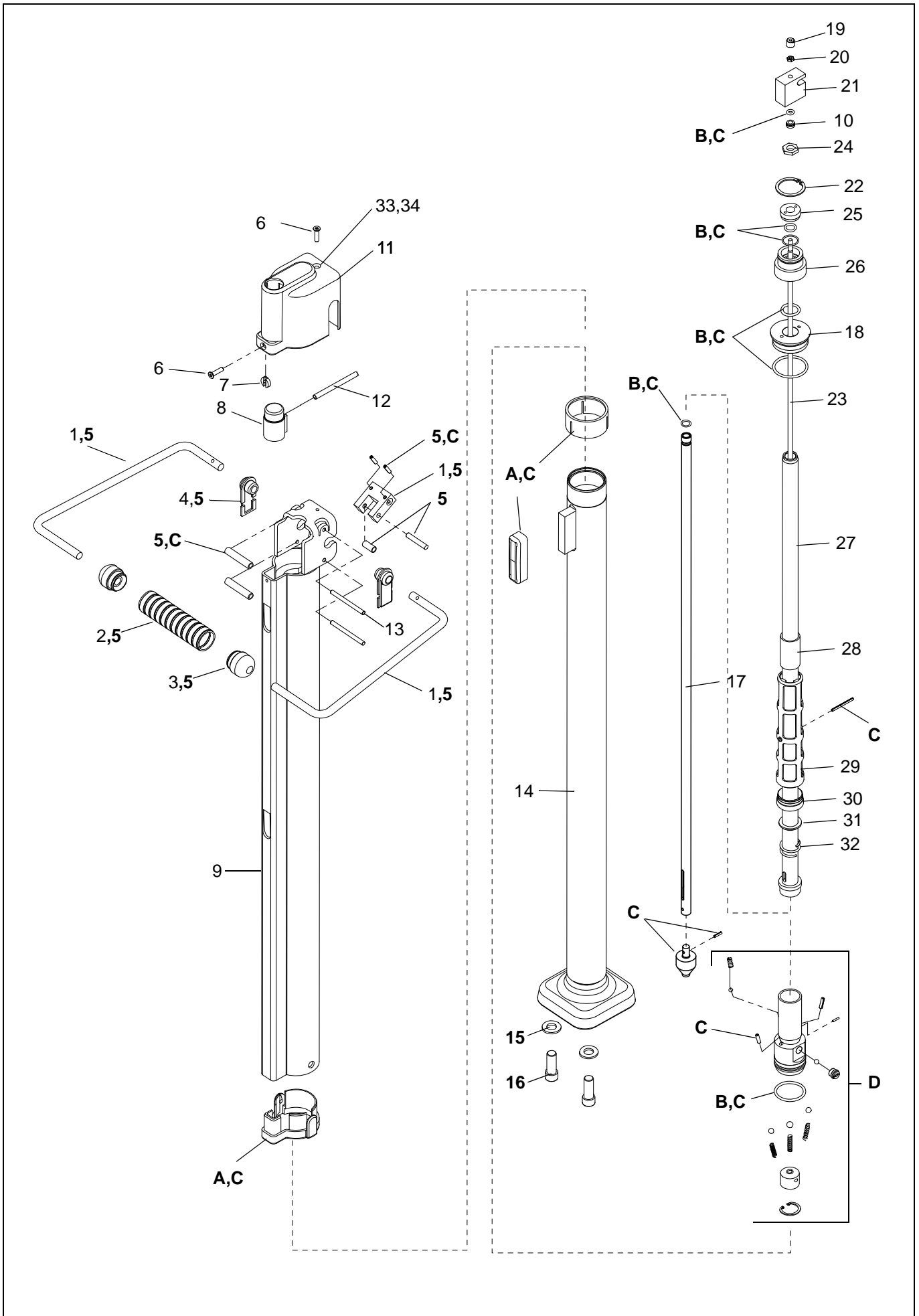


A

Hydraulic pillar

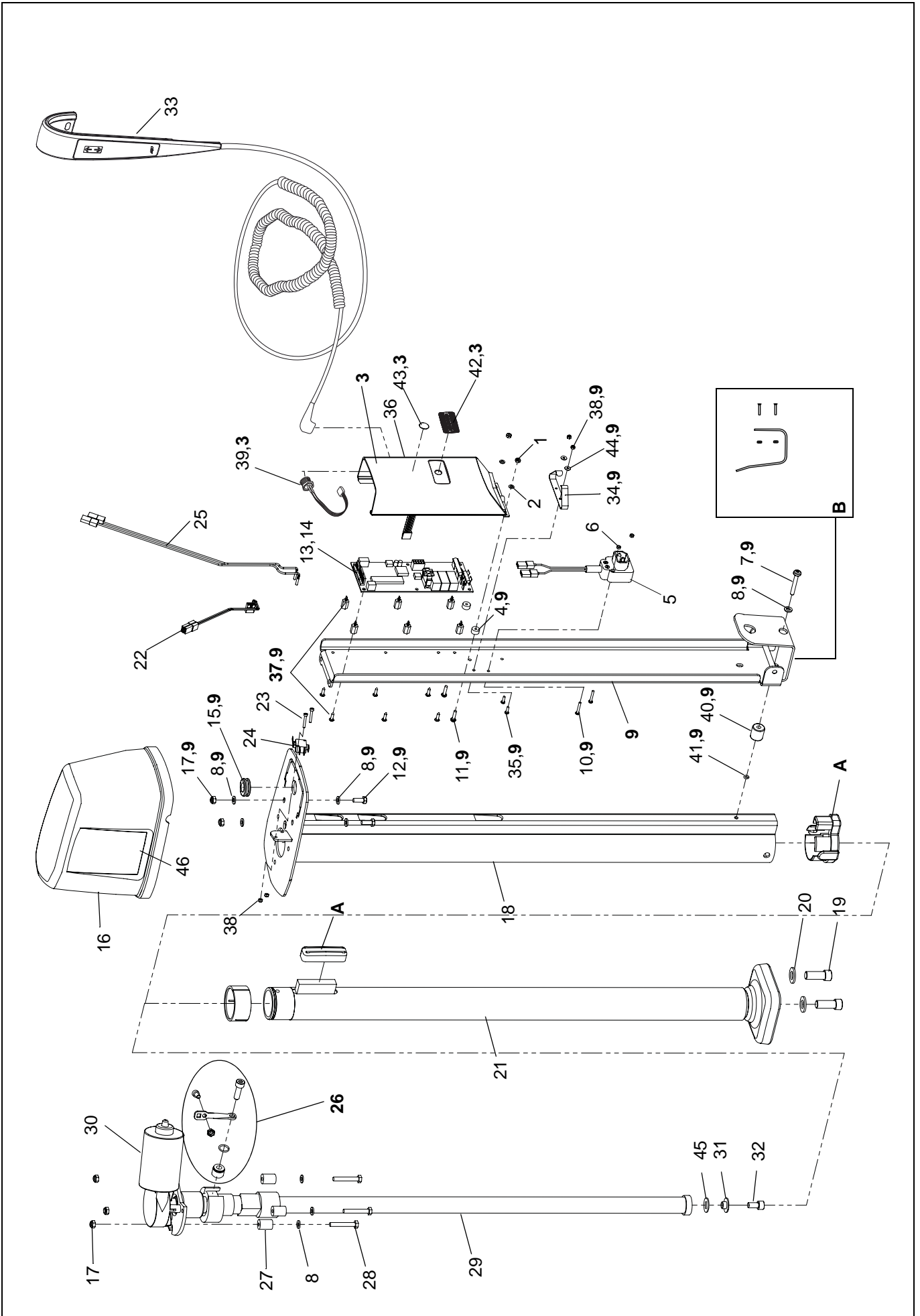
Pos	Art. No.	Qty	Description	From ser. No.	Up to ser. No.	Remarks
	S8560743-013	1	Hydraulic pillar, grey; complete			
1	8236111	1	Handle			2 handles and fork
2	8320163-013	1	Pump handle, blue			
3	8420164-013	2	Plug, blue			
4	8420234-013	2	Bushing, blue			
5	S8536113-013	1	Pump handle Dark blue, complete			
6	6190489	2	Screw A4 MFT ISO14581 M5x20-80 W			
7	8421105-013	1	Washer, blue			
8	8320247-08	1	Lowering button, orange			
9	8360938-031	1	Outer tube, grey			Last revision SEE0802407
10	8420355	1	Bushing			
11	8220248-013	1	Pillar cover, blue			New version 1307000386
12	6240672	1	Pin			
13	6240560	2	Pin			
14	8220317-031	1	Inner tube, grey			
15	6200009	2	Washer A4 BRB ISO 7089 13x24x 2.5			Not included in S8543812-013
16	6101220 6101225 6131230	2	Screw A4 M6S ISO 4017 M12x20-80 Screw A4 M6S ISO 4017 M12x25-80 Screw A4 MC6S ISO 4762 M12x30-80	SEE0648767 0912000033	SEE0648605	Not included in S8543812-013
17	8320348	1	Piston tube			
18	8420339	1	Bushing			
19	8420350	1	Adjusting nut			
20	6210062	1	Nut FZB ML6M ISO 4035 M5 - 05			
21	8320358	1	Bracket			
22	6319029	1	Circlip			
23	8420352	1	Lowering rod			
24	8420354	1	Nut			
25	8420357	1	Bushing			
26	8420356	1	Bushing			
27	8320360	1	Lifting tube			
28	8420361	1	Sleeve			
29	8306332	1	Lowering sleeve			
30	8406413	1	Ring			
31	8420349	1	Washer			
32	8420366	1	Pressure spring			
33	8418699	1	Arjo badge			
34	8618932	1	Label Walker			
A	8546539-013	1	Repair kit			
B	8540620	1	O-rings kit			
C	8540616-013	1	Repair kit			
D	8361622	1	Lifting piston, complete			SWL=136kg

A



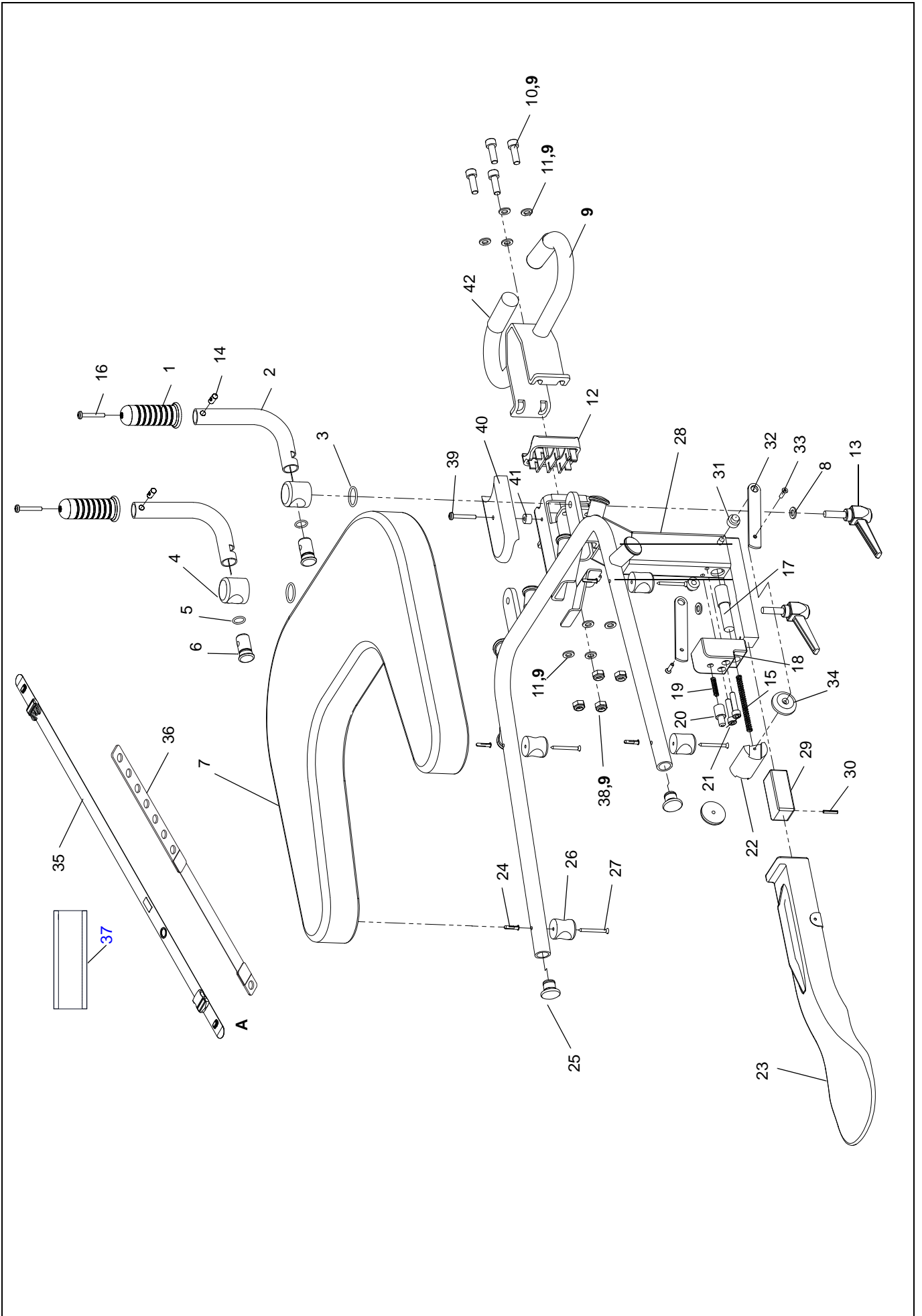
B <i>Electrical pillar</i>						
Pos	Art. No.	Qty	Description	From ser. No.	Up to ser. No.	Remarks
	S8560741-013	1	Electrical pillar grey, complete			
1	6210011	2	Nut A4 M6M ISO 4032 M4 – 80			
2	6200001	2	Washer A4 BRB ISO 7089 4.3x8x 0.8			
3	8543377-031 8560667-031	1	Cover grey, complete Cover grey, complete	0912000049		Fixed handset Detachable handset, New version 2013 for A-H badge
4	8442988	2	Spacer			
5	8442736	1	Cable for battery box			
6	6210010	2	Nut A4 M6M ISO 4032 M3 – 80			
7	6100612 6190337 6190352	1	Screw A4-M6S ISO 4017 M6 x 12–80 Screw A4–MRT-TT ISO 14583 M6x12 Screw A4–MRT-TT ISO 14583 M6x40	2005-07 0912000033	2005-06 0912000032	Screw 6100612 + Washer 6200003 No washer (Bumax) For pillar with spacer
8	6200003	8	Washer A4 BRB ISO 7089 6.4x12x1.6			
9	S8457476-031	1	Battery bracket incl. attachments			Used when replacing old bracket
10	6190298 6190528	2	Screw A2–MFX ISO 7046 M3x20–70-H Screw A2–MRX ISO 7045 M3x20-80-Z	2005-07	2005-06	
11	6190302 6190138	2	Screw A2–MFX ISO 7046 M4x16-70-H Screw A4–MRX ISO 7045 M4x16-80-Z	2005-07	2005-06	
12	6100616	2	Screw A4-M6S ISO 4017 M6x6-80			
13	6379136	1	Fuse F10AL 6,3X32mm			
14	8663771	1	PCB with fuse			New version replaces 6370620
15	6306084	1	Rubber inlet			
16	8443113-013	1	Cover, blue			
17	6210043	5	Locking nut A4 DIN 985 M6-80			
18	8260517-031	1	Outer tube, grey			3 positions
19	6101220 6101225 6131230	2	Screw A4 M6S ISO 4017 M12x20 -80 Screw A4 M6S ISO 4017 M12x25–80 Screw A4 M6S ISO 4017 M12x30–80	SEE0648767 0912000033	SEE0648605 0912000032	Not included in S8560741-013
20	6200009	2	Washer A4 BRB ISO 7089 13x24x 2.5			Not included in S8560741-013
21	8242997-031	1	Inner tube, grey			
22	8443123	1	Cable, actuator			New version nov 2008
23	6130320	2	Screw A4 MC6S ISO 4762 M3x20			(Bumax)
24	6372051	1	Micro switch			New Aug-04
25	8443122	1	Cable, micro switch			
26	8547100	1	Actuator arm, complete			Replaces old version
27	6303092	3	Sleeve			
28	6100640	3	Screw A4-M6S ISO 4014 M6x40-80			
29	6379129	1	Actuator incl. motor			
30	6907858	1	Motor			
31	8460722	1	Spacer			Fits all electrical pillars
32	6130816	1	Screw A4 MC6S ISO 4762 M8x16-80			
33	8560023 8560008	1	Hand control Hand control			Fixed Detachable
34	8461740	1	Release spring	0912000033		
35	6190117	2	Screw A4-MRX ISO 7045 M3x10-80	0912000033		
36	KRX05070.0	2	Emergency Lowering Label	0912000033		
37	8546693	1	Spacers with screws			6 pcs.
38	6210040	4	Locking nut A4 DIN 985 M3-80			
39	8359441	1	Cabling hand set	0912000033		For new cover
40	8460378	1	Spacer	0912000033		
41	6260003	1	O-ring	0912000033		
42	8418700	1	Arjo badge			
43	8418741	1	Warning sign			
44	6200175	2	Washer A4-RBS ISO 7093 3.2x9x0.8			
45	6907962	1	Rubber washer			
46	8618807	2	Label Walker			
A	8546539-013	1	Repair kit			
B	8545900		Safety bracket kit		2005-06	For old bracket only

B



<i>C Support</i>						
Pos	Art. No.	Qty	Description	From ser. No.	Up to ser. No.	Remarks
1	8320236-013	2	Handle, blue			
2	8461330-031	2	Handle bar, grey			
3	6260049	2	O-ring			
4	8421135	2	Bushing			
5	6260039	2	O-ring			
6	8421134	2	Locking plug			
7	8121733-034	1	Support, grey			
8	6200007	2	Washer A4 BRB ISO 7089 10.5x20x2			
9	8320916-031 S8560459-031	1	Clamp, grey Clamp, complete	0912000033	0912000032	Without handle Including screws, washers, nuts
10	6131030 6131031	4 4	Screw A4 MC6S ISO 4762 M10x30-80 Screw A4 MC6S ISO 4762 M10x30-80W	0912000033	0912000032	Treated with wax
11	6200006 6200007	4 8	Washer A4 BRB ISO 7089 10x18x2 Washer A4 BRB ISO 7089 10.5x20x2	0912000033	0912000032	-200HV
12	8321725-03 8360379-013	1	Plug, grey Plug blue	0912000033	0912000032	For clamp 8320916-031 For clamp 8560459-031
13	6307042	2	Locking lever			
14	8421846	1	Cotter			
15	8421137	1	Spring			
16	6190454	2	Screw A2-MFX ISO 7046 M5x25-70-Z			
17	8421124	1	Ejector			
18	8431049	1	Locking head			
19	6305030	1	Spring			
20	8431048	1	Faucet			
21	6130835	2	Screw A4 MC6S ISO 4762 M8x35-80			
22	8421127	1	Catch			
23	8451307-034	1	Spade seat, grey			
24	6316016	4	Plug			
25	8421410	2	Plug			
26	8421735	4	Spacer			
27	6190072	4	Screw MSG TKFS DIN 95 10x2			
28	8221738-031 8260875-031	1	Frame, grey Frame, grey	0912000033	0912000032	
29	8406202	1	Cover			
30	6220424	1	Tension pin			
31	8421125	2	Bushing			
32	8421126-031	2	Bar, grey			
33	6190489	2	Screw A4MFT ISO14581 M5x20-80 W			
34	8421128	2	Washer			
35	S8662105-03	1	Safety belt, grey			In production 1207000556.
36	8361665-031	2	Support strap, grey			New version July 2013
37	8341700-04	1	Padding			New version February 2019
38	6210045	1	Locking nut A4 DIN 985 M10	0912000033		
39	6190352	1	Screw	0912000033		
40	8461534-013	1	Cover, blue	0912000033		
41	8461538	1	Spacer	0912000033		
42	6307138	2	Handle			70mm
A	GCA0010-031		Accessory kit, grey			

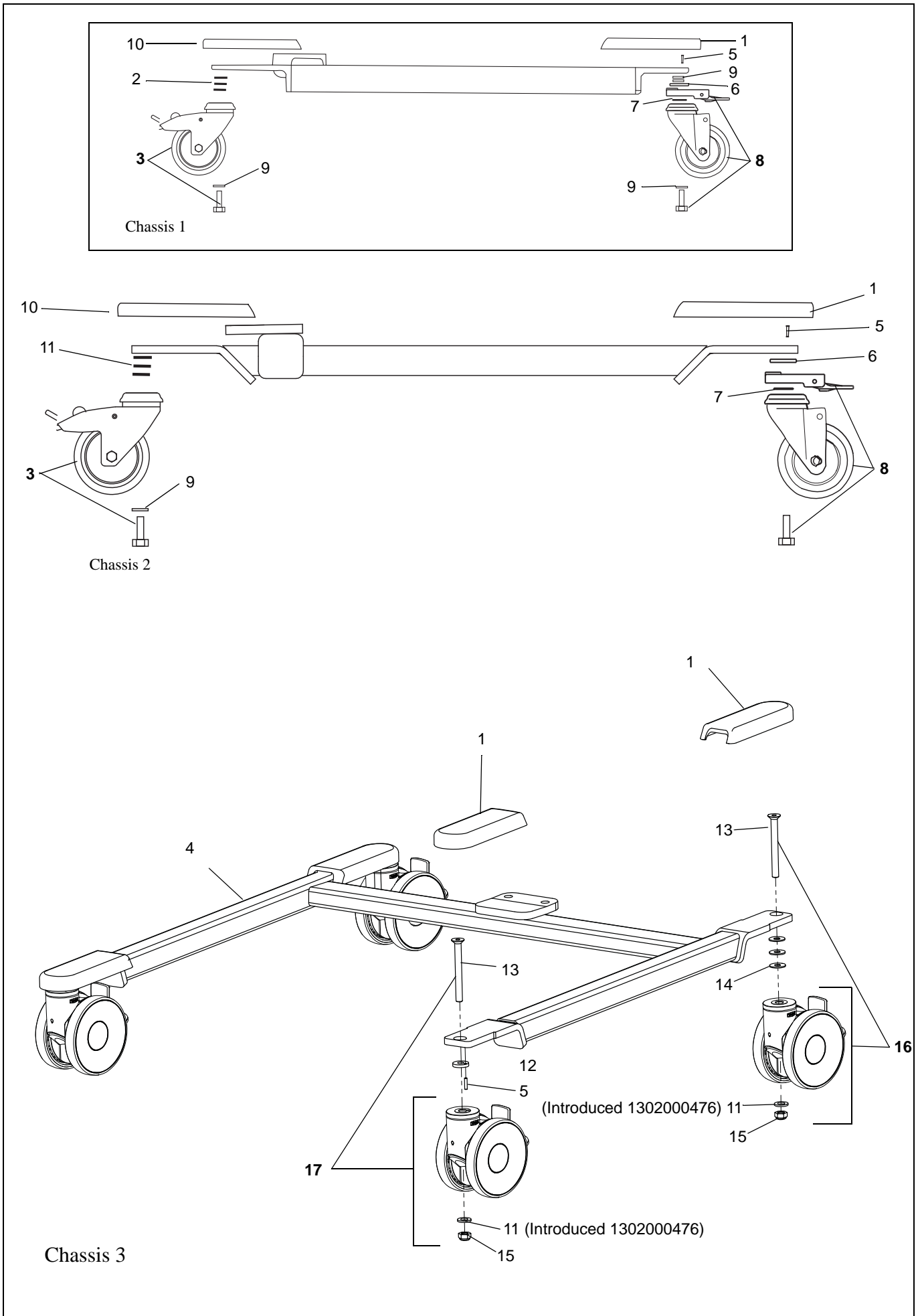
C



D**Chassis**

Pos	Art. No.	Qty	Description	From ser. No.	Up to ser. No.	Remarks
	S8561087-013		Chassis complete			New chassis replaces old, incl. screw and washer for pillar attachment
1	8336630-013 8342982-013	2	Cover, blue	SEE0648767	SEE0648605	
2	6200020	6	Washer FZB BRB ISO 7089 13x24x2.5		SEE0648605	Chassis 1
3	8546848	2	Wheel kit with brake		0912000032	Incl. screw
4	8261055-031	1	Chassis, grey	0912000033		Chassis 3
5	6220518 8524024	2	Spring tubular pin Tension pin			Chassis 1 Chassis 2,3
6	8421469 8451407	2	Washer	SEE0648767	SEE0648605	Chassis 1 Chassis 2
7	6320003	2	Plate spring 12,2/25x1 rfr			
8	8546908	2	Wheel kit straight steering		0912000032	Incl. screws
9	6200018	8 2	Washer FZB BRB ISO 7089 10.5x22x2 -300HV	SEE0648767	SEE0648605	Chassis 1 Chassis 2
10	8235928-013 8461085-013	2	Cover for straight steering, blue	0912000033	0912000032	
11	6200105	6/4	Washer NB 10x25 fzb	SEE0648767		Chassis 2 =6 pcs. Chassis 3 =4 pcs
12	8461524	2	Washer straight steering			Chassis 3
13	6151090	4	Screw FZBMF6S ISO 10642 M10x90-10.9	0912000033		Chassis 3
14	6200105	12	Washer NB 10x25 fzb	0912000033		Chassis 3
15	6210045	4	Locking nut A4 DIN 985 M10	0912000033		Chassis 3
16	8547062	2	Castor kit brake Ø125mm	0912000033		Chassis 3
17	8547063 8547112	2	Castor kit straight steering Ø125mm Castor kit straight s.+brake Ø125mm	0912000033 1207000556		Chassis 3

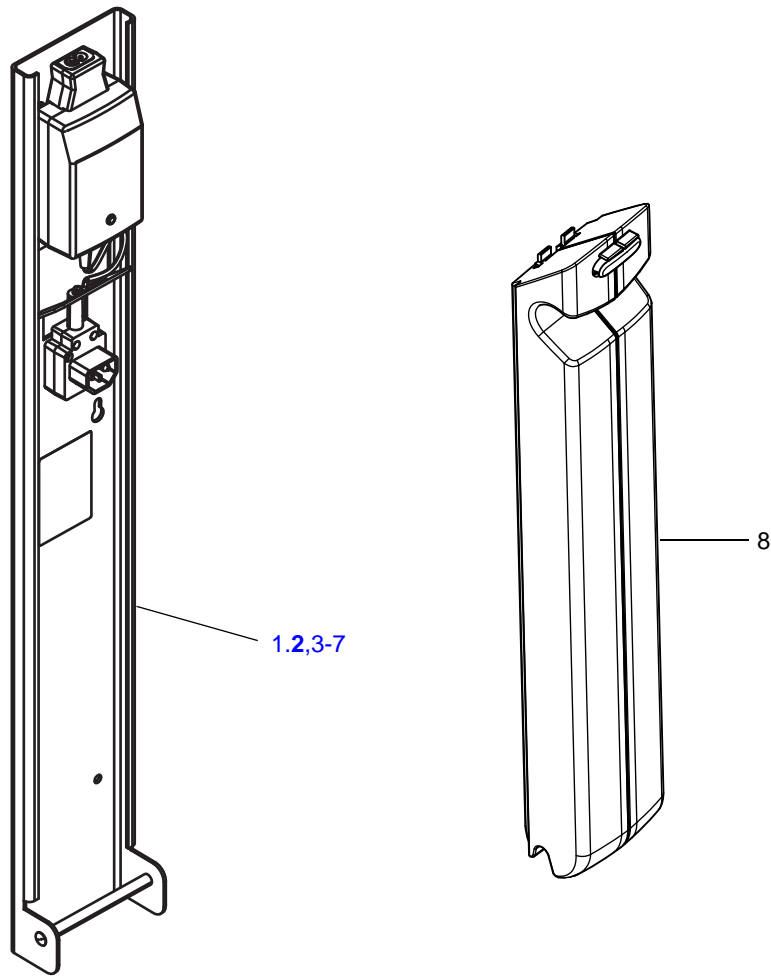
D



E**Battery charger**

Pos	Art. No.	Qty	Description	From ser. No.	Up to ser. No.	Remarks
1	NDA8200	1	Battery Charger			No Cable included
2	NDA8200-INT	1	Battery Charger with Cable			Cable for EU,US,GB and AU incl.
3	HMX468	1	Battery Charger Cable US/Japan			
4	HMX469	1	Battery Charger Cable UK			
5	HMX458	1	Battery Charger Cable EU			
6	HMX1475	1	Battery Charger Cable Brazil			
7	HMX428	1	Battery Charger Cable Australia			
8	NDA0100-03	1	Battery 24V 4Ah, grey			

E



Walker

Preventive Maintenance Parts/Recommended Spares

Preventive Maintenance Parts	Part number	Number of Walker		Page
		1	5	
Wheel with brake incl. screw (up to 0912000032)	8546848	2	10	D:3
Wheel straight steering incl. screw (up to 0912000032)	8546908	2	10	D:8
Castor kit Ø125mm, brake (from 0912000033)	8547062	2	10	D:17
Castor kit Ø125mm, straight steering (from 0912000033-1207000555)	8547063	2	10	D:18
Castor kit Ø125mm, straight steering w brake (from 1207000556)	8547112	2	10	D:18
Safety belt	S8662105-03	1	5	C:35

Recommended Spares	Part number	Number of Walker		Page
		1	5	
Hydraulic pillar				
Lifting piston, complete SWL 136kg	8361622	1	1	A:D
O-rings kit B	8540620	1	3	A:B
Repair kit A	8546539-013	1	3	A:A
Repair kit C	8540616-013	1	3	A:C
Support strap, grey	8361665-031	1	2	C:36
Electric pillar				
Actuator	6379129	1	2	B:29
Battery	NDA0100-03	1	1	E:8
Fuse F10AL	6379136	1	2	B:13
Hand control Hand control for new cover	8560023 8560008	1	1	B:33
Motor	6907858	1	2	B:30
PCB	8663771	1	1	B:14
Repair kit A	8546539-013	1	3	A:A
Support strap, grey	8361665-031	1	2	C:36

Walker

Service Articles and Special Tools

Service Articles	Type	Quantity	Part number
Shell Cassida RLS2	Lubrication	400ml cartridge	6907792
Loctite 243	Locking	10ml	6950607
Essve 193	Sanitary silicone	310ml, cartridge	6950624
Touch-up paint	Grey	20ml	6951007-031

Special Tools	Part number
Battery Condition Tester (Electric version)	8662950
Spare Part bulb for 8662950	S6311425
Logger	8559816
PCB detacher	8453102
Test Rig for Electric Charger	8438422

At Arjo, we are committed to improving the everyday lives of people affected by reduced mobility and age-related health challenges. With products and solutions that ensure ergonomic patient handling, personal hygiene, disinfection, diagnostics, and the effective prevention of pressure ulcers and venous thromboembolism, we help professionals across care environments to continually raise the standard of safe and dignified care. Everything we do, we do with people in mind.



ArjoHuntleigh AB
Hans Michelsensgatan 10
211 20 Malmö, Sweden
www.arjo.com

arjo