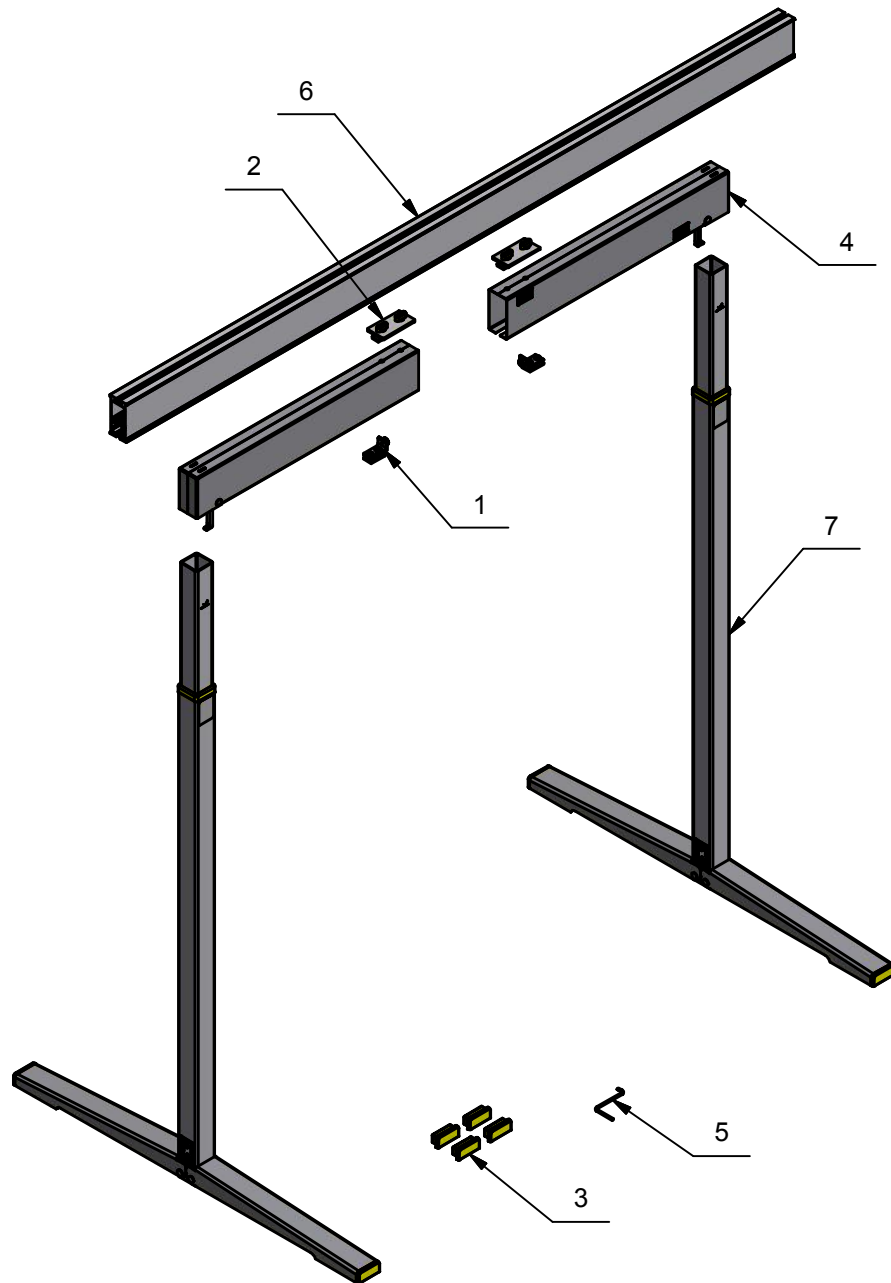
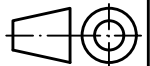


Free-standing single rail system  
552783\_SparePart\_3  
Guldmann 02.12.2015



7	2	Vertical pole free standing system, single rail	553070
6	1	Rail B, L=2500 mm (553000)	553063
6	1	Rail B, L=3000 mm (556297)	556500
6	1	Rail B, L=2000 mm (556000)	556296
5	1	Hex key - spare part	552782
4	2	Top Bracket free standing system - spare part	552781
3	1	Knob for legs, spare part	551117
2	2	Wing knob set free standing system – spare part	551116
1	2	Endestop	12330
Pos no.	Quantity	Part	Drawing/Item no.
Tolerance:		Surface treatment:	
Material:		Colour:	Weight [Kg]:
Designed by:	Drawing by: le	Date: 02-12-2015	Scale:
<b>Guldmann</b> <sup>™</sup> <small>Confidential: Property of V. Guldmann A/S. Not to be handed over to, copied or used by third party.</small>		Product: Free Standing Rail System	Sheet: A4
		Part: Free-standing single rail system	Change no.:
		Drawing no.: 552783_SparePart	Edition: 3



V. Guldmann A/S  
Graham Bells Vej 21-23A  
DK-8200 Århus N  
Tel. +45 8741 3151  
Fax +45 8741 3131  
E-mail: info@guldmann.com  
WWW.guldmann.com