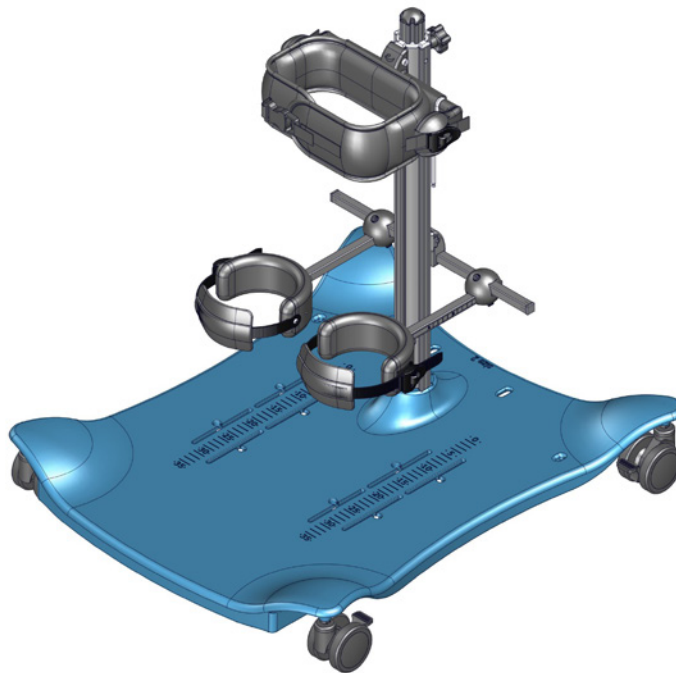


meerkat

Exploded views / Part lists

Rev. date (01.2021)

On the following pages you will find the parts used to assemble this product. Please note that some spare parts cannot be purchased individually but are part of a complete kit. Please also note that for some spare parts extra delivery time may occur.



Contents

Meerkat

Base Assembly3

Column Assembly 4 - 5

Meerkat Accessories

Chest Support.....6

Hip Support.....7

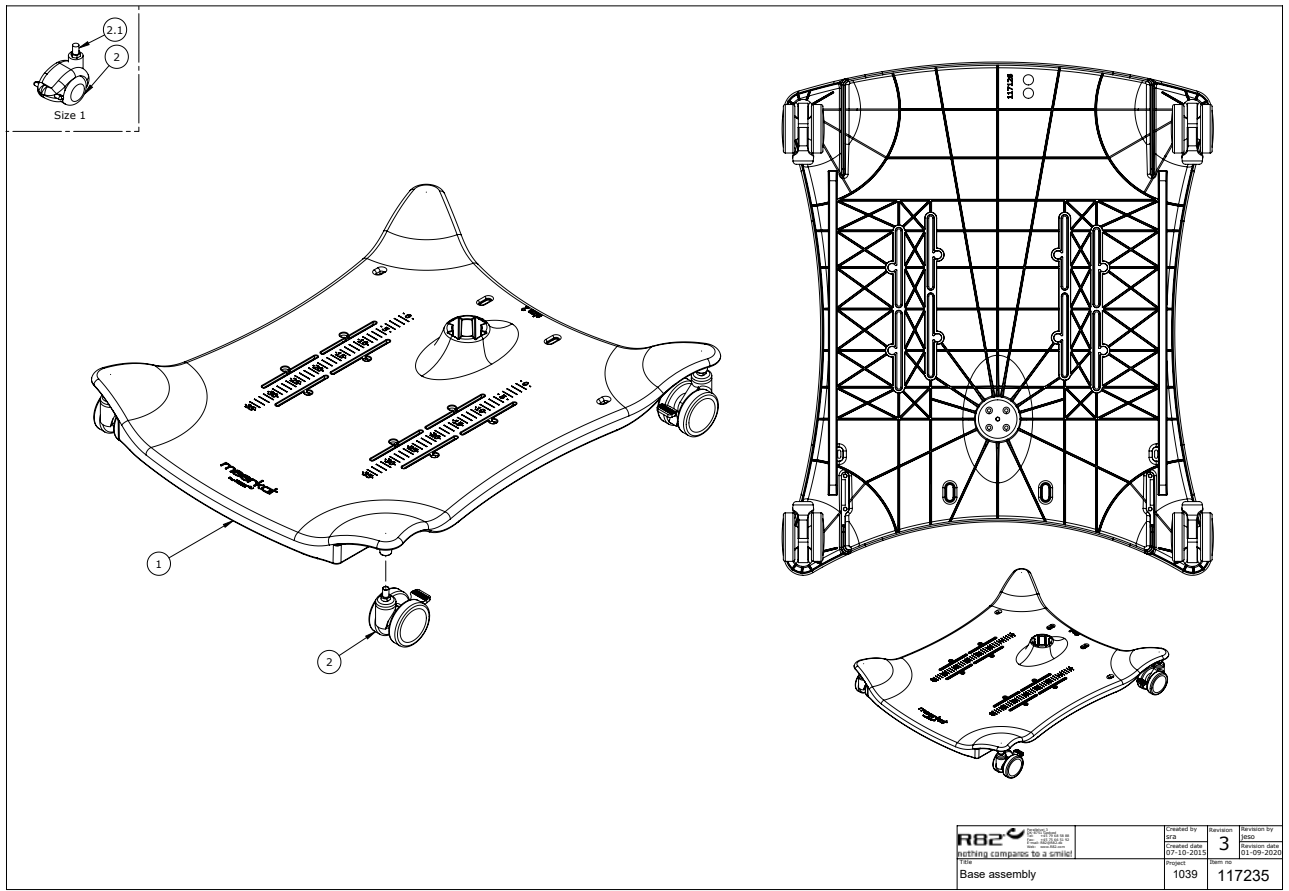
Knee Supports size 18

Knee Supports size 2-39

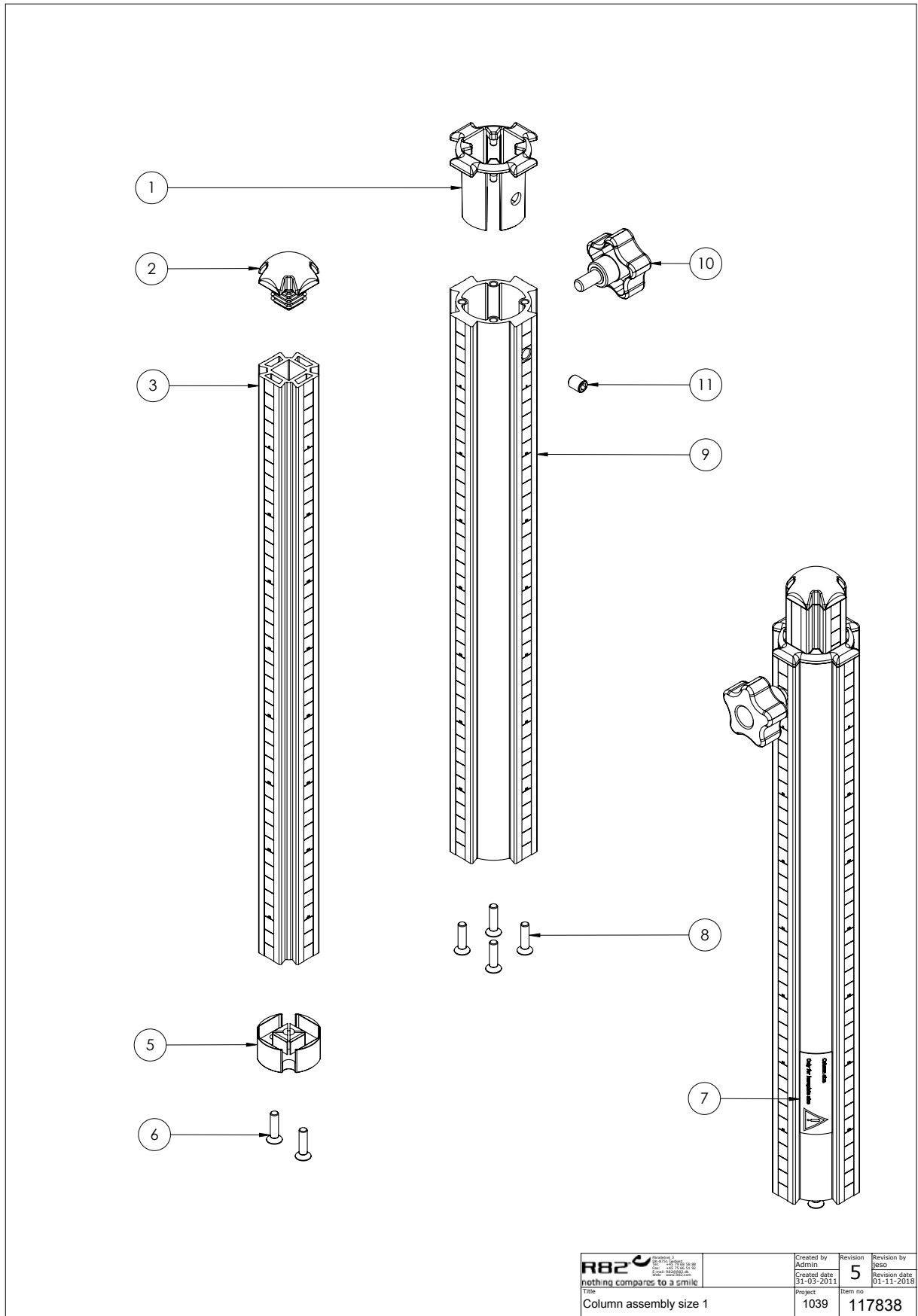
Sandals 10

Rocker 11

Extension Kit..... 12



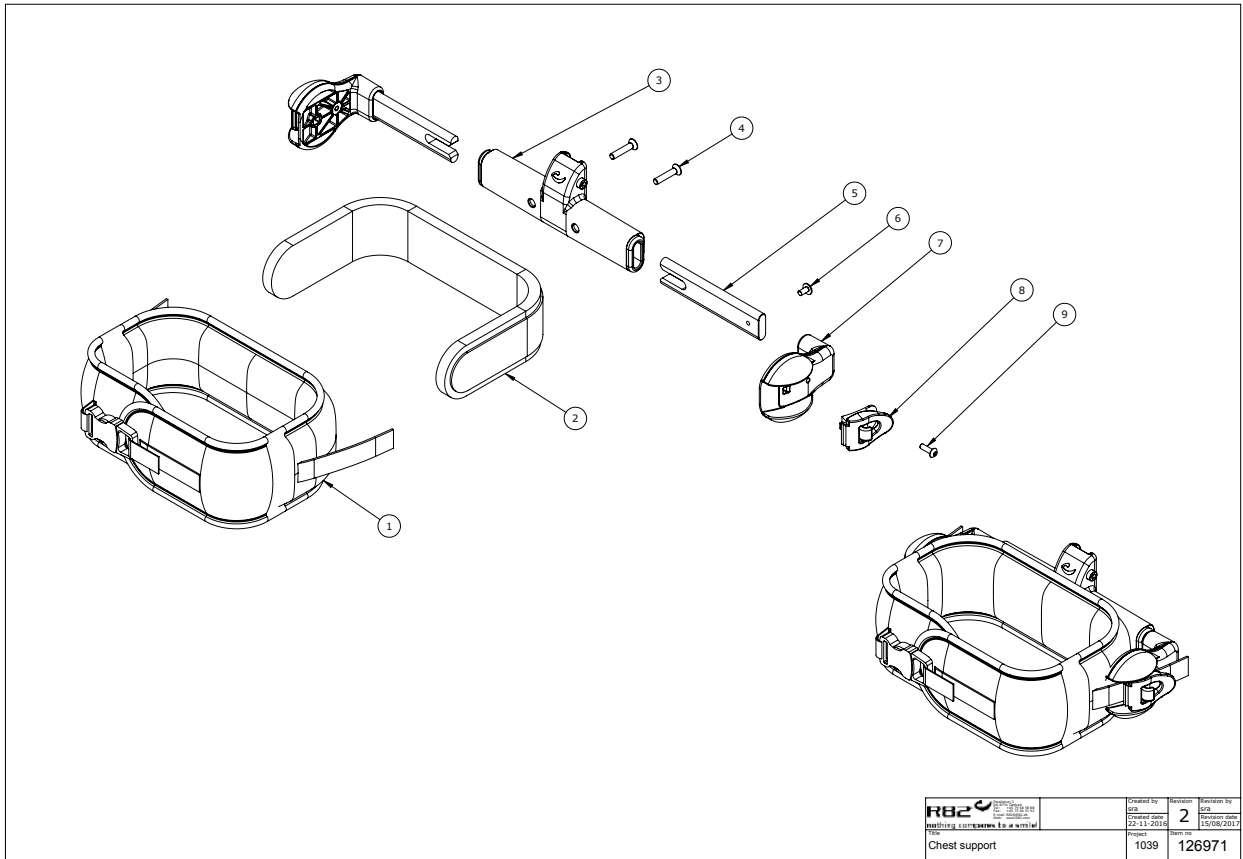
Position	No.	Description	Quantity	Unit of Measure	Ean code
2	3006820	75mm wheel w/brake, black	4	PCS	5707292371393
2	3035000	Wheel - plane - colour grey	4	PCS	5707292790019
2	3035010	Wheel Cow - white	4	PCS	5707292790026




 nothing compares to a smile Title	Created by Admin	Revision 5	Revision by jeso
	Created date 31-03-2011	Revision date 01-11-2018	Item no.
Column assembly size 1	Project 1039	Item no. 117838	

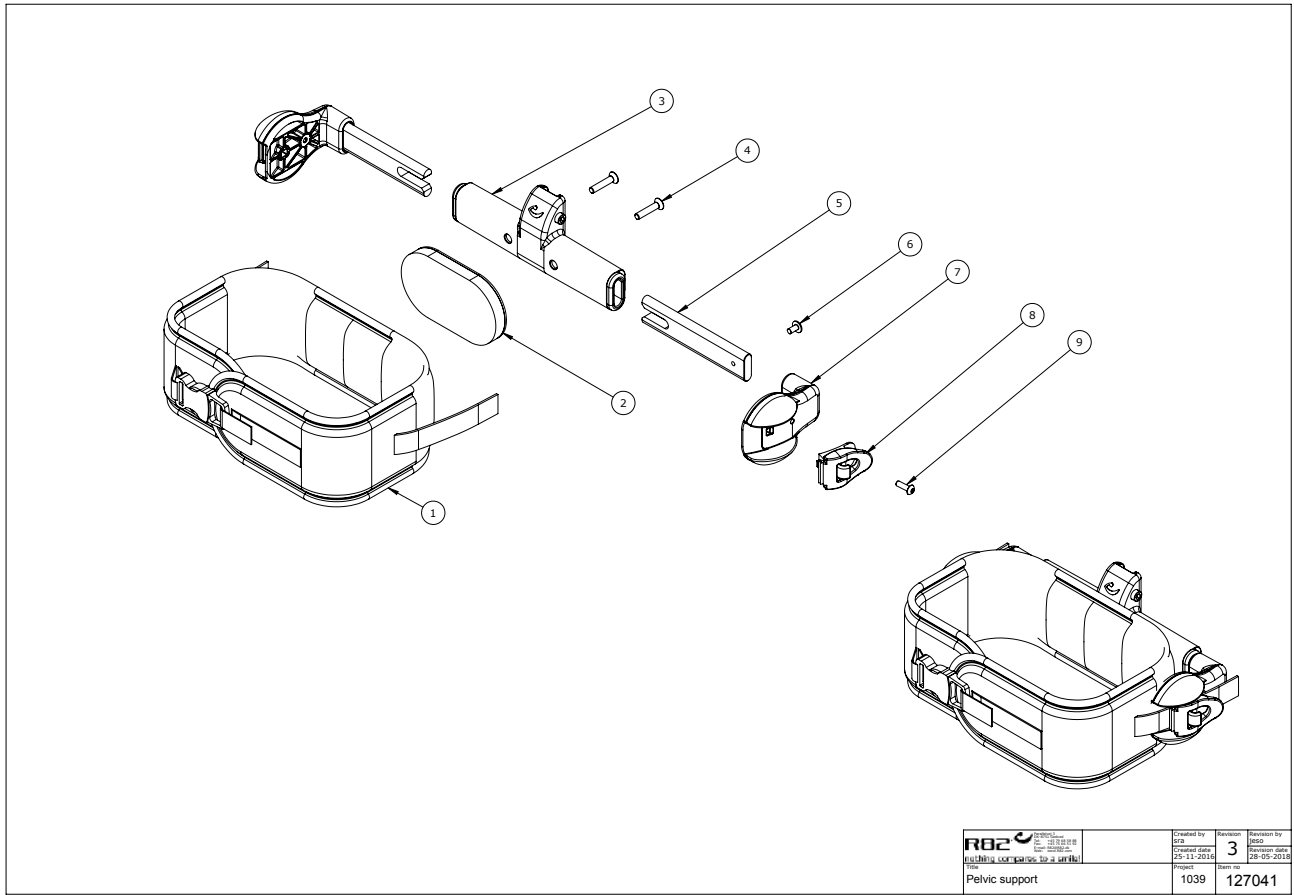
C:\PDM\Projects\1039\Column\117838

Position	No.	Description	Quantity	Unit of Measure	Ean code
7	0494602	Etiket Column size 2 Meerkat	1	STK	5707292793706
7	0494603	Etiket Column size 3 Meerkat	1	STK	5707292793713
7	0494601	Etiket Column size 1 Meerkat	1	STK	5707292793690



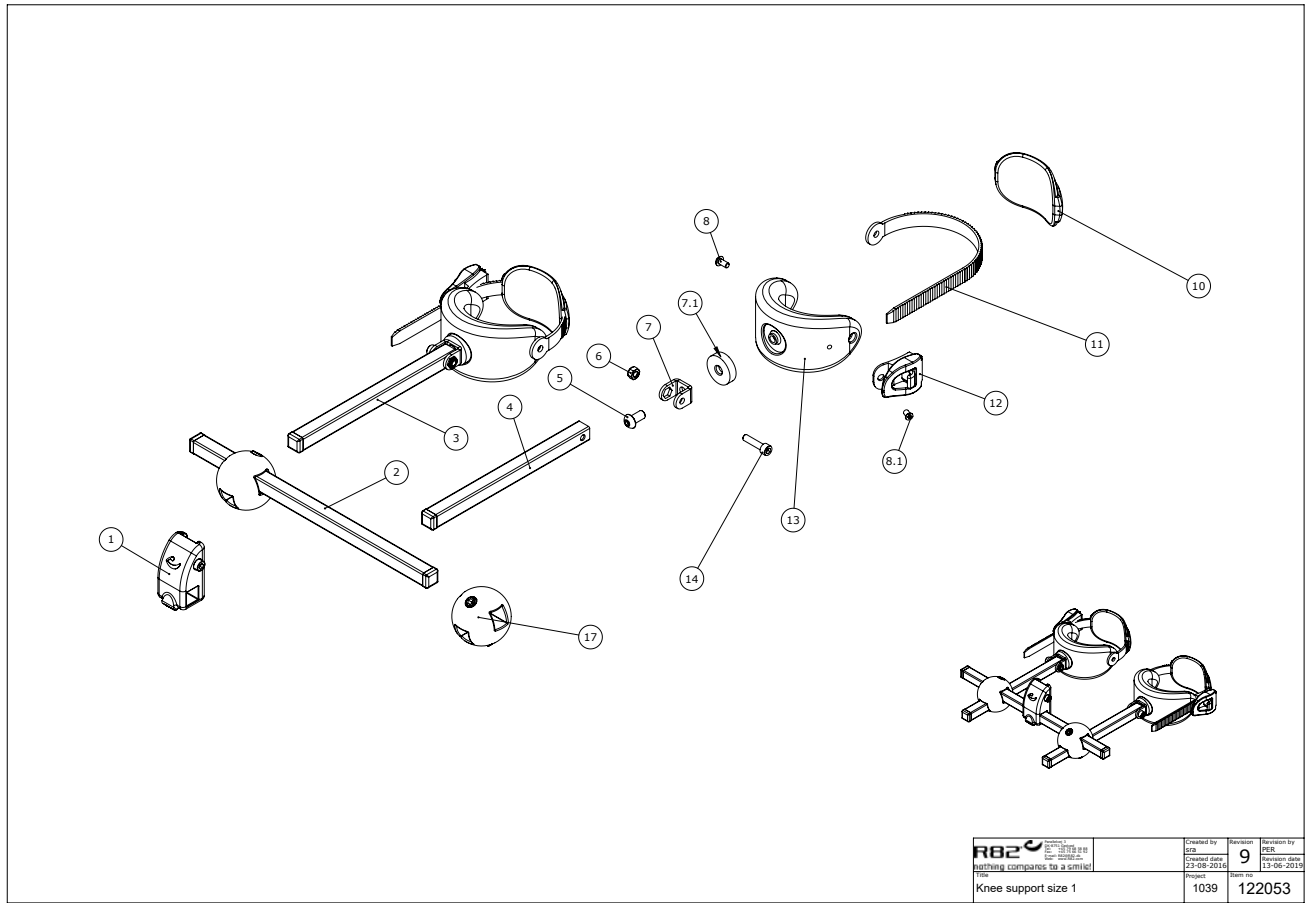
 R82 A/S Parallelvej 3 8751 Gedved Denmark	Created by	SA	Revised by	SA
	Created date	22-11-2016	Revised date	15/08/2017
Part No.		1039	Quantity	2
Description		Chest support		
		1039	Quantity	126971

Position	No.	Description	Quantity	Unit of Measure	Ean code
1+2	869480-1	Belt, chest support sz. small	1	PCS	5707292796530
1+2	869481-1	Belt, chest support sz.medium	1	PCS	5707292797230
1+2	869482-1	Belt, chest support sz.large	1	PCS	5707292797247
6	0640913	Button head/flange M5*10 FZB	2	PCS	5707292558985
7	121395	Hip strap mounting bracket	2	PCS	5707292780140
8	0454005	Buckle 24mm, black	2	PCS	5707292786425
9	1102780	Phillips screw	2	PCS	5707292800183



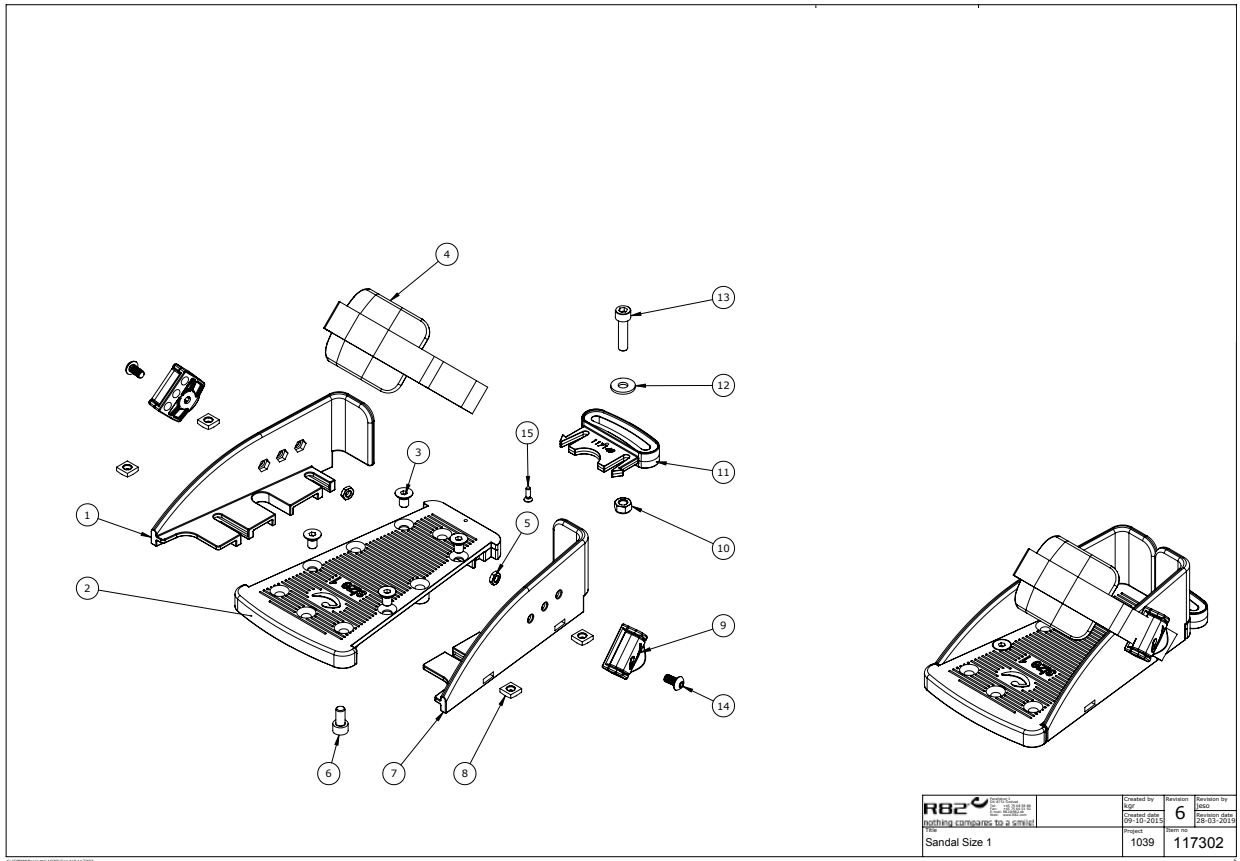
 R82 A/S Parallelvej 3 8751 Gedved Denmark	Created by	Revision
	1039	3
	Created date	Revision date
	20-11-2016	28-05-2016
	Project	Item no.
Pelvic support	1039	127041

Position	No.	Description	Quantity	Unit of Measure	Ean code
1+2	869240-1	Belt, hip support sz. small	1	PCS	5707292797254
1+2	869241-1	Belt, hipsupport sz. medium	1	PCS	5707292797261
1+2	869242-1	Belt, hipsupport sz. large	1	PCS	5707292797278
6	0640913	Button head/flange M5*10 FZB	2	PCS	5707292558985
7	121395	Hip strap mounting bracket	2	PCS	5707292780140
8	0454005	Buckle 24mm, black	2	PCS	5707292786425
9	1102780	Phillips screw	2	PCS	5707292800183

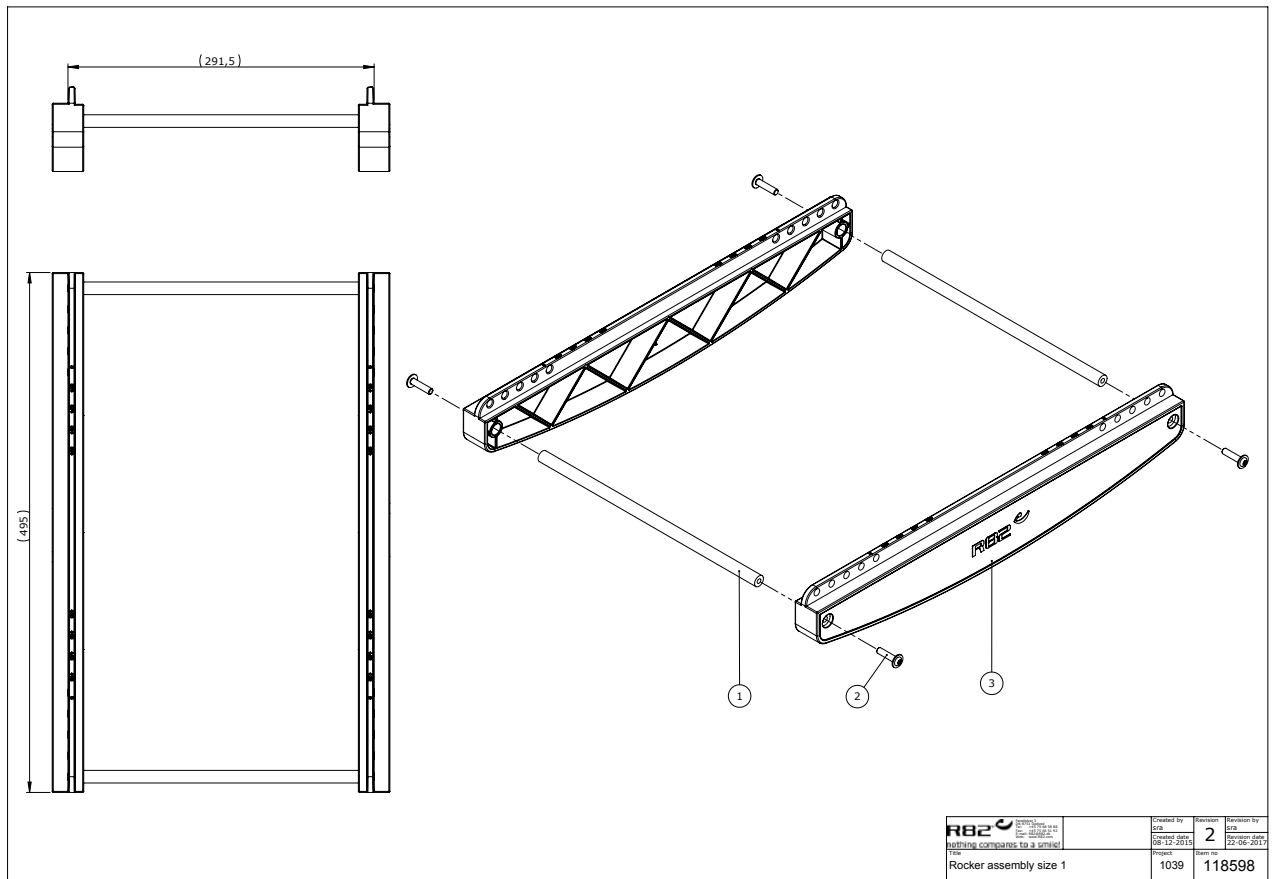


 nothing compares to a smile! R82	Created by	Revision	Approved by
	gra	9	PER
Created date 23-08-2016		Release date 13-08-2016	
Project Knee support size 1		1039	122053

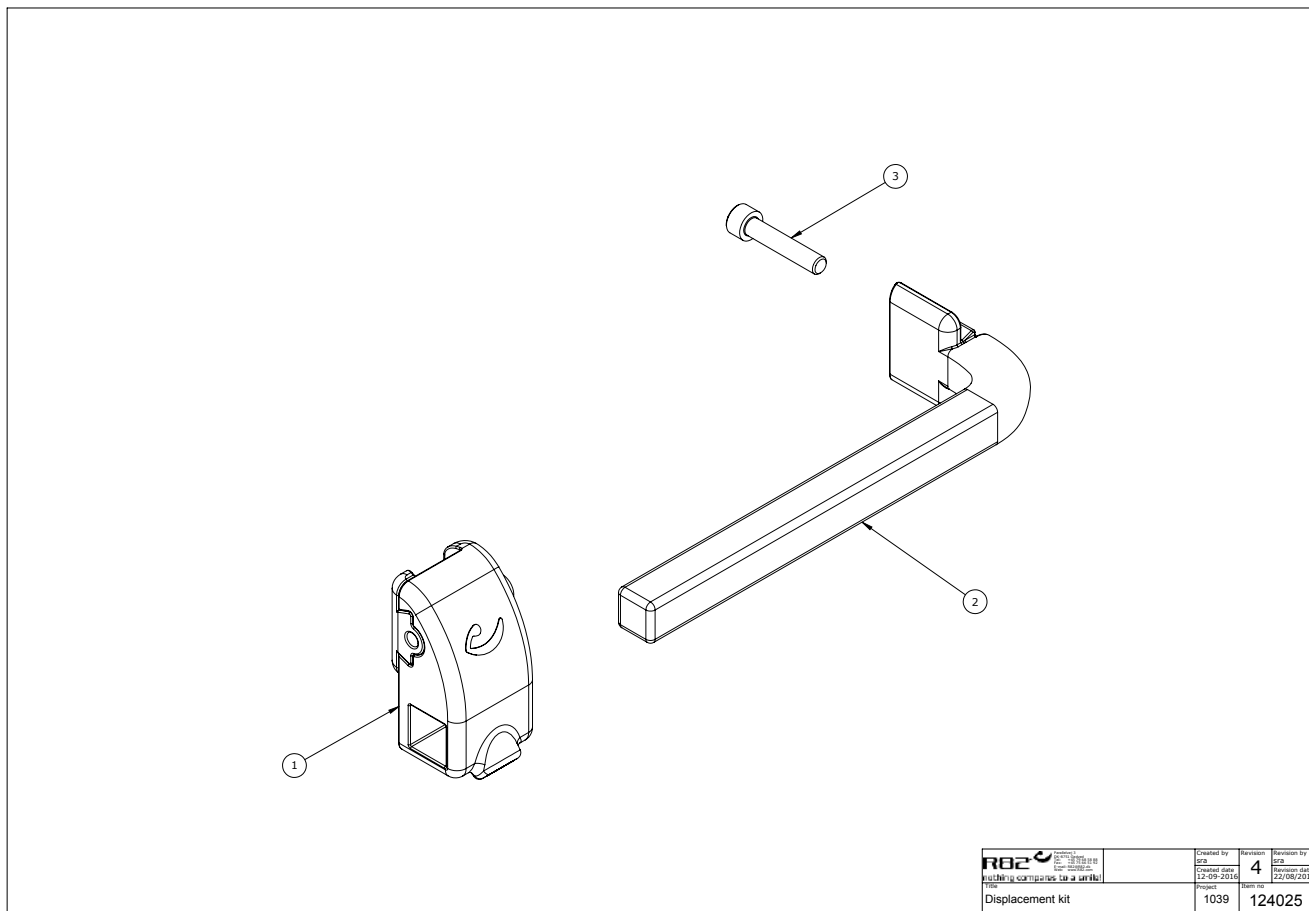
Position	No.	Description	Quantity	Unit of Measure	Ean code
1	117832	Column mount complete	1	PCS	5707292779885
8	0641000	Button head screw 6*10	2	PCS	5707292139238
8.1	1102781	UH screw	2	PCS	5707292836465
10	127068	Knee pad size 1	2	PCS	5707292783431
11	0454010	Strap/ratchet 19*350mm, black	2	PCS	5707292786456
12	0454000-1	Buckle 19mm, black bucket	2	PCS	5707292915436
13	135310	Knee support cup size S	2	PCS	5707292829290



Position	No.	Description	Quantity	Unit of Measure	Ean code
4	127085	Foot strap size 1+2	2	PCS	5707292783585
4	127086	Strap size 3	2	PCS	5707292783424

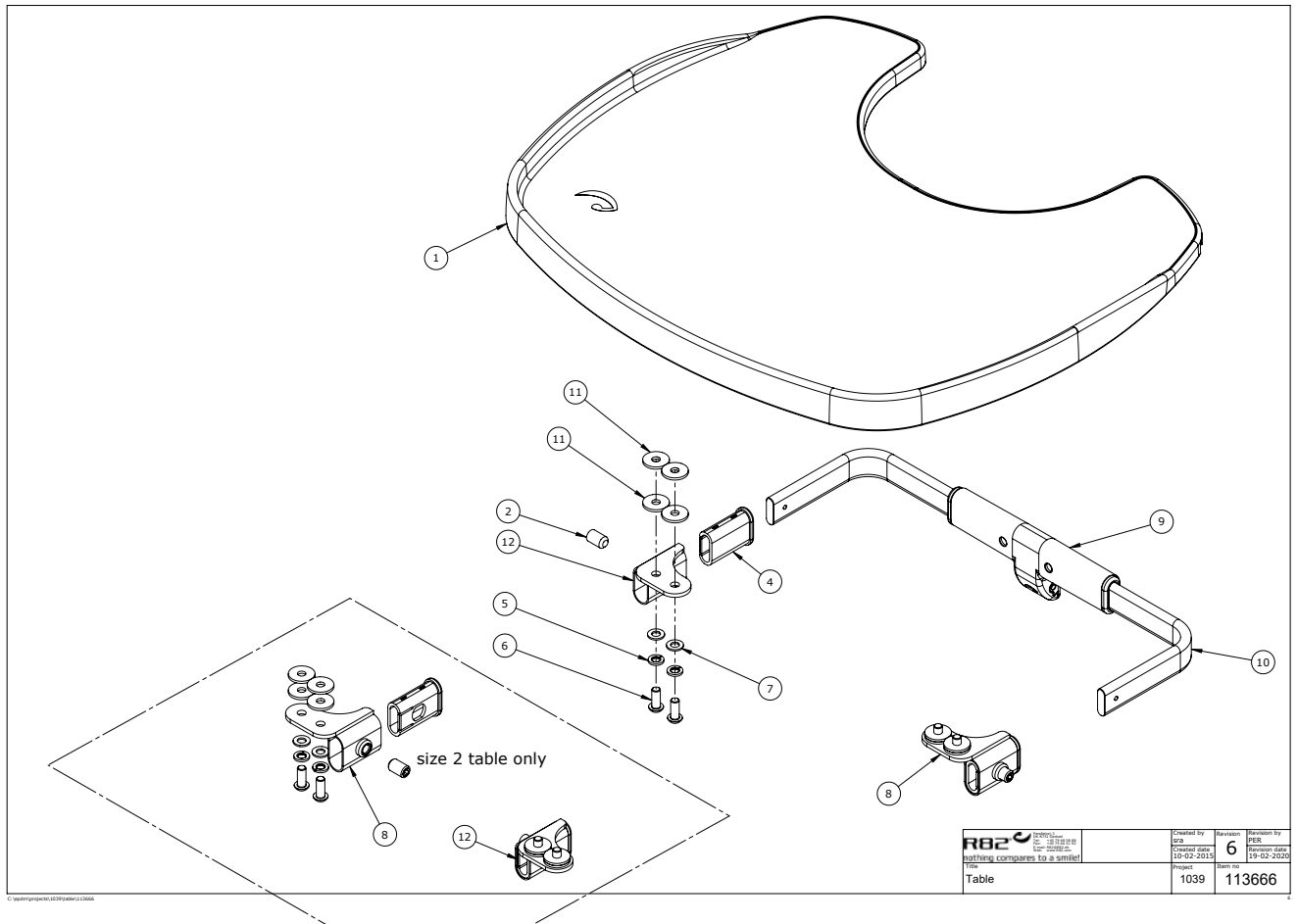


Position	No.	Description	Quantity	Unit of Measure	Ean code
1	117049	Rocker frame cross bar size 2	2	PCS	5707292780003
1	118599	Rocker frame cross bar size 1	2	PCS	5707292779991
2	0641621	Button head w/flange M6*20 FZB	4	PCS	5707292360960
3	117048	Rocker size 2	2	PCS	5707292779984
3	118717	Rocker Size 1	2	PCS	5707292779977



 R82 A/S Building companies to a service	Created by	Revision	Revision by
	12-09-2016	4	24/06/2017
Displacement kit	Project 1039	Item no 124025	

Position	No.	Description	Quantity	Unit of Measure	Ean code
1	117832	Column mount complete	1	PCS	5707292779885



R82 R82 A/S R82 A/S R82 A/S R82 A/S	Created by JBA	Revision 6	Revision by JBA
Nothing compares to a smile!	Created date 10-02-2015	Revision date 19-02-2016	
Title Table	Project 1039	Item no. 113666	

Position	No.	Description	Quantity	Unit of Measure	Ean code
1	75362	Table size 2	1	PCS	5707292456298
1	75361	Table size 1	1	PCS	5707292455994
2	0701010	Set screw M10*10 w/flat end	2	PCS	5707292434098
4	112630	Bush for Hip support	2	PCS	5707292593405
5	1101000	Center spring washer 8mm	4	PCS	5707292140173
6	0662000	Button head screw 8*20 stainl.	4	PCS	5707292139573
7	1103200	Fazet washer 8mm	4	PCS	5707292140296
8	117898	Table Bracket right	1	PCS	5707292780256
9	117819	Column clamp size 2-3	1	PCS	5707292780133
10	117901-1	Arm for table bracket	2	PCS	5707292874719
11	1310705	Nylon washer,white,Ø25*8,4*2,5	8	PCS	5707292140791
12	117897	Table bracket left	1	PCS	5707292780249