

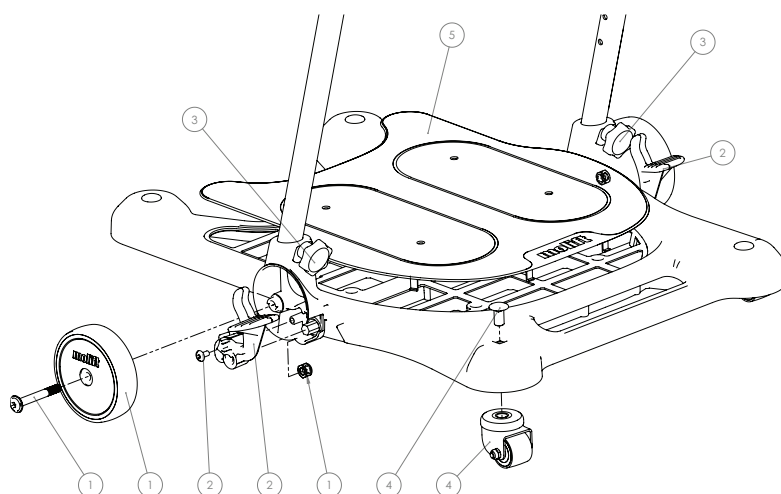
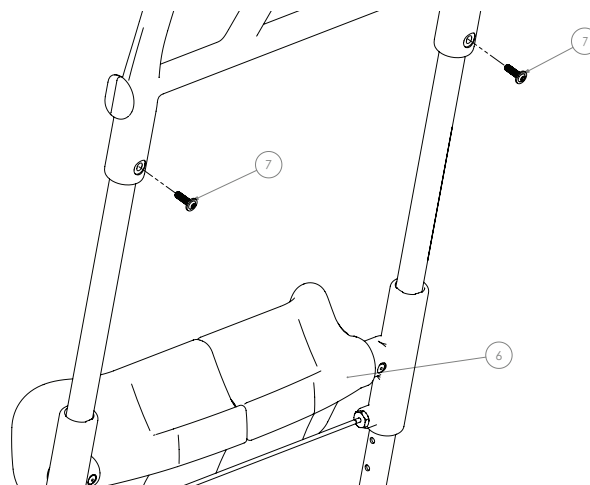
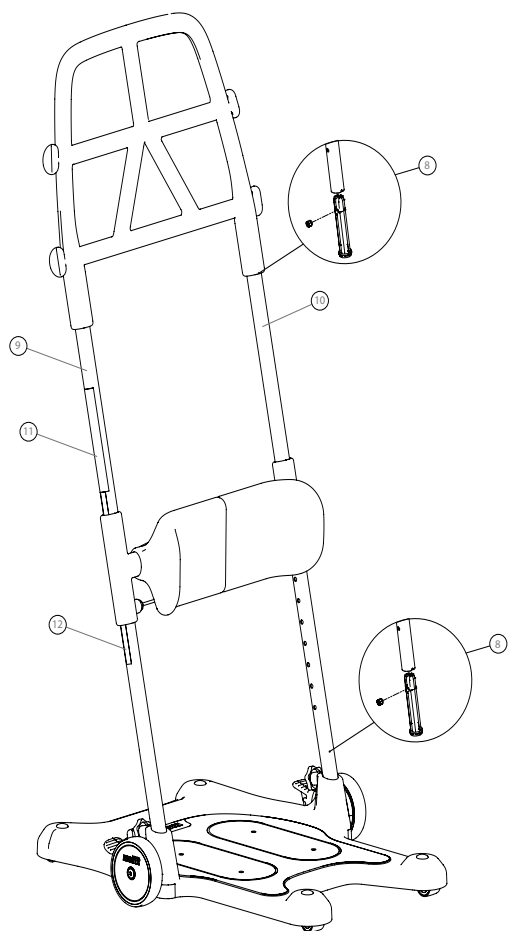
# Raiser Pro

## Spare part list

**molift**<sup>®</sup>  
by Etac

EN

43-074 rev E 2023-04-19



Pos.	Title	Item no.
1.	Wheel 100 mm, 2 pcs inkl screws and nuts.....	28462
2.	Brake pedal set, left/right incl screws and grease .....	28463
3.	Knobset, 2 pcs.....	28469
4.	Castor wheel 35 mm, set of 4 incl screws .....	28461
5.	Footplate .....	28464
6.	Legsupport, complete.....	83219
7.	Screw set handle, 2 pcs .....	28472
	Grease for brake pedal.....	28473
	Socket for replacing castor (tool).....	28465
8.	Black plastic piece incl lock nut, 2 pairs.....	0990507
9.	Raiser PRO right pipe complete.....	83361
10.	Raiser PRO left pipe complete.....	83362
11.	User label, pipe .....	72117
12.	Height label, pipe.....	72118

CE