



**ELEKTRISK RULLESTOL**

Rev. 1\_2020

**LS 300**

**Delebok**



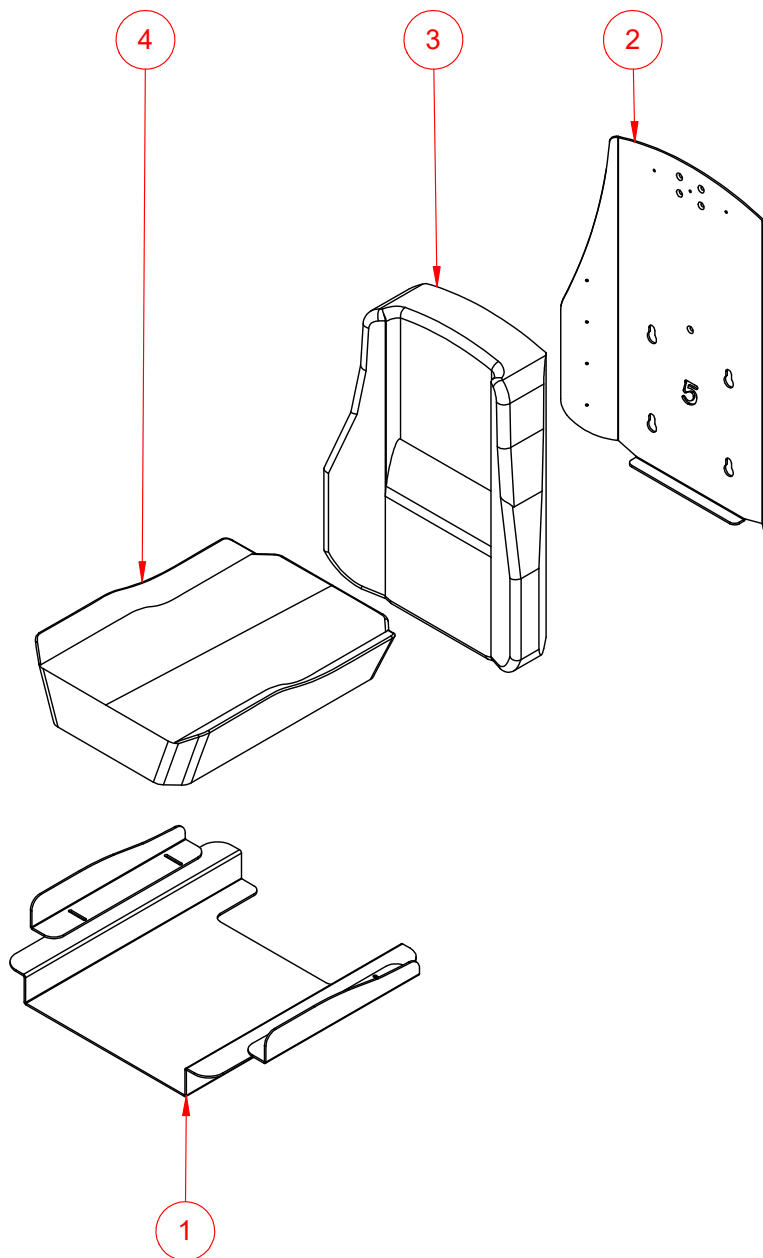
## **Innhold**

<b>Sittesystem .....</b>	<b>4</b>
<b>Tilt - elektrisk .....</b>	<b>6</b>
<b>Armlener .....</b>	<b>8</b>
<b>Bakstilling - bakhjulsoppheng m gafler .....</b>	<b>10</b>
<b>Seteløft .....</b>	<b>12</b>
<b>Fotbrett - benstøtte .....</b>	<b>14</b>
<b>Elektronikk .....</b>	<b>16</b>
<b>Motorer .....</b>	<b>18</b>
<b>Rygg - elektrisk .....</b>	<b>20</b>
<b>Hodestøtte med sidejustering.....</b>	<b>22</b>
<b>Hodestøtte .....</b>	<b>24</b>
<b>Deksler - skjermer.....</b>	<b>26</b>
<b>Hjul.....</b>	<b>28</b>

# Sittesystem

Splittegning/Exploded view

Sittesystem LS-300  
Seat system LS-300



## Splittegning/Exploded view

### Sittesystem LS-300 Seat system LS-300

Pos.	Art.	Ant./ No	Beskrivelse	Description
1	102327	1	Sete, Skall NHD 3-7	Seat base chassis NHD 3-7
2	102329	1	Rygg, Skall NHD5 b47 x h58	Seat back chassis NHD5 w47 x h58
3	102332	1	Sete, Pute NHD5 b47 x d55	Seat base pad cushion NHD5 w47 x d55
4	102335	1	Rygg, Pute NHD5 b47 x h58	Seat back pad cushion NHD5 w47 x h58

#### Tilvalg Pos. 2/ Option pos. 2

Pos.	Art.	Ant./ No	Beskrivelse	Description
2	102328	1	Rygg, Skall NHD3 b43 x h50	Seat back chassis NHD3 w43 x h50
2	102330	1	Rygg, Skall NHD7 b52 x h68	Seat back chassis NHD7 w52 x h68

#### Tilvalg Pos. 3/ Option pos. 3

Pos.	Art.	Ant./ No	Beskrivelse	Description
3	102331	1	Sete, Pute NHD3 b43 x d55	Seat base pad cushion NHD3 w43 x d55
3	102333	1	Sete, Pute NHD7 b52 x d55	Seat base pad cushion NHD7 w52 x d55
3	102337	1	Sete, Pute store vanger NHD3 b43 x d55	Seat base pad cushion large wing NHD3 w43 x d55
3	102338	1	Sete, Pute store vanger NHD5 b47 x d55	Seat base pad cushion large wing NHD5 w43 x d55
3	102339	1	Sete, Pute store vanger NHD7 b52 x d55	Seat base pad cushion large wing NHD7 w52 x d55

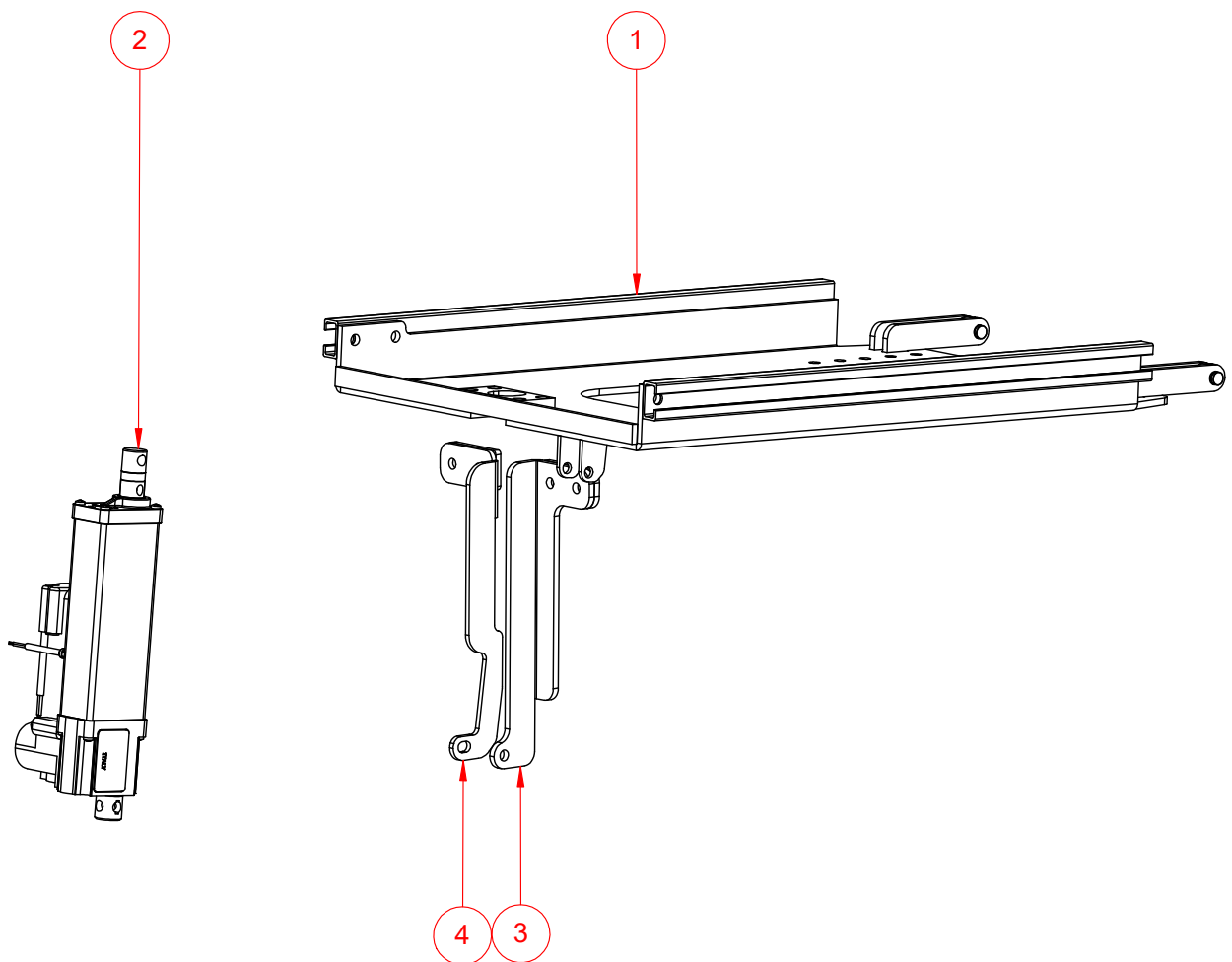
#### Tilvalg Pos. 4/ Option pos. 4

Pos.	Art.	Ant./ No	Beskrivelse	Description
4	102334	1	Rygg, Pute NHD3 b43 x h50	Seat back pad cushion NHD3 w43 x h50
4	102336	1	Rygg, Pute NHD7 b52 x h68	Seat back pad cushion NHD6 w52 x h68
4	102340	1	Rygg, Pute store vanger NHD3 b43 x h50	Seat back pad cushion large wing NHD3 w43 x h50
4	102341	1	Rygg, Pute store vanger NHD5 b47 x h58	Seat back pad cushion large wing NHD5 w47 x h58
4	102342	1	Rygg, Pute store vanger NHD7 b52 x h68	Seat back pad cushion large wing NHD7 w52 x h68

## Tilt - elektrisk

Splittegning/Exploded view

Tilt, Elektrisk LS-300  
Seat tilt LS-300



Splittegning/Exploded view

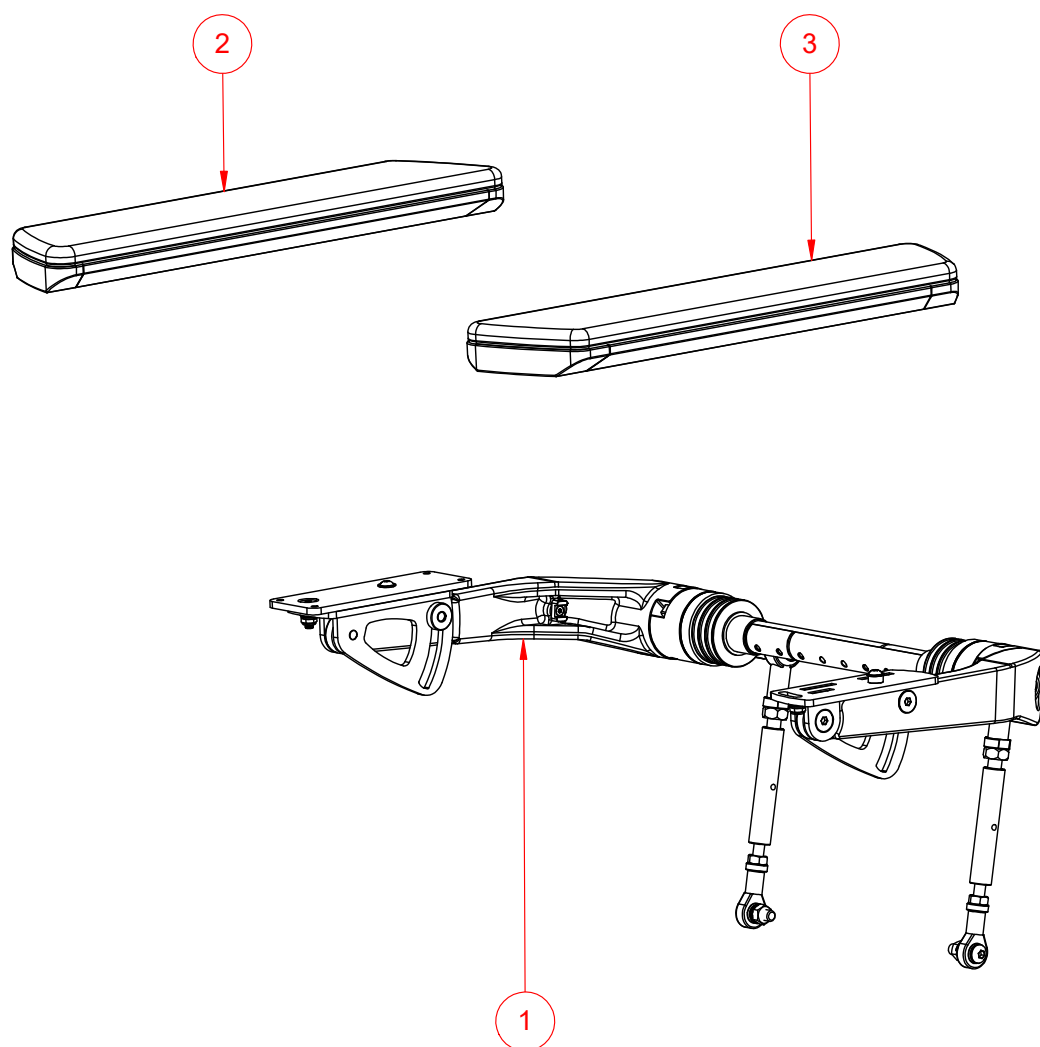
Tilt, Elektrisk LS-300  
Seat tilt LS-300

Pos.	Art.	Ant./ No	Beskrivelse	Description
1	102359	1	Tiltramme LS-300	Tilt frame LS-300
2	102024	1	Aktuator, tilt LS-300	Actuator seat tilt LS-300
3	102361	1	Brakett, tiltmotor venstre LS-300	Bracket for tiltmotor left LS-300
4	102360	1	Brakett, tiltmotor høyre LS-300	Bracket for tilt motor right LS-300

# Armlener

Splittegning/Exploded view

Armlene LS-300  
Armrest LS-300





## Splittegning/Exploded view

Armlene LS-300  
Armrest LS-300

Pos.	Art.	Ant./ No	Beskrivelse	Description
1	102150	1	Armlene, innfestning u/puter bredde 410-530	Armrest assembly 410-530
2	102154	1	Armlenepute, høyre 400	Armrest pad, right 400
3	102158	1	Armlenepute, venstre 400	Armrest pad, left 400

### Tilvalg pos. 2/ option pos.2

Pos.	Art.	Ant./ no	Beskrivelse	Description
2	102152	1	Armlenepute, høyre 320	Armrest pad, right 320

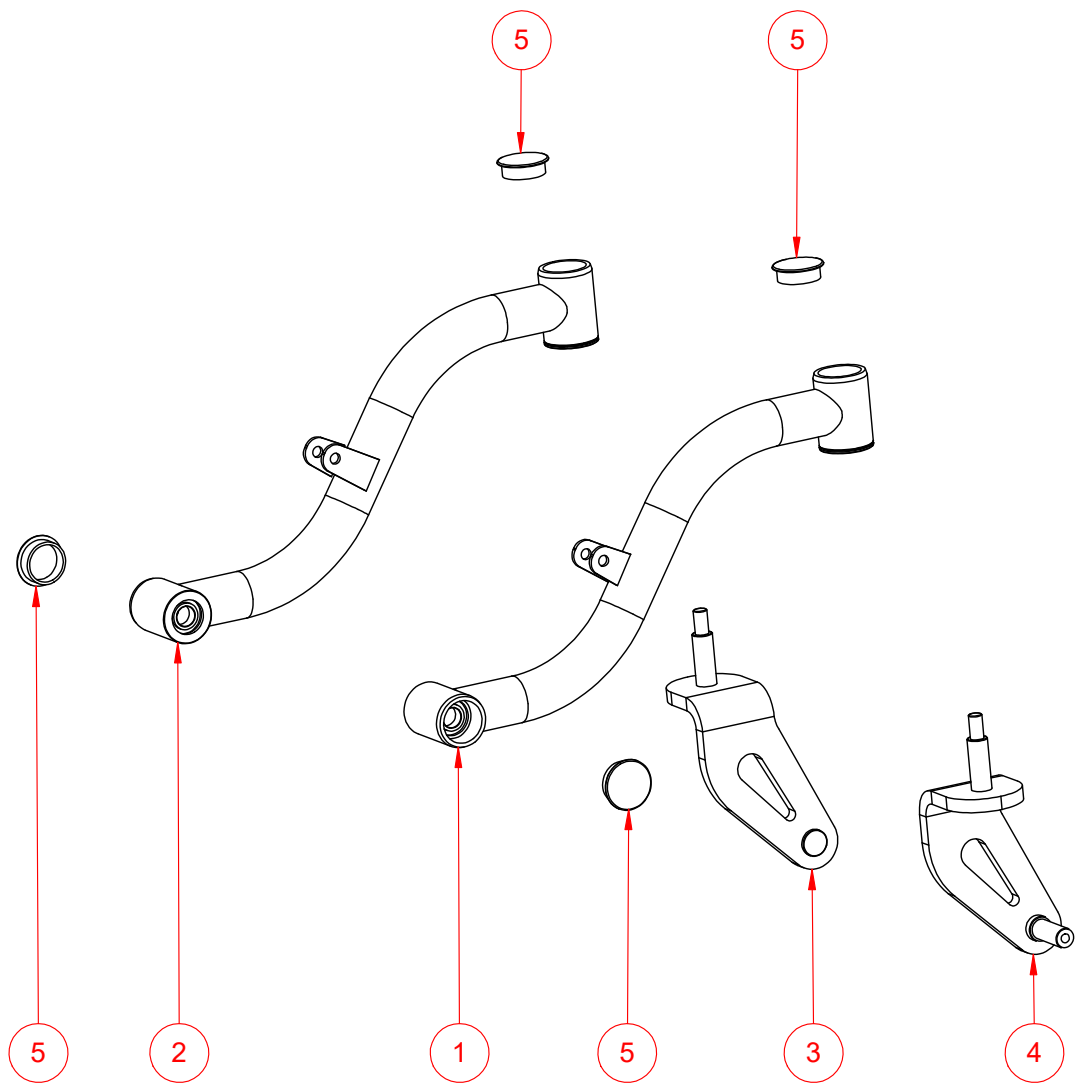
### Tilvalg pos. 3/ option pos.3

Pos.	Art.	Ant./ no	Beskrivelse	Description
2	102156	1	Armlenepute, venstre 320	Armrest pad, left 320

# Bakstilling - bakhjulsoppheng m gafler

Splittegning/Exploded view

Bakstilling LS-300  
Rear carriage LS-300



## Splittegning/Exploded view

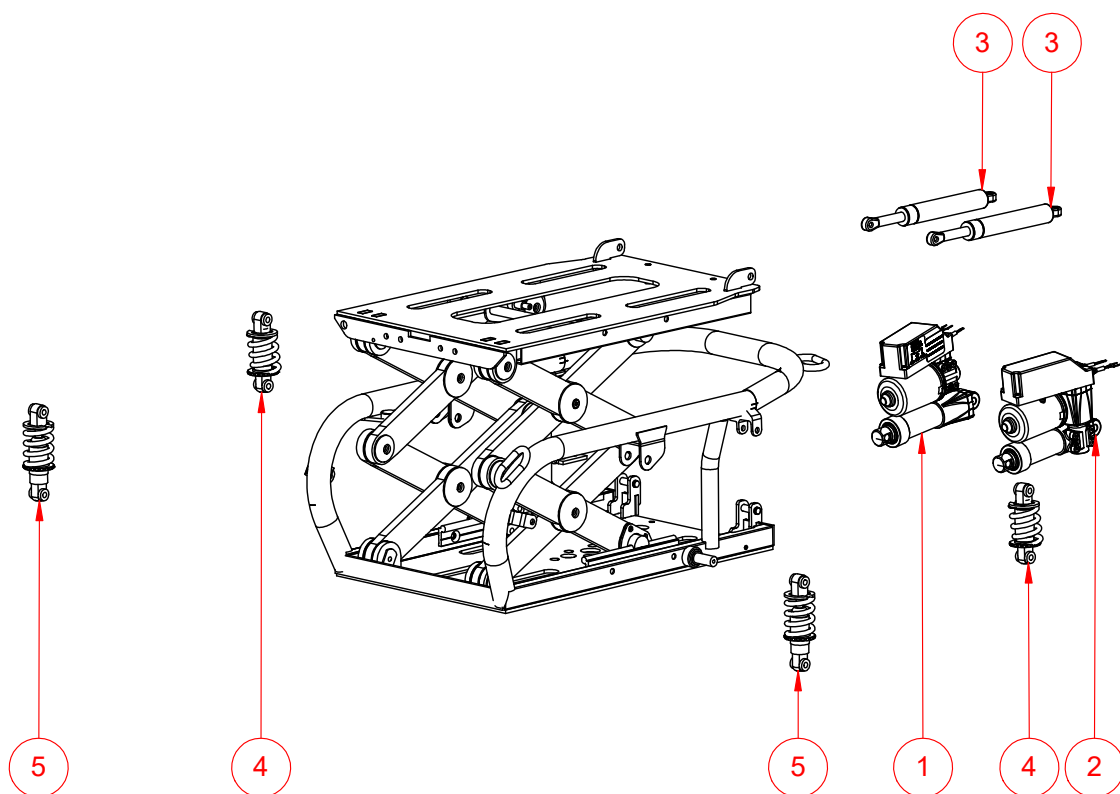
Bakstilling| LS-300  
Rear carriage LS-300

Pos.	Art.	Ant./ No	Beskrivelse	Description
1	102350	1	Bakstillingsrør, venstre LS-300	Left rear carriage arm LS-300
2	102349	1	Bakstillingsrør, høyre LS-300	Right rear carriage arm LS-300
3	102239	1	Hjulgaffel slavehjulsarm høyre LS-300	Caster bracket right LS-300
4	102240	1	Hjulgaffel slavehjulsarm venstre LS-300	Castor bracket left LS-300
5	102356	4	Plastplugg, rund bakstilling LS-300	Plastic castor cap LS-300

# Seteløft

Splittegning/Exploded view

løft LS-300  
Seat lift LS-300



Splittegning/Exploded view

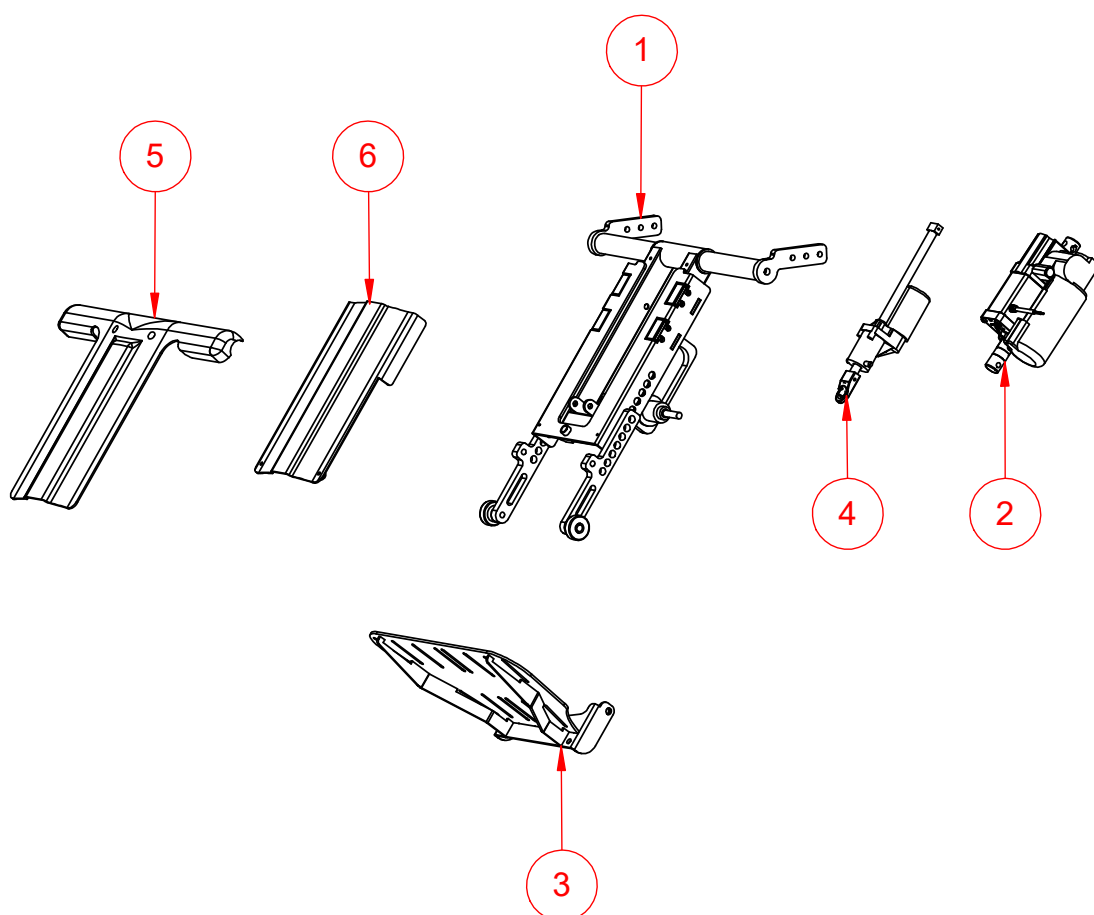
løft LS-300  
Seat lift LS-300

Pos.	Art.	Ant./ No	Beskrivelse	Description
1	102280	1	Aktuator, løft LS-300 høyre	Seat lift actuator, right LS-300
2	102022	1	Aktuator, løft LS-300 venstre	Seat lift actuator, left LS-300
3	102033	2	Gassdemper, LS-300 løft 1500N	Gas dampner, seat lift 1500N
4	102237	2	Støtdemper 100L/850LBS	Shock absorber 100/850LBS
5	102238	2	Støtdemper 125L/850LBS	Shock absorber 125/850LBS

## Fotbrett - benstøtte

Splittegning/Exploded view

Fotbrett LS-300  
Footrest LS-300



## Splittegning/Exploded view

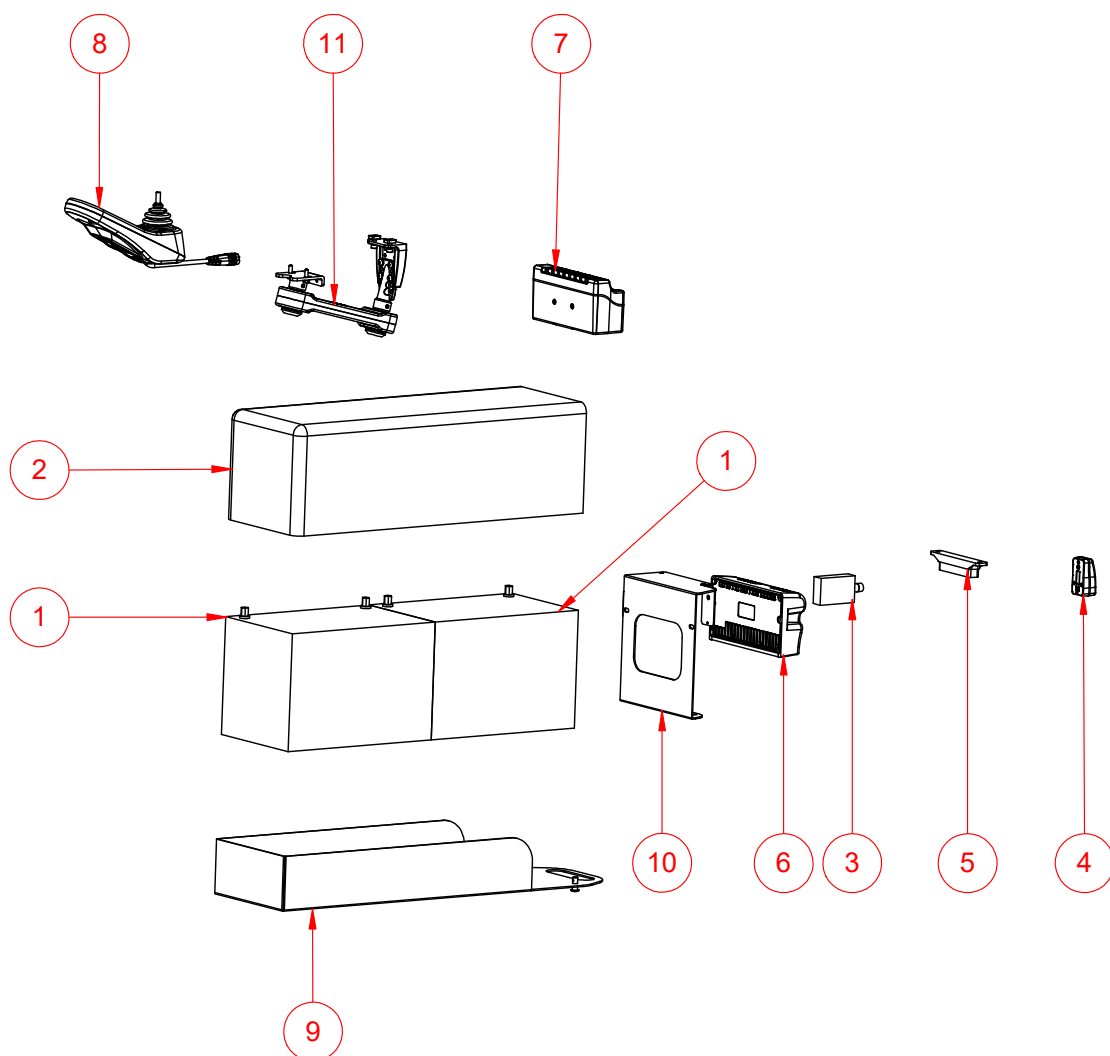
Fotbrett LS-300  
Footrest LS-300

Pos.	Art.	Ant./ No	Beskrivelse	Description
1	102358	1	Grunnstamme elektrisk senter fotbrett LS-300	Base unit, legrest assembly LS-300
2	102021	1	Aktuator, fotbrett Tilt LS-300	Footrest tilt actuator LS-300
3	102031	1	Fotplate, Hel LS-300	Footrest single plate LS-300
4	102020	1	Aktuator, fotbrett lengdekomp LS-300	Legrest length compensation motor LS-300
5	102143	1	Deksel, fotbrett øvre LS-300	Cover, Footrest upper LS-300
6	102144	1	Deksel, fotbrett nedre LS-300	Cover, footrest lower LS-300

# Elektronikk

Splittegning/Exploded view

Elektronikk LS-300  
Control electronics LS-300





## Splittegning/Exploded view

### Elektronikk LS-300 Control electronics LS-300

Pos.	Art.	Ant./ No	Beskrivelse	Description
1	KP-NHD 10200	2	Batteri 12V 60Ah	Battery 12V 60Ah
2	102117	1	Batteritrek LS-300	Battery cover LS-300
3	102049	1	Sikkring 90 A LS-300	Micro braker 90Amp
4	102101	1	R-net, Gyromodul	R-net, gyro module
5	102064	1	R-net, Kabelblokk/forgrening	R-net Connector, 4-way bus
6	102063	1	Powermodul R-net PM 120	R-net power module 120 Amp
7	102128	1	R-net, ISM 8 aktuator modul CxSM	R-net, ISM 8 actuator module CxSM
8	102066	1	Joystick, R-net, JSM-LED-L	Joystick, R-net, JSM-LED-L
9	102118	1	Batterikasse LS-300	Battery tray with fastenings LS-300
10	102357	1	Innfestning powermodul LS-300	Brackett for power module LS-300
11	102202	1	Joystick, Standard feste høyre R-net	Standard joystick bracket right R-net

#### Tilvalg til Pos. 8/Option to Pos. 8

Pos.	Art.	Ant./ No	Beskrivelse	Description
8	102114	1	Joystick, R-net CJSM-L SW	Joystick, R-net CJSM-L-SW
8	102127	1	Joystick, R-net CJSM2-VGA IR	Joystick, R-net CJSM2-VGA IR
8	102098	1	Joystick, R-net CJSM2-VGA IR/Bluetooth	Joystick, R-net CJSM2-VGA IR/Bluetooth

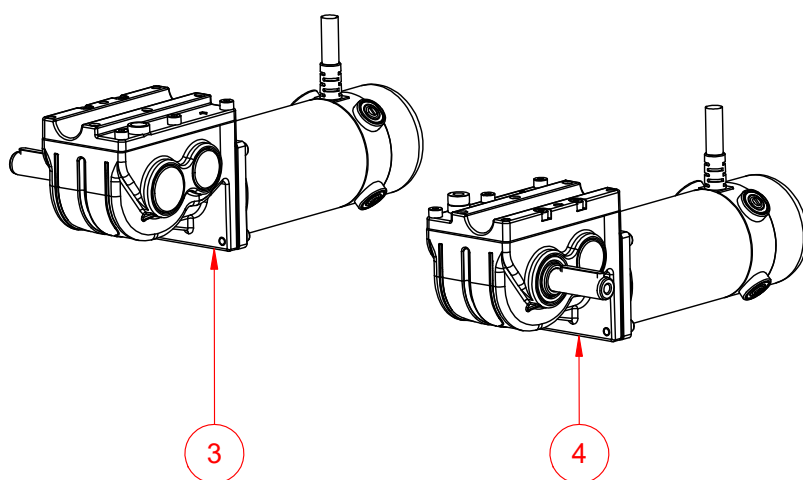
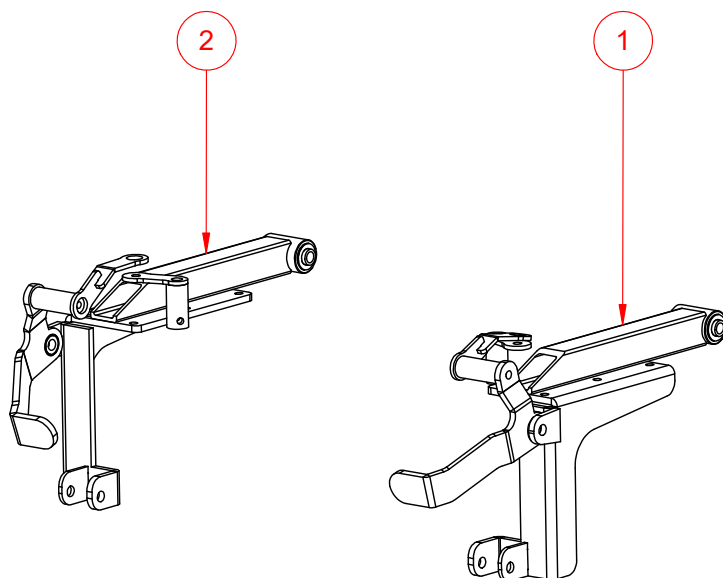
#### Tilvalg til Pos. 11/Option to Pos. 11

Pos.	Art.	Ant./ No	Beskrivelse	Description
11	102203	1	Joystick, Standard feste venstre R-net	Standard joystick bracket left R-net
11	102200	1	Joystick, Parallelforskyvning høyre R-net	Swing away joystick bracket right R-net
11	102201	1	Joystick, Parallelforskyvning venstre R-net	Swing away joystick bracket left R-net

# Motorer

Splittegning/Exploded view

Motorer LS-300  
Motors LS-300



## Splittegning/Exploded view

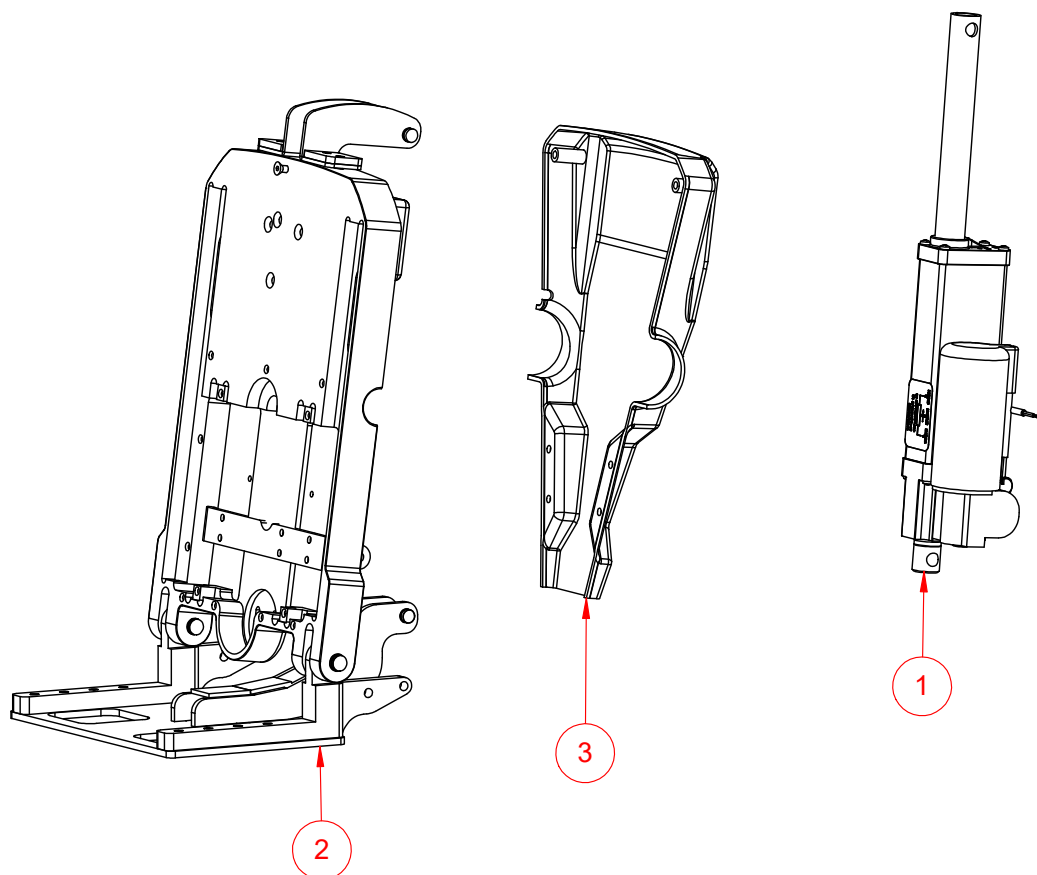
Motorer LS-300  
Motors LS-300

Pos.	Art.	Ant./ No	Beskrivelse	Description
1	102377	1	Motorbrakett venstre LS-300	Drive motor bracket, left LS-300
2	102378	1	Motorbrakett høyre LS-300	Drive motor Bracket , right LS-300
3	102279	1	Drivmotor, LS-300 høyre 450W	Drive motor right 450W LS-300
4	102278	1	Drivmotor, LS-300 Venstre 450W	Drive motor left 450W LS-300

# Rygg - elektrisk

Splittegning/Exploded view

Rygg, elektrisk LS-300  
Backrest LS-300



Splittegning/Exploded view

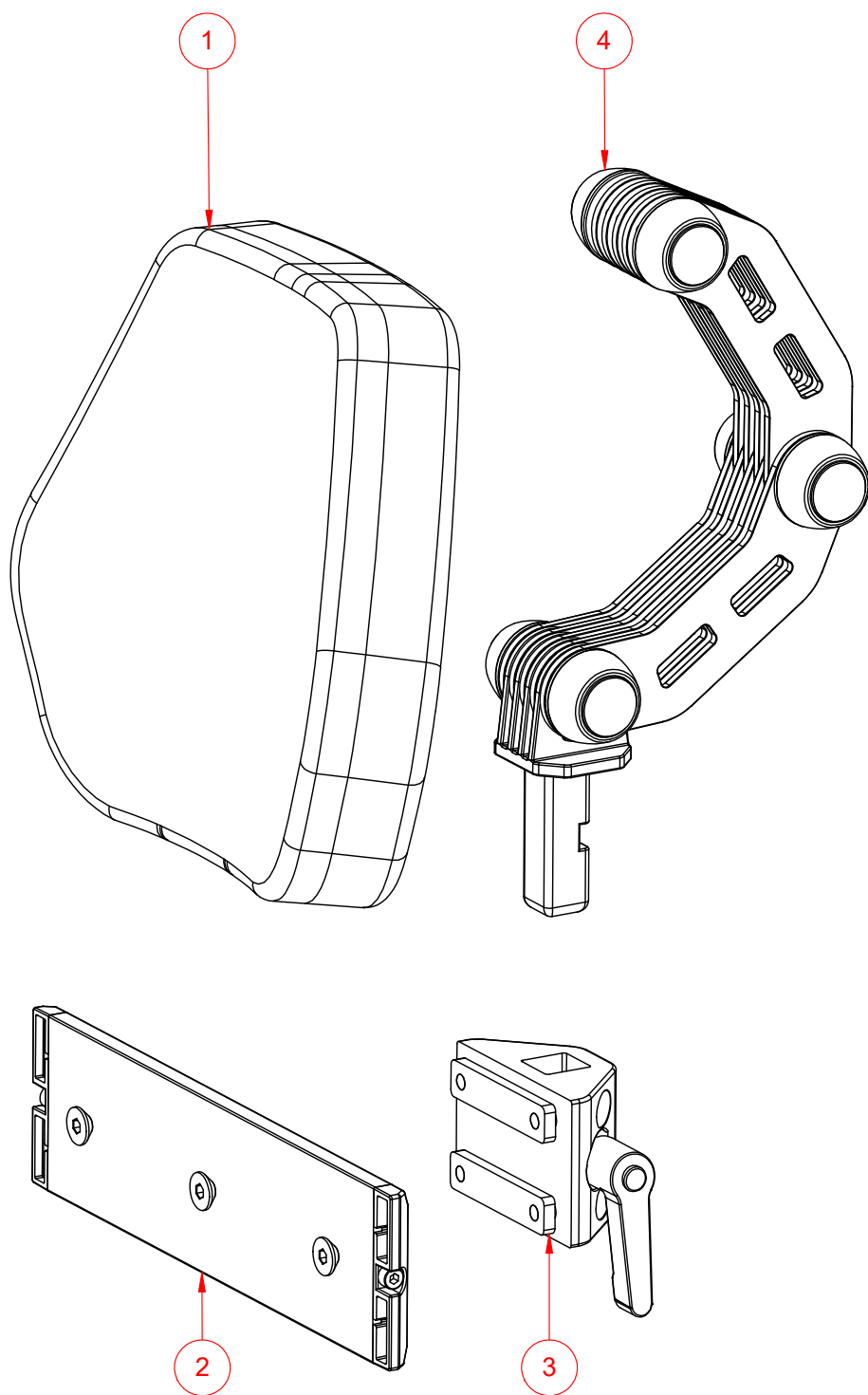
Rygg elektrisk LS-300  
Backrest LS-300

Pos.	Art.	Ant./ No	Beskrivelse	Description
1	102023	1	Aktuator, rygg LS-300	backrest recline actuator LS-300
2	102243	1	Ryggramme LS-300 gliderygg	Backrest frame with anti sheer LS-300
3	102163	1	Deksel rygg LS-300	Cover backrest LS-300

## Hodestøtte med sidejustering

Splittegning/Exploded view

Nakkestøtte sidejustering LS-300  
Headrest with lateral adjustment LS-300



Splittegning/Exploded view

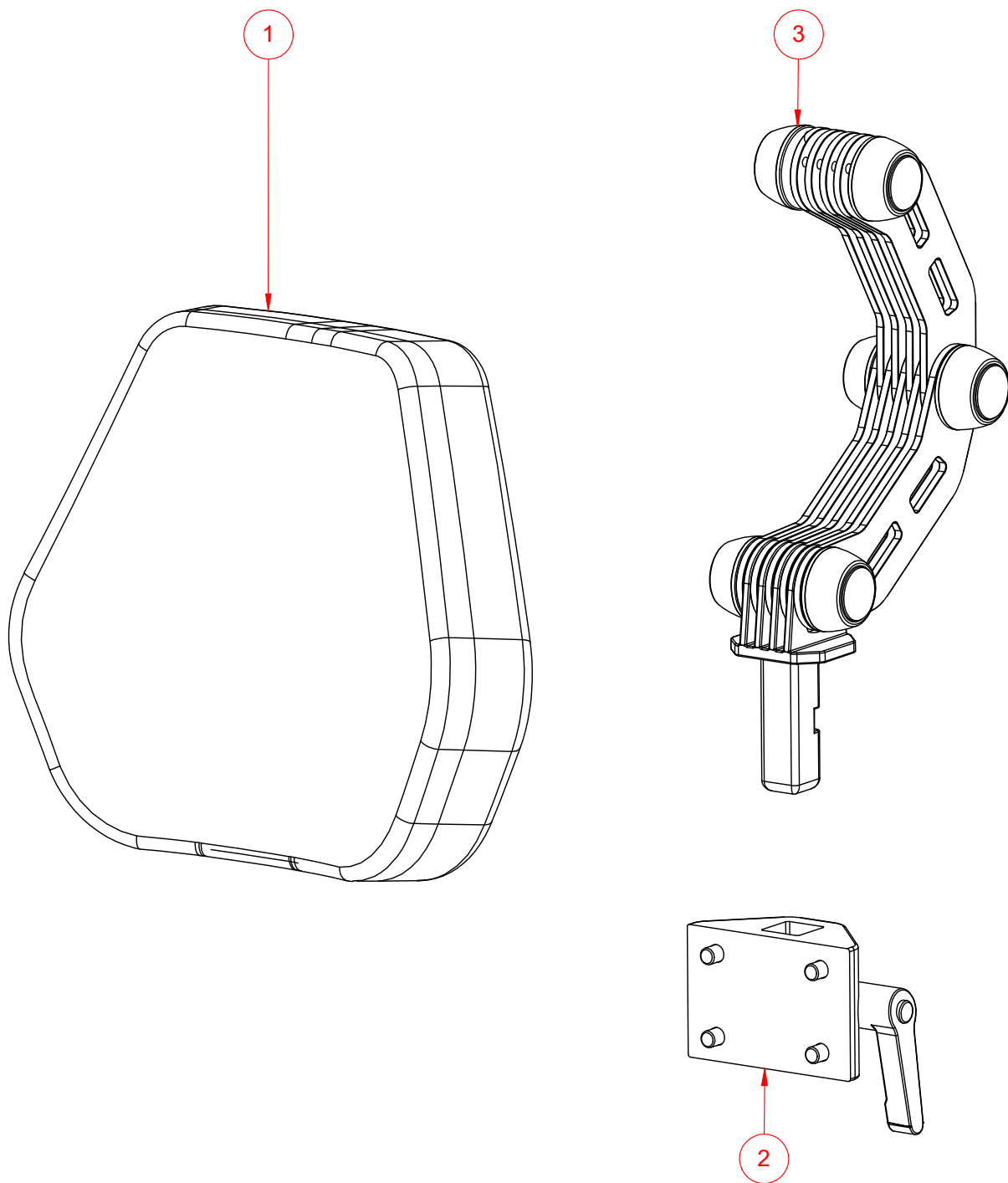
Nakkestøtte sidejustering LS-300  
Headrest with lateral adjustment LS-300

Pos.	Art.	Ant./ No	Beskrivelse	Description
1	102353	1	Nakkepute, standard	Headrest, pad standard
2	102354	1	Nakkestøtte, skinne sidejustering	Headrest, mountingplate lateral adjustment
3	102352	1	Nakkestøtte, rygginnfestning sidejustering	Headrest, mounting bracket lateral adjustment
4	102355	1	Nakkestøtte, justeringsbøyle	Headrest, adjustable bracket

# Hodestøtte

Splittegning/Exploded view

Nakketøffe, LS-300  
Headrest LS-300





Splittegning/Exploded view

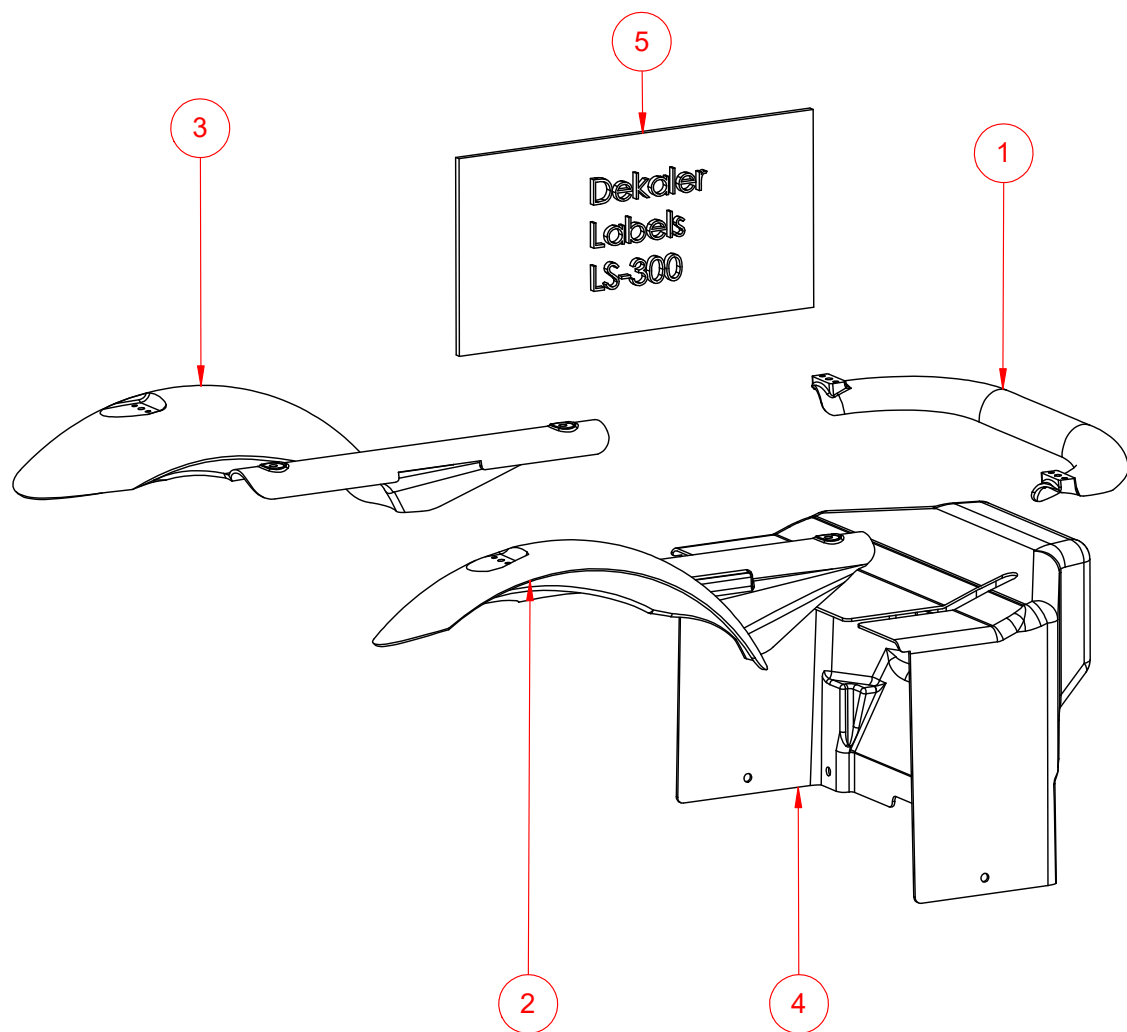
Nakkestøtte, LS-300  
Headrest LS-300

Pos.	Art.	Ant./ No	Beskrivelse	Description
1	102353	1	Nakkepute, standard	Headrest, pad standard
2	102351	1	Nakkestøtte, rygginnfestning fast	Headrest, mounting bracket standard
3	102355	1	Nakkestøtte, justeringsbøyle	Headrest, adjustable bracket

## Deksler - skjermer

Splittegning/Exploded view

Deksler LS-300  
Covers LS-300



Splittegning/Exploded view

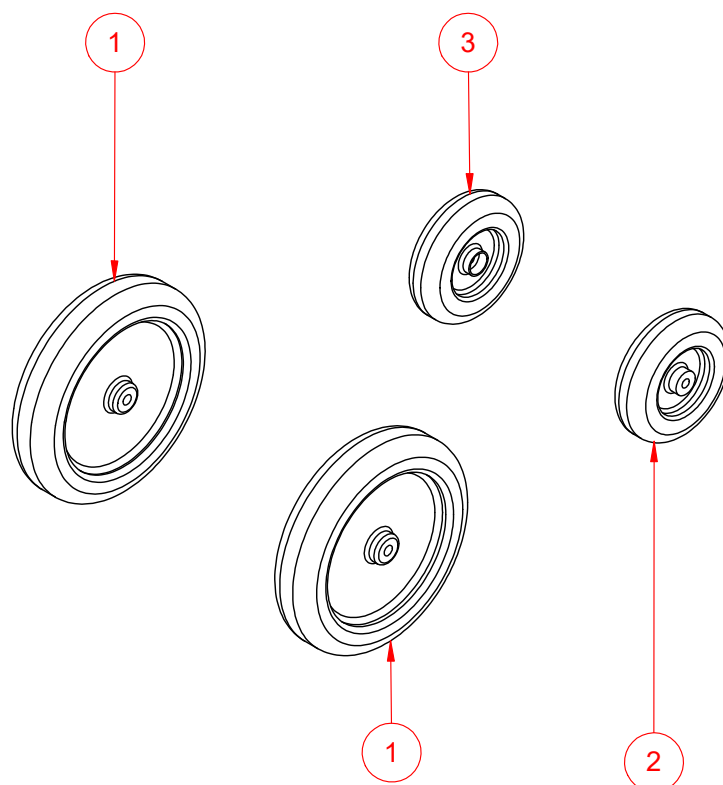
Deksler LS-300  
Covers LS-300

Pos.	Art.	Ant./ No	Beskrivelse	Description
1	102142	1	Deksel, baklamper LS-300	Rear cover LS-300
2	102052	1	Skjerm, venstre LS-300	Side cover, left LS-300
3	102051	1	Skjerm, høyre LS-300	Side cover, right LS-300
4	102053	1	Deksel, bakre chassis LS-300	Rear chassis cover LS-300
5	102361	1	Lablesett LS-300	LS-300 Decal kit

# Hjul

Splittegning/Exploded view

Hjul LS-300  
Wheels LS-300



## Hjul LS-300 Wheels LS-300

Pos.	Art.	Ant./ No	Beskrivelse	Description
1	102185	2	Hjul, Komplett grå luft drivhjul LS-300	Front wheel with tyre air, grey LS-300
2	102187	1	Hjul, Komplett grå luft slavehjul venstre LS-300	Rear wheel with tyre air, left grey LS-300
3	102186	1	Hjul, Komplett grå luft slavehjul høyre LS-300	Rear wheel with tyre air, right grey LS-300

### Tilvalg/Options

Pos.	Art.	Ant./ No	Beskrivelse	Description
1	102182	2	Hjul, komplett grå kompakt drivhjul LS-300	Front wheel with tyre puncture proof, grey LS-300
2	102184	1	Hjul, komplett grå kompakt slavehjul venstre LS-300	Rear wheel with tyre puncture proof, left grey LS-300
3	102183	1	Hjul, komplett grå kompakt slavehjul høyre LS-300	Rear wheel with tyre puncture proof, right grey LS-300

Pos.	Art.	Ant./ No	Beskrivelse	Description
1	102188	2	Hjul, komplett sort kompakt drivhjul LS-300	Front wheel with tyre puncture proof, black LS-300
2	102190	1	Hjul, komplett sort kompakt slavehjul venstre LS-300	Rear wheel with tyre puncture proof, left black LS-300
3	102189	1	Hjul, komplett sort kompakt slavehjul høyre LS-300	Rear wheel with tyre puncture proof, right black LS-300

Pos.	Art.	Ant./ No	Beskrivelse	Description
1	102191	2	Hjul, komplett sort luft drivhjul LS-300	Front wheel with tyre air, black LS-300
2	102199	1	Hjul, komplett sort luft slavehjul venstre LS-300	Rear wheel with tyre air, left black LS-300
3	102198	1	Hjul, komplett sort luft slavehjul høyre LS-300	Rear wheel with tyre air, right black LS-300





NO  
Sunrise Medical AS  
Delitoppen 3  
1540 Vestby  
Norway  
T: +47 66963800  
E: [post@sunrisemedical.no](mailto:post@sunrisemedical.no)  
[www.SunriseMedical.no](http://www.SunriseMedical.no)



NO  
NHD AS  
Gigstads vei 22  
3511 Hønefoss  
Tel: +47 99 31 61 00  
Post@nhd.as [www.nhd.as](http://www.nhd.as)

CE

PM\_LS 300\_NO\_NO\_Rev. 1.0\_2020-01-01