



# BeMe Seat

Spare Parts Catalogue



Supporting  
Children



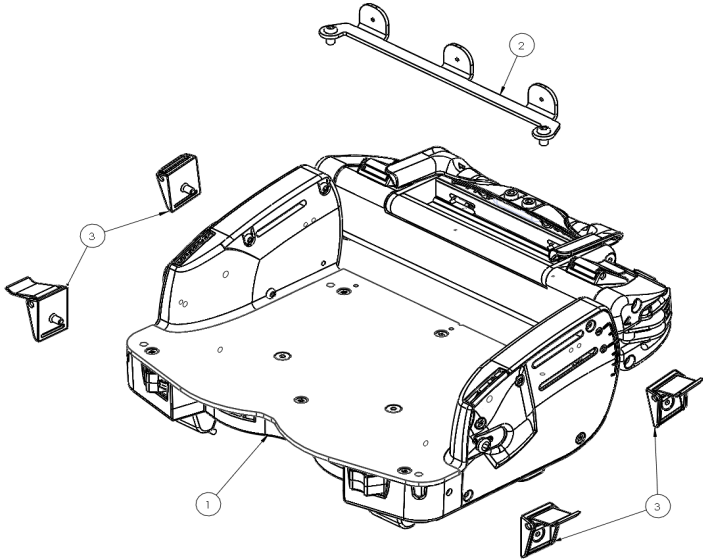
# BeMe Seat

## Contents

|    |  |
|----|--|
| 03 | Seat Core                                    |
| 04 | Basic Seat Hardware                          |
| 06 | Contoured Seat Hardware                      |
| 08 | Split Seat Hardware                          |
| 10 | Basic Backrest                               |
| 12 | Moderate Backrest                            |
| 14 | Complex Backrest                             |
| 16 | Dynamics                                     |
| 17 | Sun Canopy                                   |
| 18 | Power Wheelchair Interfaces                  |
| 19 | Manual Wheelchair Interfaces                 |
| 20 | Small Core to Medium Chassis Interface       |
| 21 | Small Manual (Gas Spring) Chassis            |
| 22 | Medium Manual (Gas Spring) Chassis           |
| 23 | Medium Hydraulic Indoor Chassis              |
| 24 | Medium Pump Action Hydraulic Outdoor Chassis |
| 25 | Extendable Push Handle                       |
| 26 | Large Hydraulic Chassis                      |

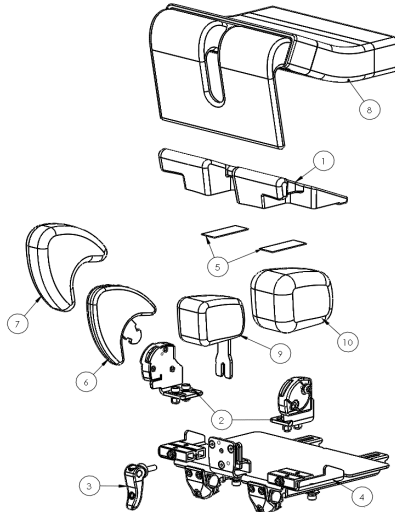
|    |                                    |
|----|------------------------------------|
| 27 | Large Power Chassis                |
| 28 | Large Chassis Interface (150-3751) |
| 29 | Femoral Gables and Receivers       |
| 30 | One-Piece Footplate                |
| 31 | Split Footplate                    |
| 32 | Headrest                           |
| 33 | Hip Guides                         |
| 34 | Rigid Lateral Brackets             |
| 35 | Flipaway Lateral Brackets          |
| 36 | Slim Lateral Pad                   |
| 37 | Wraparound Hugging Lateral Pads    |
| 38 | Hinged Lateral Pad                 |
| 39 | Armrest                            |
| 40 | Size 1 Tray                        |
| 41 | Size 2 Tray                        |
| 42 | Size 3 Tray                        |
| 43 | Upholstery                         |
| 44 | Upholstery                         |

# BeMe - Seat Core



| Pos.          | Leckey Sales Code | Description                              | Seat Core Compatability |        |       |
|---------------|-------------------|--|-------------------------|--------|-------|
|               |                   |  | Small                   | Medium | Large |
| 1             | 150-1601          | BeMe Seat CORE (Small)                   | ●                       |        |       |
| 1             | 150-2601          | BeMe Seat CORE (Medium)                  |                         | ●      |       |
| 1             | 150-3601          | BeMe Seat CORE (Large)                   |                         |        | ●     |
| 2             | 150-15182         | Seat CORE UPHOLSTERY ATTACHMENT (Small)  | ●                       |        |       |
| 2             | 150-25182         | Seat CORE UPHOLSTERY ATTACHMENT (Medium) |                         | ●      |       |
| 2             | 150-35182         | Seat CORE UPHOLSTERY ATTACHMENT (Large)  |                         |        | ●     |
| 3             | 150-5183          | CAMLOCK PACK                             | ●                       | ●      | ●     |
| Full Assembly | 150-1601          | BeMe Small Seat Core                     | ●                       |        |       |
| Full Assembly | 150-2601          | BeMe Medium Seat Core                    |                         | ●      |       |
| Full Assembly | 150-3601          | BeMe Large Seat Core                     |                         |        | ●     |

# BeMe - Basic Seat Hardware



| Pos. | Leckey Sales Code | Description | Seat Core Compatibility | Colour |
|------|-------------------|-------------|-------------------------|--------|
|------|-------------------|-------------|-------------------------|--------|

| Pos. | Leckey Sales Code | Description                    | Seat Core Compatibility |        |             |       |            | Colour |        |      |     |
|------|-------------------|--------------------------------|-------------------------|--------|-------------|-------|------------|--------|--------|------|-----|
|      |                   |                                | Small                   | Medium | Medium-Long | Large | Large-Long | Blue   | Purple | Grey | Red |
| 1    | 150-15141         | BASIC Seat FOAM RAMP (Small)   | ●                       |        |             |       |            |        |        |      |     |
| 1    | 150-25141         | BASIC Seat FOAM RAMP (Medium)  |                         | ●      | ●           |       |            |        |        |      |     |
| 1    | 150-35141         | BASIC Seat FOAM RAMP (Large)   |                         |        |             | ●     | ●          |        |        |      |     |
| 2    | 150-15142         | GABLE RECEIVER PAIR (Small)    | ●                       |        |             |       |            |        |        |      |     |
| 2    | 150-25142         | GABLE RECEIVER PAIR (Medium)   |                         | ●      | ●           |       |            |        |        |      |     |
| 2    | 150-35142         | GABLE RECEIVER PAIR (Large)    |                         |        |             | ●     | ●          |        |        |      |     |
| 3    | 150-5143          | POMMEL CAMLOCK                 | ●                       | ●      | ●           | ●     | ●          |        |        |      |     |
| 4    | 150-15144         | BASIC Seat PLATE (Small)       | ●                       |        |             |       |            |        |        |      |     |
| 4    | 150-25144         | BASIC Seat PLATE (Medium)      |                         | ●      |             |       |            |        |        |      |     |
| 4    | 150-35144         | BASIC Seat PLATE (Large)       |                         |        |             | ●     |            |        |        |      |     |
| 4    | 150-45144         | BASIC Seat PLATE (Medium-Long) |                         |        | ●           |       |            |        |        |      |     |
| 4    | 150-55144         | BASIC Seat PLATE (Large-Long)  |                         |        |             |       | ●          |        |        |      |     |

# BeMe - Basic Seat Hardware

| Pos.          | Leckey Sales Code | Description                                      | Seat Core Comatability |        |             |       |            | Colour |        |      |     |
|---------------|-------------------|--|------------------------|--------|-------------|-------|------------|--------|--------|------|-----|
|               |                   |  | Small                  | Medium | Medium Long | Large | Large-Long | Blue   | Purple | Grey | Red |
| 5             | 150-15145         | VELCRO PAIR FOR BASIC Seat PLATE (Small)         | ●                      |        |             |       |            |        |        |      |     |
| 5             | 150-25145         | VELCRO PAIR FOR BASIC Seat PLATE (Medium)        |                        | ●      | ●           |       |            |        |        |      |     |
| 5             | 150-35145         | VELCRO PAIR FOR BASIC Seat PLATE (Large)         |                        |        |             | ●     | ●          |        |        |      |     |
| Full Assembly | 150-1637          | Small Basic Seat hardware (no upholstery)        | ●                      |        |             |       |            |        |        |      |     |
| Full Assembly | 150-2637          | Medium Basic Seat hardware (no upholstery)       |                        | ●      |             |       |            |        |        |      |     |
| Full Assembly | 150-4637          | Medium-Long Basic Seat hardware (no upholstery)  |                        |        | ●           |       |            |        |        |      |     |
| Full Assembly | 150-3637          | Large Basic Seat hardware (no upholstery)        |                        |        |             | ●     |            |        |        |      |     |
| Full Assembly | 150-5637          | Large-Long Basic Seat hardware (no upholstery)   |                        |        |             |       | ●          |        |        |      |     |
| 6             | 150-1615          | SINGLE FEMORAL GABLE (Small)                     | ●                      | ●      | ●           | ●     | ●          |        |        |      |     |
| 6             | 150-2615          | SINGLE FEMORAL GABLE (Medium)                    | ●                      | ●      | ●           | ●     | ●          |        |        |      |     |
| 6             | 150-3615          | SINGLE FEMORAL GABLE (Large)                     | ●                      | ●      | ●           | ●     | ●          |        |        |      |     |
| 6             | 150-4615          | SINGLE FEMORAL GABLE (X-Large)                   | ●                      | ●      | ●           | ●     | ●          |        |        |      |     |
| 7             | 150-1862          | SINGLE PADDED COVER FOR FEMORAL GABLE (Small)    | ●                      | ●      | ●           | ●     | ●          |        |        |      |     |
| 7             | 150-2862          | SINGLE PADDED COVER FOR FEMORAL GABLE (Medium)   | ●                      | ●      | ●           | ●     | ●          |        |        |      |     |
| 7             | 150-3862          | SINGLE PADDED COVER FOR FEMORAL GABLE (Large)    | ●                      | ●      | ●           | ●     | ●          |        |        |      |     |
| 7             | 150-4862          | SINGLE PADDED COVER FOR FEMORAL GABLE (X-Large)  | ●                      | ●      | ●           | ●     | ●          |        |        |      |     |
| 8             | 150-1840-XX       | BASIC Seat COVER WITH STRETCH FOAM (Small)       | ●                      |        |             |       |            | -02    | -04    | -08  | -09 |
| 8             | 150-2840-XX       | BASIC Seat COVER WITH STRETCH FOAM (Medium)      |                        | ●      |             |       |            | -02    | -04    | -08  | -09 |
| 8             | 150-3840-XX       | BASIC Seat COVER WITH STRETCH FOAM (Large)       |                        |        |             | ●     |            | -02    | -04    | -08  | -09 |
| 8             | 150-4840-XX       | BASIC Seat COVER WITH STRETCH FOAM (Medium-Long) |                        |        | ●           |       |            | -02    | -04    | -08  | -09 |
| 8             | 150-5840-XX       | BASIC Seat COVER WITH STRETCH FOAM (Large-Long)  |                        |        |             |       | ●          | -02    | -04    | -08  | -09 |
| 9             | 150-1624          | POMMEL (Small)                                   | ●                      |        |             |       |            |        |        |      |     |
| 9             | 150-2624          | POMMEL (Medium)                                  |                        | ●      | ●           |       |            |        |        |      |     |
| 9             | 150-3624          | POMMEL (Large)                                   |                        |        |             | ●     | ●          |        |        |      |     |

| Pos. | Leckey Sales Code | Description           | Seat Core Compatability |        |             |       |            | Colour |        |      |     |
|------|-------------------|-----------------------|-------------------------|--------|-------------|-------|------------|--------|--------|------|-----|
|      |                   |                       | Small                   | Medium | Medium-Long | Large | Large-Long | Blue   | Purple | Grey | Red |
| 10   | 150-1864          | POMMEL COVER (Small)  | ●                       |        |             |       |            |        |        |      |     |
| 10   | 150-2864          | POMMEL COVER (Medium) |                         | ●      | ●           |       |            |        |        |      |     |
| 10   | 150-3864          | POMMEL COVER (Large)  |                         |        |             | ●     | ●          |        |        |      |     |

## BeMe - Contoured Seat Hardware

| Pos. | Leckey Sales Code | Description                       | Seat Core Compatability |        |             |       |            | Colour |        |      |     |
|------|-------------------|-----------------------------------|-------------------------|--------|-------------|-------|------------|--------|--------|------|-----|
|      |                   |                                   | Small                   | Medium | Medium-Long | Large | Large-Long | Blue   | Purple | Grey | Red |
| 1    | 150-15171         | Contoured Seat Base (Small)       | ●                       |        |             |       |            |        |        |      |     |
| 1    | 150-25171         | Contoured Seat Base (Medium)      |                         | ●      | ●           |       |            |        |        |      |     |
| 1    | 150-35171         | Contoured Seat Base (Large)       |                         |        |             | ●     | ●          |        |        |      |     |
| 1    | 150-45171         | Contoured Seat Base (Medium-Long) | ●                       |        |             |       |            |        |        |      |     |
| 1    | 150-55171         | Contoured Seat Base (Large-Long)  |                         | ●      | ●           |       |            |        |        |      |     |
| 2    | 150-15172         | Contoured Seat PADS (Small)       |                         |        |             | ●     | ●          |        |        |      |     |
| 2    | 150-25172         | Contoured Seat PADS (Medium)      | ●                       | ●      | ●           | ●     | ●          |        |        |      |     |
| 2    | 150-35172         | Contoured Seat PADS (Large)       | ●                       |        |             |       |            |        |        |      |     |

# BeMe - Contoured Seat Hardware

| Pos.          | Lecley Sales Code | Description  | Seat Core Compatibility |        |             |       |            | Colour |        |      |     |     |
|---------------|-------------------|--|-------------------------|--------|-------------|-------|------------|--------|--------|------|-----|-----|
|               |                   |  | Small                   | Medium | Medium-Long | Large | Large-Long | Blue   | Purple | Grey | Red |     |
| 3             | 150-1860-XX       | Contoured Seat COVER WITH STRETCH FOAM (Small)       | ●                       |        |             |       |            |        | -02    | -04  | -08 | -09 |
| 3             | 150-2860-XX       | Contoured Seat COVER WITH STRETCH FOAM (Medium)      |                         | ●      |             |       |            |        | -02    | -04  | -08 | -09 |
| 3             | 150-3860-XX       | Contoured Seat COVER WITH STRETCH FOAM (Large)       |                         |        |             | ●     |            |        | -02    | -04  | -08 | -09 |
| 3             | 150-4860-XX       | Contoured Seat COVER WITH STRETCH FOAM (Medium-Long) |                         |        | ●           |       |            |        | -02    | -04  | -08 | -09 |
| 3             | 150-5860-XX       | Contoured Seat COVER WITH STRETCH FOAM (Large-Long)  |                         |        |             |       | ●          |        | -02    | -04  | -08 | -09 |
| 4             | 150-15174         | Seat Base VELCRO PACK (Small)                        | ●                       |        |             |       |            |        |        |      |     |     |
| 4             | 150-25174         | Seat Base VELCRO PACK (Medium)                       |                         | ●      | ●           |       |            |        |        |      |     |     |
| 4             | 150-35174         | Seat Base VELCRO PACK (Large)                        |                         |        |             | ●     | ●          |        |        |      |     |     |
| Full Assembly | 150-1638          | Small Contoured Seat (no upholstery)                 | ●                       |        |             |       |            |        |        |      |     |     |
| Full Assembly | 150-2638          | Medium Contoured Seat (no upholstery)                |                         | ●      |             |       |            |        |        |      |     |     |
| Full Assembly | 150-4638          | Medium-Long Contoured Seat (no upholstery)           |                         |        | ●           |       |            |        |        |      |     |     |
| Full Assembly | 150-3638          | Large Contoured Seat (no upholstery)                 |                         |        |             | ●     |            |        |        |      |     |     |
| Full Assembly | 150-5638          | Large-Long Contoured Seat (no upholstery)            |                         |        |             |       | ●          |        |        |      |     |     |

# BeMe - Split Seat Hardware

| Leckey Sales Code | Description           | Seat Core Compatability |        |             |       |            |      | Colour |      |  |
|-------------------|-----------------------|-------------------------|--------|-------------|-------|------------|------|--------|------|--|
|                   |                       | Small                   | Medium | Medium-Long | Large | Large-Long | Blue | Purple | Grey |  |
| 150-1864          | POMMEL COVER (Small)  | •                       |        |             |       |            |      |        |      |  |
| 150-2864          | POMMEL COVER (Medium) |                         | •      | •           |       |            |      |        |      |  |
| 150-3864          | POMMEL COVER (Large)  |                         |        |             | •     | •          |      |        |      |  |

# Me - Contoured Seat Hardware

| Leckey Sales Code | Description                  | Seat Core Compatability |        |             |       |            |      | Colour |      |  |
|-------------------|------------------------------|-------------------------|--------|-------------|-------|------------|------|--------|------|--|
|                   |                              | Small                   | Medium | Medium-Long | Large | Large-Long | Blue | Purple | Grey |  |
| 150-15171         | Contoured Seat Base (Small)  | •                       |        |             |       |            |      |        |      |  |
| 150-25171         | Contoured Seat Base (Medium) |                         | •      | •           |       |            |      |        |      |  |
| 150-35171         | Contoured Seat Base (Large)  |                         |        |             | •     | •          |      |        |      |  |

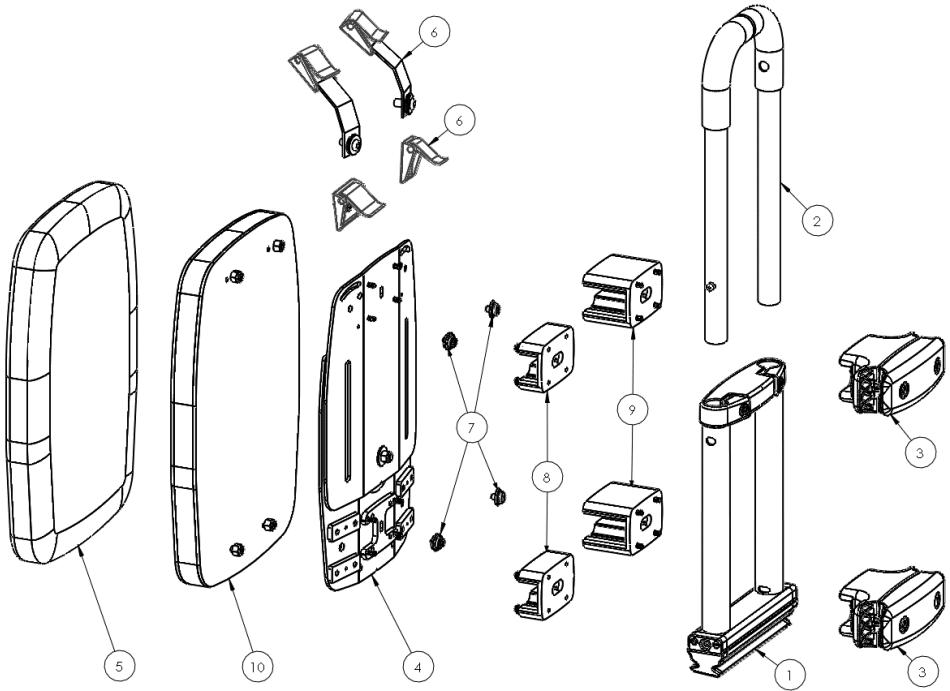
| Pos. | Leckey Sales Code | Description                               | Seat Core Compatability |        |             |       |            |      | Colour |      |     |  |
|------|-------------------|---|-------------------------|--------|-------------|-------|------------|------|--------|------|-----|--|
|      |                   |   | Small                   | Medium | Medium-Long | Large | Large-Long | Blue | Purple | Grey | Red |  |
| 1    | 150-25151         | SPLIT Seat FOAM RAMP PAIR (Medium)        |                         | •      | •           |       |            |      |        |      |     |  |
| 1    | 150-35151         | SPLIT Seat FOAM RAMP PAIR (Large)         |                         |        |             | •     | •          |      |        |      |     |  |
| 2    | 150-25152         | VELCRO PAIR FOR SPLIT Seat PLATE (Medium) |                         | •      | •           |       |            |      |        |      |     |  |
| 2    | 150-35152         | VELCRO PAIR FOR SPLIT Seat PLATE (Large)  |                         |        |             | •     | •          |      |        |      |     |  |
| 3    | 150-25142         | GABLE RECEIVER PAIR (Medium)              |                         | •      | •           |       |            |      |        |      |     |  |
| 3    | 150-35142         | GABLE RECEIVER PAIR (Large)               |                         |        |             | •     | •          |      |        |      |     |  |
| 4    | 150-25154         | SPLIT Seat PLATE PAIR (Medium)            |                         | •      |             |       |            |      |        |      |     |  |



# BeMe - Split Seat Hardware

| Pos.          | Leckey Sales Code | Description                                      | Seat Core Comatability |        |             |       |            | Colour |        |      |     |
|---------------|-------------------|--|------------------------|--------|-------------|-------|------------|--------|--------|------|-----|
|               |                   |  | Small                  | Medium | Medium-Long | Large | Large-Long | Blue   | Purple | Grey | Red |
| 4             | 150-35154         | SPLIT Seat PLATE PAIR (Large)                    |                        |        |             | ●     |            |        |        |      |     |
| 4             | 150-45154         | SPLIT Seat PLATE PAIR (Medium-Long)              |                        |        | ●           |       |            |        |        |      |     |
| 4             | 150-55154         | SPLIT Seat PLATE PAIR (Large-Long)               |                        |        |             |       | ●          |        |        |      |     |
| Full Assembly | 150-2639          | Medium Split Seat hardware (no upholstery)       |                        |        |             |       |            |        |        |      |     |
| Full Assembly | 150-4639          | Medium-Long Split Seat hardware(no upholstery)   |                        |        |             |       |            |        |        |      |     |
| Full Assembly | 150-3639          | Large Split Seat hardware (no upholstery)        |                        |        |             |       |            |        |        |      |     |
| Full Assembly | 150-5639          | Large-Long Split Seat hardware (no upholstery)   |                        |        |             |       |            |        |        |      |     |
| 5             | 150-2850-XX       | SPLIT Seat COVER WITH STRETCH FOAM (Medium)      |                        | ●      |             |       |            | -02    | -04    | -08  | -09 |
| 5             | 150-3850-XX       | SPLIT Seat COVER WITH STRETCH FOAM (Large)       |                        |        |             | ●     |            | -02    | -04    | -08  | -09 |
| 5             | 150-4850-XX       | SPLIT Seat COVER WITH STRETCH FOAM (Medium-Long) |                        |        | ●           |       |            | -02    | -04    | -08  | -09 |
| 5             | 150-5850-XX       | SPLIT Seat COVER WITH STRETCH FOAM (Large-Long)  |                        |        |             |       | ●          | -02    | -04    | -08  | -09 |
| 6             | 150-1615          | SINGLE FEMORAL GABLE (Small)                     |                        | ●      | ●           | ●     | ●          |        |        |      |     |
| 6             | 150-2615          | SINGLE FEMORAL GABLE (Medium)                    |                        | ●      | ●           | ●     | ●          |        |        |      |     |
| 6             | 150-3615          | SINGLE FEMORAL GABLE (Large)                     |                        | ●      | ●           | ●     | ●          |        |        |      |     |
| 6             | 150-4615          | SINGLE FEMORAL GABLE (X-Large)                   |                        | ●      | ●           | ●     | ●          |        |        |      |     |
| 7             | 150-1862          | SINGLE PADDED COVER FOR FEMORAL GABLE (Small)    |                        | ●      | ●           | ●     | ●          |        |        |      |     |
| 7             | 150-2862          | SINGLE PADDED COVER FOR FEMORAL GABLE (Medium)   |                        | ●      | ●           | ●     | ●          |        |        |      |     |
| 7             | 150-3862          | SINGLE PADDED COVER FOR FEMORAL GABLE (Large)    |                        | ●      | ●           | ●     | ●          |        |        |      |     |
| 7             | 150-4862          | SINGLE PADDED COVER FOR FEMORAL GABLE (X-Large)  |                        | ●      | ●           | ●     | ●          |        |        |      |     |

# BeMe - Basic Backrest

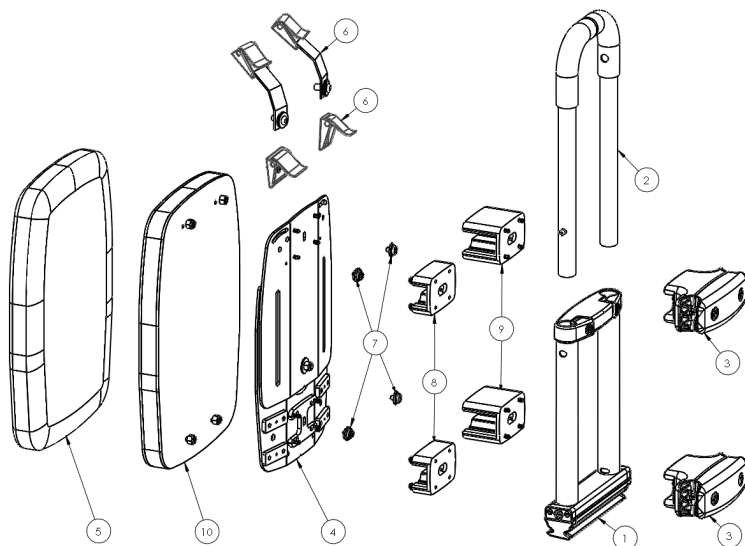


| Pos. | Leckey Sales Code | Description                   | Backrest Compatibility |        |       | Colour |        |      |     |
|------|-------------------|-------------------------------|------------------------|--------|-------|--------|--------|------|-----|
|      |                   |                               | Small                  | Medium | Large | Blue   | Purple | Grey | Red |
| 1    | 150-15001         | BACKREST LOWER FRAME [Small]  | ●                      |        |       |        |        |      |     |
| 1    | 150-25001         | BACKREST LOWER FRAME [Medium] |                        | ●      |       |        |        |      |     |
| 1    | 150-35001         | BACKREST LOWER FRAME [Large]  |                        |        | ●     |        |        |      |     |
| 2    | 150-15002         | BACKREST UPPER FRAME [Small]  | ●                      |        |       |        |        |      |     |
| 2    | 150-25002         | BACKREST UPPER FRAME [Medium] |                        | ●      |       |        |        |      |     |
| 2    | 150-35002         | BACKREST UPPER FRAME [Large]  |                        |        | ●     |        |        |      |     |
| 3    | 150-5003          | BASIC BACKREST CLAMP          | ●                      | ●      | ●     |        |        |      |     |
| 4    | 150-15004         | BASIC BACKREST [Small]        | ●                      |        |       |        |        |      |     |
| 4    | 150-25004         | BASIC BACKREST [Medium]       |                        | ●      |       |        |        |      |     |
| 4    | 150-35004         | BASIC BACKREST [Large]        |                        |        | ●     |        |        |      |     |

# BeMe - Basic Backrest

| Pos.          | Leckey Sales Code | Description  | Backrest Compatability |        |       | Colour |        |      |     |
|---------------|-------------------|--|------------------------|--------|-------|--------|--------|------|-----|
|               |                   |  | Small                  | Medium | Large | Blue   | Purple | Grey | Red |
| 5             | 150-1870-XX       | BASIC BACKREST COVER (Small)                       | ●                      |        |       | -02    | -04    | -08  | -09 |
| 5             | 150-2870-XX       | BASIC BACKREST COVER (Medium)                      |                        | ●      |       | -02    | -04    | -08  | -09 |
| 5             | 150-3870-XX       | BASIC BACKREST COVER (Large)                       |                        |        | ●     | -02    | -04    | -08  | -09 |
| 6             | 150-15006         | BASIC BACKREST BUCKLE (Small)                      | ●                      |        |       |        |        |      |     |
| 6             | 150-25006         | BASIC BACKREST BUCKLE (Medium & Large)             |                        | ●      | ●     |        |        |      |     |
| 7             | 150-5007          | POPPERS FOR COVER                                  | ●                      | ●      | ●     |        |        |      |     |
| 8             | 150-1790          | SPACER PAIR 25MM                                   | ●                      | ●      | ●     |        |        |      |     |
| 9             | 150-1791          | SPACER PAIR 50MM                                   | ●                      | ●      | ●     |        |        |      |     |
| 10            | 150-150010        | BASIC BACKREST FOAM (Small)                        | ●                      |        |       |        |        |      |     |
| 10            | 150-250010        | BASIC BACKREST FOAM (Medium)                       |                        | ●      |       |        |        |      |     |
| 10            | 150-350010        | BASIC BACKREST FOAM (Large)                        |                        |        | ●     |        |        |      |     |
| Full Assembly | 150-1625          | Small Basic Backrest Hardware and Foam (No Cover)  | ●                      |        |       |        |        |      |     |
| Full Assembly | 150-2625          | Medium Basic Backrest Hardware and Foam (No Cover) |                        | ●      |       |        |        |      |     |
| Full Assembly | 150-3625          | Large Basic Backrest Hardware and Foam (No Cover)  |                        |        | ●     |        |        |      |     |

# BeMe - Moderate Backrest



| Pos. | Leckey Sales Code | Description                   | Backrest Compatibility |        |       | Colour |        |      |     |
|------|-------------------|-------------------------------|------------------------|--------|-------|--------|--------|------|-----|
|      |                   |                               | Small                  | Medium | Large | Blue   | Purple | Grey | Red |
| 1    | 150-15001         | BACKREST LOWER FRAME (Small)  | ●                      |        |       |        |        |      |     |
| 1    | 150-25001         | BACKREST LOWER FRAME (Medium) |                        | ●      |       |        |        |      |     |
| 1    | 150-35001         | BACKREST LOWER FRAME (Large)  |                        |        | ●     |        |        |      |     |
| 2    | 150-15002         | BACKREST UPPER FRAME (Small)  | ●                      |        |       |        |        |      |     |
| 2    | 150-25002         | BACKREST UPPER FRAME (Medium) |                        | ●      |       |        |        |      |     |
| 2    | 150-35002         | BACKREST UPPER FRAME (Large)  |                        |        | ●     |        |        |      |     |
| 3    | 150-5213          | COMPLEX BACKREST CLAMP        | ●                      | ●      | ●     |        |        |      |     |
| 4    | 150-5003          | BASIC BACKREST CLAMP          | ●                      | ●      | ●     |        |        |      |     |
| 5    | 150-15215         | SACRAL SUPPORT (Small)        | ●                      |        |       |        |        |      |     |
| 5    | 150-25215         | SACRAL SUPPORT (Medium)       |                        | ●      |       |        |        |      |     |
| 5    | 150-35215         | SACRAL SUPPORT (Large)        |                        |        | ●     |        |        |      |     |
| 6    | 150-15216         | THORACIC SUPPORT (Small)      | ●                      |        |       |        |        |      |     |
| 6    | 150-25216         | THORACIC SUPPORT (Medium)     |                        | ●      |       |        |        |      |     |
| 6    | 150-35216         | THORACIC SUPPORT (Large)      |                        |        | ●     |        |        |      |     |
| 7    | 150-15217         | SHOULDER SUPPORT (Small)      | ●                      |        |       |        |        |      |     |
| 7    | 150-25217         | SHOULDER SUPPORT (Medium)     |                        | ●      |       |        |        |      |     |
| 7    | 150-35217         | SHOULDER SUPPORT (Large)      |                        |        | ●     |        |        |      |     |

# BeMe - Moderate Backrest

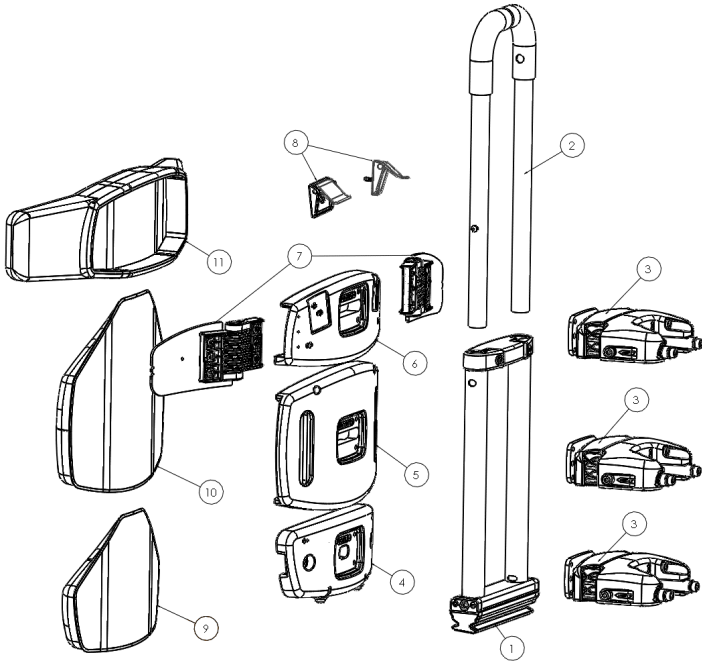
| Pos.           | Lecley Sales Code | Description                                       | Backrest Compatibility |        |       | Colour |        |      |     |
|----------------|-------------------|---|------------------------|--------|-------|--------|--------|------|-----|
|                |                   |   | Small                  | Medium | Large | Blue   | Purple | Grey | Red |
| 8              | 150-2633          | SHOULDER WING UPGRADE (Medium) - PAIR             |                        | ●      |       |        |        |      |     |
| 8              | 150-3633          | SHOULDER WING UPGRADE (Large) - PAIR              |                        |        | ●     |        |        |      |     |
| 9              | 150-25219         | BACKREST BUCKLE (Medium & Large)                  |                        | ●      | ●     |        |        |      |     |
| 10             | 150-152110        | BACKREST BUCKLE (Small)                           | ●                      |        |       |        |        |      |     |
| 11             | 150-152111-XX     | SACRAL COVER (Small)                              | ●                      |        |       | -02    | -04    | -08  | -09 |
| 11             | 150-252111-XX     | SACRAL COVER (Medium)                             |                        | ●      |       | -02    | -04    | -08  | -09 |
| 11             | 150-352111-XX     | SACRAL COVER (Large)                              |                        |        | ●     | -02    | -04    | -08  | -09 |
| 12             | 150-152112-XX     | THORACIC COVER (Small)                            | ●                      |        |       | -02    | -04    | -08  | -09 |
| 12             | 150-252112-XX     | THORACIC COVER (Medium)                           |                        | ●      |       | -02    | -04    | -08  | -09 |
| 12             | 150-352112-XX     | THORACIC COVER (Large)                            |                        |        | ●     | -02    | -04    | -08  | -09 |
| 13             | 150-152113-XX     | SHOULDER COVER (Small)                            | ●                      |        |       | -02    | -04    | -08  | -09 |
| 13             | 150-252113-XX     | SHOULDER COVER (Medium)                           |                        | ●      |       | -02    | -04    | -08  | -09 |
| 13             | 150-352113-XX     | SHOULDER COVER (Large)                            |                        |        | ●     | -02    | -04    | -08  | -09 |
| 14             | 150-252114-XX     | SHOULDER WITH WINGS COVER (Medium)                |                        | ●      |       | -02    | -04    | -08  | -09 |
| 14             | 150-352114-XX     | SHOULDER WITH WINGS COVER (Large)                 |                        |        | ●     | -02    | -04    | -08  | -09 |
| 15             | 150-1792          | 15 DEGREE ANGLE SPACER FOR MODERATE               | ●                      | ●      | ●     |        |        |      |     |
| Full Assembly  | 150-1630          | Small Moderate Backrest Hardware (No Upholstery)  | ●                      |        |       |        |        |      |     |
| Full Assembly  | 150-2630          | Medium Moderate Backrest Hardware (No Upholstery) |                        | ●      |       |        |        |      |     |
| Full Assembly  | 150-3630          | Large Moderate Backrest Hardware (No Upholstery)  |                        |        | ●     |        |        |      |     |
| Upholstery Set | 150-1800-XX       | Small Moderate Backrest Cushions and Covers       | ●                      |        |       | -02    | -04    | -08  | -09 |
| Upholstery Set | 150-2800-XX       | Medium Moderate Backrest Cushions and Covers      |                        | ●      |       | -02    | -04    | -08  | -09 |
| Upholstery Set | 150-3800-XX       | Large Moderate Backrest Cushions and Covers       |                        |        | ●     | -02    | -04    | -08  | -09 |

# BeMe - Complex Backrest

| Pos.          | Leckey Sales Code | Description                                    | Seat Compatibility |        |             |
|---------------|-------------------|--|--------------------|--------|-------------|
|               |                   |  | Small              | Medium | Medium-Long |
| 4             | 150-35154         | SPLIT Seat PLATE PAIR (Large)                  |                    |        |             |
| 4             | 150-45154         | SPLIT Seat PLATE PAIR (Medium-Long)            |                    |        | ●           |
| 4             | 150-55154         | SPLIT Seat PLATE PAIR (Large-Long)             |                    |        |             |
| Full Assembly | 150-2639          | Medium Split Seat hardware (no upholstery)     |                    |        |             |
| Full Assembly | 150-4639          | Medium-Long Split Seat hardware(no upholstery) |                    |        |             |
| Full Assembly | 150-3639          | Large Split Seat hardware (no upholstery)      |                    |        |             |

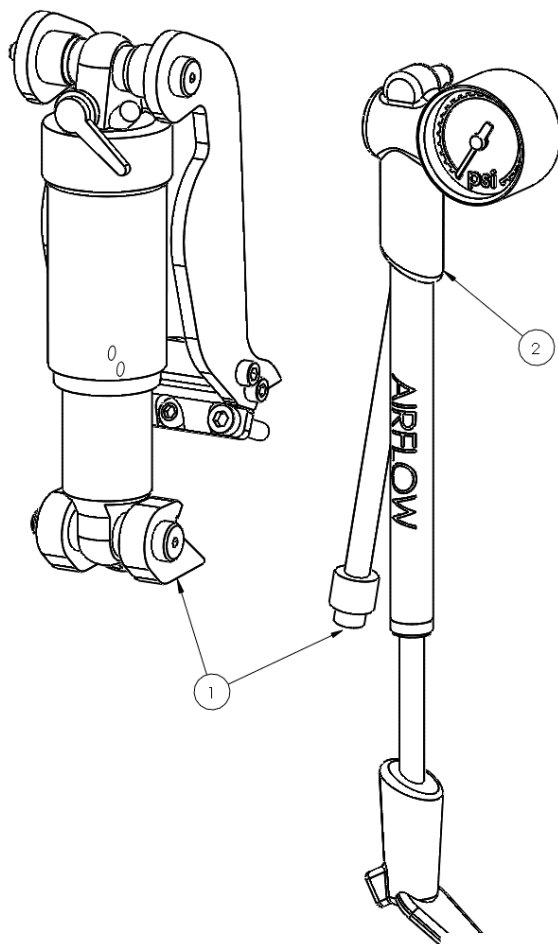
| Pos. | Leckey Sales Code | Description                   | Backrest Compatibility |       | Colour |        |      |     |
|------|-------------------|-------------------------------|------------------------|-------|--------|--------|------|-----|
|      |                   |                               | Medium                 | Large | Blue   | Purple | Grey | Red |
| 1    | 150-25001         | BACKREST LOWER FRAME (Medium) | ●                      |       |        |        |      |     |
| 1    | 150-35001         | BACKREST LOWER FRAME (Large)  |                        | ●     |        |        |      |     |
| 2    | 150-25002         | BACKREST UPPER FRAME (Medium) | ●                      |       |        |        |      |     |
| 2    | 150-35002         | BACKREST UPPER FRAME (Large)  |                        | ●     |        |        |      |     |
| 3    | 150-5213          | COMPLEX BACKREST CLAMP        | ●                      | ●     |        |        |      |     |
| 4    | 150-25215         | SACRAL SUPPORT (Medium)       | ●                      |       |        |        |      |     |
| 4    | 150-35215         | SACRAL SUPPORT (Large)        |                        | ●     |        |        |      |     |
| 5    | 150-25216         | THORACIC SUPPORT (Medium)     |                        | ●     |        |        |      |     |
| 5    | 150-35216         | THORACIC SUPPORT (Large)      |                        | ●     |        |        |      |     |
| 6    | 150-25217         | SHOULDER SUPPORT (Medium)     | ●                      |       |        |        |      |     |
| 6    | 150-35217         | SHOULDER SUPPORT (Large)      |                        | ●     |        |        |      |     |

# BeMe - Complex Backrest



| Pos.           | Leckey Sales Code | Description   | Backrest Compatibility |       | Colour |        |      |     |
|----------------|-------------------|---|------------------------|-------|--------|--------|------|-----|
|                |                   |   | Medium                 | Large | Blue   | Purple | Grey | Red |
| 7              | 150-2633          | SHOULDER WING UPGRADE (Medium) - PAIR               | ●                      |       |        |        |      |     |
| 7              | 150-3633          | SHOULDER WING UPGRADE (Large) - PAIR                |                        | ●     |        |        |      |     |
| 8              | 150-15219         | BACKREST BUCKLE (Medium & Large)                    | ●                      | ●     |        |        |      |     |
| 9              | 150-252111-XX     | SACRAL COVER (Medium)                               | ●                      |       | -02    | -04    | -08  | -09 |
| 9              | 150-352111-XX     | SACRAL COVER (Large)                                |                        | ●     | -02    | -04    | -08  | -09 |
| 10             | 150-252112-XX     | THORACIC COVER (Medium)                             |                        | ●     | -02    | -04    | -08  | -09 |
| 10             | 150-352112-XX     | THORACIC COVER (Large)                              |                        | ●     | -02    | -04    | -08  | -09 |
| 11             | 150-252113-XX     | SHOULDER WING UPGRADE COVER (Medium)                | ●                      |       | -02    | -04    | -08  | -09 |
| 11             | 150-352113-XX     | SHOULDER WING UPGRADE COVER (Large)                 |                        | ●     | -02    | -04    | -08  | -09 |
| Full Assembly  | 150-2631          | Medium Complex 3D Backrest Hardware (No Upholstery) | ●                      |       |        |        |      |     |
| Full Assembly  | 150-3631          | Large Complex 3D Backrest Hardware (No Upholstery)  |                        | ●     |        |        |      |     |
| Upholstery Set | 150-4800-XX       | Medium Complex Backrest Cushions and Covers         | ●                      |       | -02    | -04    | -08  | -09 |
| Upholstery Set | 150-5800-XX       | Large Complex Backrest Cushions and Covers          |                        | ●     | -02    | -04    | -08  | -09 |

# BeMe - Dynamics



| Pos. | Leckey Sales Code | Description                          | Seat Core Compatability |        |       |
|------|-------------------|--------------------------------------|-------------------------|--------|-------|
|      |                   |                                      | Small                   | Medium | Large |
| 1    | 150-605           | DYNAMIC UPGRADE KIT (INCLUDING PUMP) | ●                       | ●      | ●     |
| 2    | 150-5111          | BeMe DYNAMIC AIR PUMP                | ●                       | ●      | ●     |

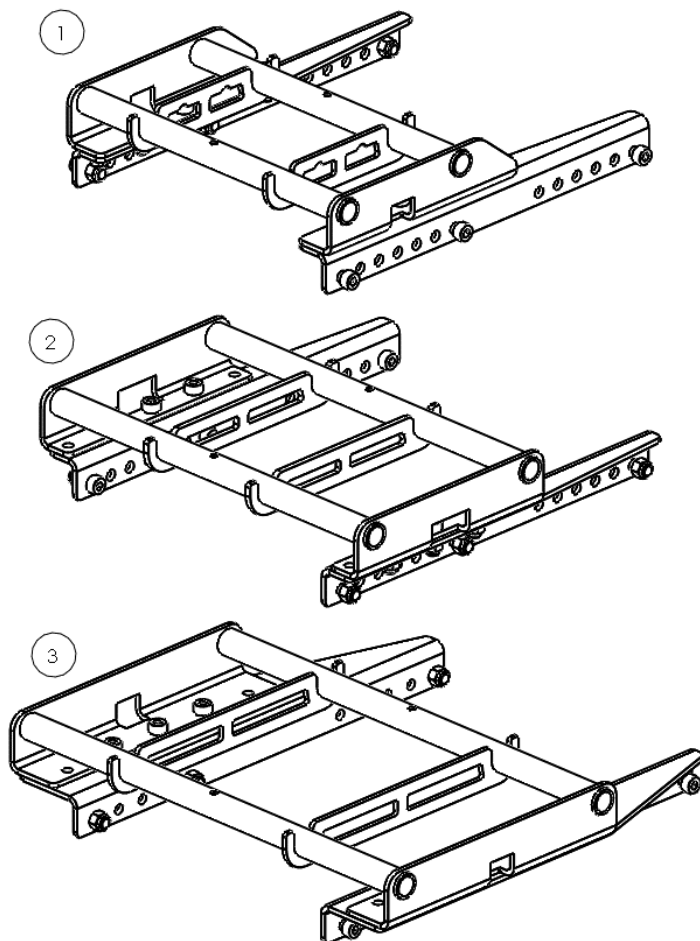


# BeMe - Sun Canopy

| Pos.          | Leckey Sales Code | Description  | Backrest Compatibility |        |       | Colour |        |      |     |
|---------------|-------------------|--|------------------------|--------|-------|--------|--------|------|-----|
|               |                   |  | Small                  | Medium | Large | Blue   | Purple | Grey | Red |
| 5             | 150-1870-XX       | BASIC BACKREST COVER (Small)                       | ●                      |        |       | -02    | -04    | -08  | -09 |
| 5             | 150-2870-XX       | BASIC BACKREST COVER (Medium)                      |                        | ●      |       | -02    | -04    | -08  | -09 |
| 5             | 150-3870-XX       | BASIC BACKREST COVER (Large)                       |                        |        | ●     | -02    | -04    | -08  | -09 |
| 6             | 150-15006         | BASIC BACKREST BUCKLE (Small)                      | ●                      |        |       |        |        |      |     |
| 6             | 150-25006         | BASIC BACKREST BUCKLE (Medium & Large)             |                        | ●      | ●     |        |        |      |     |
| 7             | 150-5007          | POPPERS FOR COVER                                  | ●                      | ●      | ●     |        |        |      |     |
| 8             | 150-1790          | SPACER PAIR 25MM                                   | ●                      | ●      | ●     |        |        |      |     |
| 9             | 150-1791          | SPACER PAIR 50MM                                   | ●                      | ●      | ●     |        |        |      |     |
| 10            | 150-150010        | BASIC BACKREST FOAM (Small)                        | ●                      |        |       |        |        |      |     |
| 10            | 150-250010        | BASIC BACKREST FOAM (Medium)                       |                        | ●      |       |        |        |      |     |
| 10            | 150-350010        | BASIC BACKREST FOAM (Large)                        |                        |        | ●     |        |        |      |     |
| Full Assembly | 150-1625          | Small Basic Backrest Hardware and Foam (No Cover)  | ●                      |        |       |        |        |      |     |
| Full Assembly | 150-2625          | Medium Basic Backrest Hardware and Foam (No Cover) |                        | ●      |       |        |        |      |     |
| Full Assembly | 150-3625          | Large Basic Backrest Hardware and Foam (No Cover)  |                        |        | ●     |        |        |      |     |

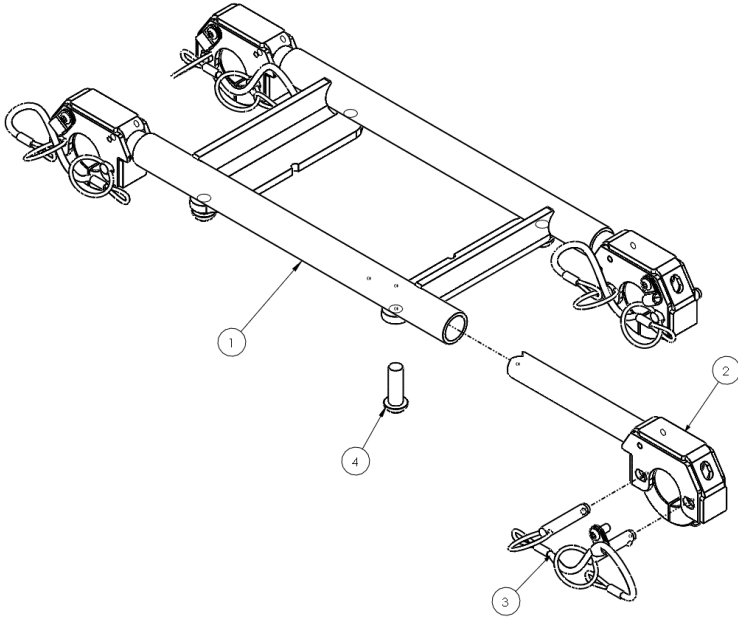
| Pos.          | Leckey Sales Code | Description                         | Backrest Compatibility |        |
|---------------|-------------------|-------------------------------------|------------------------|--------|
|               |                   |                                     | Small                  | Medium |
| 1             | 150-15191         | CANOPY FRAME (Small)                | ●                      |        |
| 1             | 150-25191         | CANOPY FRAME (Medium)               |                        | ●      |
| 2             | 150-15192         | CANOPY COVER                        | ●                      | ●      |
| Full Assembly | 150-1645          | Sun/Rain Canopy for Small Backrest  | ●                      |        |
| Full Assembly | 150-2645          | Sun/Rain Canopy for Medium Backrest |                        | ●      |

# BeMe - Power Wheelchair Interfaces



| Pos. | Leckey Sales Code | Description                                  | Seat Core Compatibility |        |       |
|------|-------------------|--|-------------------------|--------|-------|
|      |                   |  | Small                   | Medium | Large |
| 1    | 150-1771          | Interface for Small BeMe on to Q300          | ●                       |        |       |
| 2    | 150-2771          | Interface for Medium BeMe on to Q300 or Q400 |                         | ●      |       |
| 3    | 150-3771          | Interface for Large BeMe on to Q300 or Q400  |                         |        | ●     |

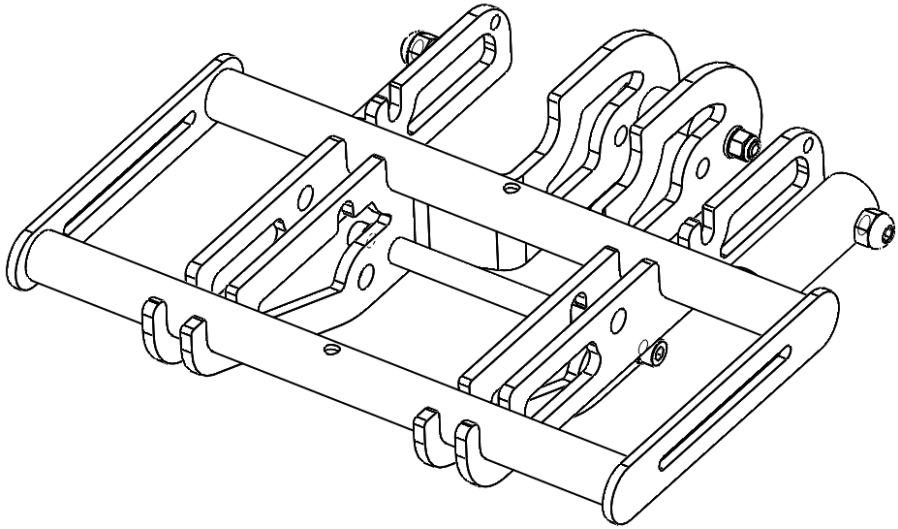
# BeMe - Manual Wheelchair Interface



| Pos.          | Leckey Sales Code | Description  | Seat Core Compatibility |        |       |
|---------------|-------------------|--|-------------------------|--------|-------|
|               |                   |  | Small                   | Medium | Large |
| 1             | 150-15311         | INTERFACE FRAME (Small BeMe)   | ●                       |        |       |
| 1             | 150-25311         | INTERFACE FRAME (Medium BeMe)  |                         | ●      |       |
| 1             | 150-35311         | INTERFACE FRAME (Large BeMe)   |                         |        | ●     |
| 2             | 150-15312         | INTERFACE ADJUSTER (Small BeMe)  | ●                       |        |       |
| 2             | 150-25312         | INTERFACE ADJUSTER (Medium BeMe)   |                         | ●      |       |
| 2             | 150-35312         | INTERFACE ADJUSTER (Large BeMe)  |                         |        | ●     |
| 3             | 194-850           | INTERFACE BOLT KIT (ALL INCLUDED)  | ●                       | ●      | ●     |
| 4             | 150-5314          | INTERFACE FRAME BOLT PACK  | ●                       | ●      | ●     |
| Full Assembly | 150-1760          | Interface for Small BeMe on to Zippie Iris, Quickie Iris, Quickie SR45   | ●                       |        |       |
| Full Assembly | 150-2760          | Interface for Medium BeMe on to Zippie Iris, Quickie Iris, Quickie SR45  |                         | ●      |       |
| Full Assembly | 150-3760          | Interface for Large BeMe on to Zippie Iris, Quickie Iris or Quickie SR45 |                         |        | ●     |

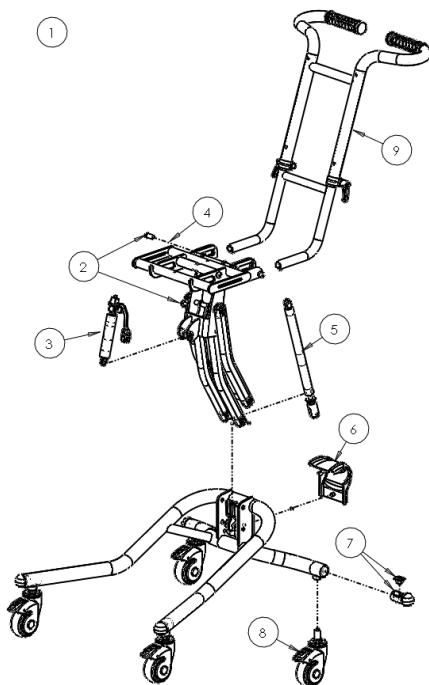
# BeMe - Small Core to Medium Chassis Interface

---



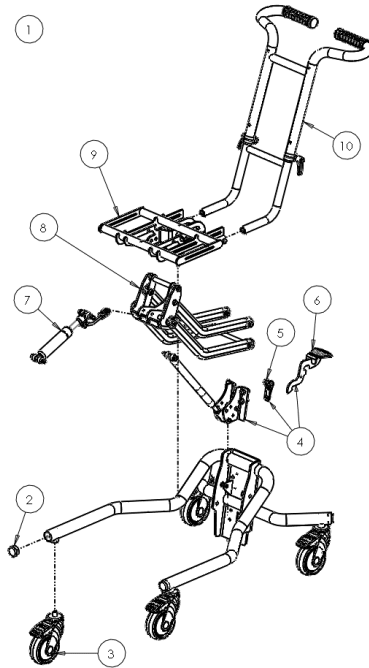
| Pos. | Leckey Sales Code | Description                            | Seat Core Compatability |        |       |
|------|-------------------|--|-------------------------|--------|-------|
|      |                   |  | Small                   | Medium | Large |
| 1    | 150-818           | Small Seat to Medium Chassis Interface | ●                       |        |       |

# BeMe - Small Manual (Gas Spring) Chassis



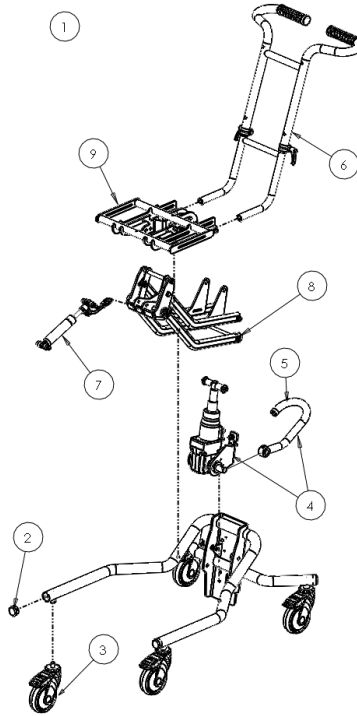
| Pos.          | Leckey Sales Code | Description   | Seat Core Compatibility |        |       |
|---------------|-------------------|---|-------------------------|--------|-------|
|               |                   |   | Small                   | Medium | Large |
| 1             | 150-1800-G        | Small Manual (Gas Spring) Chassis [Excluding Push Handle] | ●                       |        |       |
| 2             | 150-5232          | Chassis Arm Assy  | ●                       |        |       |
| 3             | 120-812           | Tilt Spring Assembly                                      | ●                       |        |       |
| 4             | SJ220             | M8x12 Button Head (Single)                                | ●                       |        |       |
| 5             | 120-811           | Lift Spring Assembly                                      | ●                       |        |       |
| 6             | 150-5236          | Chassis Rear Moulding                                     | ●                       |        |       |
| 7             | 118-161           | Castor Tube Insert Kit (Single)                           | ●                       |        |       |
| 8             | IA34              | 75Mm Castor Grey (Single)                                 | ●                       |        |       |
| 9             | 122-2710          | Extendable Push Handle                                    | ●                       |        |       |
| Full Assembly | 150-1800-G        | Small Manual (Gas Spring) High-Low Chassis                | ●                       |        |       |

# BeMe - Medium Manual (Gas Spring) Chassis



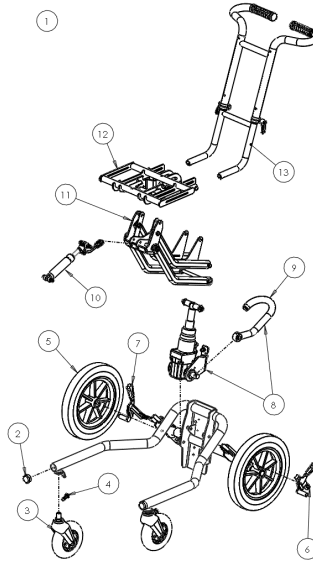
| Pos.          | Leckey Sales Code | Description  | Seat Core Compatibility |        |       |
|---------------|-------------------|--|-------------------------|--------|-------|
|               |                   |  | Small                   | Medium | Large |
| 1             | 150-2753-G        | Medium MANUAL (GAS SPRING) CHASSIS (EXCLUDING PUSH HANDLE) |                         | ●      |       |
| 2             | SH62              | 1 1/4" ROUND BLACK INSERT [4 PACK]                         |                         | ●      |       |
| 3             | IA13              | CASTOR [SINGLE]  |                         | ●      |       |
| 4             | 150-5244          | CHASSIS GAS SPRING - LIFT (Grey)                           |                         | ●      |       |
| 5             | 150-5245          | LOCKING PIN KIT (Grey)                                     |                         | ●      |       |
| 6             | 102-2692          | Long FOOT PEDAL  |                         | ●      |       |
| 7             | 117-937           | INTERFACE ARM LEVER - TILT                                 |                         | ●      |       |
| 8             | 150-5248          | LEVER ARM ASSEMBLY (Grey)                                  |                         | ●      |       |
| 9             | 150-5249          | HILO INTERFACE (Medium BeMe)                               |                         | ●      |       |
| 10            | 122-2710          | EXTENDABLE PUSH HANDLE                                     |                         | ●      |       |
| Full Assembly | 50-2753-G         | Medium Manual (Gas Spring) High-Low Chassis                |                         | ●      |       |

# BeMe - Medium Hydraulic Indoor Chassis



| Pos.          | Leckey Sales Code | Description   | Seat Core Compatibility |        |       |
|---------------|-------------------|---|-------------------------|--------|-------|
|               |                   |   | Small                   | Medium | Large |
| 1             | 150-2766-G        | Medium PUMP ACTION INDOOR CHASSIS (EXCLUDING PUSH HANDLE) |                         | ●      |       |
| 2             | SH62              | 1 1/4" ROUND BLACK INSERT [4 PACK]                        |                         | ●      |       |
| 3             | IA13              | CASTOR [SINGLE]   |                         | ●      |       |
| 4             | 150-5254          | OUTDOOR CHASSIS HYDRAULIC PACK - LIFT (Grey)              |                         | ●      |       |
| 5             | 150-5255          | HYDRAULIC FOOTPEDAL                                       |                         | ●      |       |
| 6             | 122-2710          | EXTENDABLE PUSH HANDLE                                    |                         | ●      |       |
| 7             | 117-937           | INTERFACE ARM LEVER - TILT                                |                         | ●      |       |
| 8             | 150-5258          | LEVER ARM (HYDRAULIC)                                     |                         | ●      |       |
| 9             | 150-5249          | HILO INTERFACE (Medium BeMe)                              |                         | ●      |       |
| Full Assembly | 150-2766-G        | Medium Pump Action (Hydraulic) High-Low Chassis           |                         | ●      |       |

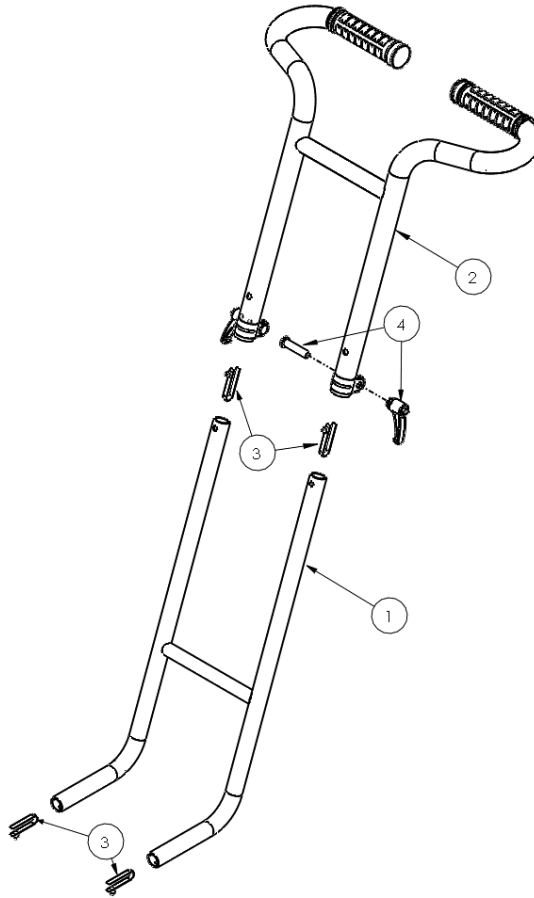
# BeMe - Medium Pump Action Hydraulic Outdoor Chassis



| Pos.          | Leckey Sales Code | Description  | Seat Core Compatibility |        |       |
|---------------|-------------------|--|-------------------------|--------|-------|
|               |                   |  | Small                   | Medium | Large |
| 1             | 150-2768-G        | Medium Pump Action Hydraulic Outdoor Chassis (Excluding Push Handle) |                         | ●      |       |
| 2             | SH62              | 1 1/4" ROUND BLACK INSERT [4 PACK]                                   |                         | ●      |       |
| 3             | 133-2084          | 150mm Front Castor [Single]  |                         | ●      |       |
| 4             | IA19              | Lock Pin [Single]  |                         | ●      |       |
| 5             | 133-2087          | 315mm Rear Wheel [Single]  |                         | ●      |       |
| 6             | 133-2085          | LH Brake Assy  |                         | ●      |       |
| 7             | 133-2086          | RH Brake Assy  |                         | ●      |       |
| 8             | 150-5254          | Outdoor Chassis Hydraulic Pack - Lift (Grey)                         |                         | ●      |       |
| 9             | 150-5255          | Hydraulic Footpedal  |                         | ●      |       |
| 10            | 117-937           | Interface Arm Lever - Tilt   |                         | ●      |       |
| 11            | 150-5258          | Lever Arm (Hydraulic)  |                         | ●      |       |
| 12            | 150-5249          | Hilo Interface (Medium Beme)   |                         | ●      |       |
| 13            | 122-2710-G        | Extendable Push Handle   |                         | ●      |       |
| Full Assembly | 150-2768-G        | Medium Pump Action (Hydraulic) Outdoor High-Low Chassis              |                         | ●      |       |

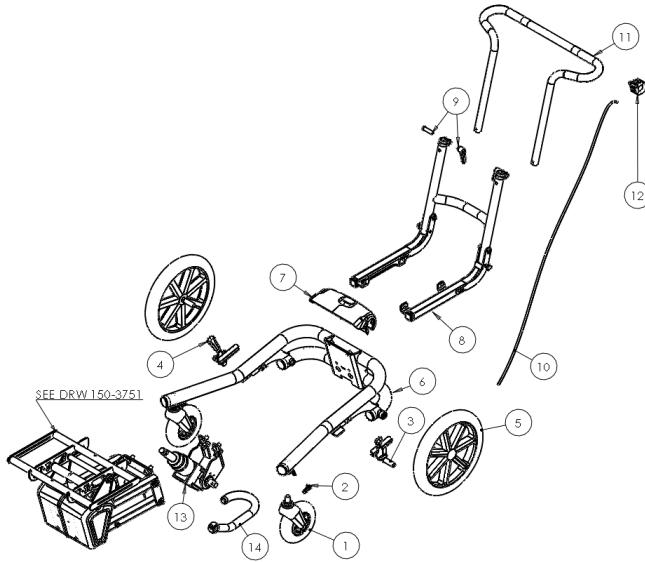


# BeMe - Extendable Push Handle



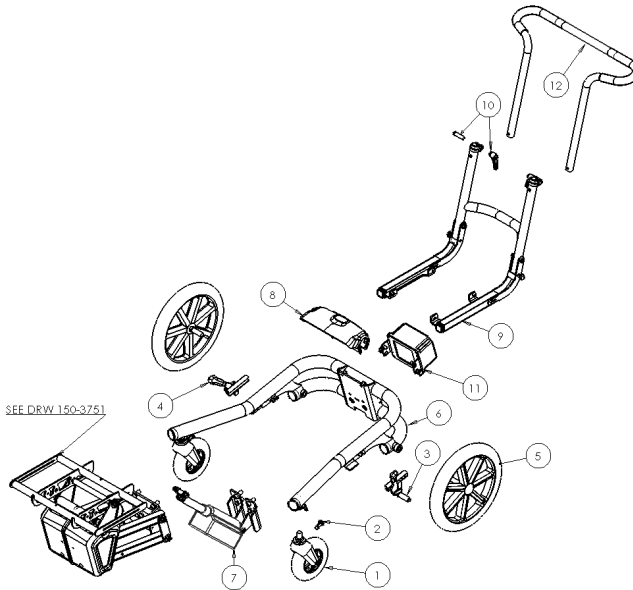
| Pos.          | Leckey Sales Code | Description                              | Chassis Compatibility |        |       |
|---------------|-------------------|--|-----------------------|--------|-------|
|               |                   |  | Small                 | Medium | Large |
| 1             | 150-5321          | Extendable Handle Lower Assembly         | ●                     | ●      |       |
| 2             | 150-5322          | Extendable Handle Upper Assembly         | ●                     | ●      |       |
| 3             | 150-5323          | Extendable Handle Popper Pack            | ●                     | ●      |       |
| 4             | 150-5324          | Ratchet Handle Pair                      | ●                     | ●      |       |
| Full Assembly | 122-2710          | Push Handle for Small and Medium Chassis | ●                     | ●      |       |

# BeMe - Large Hydraulic Chassis



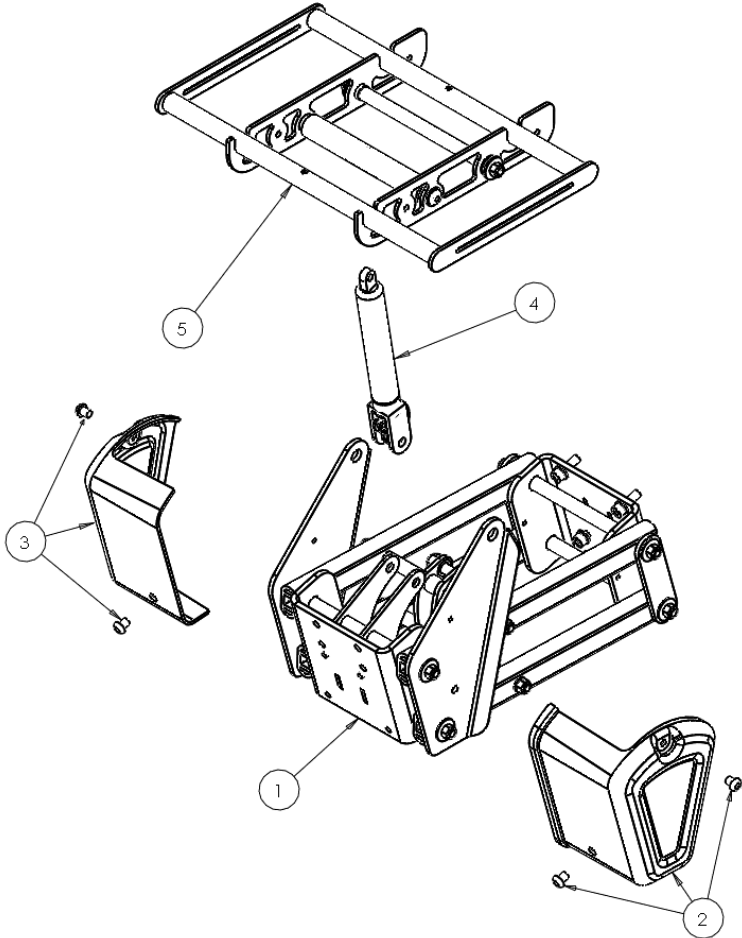
| Pos.          | Leckey Sales Code | Description  | Seat Core Compatibility |        |       |
|---------------|-------------------|--|-------------------------|--------|-------|
|               |                   |  | Small                   | Medium | Large |
| 1             | 133-2084          | Front Castor Assy  |                         |        | ●     |
| 2             | IA19              | Lock Pin   |                         |        | ●     |
| 3             | 133-2085          | Brake Assy LH  |                         |        | ●     |
| 4             | 133-2086          | Brake Assy RH  |                         |        | ●     |
| 5             | 133-2087          | Rear Wheel Assy  |                         |        | ●     |
| 6             | 150-5276          | Chassis Frame  |                         |        | ●     |
| 7             | 133-2090          | Rear Cover   |                         |        | ●     |
| 8             | 150-5278          | Lower Pushbar Assy   |                         |        | ●     |
| 9             | 133-2092          | Pushbar Clamp  |                         |        | ●     |
| 10            | 150-52710         | Cable  |                         |        | ●     |
| 11            | 133-2093          | Upper Pushbar  |                         |        | ●     |
| 12            | 150-52712         | Lever  |                         |        | ●     |
| 13            | 150-52713         | Power Packer   |                         |        | ●     |
| 14            | 150-52714         | Tube Pedal   |                         |        | ●     |
| Full Assembly | 150-3770-G        | Large Pump Action (Hydraulic) Outdoor High-Low Chassis including Push Handle |                         |        | ●     |

# BeMe - Large Power Chassis



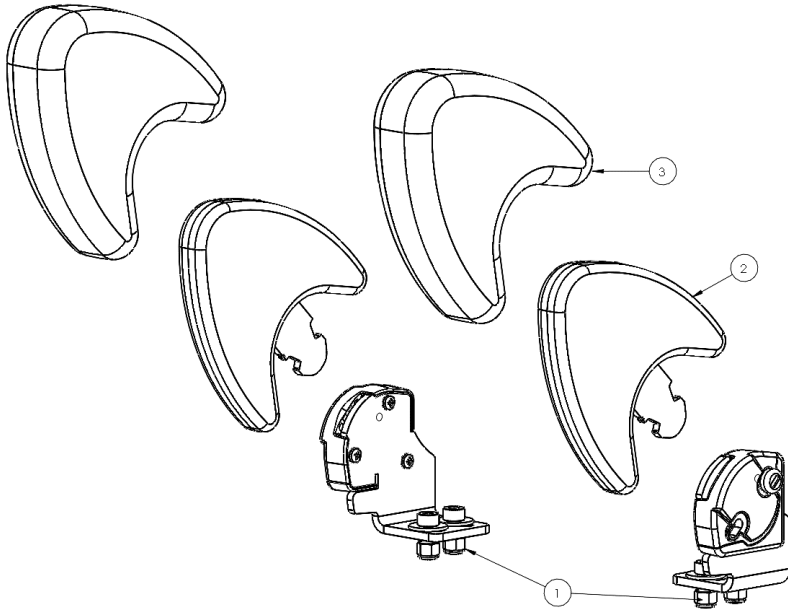
| Pos.          | Leckey Sales Code | Description   | Seat Core Compatibility |        |       |
|---------------|-------------------|---|-------------------------|--------|-------|
|               |                   |   | Small                   | Medium | Large |
| 1             | 133-2084          | Front Castor Assy   |                         |        | ●     |
| 2             | IA19              | Lock Pin  |                         |        | ●     |
| 3             | 133-2085          | Brake Assy LH   |                         |        | ●     |
| 4             | 133-2086          | Brake Assy RH   |                         |        | ●     |
| 5             | 133-2087          | Rear Wheel Assy   |                         |        | ●     |
| 6             | 150-5276          | Chassis Frame   |                         |        | ●     |
| 7             | 150-5297          | Power Assy  |                         |        | ●     |
| 8             | 133-2090          | Rear Cover  |                         |        | ●     |
| 9             | 150-5278          | Lower Pushbar Assy  |                         |        | ●     |
| 10            | 133-2092          | Pushbar Clamp   |                         |        | ●     |
| 11            | 150-5295          | Battery Box   |                         |        | ●     |
| 12            | 133-2093          | Upper Pushbar   |                         |        | ●     |
| Charger       | SI124             | Universal Battery Charge                                      |                         |        | ●     |
| Full Assembly | 150-3780-G        | Large Electric Outdoor High-Low Chassis including Push Handle |                         |        | ●     |

# BeMe - Large Chassis Interface (150-3751)



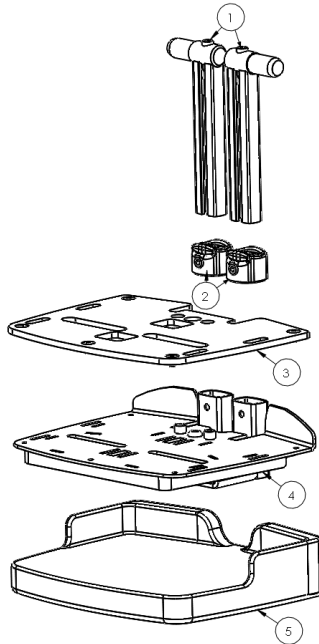
| Pos.          | Leckey Sales Code | Description             | Seat Core Compatibility |        |       |
|---------------|-------------------|-------------------------|-------------------------|--------|-------|
|               |                   |                         | Small                   | Medium | Large |
| 1             | 150-5281          | HiLo Hydraulic Assembly |                         |        | ●     |
| 2             | 133-2096          | Front Cover LH          |                         |        | ●     |
| 3             | 133-2097          | Front Cover RH          |                         |        | ●     |
| 4             | 150-5284          | Gas Spring Assembly     |                         |        | ●     |
| 5             | 150-5285          | BeMe Interface          |                         |        | ●     |
| Full Assembly | 150-3751          | Large Chassis Interface |                         |        | ●     |

# BeMe - Femoral Gables and Receivers



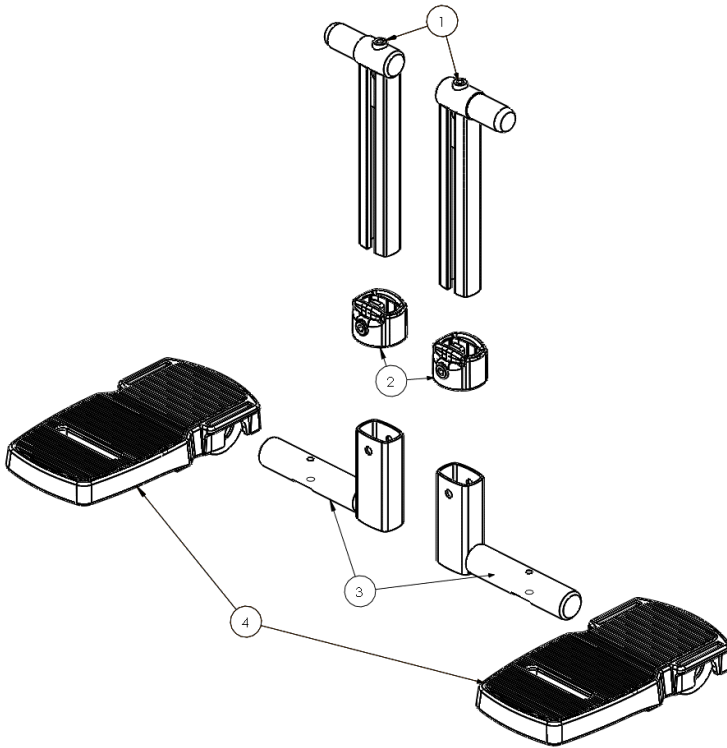
| Pos. | Leckey Sales Code | Description                                     | Seat Core Compatibility |        |             |       |            |
|------|-------------------|---|-------------------------|--------|-------------|-------|------------|
|      |                   |   | Small                   | Medium | Medium-Long | Large | Large-Long |
| 1    | 150-15142         | GABLE RECEIVER PAIR (Small)                     | ●                       |        |             |       |            |
| 1    | 150-25142         | GABLE RECEIVER PAIR (Medium)                    |                         | ●      | ●           |       |            |
| 1    | 150-35142         | GABLE RECEIVER PAIR (Large)                     |                         |        |             | ●     | ●          |
| 2    | 150-1615          | SINGLE FEMORAL GABLE (Small)                    | ●                       | ●      | ●           | ●     | ●          |
| 2    | 150-2615          | SINGLE FEMORAL GABLE (Medium)                   | ●                       | ●      | ●           | ●     | ●          |
| 2    | 150-3615          | SINGLE FEMORAL GABLE (Large)                    | ●                       | ●      | ●           | ●     | ●          |
| 2    | 150-4615          | SINGLE FEMORAL GABLE (X-Large)                  | ●                       | ●      | ●           | ●     | ●          |
| 3    | 150-1862          | SINGLE PADDED COVER FOR FEMORAL GABLE (Small)   | ●                       | ●      | ●           | ●     | ●          |
| 3    | 150-2862          | SINGLE PADDED COVER FOR FEMORAL GABLE (Medium)  | ●                       | ●      | ●           | ●     | ●          |
| 3    | 150-3862          | SINGLE PADDED COVER FOR FEMORAL GABLE (Large)   | ●                       | ●      | ●           | ●     | ●          |
| 3    | 150-4862          | SINGLE PADDED COVER FOR FEMORAL GABLE (X-Large) | ●                       | ●      | ●           | ●     | ●          |

# BeMe - One-Piece Footplate



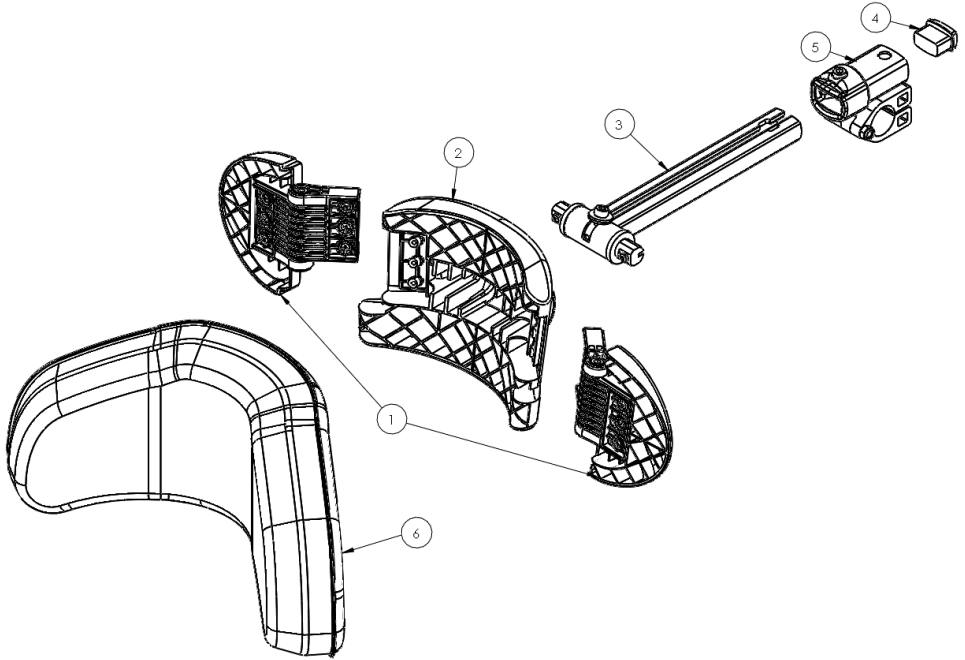
| Pos.          | Leckey Sales Code | Description                                 |
|---------------|-------------------|---|
| 1             | 150-15121         | Footplate Stem Pair (Small)                 |
| 1             | 150-25121         | Footplate Stem Pair (Medium)                |
| 1             | 150-35121         | Footplate Stem Pair (Large)                 |
| 2             | 150-5122          | Stem Receiver Pair                          |
| 3             | 150-15123         | One-Piece Footplate Pu Topper Pair (Small)  |
| 3             | 150-25123         | One-Piece Footplate Pu Topper Pair (Medium) |
| 3             | 150-35123         | One-Piece Footplate Pu Topper Pair (Large)  |
| 4             | 150-15124         | One-Piece Footplate Base Plate (Small)      |
| 4             | 150-25124         | One-Piece Footplate Base Plate (Medium)     |
| 4             | 150-35124         | One-Piece Footplate Base Plate (Large)      |
| 5             | 150-1872          | One-Piece Footplate Cover (Small)           |
| 5             | 150-2872          | One-Piece Footplate Cover (Medium)          |
| 5             | 150-3872          | One-Piece Footplate Cover (Large)           |
| Full Assembly | 150-1698          | One Piece Footplate - Small                 |
| Full Assembly | 150-2698          | One Piece Footplate - Medium                |
| Full Assembly | 150-3698          | One Piece Footplate - Large                 |

# BeMe - Split Footplate



| Pos.          | Leckey Sales Code | Description                             |
|---------------|-------------------|---|
| 1             | 150-15121         | FOOTPLATE STEM PAIR [Small]             |
| 1             | 150-25121         | FOOTPLATE STEM PAIR [Medium]            |
| 1             | 150-35121         | FOOTPLATE STEM PAIR [Large]             |
| 2             | 150-5122          | STEM RECEIVER PAIR                      |
| 3             | 150-15133         | LOWER LEG SUPPORT PAIR [Small]          |
| 3             | 150-25133         | LOWER LEG SUPPORT PAIR [Medium & Large] |
| 4             | 150-5134          | FOOTPLATE                               |
| Full Assembly | 150-1689          | Split Footplate Small (Left and Right)  |
| Full Assembly | 150-2689          | Split Footplate Medium (Left and Right) |
| Full Assembly | 150-3689          | Split Footplate Large (Left and Right)  |

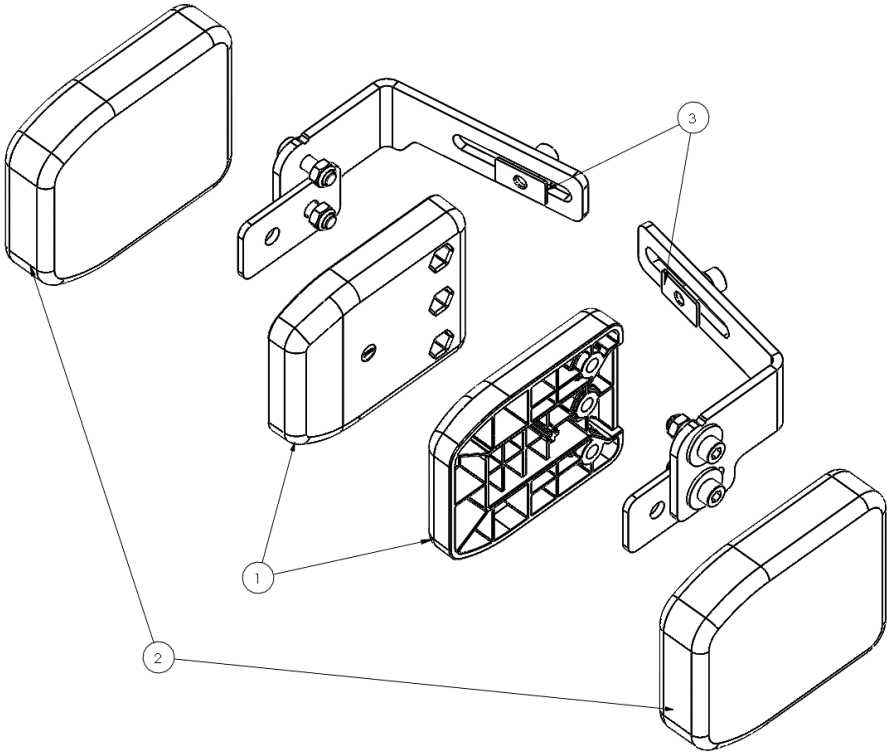
# BeMe - Headrest



| Pos.          | Leckey Sales Code | Description   | Seat Core Compatability |        |       | Colour |        |      |     |
|---------------|-------------------|---|-------------------------|--------|-------|--------|--------|------|-----|
|               |                   |   | Small                   | Medium | Large | Blue   | Purple | Grey | Red |
| 1             | 150-5091          | Headrest Wing Pair  | ●                       | ●      | ●     |        |        |      |     |
| 2             | 150-5092          | Headrest Central Moulding                                     | ●                       | ●      | ●     |        |        |      |     |
| 3             | 150-5093          | Headrest Bar  | ●                       | ●      | ●     |        |        |      |     |
| 4             | 150-5094          | Headrest End Cap  | ●                       | ●      | ●     |        |        |      |     |
| 5             | 150-5095          | Headrest Clamp  | ●                       | ●      | ●     |        |        |      |     |
| 6             | 150-855-XX        | Headrest Cover  | ●                       | ●      | ●     | -02    | -04    | -08  | -09 |
| Full Assembly | 150-676           | Beme Headrest (No Upholstery)                                 | ●                       | ●      | ●     |        |        |      |     |
| Not Shown     | 150-781           | Universal Headrest Bracket (Whitmyer Pro Or Leckey Headrests) | ●                       | ●      | ●     |        |        |      |     |

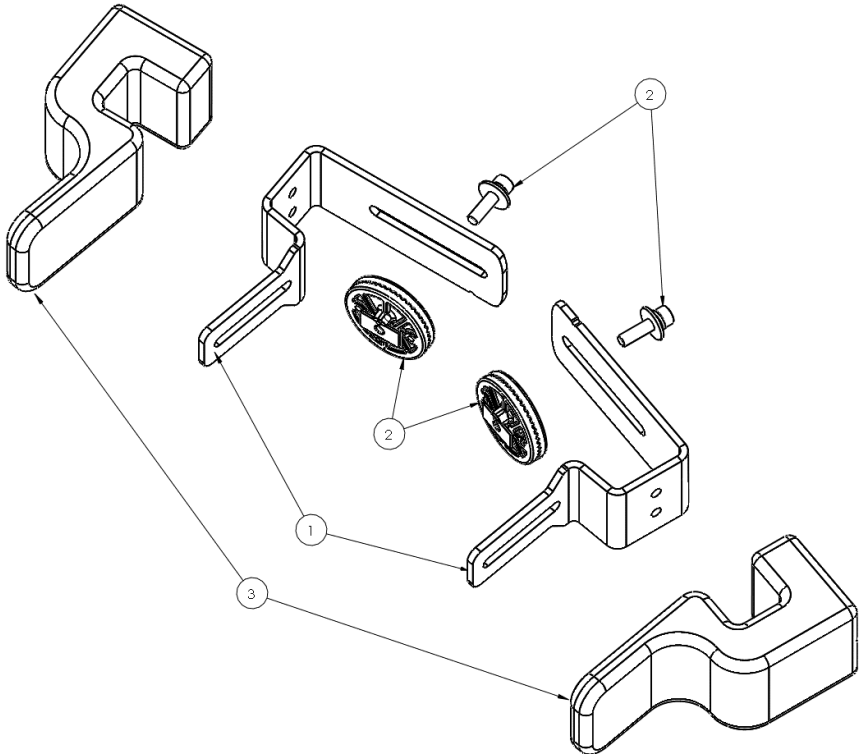


# BeMe - Hip Guides



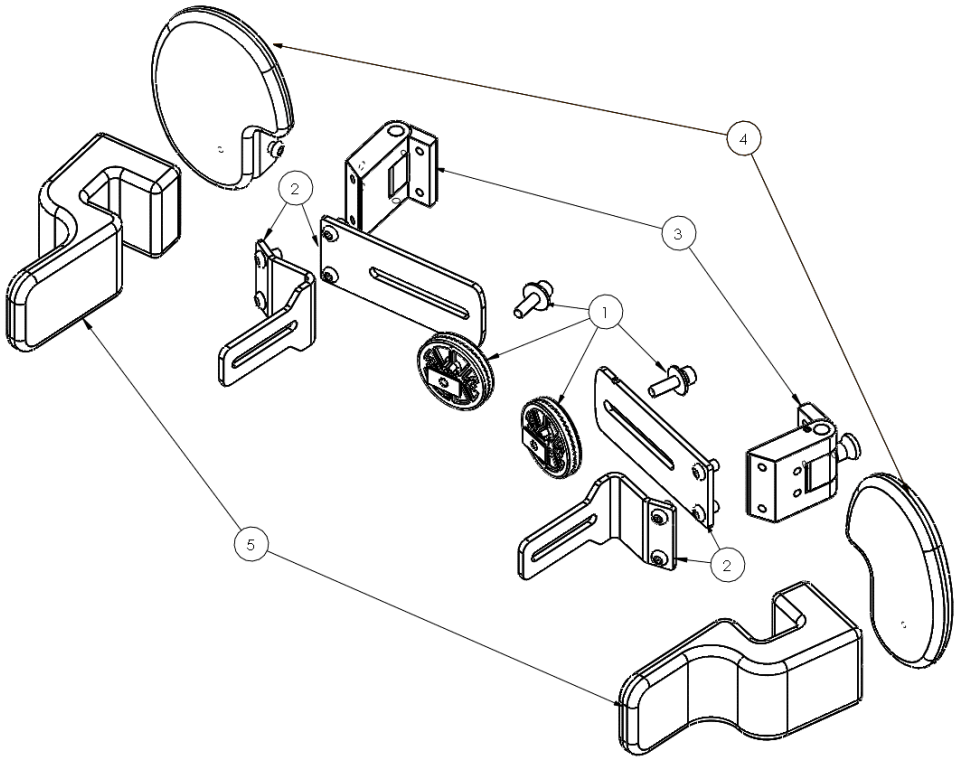
| Pos.          | Leckey Sales Code | Description                     |
|---------------|-------------------|---------------------------------|
| 1             | 150-15081         | Hip Guide Moulding (Small)      |
| 1             | 150-25081         | Hip Guide Moulding (Medium)     |
| 1             | 150-35081         | Hip Guide Moulding (Large)      |
| 2             | 150-15082         | Hip Guide Cover (Small)         |
| 2             | 150-25082         | Hip Guide Cover (Medium)        |
| 2             | 150-35082         | Hip Guide Cover (Large)         |
| 3             | 150-15083         | Hip Guide Bracket Pair (Small)  |
| 3             | 150-25083         | Hip Guide Bracket Pair (Medium) |
| 3             | 150-35083         | Hip Guide Bracket Pair (Large)  |
| Full Assembly | 150-1684          | Small Hip Guide (Pair)          |
| Full Assembly | 150-2684          | Medium Hip Guide (Pair)         |
| Full Assembly | 150-3684          | Large Hip Guide (Pair)          |

# BeMe - Rigid Lateral Brackets



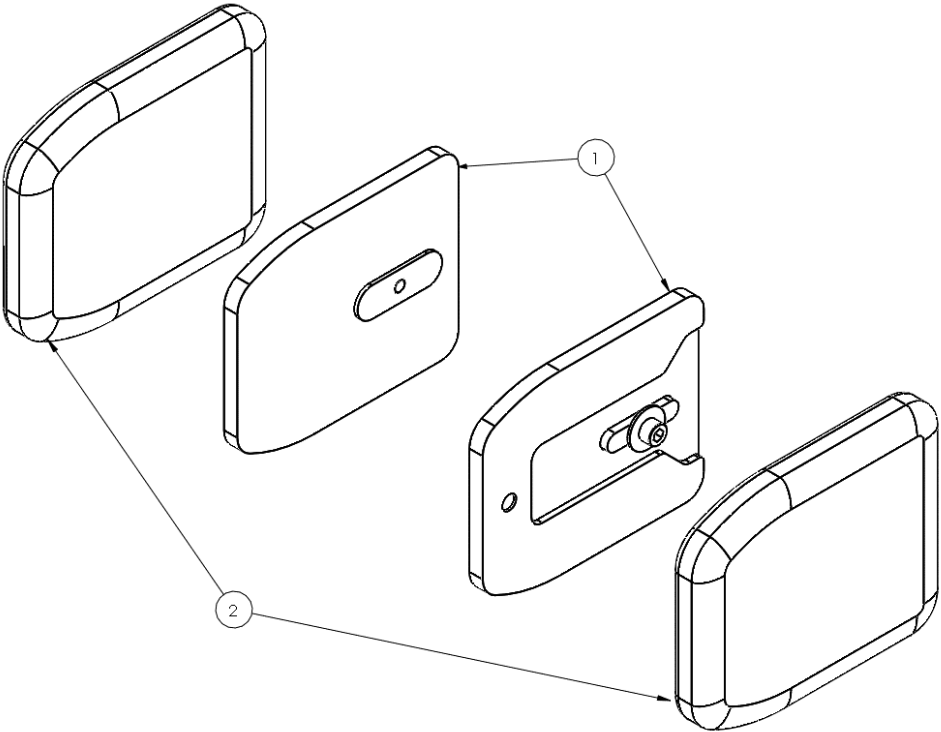
| Pos.          | Leckey Sales Code | Description   | Backrest Compatibility |        |       |
|---------------|-------------------|---|------------------------|--------|-------|
|               |                   |   | Small                  | Medium | Large |
| 1             | 150-15061         | Lateral Bracket (Small/Medium)                              | ●                      | ●      |       |
| 1             | 150-35061         | Lateral Bracket (Large)                                     |                        |        | ●     |
| 2             | 150-15071         | Angle Moulding  | ●                      | ●      | ●     |
| 3             | 150-15062         | Lateral Bracket Cover                                       | ●                      | ●      | ●     |
| Full Assembly | 150-1651          | Rigid Lateral Bracket For Size Small/Medium Backrests(Pair) | ●                      | ●      |       |
| Full Assembly | 150-3651          | Rigid Lateral Bracket For Large Backrests (Pair)            |                        |        | ●     |
| Not Shown     | 150-673           | Lateral Protraction Pad                                     | ●                      | ●      | ●     |
| Not Shown     | 150-816           | Protraction Pad Cover Only                                  | ●                      | ●      | ●     |

# BeMe - Flipaway Lateral Brackets



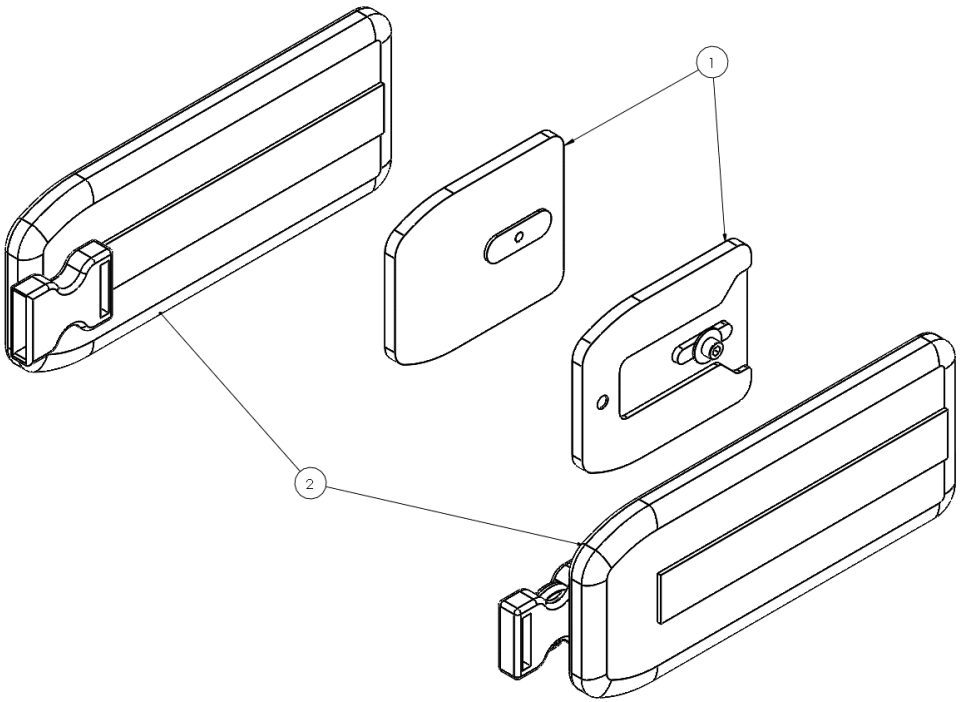
| Pos.          | Leckey Sales Code | Description  | Backrest Compatibility |        |       |
|---------------|-------------------|--|------------------------|--------|-------|
|               |                   |  | Small                  | Medium | Large |
| 1             | 150-15071         | Angle Moulding   | ●                      | ●      | ●     |
| 2             | 150-15072         | Flipaway Bracket Plates (Small/Medium)                     | ●                      | ●      |       |
| 2             | 150-35072         | Flipaway Bracket Plates (Large)                            |                        |        | ●     |
| 3             | 150-15073         | Flipaway Mechanism   | ●                      | ●      | ●     |
| 4             | 150-673           | Lateral Protraction Pad                                    | ●                      | ●      | ●     |
| 4             | 150-1850          | Protraction Pad Cover Only                                 | ●                      | ●      | ●     |
| 5             | 150-15062         | Lateral Bracket Cover                                      | ●                      | ●      | ●     |
| Full Assembly | 150-1655          | FlipAway Lateral Bracket for Small/Medium Backrests (Pair) | ●                      | ●      |       |
| Full Assembly | 150-3655          | FlipAway Lateral Bracket for Large Backrests (Pair)        |                        |        | ●     |

# BeMe - Slim Lateral Pad



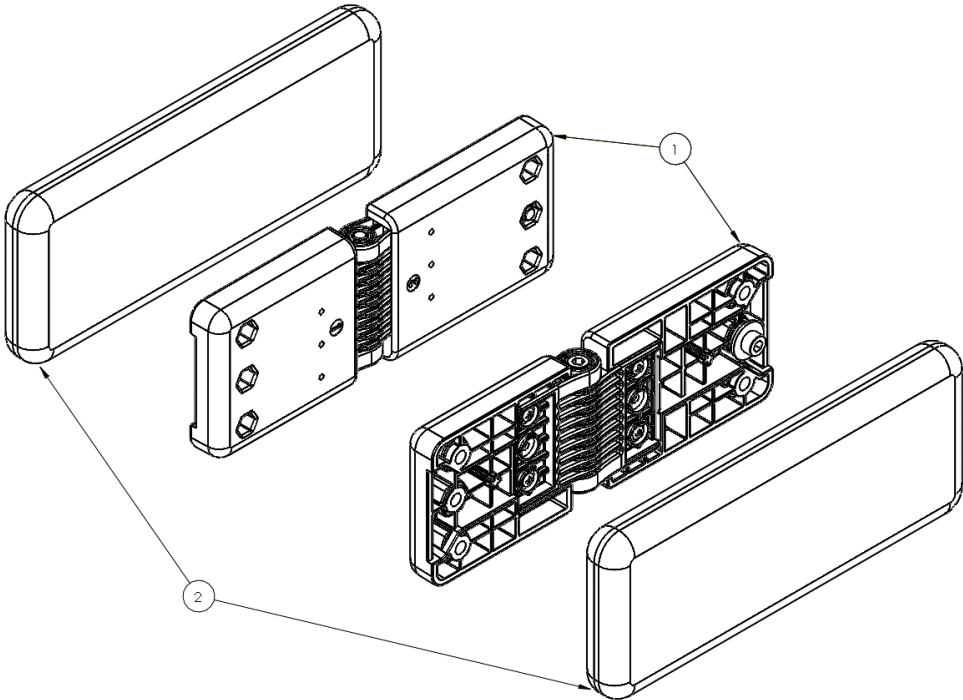
| Pos.          | Leckey Sales Code | Description                         |
|---------------|-------------------|-------------------------------------|
| 1             | 150-15041         | Basic Slim Lateral Pad (Small)      |
| 1             | 150-25041         | Basic Slim Lateral Pad (Medium)     |
| 1             | 150-35041         | Basic Slim Lateral Pad (Large)      |
| 2             | 150-15042         | Slim Lateral Cover (Small)          |
| 2             | 150-25042         | Slim Lateral Cover (Medium)         |
| 2             | 150-35042         | Slim Lateral Cover (Large)          |
| Full Assembly | 150-1675          | Size 1 Slimline Lateral Pads (Pair) |
| Full Assembly | 150-2675          | Size 2 Slimline Lateral Pads (Pair) |
| Full Assembly | 150-3675          | Size 3 Slimline Lateral Pads (Pair) |

# BeMe - Wraparound Hugging Lateral Pads



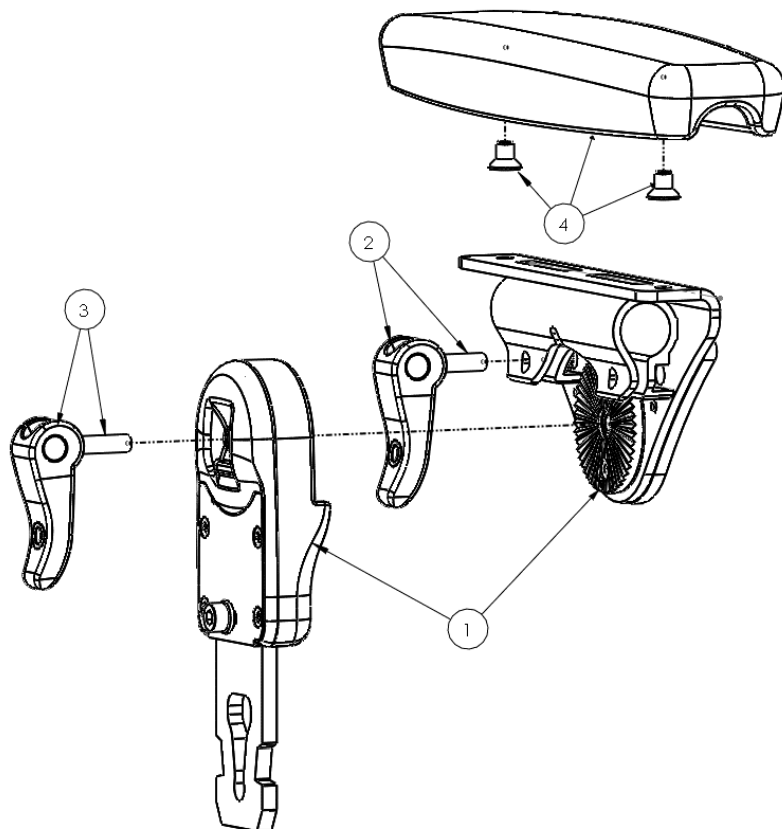
| Pos.          | Leckey Sales Code | Description                                   |
|---------------|-------------------|---|
| 1             | 150-15041         | Basic Slim Lateral Pad (Small)                |
| 2             | 150-15302         | Flexi Lateral Cover (Small)                   |
| 2             | 150-25302         | Flexi Lateral Cover (Medium)                  |
| Full Assembly | 150-1260          | Small Wraparound Hugging Lateral Pads (Pair)  |
| Full Assembly | 150-2260          | Medium Wraparound Hugging Lateral Pads (Pair) |

# BeMe - Hinged Lateral Pad



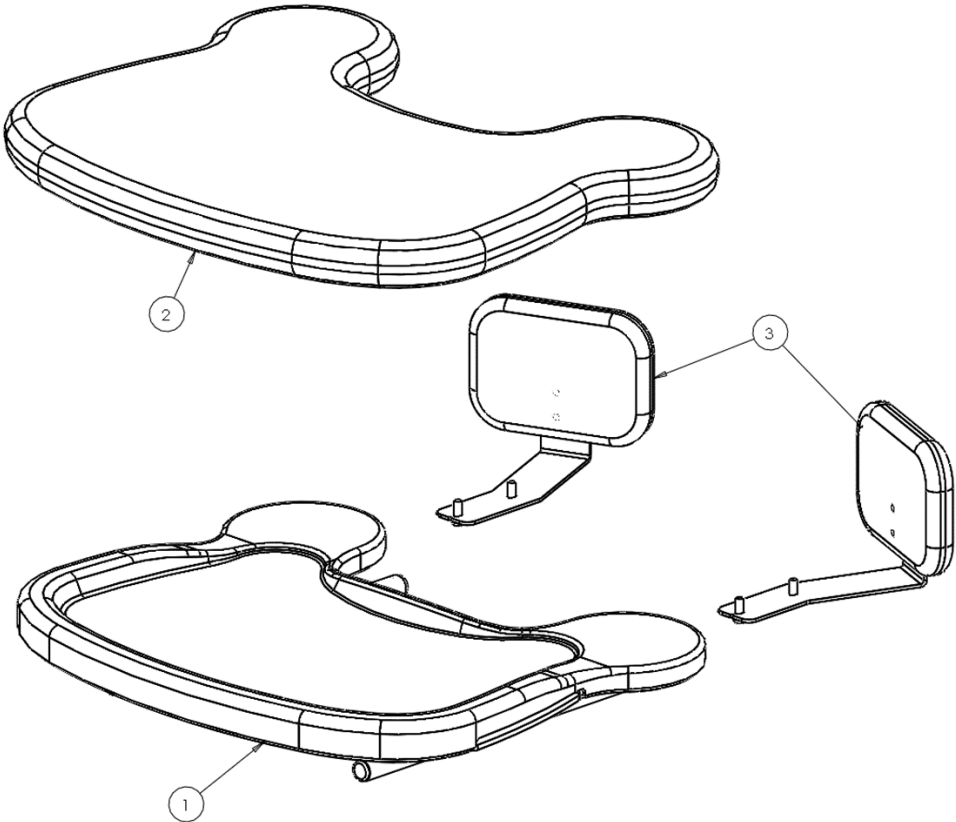
| Pos.          | Leckey Sales Code | Description                             |
|---------------|-------------------|---|
| 1             | 150-15051         | Hinged Lateral Pad (Small/Medium)       |
| 1             | 150-35051         | Hinged Lateral Pad (Large)              |
| 2             | 150-15052         | Hinged Lateral Pad Cover (Small/Medium) |
| 2             | 150-35052         | Hinged Lateral Pad Cover (Large)        |
| Full Assembly | 150-1653          | Hinged Lateral Pad Small (Pair)         |
| Full Assembly | 150-3653          | Hinged Lateral Pad Large (Pair)         |

# BeMe - Armrest



| Pos.          | Leckey Sales Code | Description                    |
|---------------|-------------------|--------------------------------|
| 1             | 150-15201         | Tray Receiver And Stem (Small) |
| 1             | 150-25201         | Tray Receiver And Stem (Large) |
| 2             | 150-15202         | Tray Receiver Camlock          |
| 3             | 150-15203         | Stem Camlock Assembly          |
| 4             | 150-15204         | Armrest Pu (Small)             |
| 4             | 150-25204         | Armrest Pu (Large)             |
| Full Assembly | 150-1642          | Small Armrest                  |
| Full Assembly | 150-2642          | Large Armrest                  |

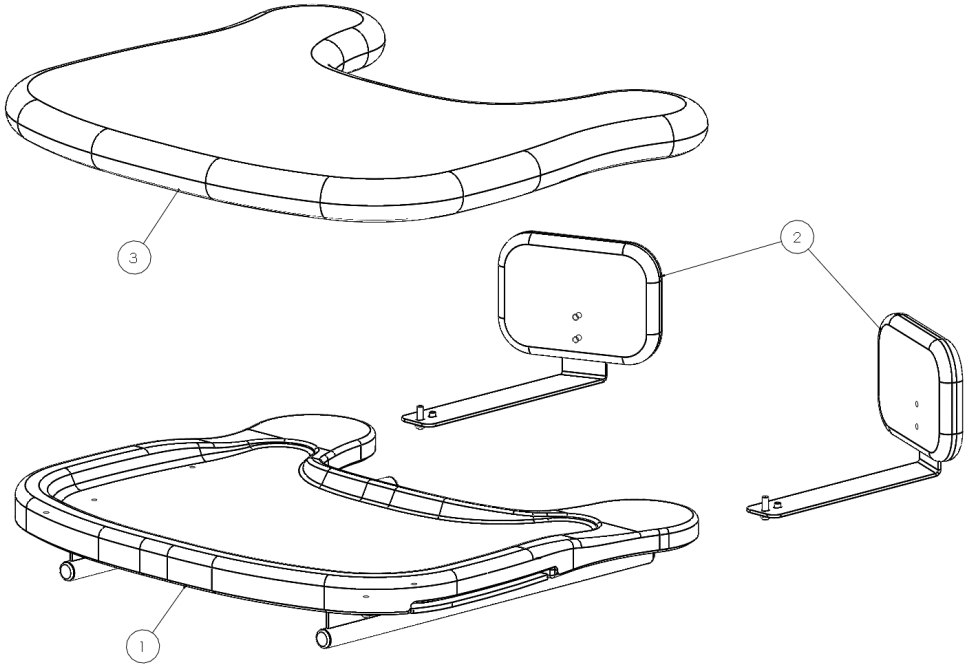
# BeMe - Size 1 Tray



| Pos. | Leckey Sales Code | Description                 | Compatible With |        |       |
|------|-------------------|-----------------------------|-----------------|--------|-------|
|      |                   |                             | Small           | Medium | Large |
| 1    | 150-1720          | Tray (Small)                | ●               |        |       |
| 2    | 150-1888          | Padded Tray Cover (Small)   | ●               |        |       |
| 3    | 150-1671          | Tray Elbow Blockers (Small) | ●               |        |       |

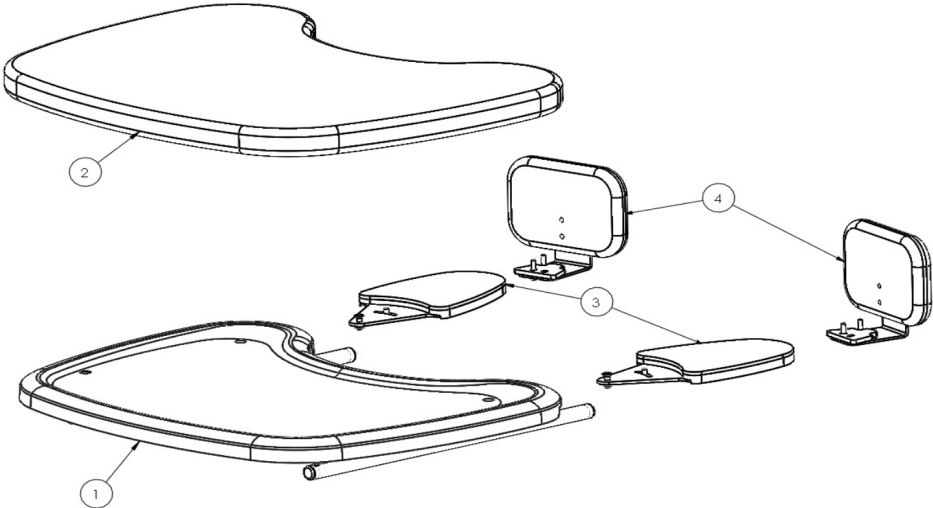


# BeMe - Size 2 Tray



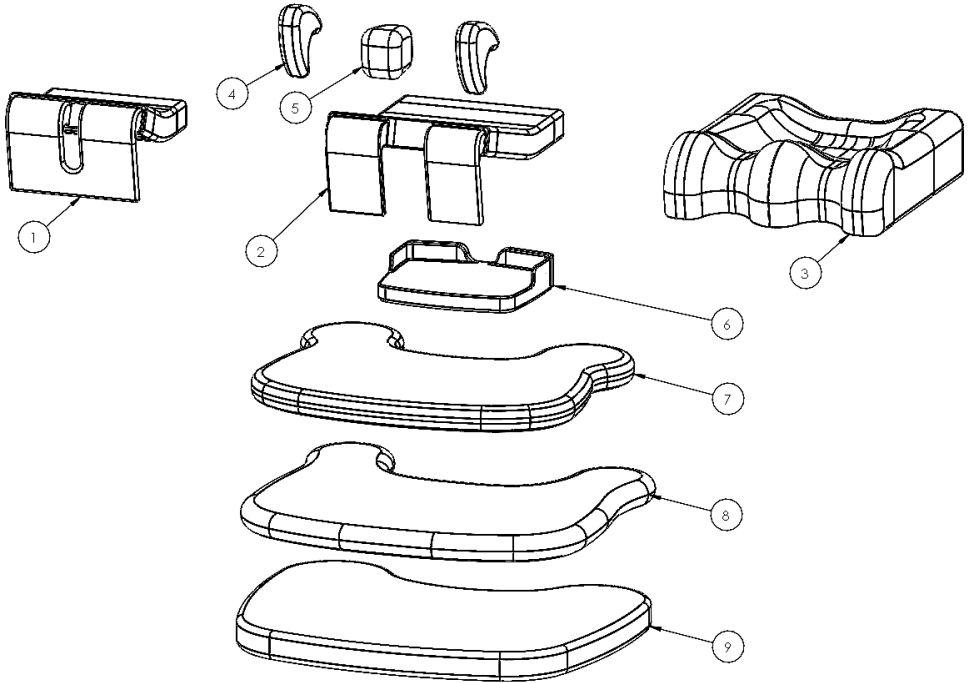
| Pos. | Leckey Sales Code | Description                  | Compatible With |        |       |
|------|-------------------|------------------------------|-----------------|--------|-------|
|      |                   |                              | Small           | Medium | Large |
| 1    | 150-2720          | Tray (Medium)                |                 | ●      |       |
| 2    | 117-641           | Tray Elbow Blockers (Medium) |                 | ●      |       |
| 3    | 150-2888          | Padded Tray Cover (Medium)   |                 | ●      |       |

# BeMe - Size 3 Tray



| Pos.          | Leckey Sales Code | Description                             | Compatible With |        |       |
|---------------|-------------------|---|-----------------|--------|-------|
|               |                   |   | Small           | Medium | Large |
| 1             | 150-35031         | Tray (Large)                            |                 |        | ●     |
| 2             | 150-3888          | Padded Tray Cover (Large)               |                 |        | ●     |
| 3             | 150-35033         | Elbow Pad (Large)                       |                 |        | ●     |
| 4             | 150-3671          | Tray Elbow Blockers (Large)             |                 |        | ●     |
| Full Assembly | 150-3720          | Large Tray (No Cover Or Elbow Blockers) |                 |        | ●     |

# BeMe - Upholstery

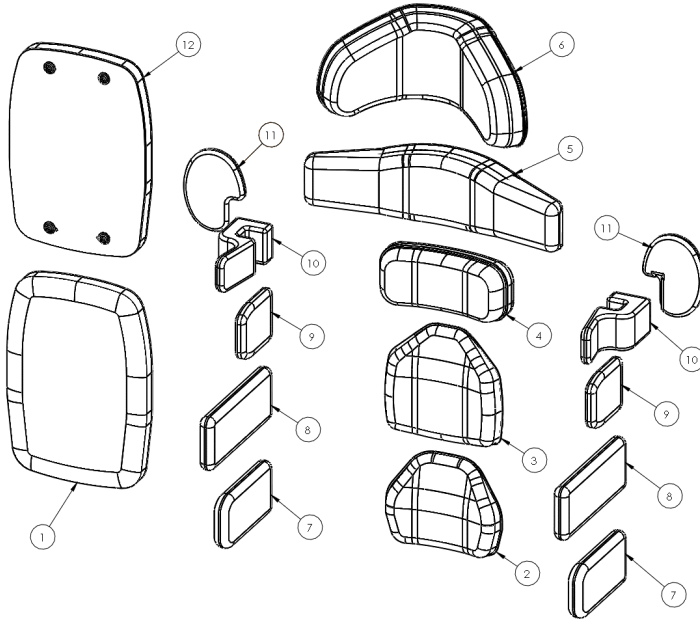


| Pos. | Leckey Sales Code | Description                                      | Seat Core Comptability |        |             |       |            | Colour |        |      |     |
|------|-------------------|--|------------------------|--------|-------------|-------|------------|--------|--------|------|-----|
|      |                   |  | Small                  | Medium | Medium-Long | Large | Large-Long | Blue   | Purple | Grey | Red |
| 1    | 150-1840-XX       | Basic Seat Cover With Stretch Foam (Small)       | ●                      |        |             |       |            | -02    | -04    | -08  | -09 |
| 1    | 150-2840-XX       | Basic Seat Cover With Stretch Foam (Medium)      |                        | ●      |             |       |            | -02    | -04    | -08  | -09 |
| 1    | 150-3840-XX       | Basic Seat Cover With Stretch Foam (Large)       |                        |        |             | ●     |            | -02    | -04    | -08  | -09 |
| 1    | 150-4840-XX       | Basic Seat Cover With Stretch Foam (Medium-Long) |                        |        | ●           |       |            | -02    | -04    | -08  | -09 |
| 1    | 150-5840-XX       | Basic Seat Cover With Stretch Foam (Large-Long)  |                        |        |             |       | ●          | -02    | -04    | -08  | -09 |
| 2    | 150-2850-XX       | Split Seat Cover With Stretch Foam (Medium)      |                        | ●      |             |       |            | -02    | -04    | -08  | -09 |
| 2    | 150-3850-XX       | Split Seat Cover With Stretch Foam (Large)       |                        |        |             | ●     |            | -02    | -04    | -08  | -09 |
| 2    | 150-4850-XX       | Split Seat Cover With Stretch Foam (Medium-Long) |                        |        | ●           |       |            | -02    | -04    | -08  | -09 |
| 2    | 150-5850-XX       | Split Seat Cover With Stretch Foam (Large-Long)  |                        |        |             |       | ●          | -02    | -04    | -08  | -09 |

# BeMe - Upholstery

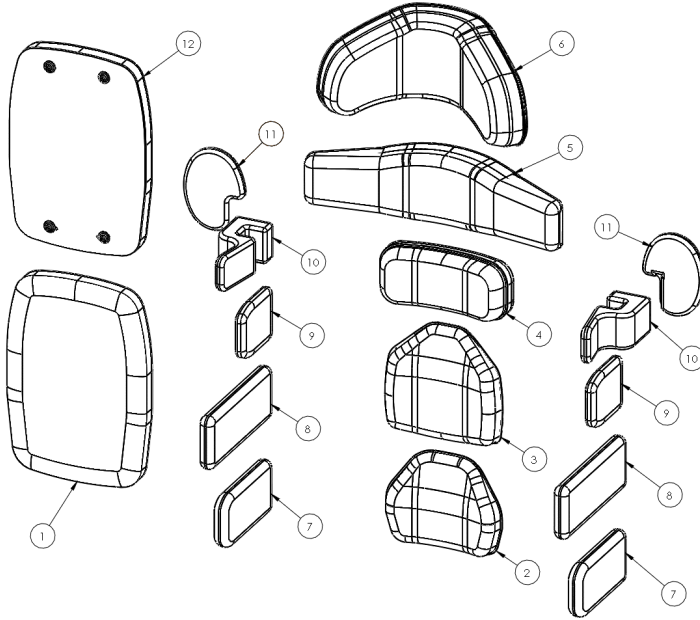
| Pos. | Lecley Sales Code | Description  | Seat Core Compatability |        |             |       |            | Colour |        |      |     |
|------|-------------------|--|-------------------------|--------|-------------|-------|------------|--------|--------|------|-----|
|      |                   |  | Small                   | Medium | Medium-Long | Large | Large-Long | Blue   | Purple | Grey | Red |
| 3    | 150-1860-XX       | Contoured Seat Cover With Stretch Foam (Small)       | ●                       |        |             |       |            | -02    | -04    | -08  | -09 |
| 3    | 150-2860-XX       | Contoured Seat Cover With Stretch Foam (Medium)      |                         | ●      |             |       |            | -02    | -04    | -08  | -09 |
| 3    | 150-3860-XX       | Contoured Seat Cover With Stretch Foam (Large)       |                         |        |             | ●     |            | -02    | -04    | -08  | -09 |
| 3    | 150-4860-XX       | Contoured Seat Cover With Stretch Foam (Medium-Long) |                         |        | ●           |       |            | -02    | -04    | -08  | -09 |
| 3    | 150-5860-XX       | Contoured Seat Cover With Stretch Foam (Large-Long)  |                         |        |             |       | ●          | -02    | -04    | -08  | -09 |
| 4    | 150-1862          | Single Padded Cover For Femoral Gable (Small)        | ●                       |        |             |       |            |        |        |      |     |
| 4    | 150-2862          | Single Padded Cover For Femoral Gable (Medium)       |                         | ●      | ●           |       |            |        |        |      |     |
| 4    | 150-3862          | Single Padded Cover For Femoral Gable (Large)        |                         |        |             | ●     | ●          |        |        |      |     |
| 4    | 150-4862          | Single Padded Cover For Femoral Gable (X-Large)      |                         |        |             | ●     | ●          |        |        |      |     |
| 5    | 150-1864          | Pommel Cover (Small)                                 | ●                       |        |             |       |            |        |        |      |     |
| 5    | 150-2864          | Pommel Cover (Medium)                                |                         | ●      | ●           |       |            |        |        |      |     |
| 5    | 150-3864          | Pommel Cover (Large)                                 |                         |        |             | ●     | ●          |        |        |      |     |
| 6    | 150-1872          | One-Piece Footplate Cover (Small)                    | ●                       |        |             |       |            |        |        |      |     |
| 6    | 150-2872          | One-Piece Footplate Cover (Medium)                   |                         | ●      | ●           |       |            |        |        |      |     |
| 6    | 150-3872          | One-Piece Footplate Cover (Large)                    |                         |        |             | ●     | ●          |        |        |      |     |
| 7    | 150-1888          | Padded Tray Cover (Small)                            | ●                       |        |             |       |            |        |        |      |     |
| 8    | 150-2888          | Padded Tray Cover (Medium)                           |                         | ●      | ●           |       |            |        |        |      |     |
| 9    | 150-3888          | Padded Tray Cover (Large)                            |                         |        |             | ●     | ●          |        |        |      |     |

# BeMe - Upholstery



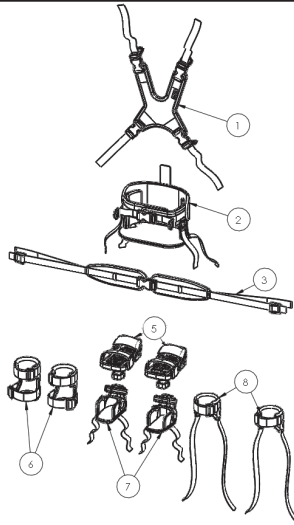
| Pos. | Leckey Sales Code | Description                          | Seat Core Compatibility |        |       | Colour |        |      |     |
|------|-------------------|--------------------------------------|-------------------------|--------|-------|--------|--------|------|-----|
|      |                   |                                      | Small                   | Medium | Large | Blue   | Purple | Grey | Red |
| 1    | 150-1870-XX       | Basic Backrest Cover (Small)         | ●                       |        |       | -02    | -04    | -08  | -09 |
| 1    | 150-2870-XX       | Basic Backrest Cover (Medium)        |                         | ●      |       | -02    | -04    | -08  | -09 |
| 1    | 150-3870-XX       | Basic Backrest Cover (Large)         |                         |        | ●     | -02    | -04    | -08  | -09 |
| 2    | 150-152111-XX     | Sacral Cover (Small)                 | ●                       |        |       | -02    | -04    | -08  | -09 |
| 2    | 150-252111-XX     | Sacral Cover (Medium)                |                         | ●      |       | -02    | -04    | -08  | -09 |
| 2    | 150-352111-XX     | Sacral Cover (Large)                 |                         |        | ●     | -02    | -04    | -08  | -09 |
| 3    | 150-152112-XX     | Thoracic Cover (Small)               | ●                       |        |       | -02    | -04    | -08  | -09 |
| 3    | 150-252112-XX     | Thoracic Cover (Medium)              |                         | ●      |       | -02    | -04    | -08  | -09 |
| 3    | 150-352112-XX     | Thoracic Cover (Large)               |                         |        | ●     | -02    | -04    | -08  | -09 |
| 4    | 150-152113-XX     | Shoulder Cover (Small)               | ●                       |        |       | -02    | -04    | -08  | -09 |
| 4    | 150-252113-XX     | Shoulder Cover (Medium)              |                         | ●      |       | -02    | -04    | -08  | -09 |
| 4    | 150-352113-XX     | Shoulder Cover (Large)               |                         |        | ●     | -02    | -04    | -08  | -09 |
| 5    | 150-252113-XX     | Shoulder Wing Upgrade Cover (Medium) |                         | ●      |       | -02    | -04    | -08  | -09 |
| 5    | 150-352113-XX     | Shoulder Wing Upgrade Cover (Large)  |                         |        | ●     | -02    | -04    | -08  | -09 |

# BeMe - Upholstery



| Pos. | Leckey Sales Code | Description                          | Accessory Compatibility |        |       | Colour |        |      |     |
|------|-------------------|--------------------------------------|-------------------------|--------|-------|--------|--------|------|-----|
|      |                   |                                      | Small                   | Medium | Large | Blue   | Purple | Grey | Red |
| 6    | 150-855-XX        | HEADREST COVER                       |                         |        |       | -02    | -04    | -08  | -09 |
| 7    | 150-15082         | HIP GUIDE COVER (Small)              | •                       |        |       |        |        |      |     |
| 7    | 150-25082         | HIP GUIDE COVER (Medium)             |                         | •      |       |        |        |      |     |
| 7    | 150-35082         | HIP GUIDE COVER (Large)              |                         |        | •     |        |        |      |     |
| 8    | 150-15052         | COMPLEX LATERAL COVER (Small/Medium) | •                       | •      |       |        |        |      |     |
| 8    | 150-35052         | COMPLEX LATERAL COVER (Large)        |                         |        | •     |        |        |      |     |
| 9    | 150-15042         | SLIM LATERAL COVER (Small)           | •                       |        |       |        |        |      |     |
| 9    | 150-25042         | SLIM LATERAL COVER (Medium)          |                         | •      |       |        |        |      |     |
| 9    | 150-35042         | SLIM LATERAL COVER (Large)           |                         |        | •     |        |        |      |     |
| 10   | 150-15062         | LATERAL BRACKET COVER                | •                       | •      | •     |        |        |      |     |
| 11   | 150-673           | LATERAL PROTRACTION PAD              | •                       | •      | •     |        |        |      |     |
| 11   | 150-1850          | PROTRACTION PAD COVER ONLY           | •                       | •      | •     |        |        |      |     |
| 12   | 150-150010        | BASIC BACKREST FOAM (Small)          | •                       |        |       |        |        |      |     |
| 12   | 150-250010        | BASIC BACKREST FOAM (Medium)         |                         | •      |       |        |        |      |     |
| 12   | 150-350010        | BASIC BACKREST FOAM (Large)          |                         |        | •     |        |        |      |     |

# BeMe - Upholstery



| Pos. | Leckey Sales Code | Description                           |
|------|-------------------|---------------------------------------|
| 1    | 155-N001-L600     | Butterfly Harness (Small)             |
| 1    | 155-N001-L601     | Butterfly Harness (Medium)            |
| 1    | 155-N001-L602     | Butterfly Harness (Large)             |
| 1    | 155-N001-L603     | Butterfly Harness (X-Large)           |
| 2    | 117-476           | Pelvic Cradle (Size 2)                |
| 2    | 117-477           | Pelvic Cradle (Size 3)                |
| 2    | 117-478           | Pelvic Cradle (Size 4)                |
| 2    | 117-479           | Pelvic Cradle (Size 5)                |
| 2    | 117-480           | Pelvic Cradle (Size 6)                |
| 3    | 150-1844          | 4 point belt (Size 1)                 |
| 3    | 150-2844          | 4 point belt (Size 2)                 |
| 3    | 150-3844          | 4 point belt (Size 3)                 |
| 3    | 150-4844          | 4 point belt (Size 4)                 |
| 5    | 152-1600          | Sandals (Small)                       |
| 5    | 152-2600          | Sandals (Medium)                      |
| 5    | 152-3600          | Sandals (Large)                       |
| 6    | AH01              | Ankle Huggers                         |
| 7    | 150-1852          | Booties (X-Small)                     |
| 8    | 173-2305          | Small Ankle Wraps (Only with Sandals) |
| 8    | 173-3305          | Large Ankle Wraps (Only with Sandals) |



**James Leckey Design Limited**  
19 Ballinderry Road  
Lisburn BT28 2SA  
Northern Ireland

(+44) 28 9260 0750  
hello@leckey.com

**leckey.com**



James Leckey Design Limited has made every effort to ensure that the information contained in this document is accurate and up to date. At the time of going to print, the information presented is accurate to the best of the company's knowledge. James Leckey Design Limited however, cannot accept responsibility for changes to product information after going to print. Date of preparation October 2021

**Date of Preparation : April 2022**