

Heron[™]

Heron[™] w/ power

Exploded views / Part lists

Rev. date (2023.11)

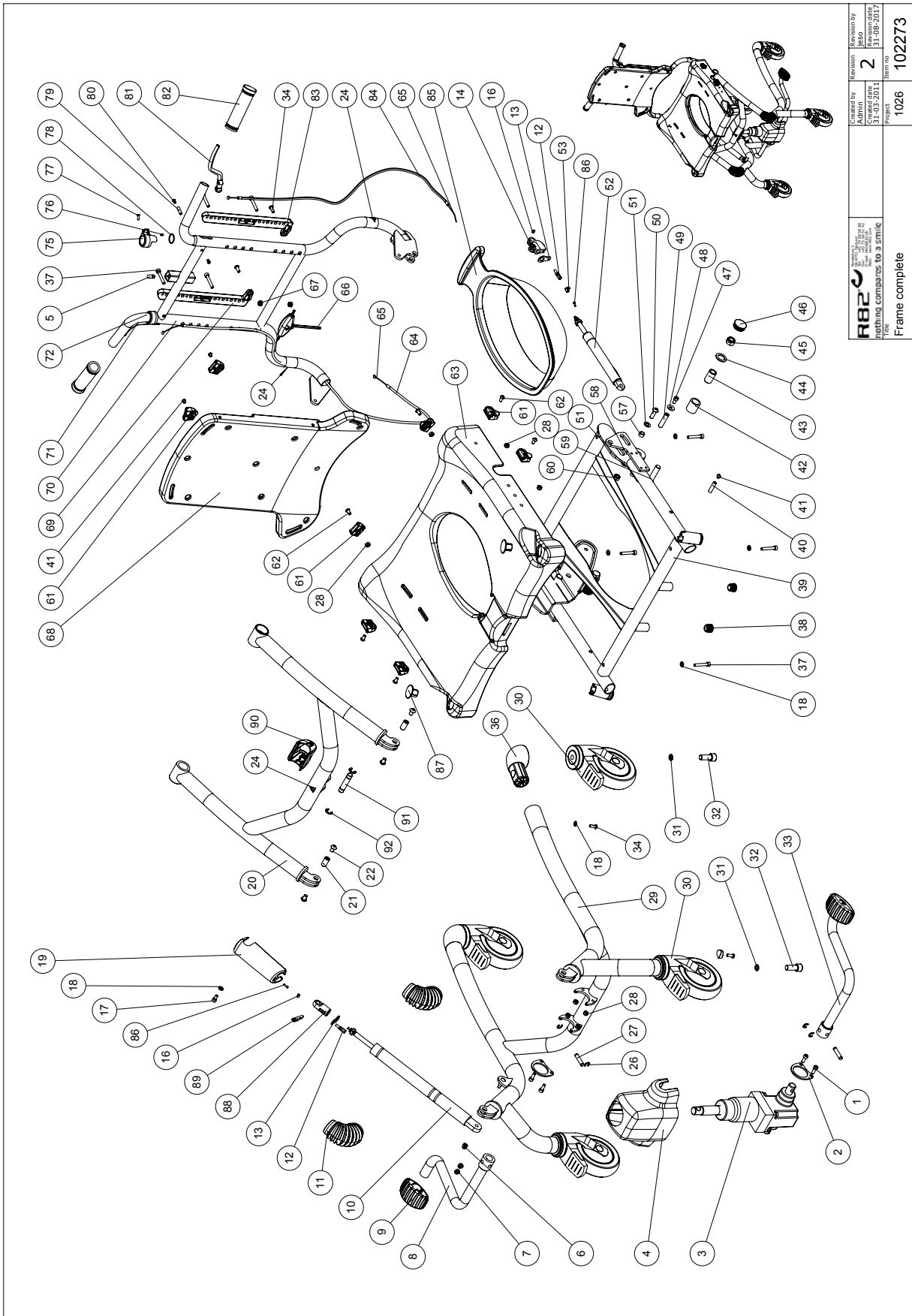
On the following pages you will find the parts used to assemble this product. Please note that some spare parts cannot be purchased individually but are part of a complete kit. Please also note that for some spare parts extra delivery time may occur.



Contents

Heron (without power)	3
Item numbers for Heron (without power).....	4
Heron (with power).....	6
Item numbers for Heron (with power)	7
Arm rests	9
Item numbers for Arm rests (880508-03).....	10
Tray.....	11
Item numbers for Tray (880508-04).....	12
Foot supports, right-angled knee	13
Item numbers for Foot supports, right-angled knee (880506-01)	14
Foot supports, open knee angle	15
Item numbers for Foot support, open knee angle (880506-02)	16
Foot supports - short, right-angled knee	17
Item numbers for Foot supports- short, right-angled knee (880506-03)	18
Hip supports, set	19
Item numbers for Hip supports, set (880508-02).....	20

Heron (without power)



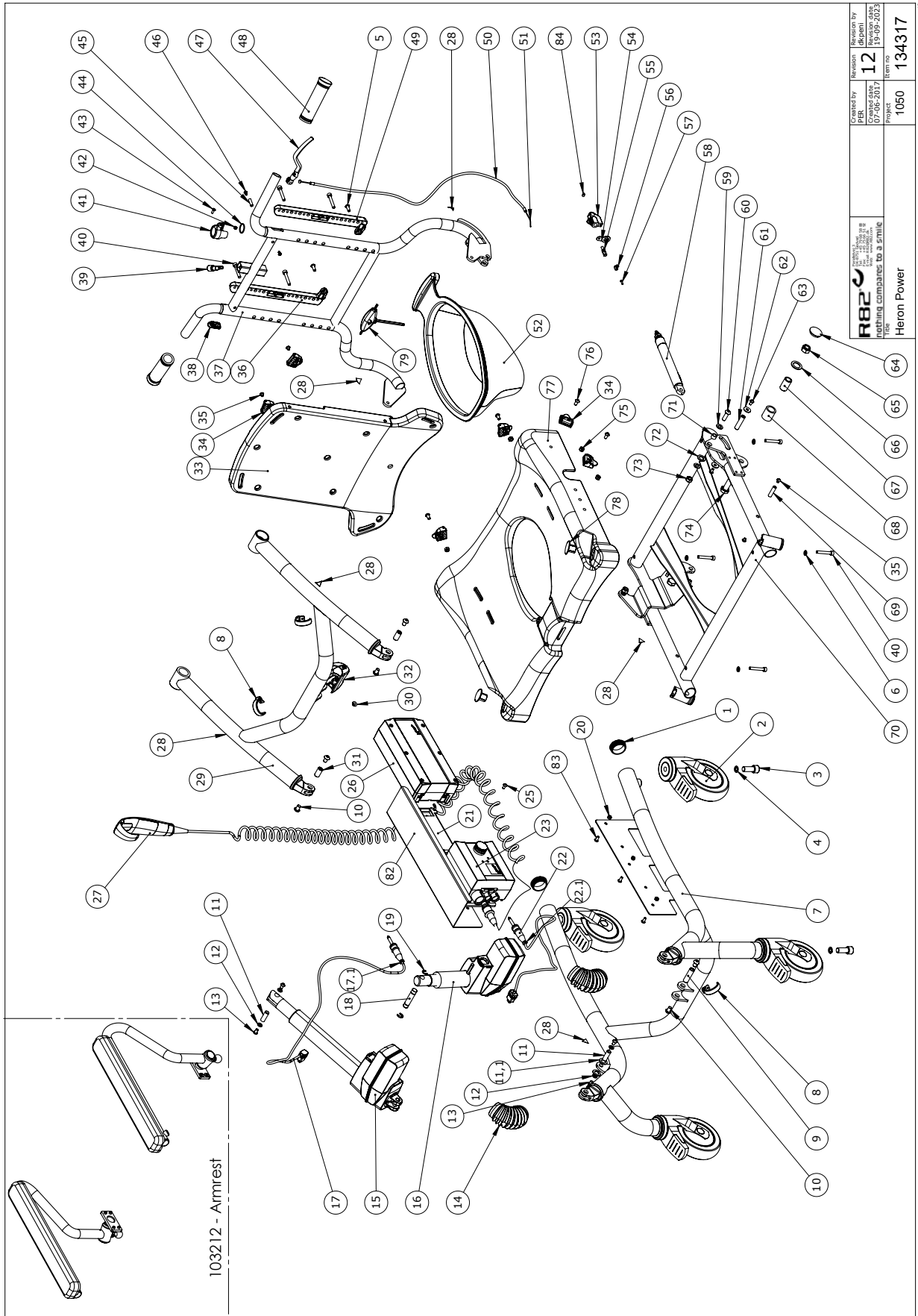
C:\pwwork\1026\102273

Item numbers for Heron (without power)

Position	Art nr.	Description	Quantity	Unit of measure	Ean kode
1	0602205	Stainless insex M6x16	PCS	4	5707292404732
2	100228	Overlay for cylinder	PCS	2	5707292559944
3	2208005	Self containing Hydraulic Act.	PCS	1	5707292561398
4	100222	Cover for powder packer MK5	PCS	1	5707292559876
5	0701012	Stop screw M10x12 flat rf	PCS	3	5707292533593
6	1781060	Top nut M6 stainless	PCS	1	5707292566027
7	0506523	Stainless blind rivet ø6,4x13	PCS	4	5707292566010
8	102034	Pump pedal welded	PCS	1	5707292559883
9	100217	Pad for hydraulic pump	PCS	2	5707292559913
10	101307	Hydro block ø28 385/320	PCS	1	5707292560414
11	100887	Bellow for frame/adjustable	PCS	2	5707292559753
12	0380000	Cable tighter M5x23	PCS	2	5707292135933
13	82268	Wire mounting by pedal	PCS	2	5707292123039
14	2200100	Quick release head, gas spring	PCS	1	5707292580276
16	109070	Screw nipple	PCS	2	5707292575562
17	0602195	Insex M6x12 stainless	PCS	1	5707292404701
18	1100490	Spring washer M6 stainless	PCS	7	5707292411297
19	109061	Cover for Hydro block	PCS	1	5707292575548
20	110741-10	Adjustable arm Welded	PCS	1	5707292621382
21	100236	Bush ø12 x M8 x 22,5	PCS	2	5707292559746
22	0661153	Button head screw 8x10 stainl.	PCS	4	5707292616654
24	0493437	Label "exclamation mark"	PCS	3	5707292136909
26	1145060	Locking washer, axle stainless	PCS	4	5707292375056
27	102001	Pin ø8x30	PCS	2	5707292559920
28	1631060	Stainless lock nut 6mm	PCS	10	5707292141446
29	100139	Frame welded, toilet chair	PCS	1	5707292556844
30	3041600	Wheel with brake 125mm	PCS	4	5707292561510
31	1101610	Center spring washer 12mm	PCS	4	5707292561527
32	0609950	Stainless insex screw 10x30	PCS	4	5707292561534
33	102445	Pump pedal welded, left	PCS	1	5707292567451
34	0659500	Button head screw	PCS	4	5707292139450
36	103234	Wheel mount	PCS	2	5707292565877
37	0602450	Insex M6x40 stainless	PCS	8	5707292400673
38	2502500	Ferrule d20x1,0-2,0 int.black	PCS	2	5707292144027
39	167356	Seat frame welded	PCS	1	5707292971654
40	100859	Pin ø8 / M5x30,5	PCS	1	5707292560384
41	0631952	Button head M5x6, rf tuflok	PCS	4	5707292503725
42	100234	Bearing ø25x18x28	PCS	2	5707292560001
43	100229	Bush	PCS	2	5707292560018
44	100233	Disk ø27x18,2x2	PCS	2	5707292560025
45	1631120	Stainless lock nut 12mm	PCS	2	5707292502049
46	2507006	Covershoe for pipe Gray ø32	PCS	2	5707292580917
47	0602195	Insex M6x12 stainless	PCS	2	5707292404701
48	1130600	Stainless washer 6mm	PCS	2	5707292140517
49	100857	Pin ø8 / M5x25,5	PCS	1	5707292560391
50	0662500	Button head screw 8x25 stainl.	PCS	2	5707292139580
51	1105080	Stainless washer 8mm	PCS	4	5707292140364
52	101311	Lockable gas springs	PCS	1	5707292560506
53	0388010	Screwnippel 7x7mm	PCS	1	5707292136121
57	100956	Bush for bolt, seat / back	PCS	2	5707292560377
58	1310710	Nylon washer	PCS	2	5707292140807
59	0607999	Stainless Insex screw 12x50	PCS	2	5707292482013

60	1631080	Stainless lock nut 8mm	PCS	2	5707292141453
61	110202	Snap Lock R82-25 With ø6	PCS	8	5707292575913
62	0659200	Button head screw 6x12 stainl.	PCS	6	5707292139436
63	117002	Seat shell with insert	PCS	1	5707292614988
64	109043	Cabel seat tilt	PCS	1	5707292575593
65	0371854-1	Soft inner cable for Stingray	PCS	2	5707292536945
66	103047	T-Hexagon key	PCS	1	5707292566393
67	1310551	Cable foring 5 mm	PCS	2	5707292565327
68	100430	Back shell with insert	PCS	1	5707292560544
69	108976	Mounting for sidesupport,right	PCS	1	5707292575623
70	163761	Holder for back	PCS	1	5707292971470
71	108891	Lever for seat tilt, right	PCS	1	5707292575685
72	109003	Lock for seat tilt	PCS	1	5707292575678
75	109002	Lock for back angel	PCS	1	5707292575661
76	1604999	Nut M4, Stainless	PCS	2	5707292575197
77	0603524	Insex UH M4x20 stainless	PCS	2	5707292575531
78	0108002	O-ring Ø20 x 2 Silicone	PCS	2	5707292575760
79	109025	Pin ø6 / M4 x 21,5	PCS	2	5707292575647
80	0659499	Button head M4x8, stainless	PCS	4	5707292575180
81	108880	Lever fo back angel, left	PCS	1	5707292575630
82	2500617	Pvc grips 22x120mm	PCS	2	5707292143792
83	108888	Mounting for sidesupport,left	PCS	1	5707292575616
84	109044	Cabel for seat/back angel	PCS	1	5707292575609
85	109072	Potty ring	PCS	1	5707292575692
86	0387000	End nipple for outer casing	PCS	2	5707292136091
87	112331	Seal cap	PCS	2	5707292593351
88	118705	Release for gasspring	PCS	1	5707292615138
89	2200050	Small release arm	PCS	1	5707292143075
90	116924	Schock absorber	PCS	1	5707292610645
91	116817	Shaft ø12 x 60	PCS	1	5707292610614
92	1145090	Locking disk 9mm,din6799,rustp	PCS	2	5707292140609

Heron (with power)



 R82 A/S Højbjergvej 10 2605 Brøndby Denmark Tel: +45 79 68 58 88 Fax: +45 75 66 51 92 E-mail: R82@etac.com Web: etac.com	Created by PER	Revision by d/urani	Revision 12
	Created date 13-09-2017	Part no. 1050	Item no. 134317

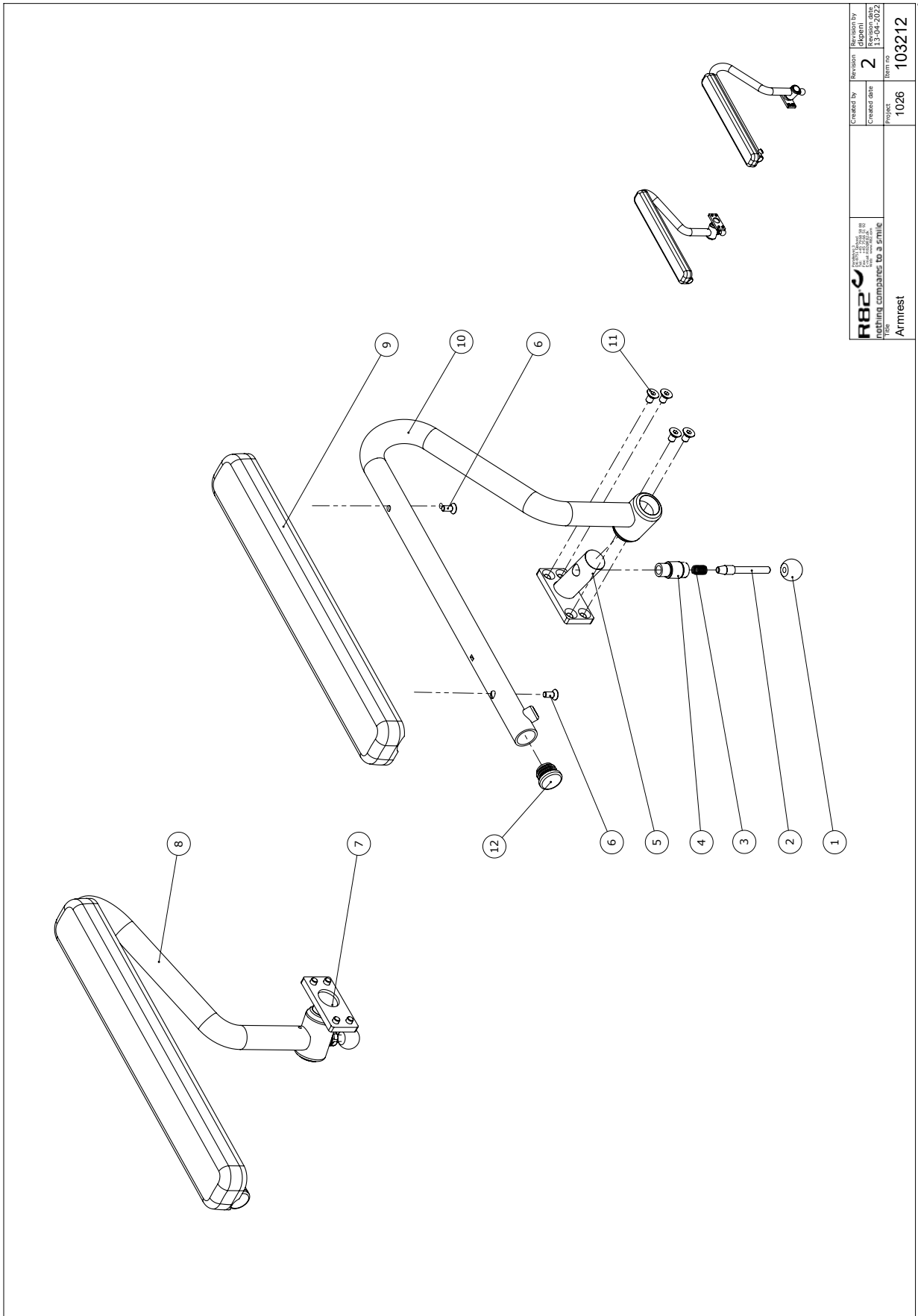
© ETAC Power 1050034317

Item numbers for Heron (with power)

Position	Art#	Description	Quantity	Unit	Ean code
1	2507008	Ferrule, grey, Ø40	PCS	2	5707292781918
2	3041600	Wheel with brake 125mm	PCS	4	5707292561510
3	0609950	Stainless insex screw 12x30	PCS	4	5707292561534
4	1101610	Spring washer 12mm	PCS	4	5707292561527
6	1100490	Spring washer M6 stainless	PCS	2	5707292411297
7	142394-10	Frame welded Heron f.actuators	PCS	1	5707292884183
8	113710	Cable holder	PCS	3	5707292619327
9	116823	Bush ø12 x M8 x41	PCS	1	5707292610584
10	0661153	Button head screw M8x10 stainl	PCS	6	5707292616654
11	75214	Bush Ø10x27-M6	PCS	2	5707292458889
11.1	1310710	Nylon washer	PCS	2	5707292140807
12	1105060	SS washer M6 6,4x12x1,6	PCS	4	5707292140357
13	0659007	Insex button head M6x10,stainl	PCS	4	5707292630360
14	100887	Bellow for frame/adjustable	PCS	2	5707292559753
15	2222050	Actuator LA40 6000N xTILTx	PCS	1	5707292621245
16	2222060	Actuator LA40 8000N x LIFTx	PCS	1	5707292621252
17	116805	Cable for tilt actuator	PCS	1	5707292610607
17.1	2222091	Wire marking no. 1, brown	PCS	1	5707292633941
18	116817	Shaft ø12 x 60	PCS	1	5707292610614
19	1145090	Locking disc 9mm,din6799,stain	PCS	2	5707292140609
20	1631050	Prevailing torque lock nut m5	PCS	3	5707292510662
21	2222085	Battery holder, MBJ2-1	PCS	1	5707292621313
22	116813	Cable for Hi/low, Heron EL act	PCS	1	5707292610621
22.1	2222092	Wire marking no. 2, red	PCS	1	5707292633958
23	2222070	Control box CBJC067-00	PCS	1	5707292621269
25	0658010	Button head M5 x 10,stainless	PCS	1	5707292139375
26	2222080	Battery BAJ1	PCS	1	5707292621276
27	2222090	Hand control HB32	PCS	1	5707292621306
28	0493437	Label "exclamation mark"	PCS	6	5707292136909
29	110741-10	Adjustable arm Welded	PCS	1	5707292621382
30	1310536	Covering button,white 13x5,0mm	PCS	1	5707292397911
31	100236	Bush ø12 x M8 x 22,5	PCS	2	5707292559746
32	116924	Shock absorber	PCS	1	5707292610645
33	100430	Back shell with insert	PCS	1	5707292560544
34	110202	Snap Lock R82-25 With ø6	PCS	8	5707292575913
35	0631952	Button head M5x6, rf tuflok	PCS	4	5707292503725
36	108976-1	Mounting for sidesupport,right	PCS	1	5707292809421
37	163761	Holder for back	PCS	1	5707292971470
38	113765	Plastic plug for Heron Power	PCS	1	5707292610577
39	3502710	Tightening handle 45/M10x15	PCS	1	5707292844996
40	0602450	Insex M6x40 stainless	PCS	8	5707292400673
41	109002	Lock for back angle	PCS	1	5707292575661
42	1604999	Nut M4, Stainless	PCS	1	5707292575197
43	0603524	Insex UH M4x20 stainless	PCS	1	5707292575531
44	0108002	O-ring Ø20 x 2 Silicone	PCS	1	5707292575760
45	109025	Pin ø6 / M4 x 21,5	PCS	1	5707292575647
46	0659499	Button head M4x8, stainless	PCS	2	5707292575180
47	108880	Lever for back angle, left	PCS	1	5707292575630
48	2500617	Plast grip 22x120mm	PCS	2	5707292143792
49	108888-1	Mounting for sidesupport,left	PCS	1	5707292809438

50	109044	Cable for seat/back angle	PCS	1	5707292575609
51	0371854-1	Soft inner cable for Stingray	PCS	1	5707292536945
52	128623	Potty ring, for Heron Power	PCS	1	5707292828767
53	2200100	Quick release head, gas spring	PCS	1	5707292580276
54	82268	Wire mounting by pedal	PCS	1	5707292123039
55	0380001	Adj screw U-BA-BZ-E-SM5-VA	PCS	1	5707292829771
56	0388010	Screwnippel 7x7mm	PCS	1	5707292136121
57	0387000	End nipple for outer casing	PCS	1	5707292136091
58	101311	Lockable gas spring 400N	PCS	1	5707292560506
59	1105080	Stainless washer 8mm	PCS	4	5707292140364
60	0662500	Button head screw M8x25 stainl	PCS	2	5707292139580
61	100857	Pin ø8 / M5x25,5	PCS	1	5707292560391
62	1130600	Stainless washer M6 din9021	PCS	2	5707292140517
63	0602195	Insex M6x12 stainless	PCS	2	5707292404701
64	2507006	Ferrule for pipe, grey Ø32	PCS	2	5707292580917
65	1631120	Stainless lock nut M12	PCS	2	5707292502049
66	100233	Disc ø27x18,2x2	PCS	2	5707292560025
67	100229	Bush	PCS	2	5707292560018
68	100234	Bearing ø25x18x28	PCS	2	5707292560001
69	100859	Pin ø8 / M5x30,5	PCS	1	5707292560384
70	167359	Seat frame for actuators	PCS	1	5707292971661
71	100956	Bush for bolt, seat / back	PCS	2	5707292560377
72	1310710	Nylon washer	PCS	2	5707292140807
73	1631080	Stainless lock nut M8	PCS	2	5707292141453
74	0607999	Stainless Insex screw M12x50	PCS	2	5707292482013
75	1631060	Stainless lock nut 6mm	PCS	6	5707292141446
76	0659200	Buttonhead screw M6x12 stainl.	PCS	6	5707292139436
77	117002	Seat shell with insert	PCS	1	5707292614988
78	112331	Seal cap	PCS	2	5707292593351
79	103047	T-Hexagon key	PCS	1	5707292566393
82	164974	Shield for battery color white	PCS	1	5707292967466
83	0631955	Stainless button head M5x12	PCS	3	5707292139207
Not shown	880510-01	Charger set for Heron	PCS	1	5707292782076
Not shown	880510-EU	Cable for charger for Heron	PCS	1	5707292782106

Arm rests



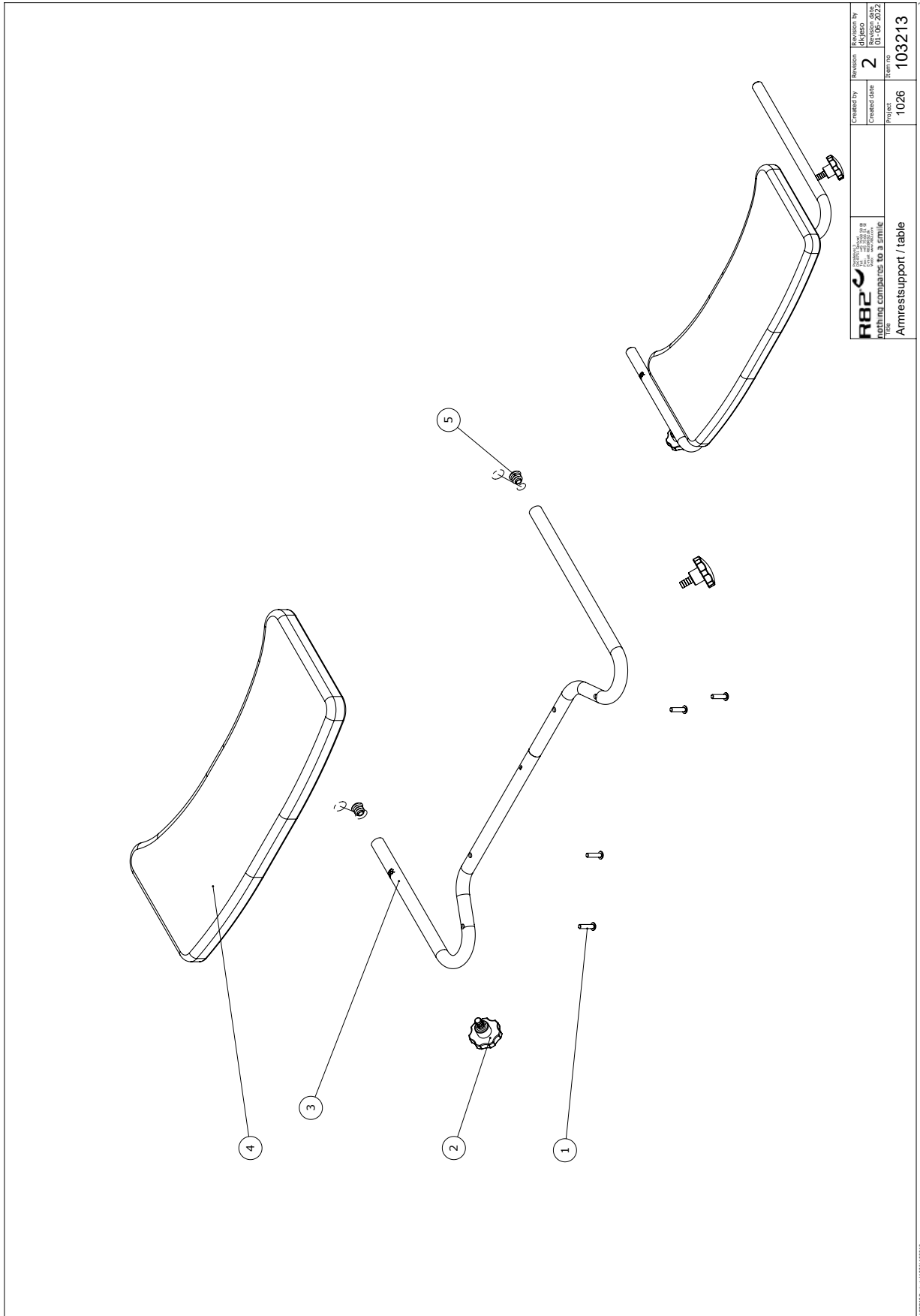
 R82 A/S Parallelvej 3 8751 Gedved Denmark Matching components to a serial	Created by dth@etac	Revision 2	Revision by dth@etac
	Created date 13-04-2022	Project 1026	Item no. 103212
Armrest			

© 2022 R82 A/S. All rights reserved.

Item numbers for Arm rests (880508-03)

Position	Art nr.	Description	Quantity	Unit of measure	Ean kode
1	3502008	Knob handle Ø20 M6	PCS	2	5707292146830
2	102823	Tap for lock, armrest	PCS	2	5707292564535
3	0310100	Pressurespring 0,9x8x23x10,5v	PCS	2	5707292135513
4	102822	Bush for lock armrest	PCS	2	5707292564528
5	102990	Bracket welded f. armrest Left	PCS	1	5707292573285
6	0609747	Stainless steel inset M5x12	PCS	4	5707292583321
7	102992	Bracket welded f. armrest righ	PCS	1	5707292573315
8	102994	Armrest welded, right	PCS	1	5707292573322
9	103024	Arm rest PU	PCS	2	5707292573384
10	102993	Armrest welded, Left	PCS	1	5707292573407
11	0609760	Stainless inset 6x10 with threaded lock	PCS	8	5707292570796
12	2503015	Ferrule d22x1,8-3,5, grey	PCS	2	5707292603753

Tray



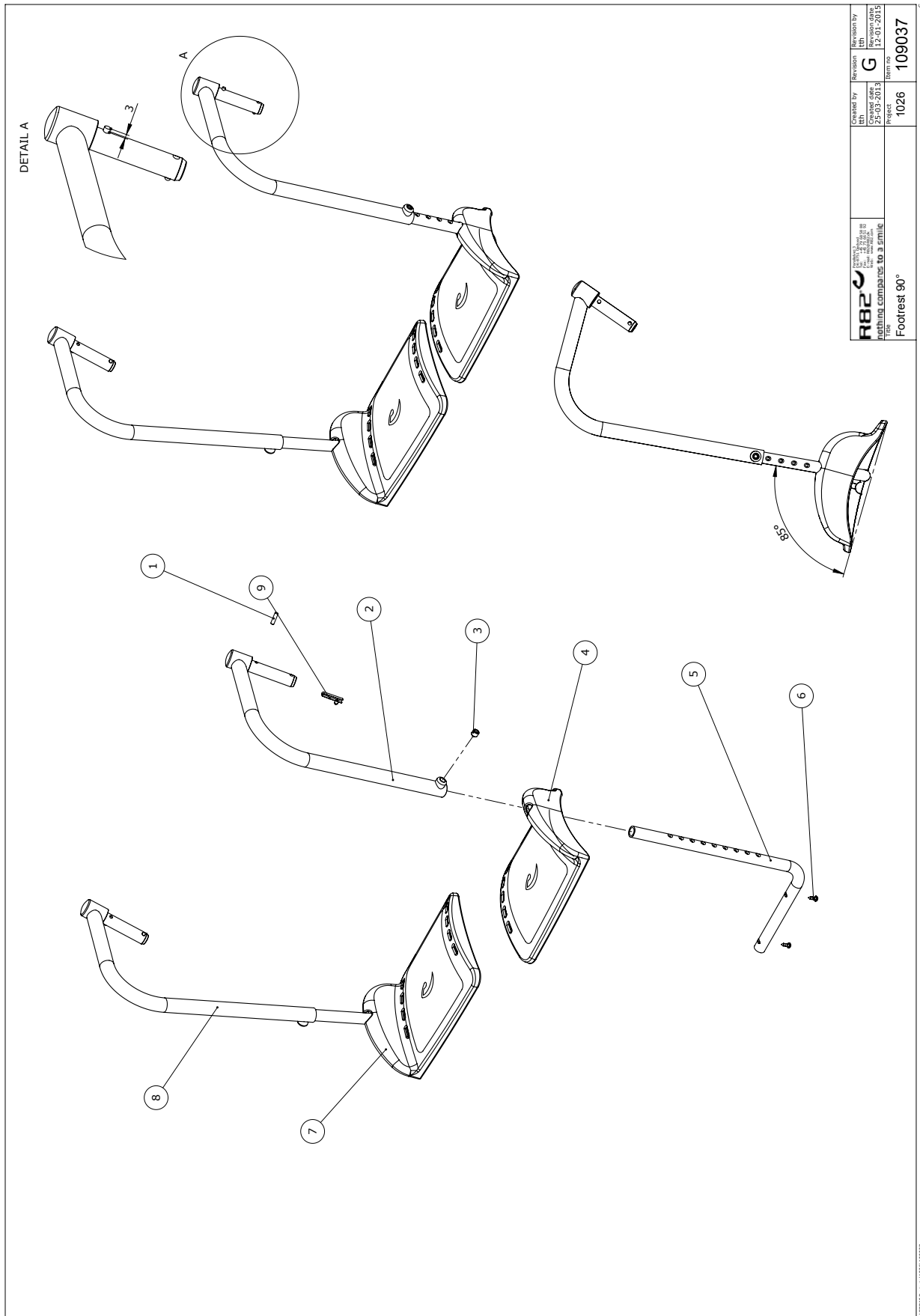
 R82 A/S Parallelvej 3 8751 Gedved Denmark	Created by JYBA DKKK	Revision 2	Revision by JYBA DKKK
	Created date 10/06/2022	Created date 01/06/2022	Item no. 103213
Title Armrestsupport / table		Project 1026	

C:\PDK\Heron\103213\103213

Item numbers for Tray (880508-04)

Position	Art nr.	Description	Quantity	Unit of measure	Ean kode
1	0658016	Button head M5x16 stainless	PCS	4	5707292139399
2	3501050	Star grip Ø40 M8x15mm white	PCS	2	5707292146717
3	165159	Tube for armsupport Welded	PCS	1	5707292965240
4	104088	Arm support with PU	PCS	1	5707292573247
5	2501600	Ferrule d15x1,0 black	PCS	2	5707292143969

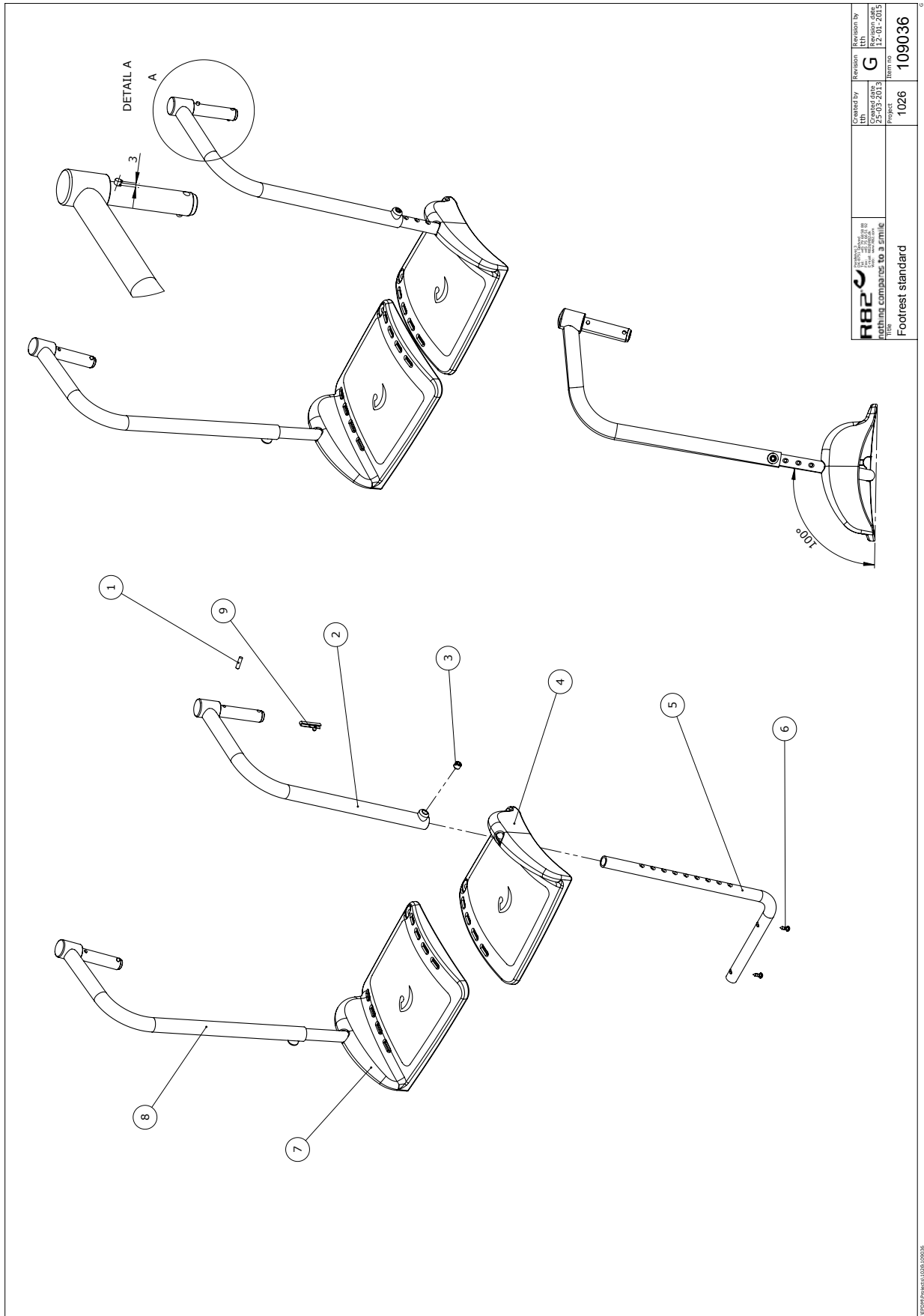
Foot supports, right-angled knee



Item numbers for Foot supports, right-angled knee (880506-01)

Position	Art nr.	Description	Quantity	Unit of measure	Ean kode
1	0529322	Cylinder pin Ø5,0x20mm stainl.	2	PCS	5707292590923
2	103138	Upper part, left for short	1	PCS	5707292567284
3	0690820	Stop screw with tip 10x12mm	2	PCS	5707292573612
4	103119	Footplate left	1	PCS	5707292567253
5	102784	Tube for footplate	2	PCS	5707292564184
6	1940044	Plast tite pt 4x10 pz	4	PCS	5707292582348
7	103120	Footplate right	1	PCS	5707292567260
8	103169	Upper part, Right for short	1	PCS	5707292567369
9	6153700	Knob spring f.activity centre	2	PCS	5707292188601

Foot supports, open knee angle

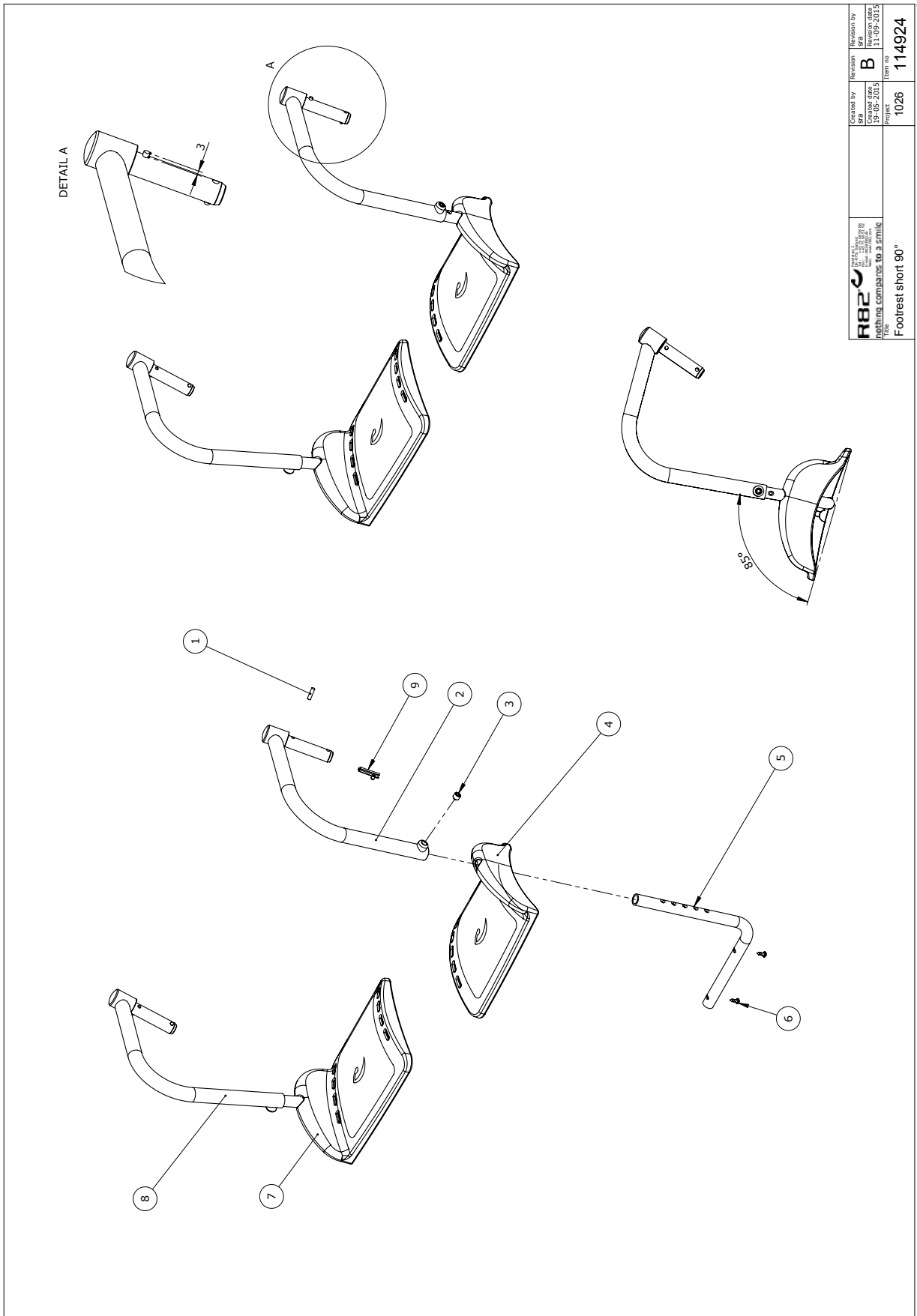


C:\EPDF\PowerMill\109036.DWG

Item numbers for Foot support, open knee angle (880506-02)

Position	Art nr.	Description	Quantity	Unit of measure	Ean kode
1	0529322	Cylinder pin Ø5,0x20mm stainl.	2	PCS	5707292590923
2	100255	Upperpart, left for footrest	1	PCS	5707292560162
3	0690820	Stop screw with tip 10x12mm	2	PCS	5707292573612
4	103119	Footplate left	1	PCS	5707292567253
5	102784	Tube for footplate	2	PCS	5707292564184
6	1940044	Plast tite pt 4x10 pz	4	PCS	5707292582348
7	103120	Footplate right	1	PCS	5707292567260
8	100930	Upper part, right for footrest	1	PCS	5707292560193
9	6153700	Knob spring f.activity centre	2	PCS	5707292188601

Foot supports - short, right-angled knee



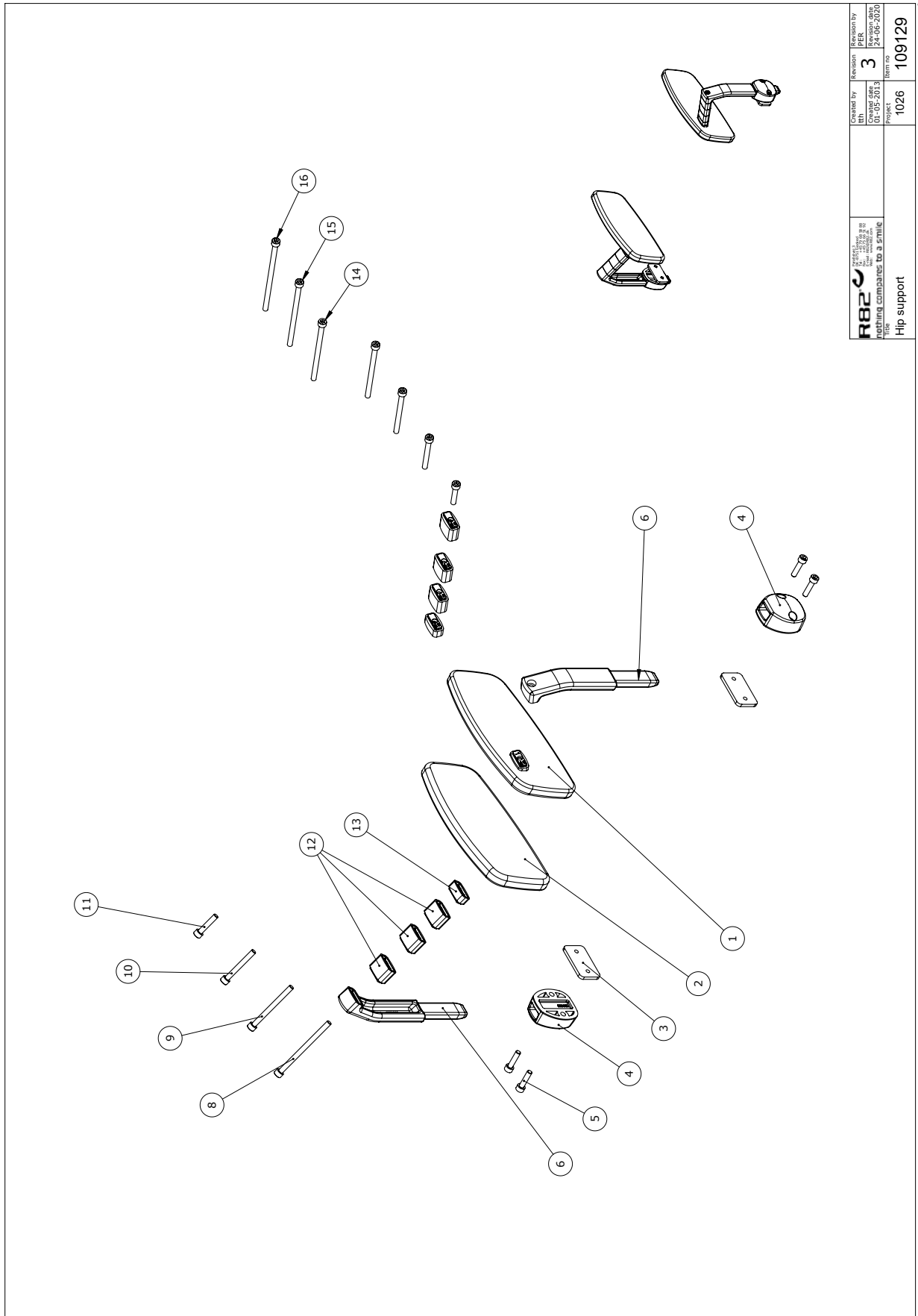
 <small>nothing compared to a smig</small>	Created by JYBA	Revision B	Revision by JYBA
	Date 19-05-2015	Date 11-09-2015	Item no. 1026
Title Footrest short 90°		Project 114924	

C:\PDP\Project\1026\Footer\short\version114924

Item numbers for Foot supports- short, right-angled knee (880506-03)

Position	Art #	Description	Quantity	Unit of measure	Ean code
1	880506-03	Cylinder pin Ø5,0x20mm stainl.	2	PCS	5707292590923
2	114908	Upper part Left for short	1	PCS	5707292606204
3	0690820	Stop screw with tip 10x12mm	2	PCS	5707292573612
4	103119	Footplate left	1	PCS	5707292567253
5	114950	Tube right for short footrest	2	PCS	5707292605986
6	1940044	Plast tite pt 4x10 pz	4	PCS	5707292582348
7	103120	Footplate right	1	PCS	5707292567260
8	114921	Upper part, Right for short	1	PCS	5707292606211
9	6153700	Knob spring f.activity centre	2	PCS	5707292188601

Hip supports, set



<p>R82 A/S Parallelvej 3 8751 Gedved Denmark</p>	Create by (th)	Revision PER	Reason by PER
	Create date 24-09-2013	Revision 3	Reason date 24-09-2010
Part no. 1026		Item no. 109129	
Hip support			

C:\ERP\Program\109129\109129

Item numbers for Hip supports, set (880508-02)

Position	Art nr.	Description	Quantity	Unit of measure	Ean kode
1	109195	Hip support with Pur, left	PCS	1	5707292577252
2	109196	Hip support with Pur, right	PCS	1	5707292577269
3	101175	Bracket for snap lock	PCS	2	5707292560148
4	109130	Holder for hip support	PCS	2	5707292577276
5	0602425	Insex M6x25, stainless	PCS	4	5707292404596
6	109100	Side bar	PCS	2	5707292577283
8	0602472	Insex M6x90, stainless	PCS	2	5707292576644
9	0602470	Insex M6x70, stainless	PCS	2	5707292407870
10	0609742	Stainless insex 6x50 ch.	PCS	2	5707292407306
11	0602430	Insex M6x30, stainless	PCS	2	5707292407276
12	109108	Spacer block 2 cm	PCS	6	5707292577306
13	109107	Spacer block 1 cm	PCS	2	5707292577290