

PARTS LIST

Carendo



General information

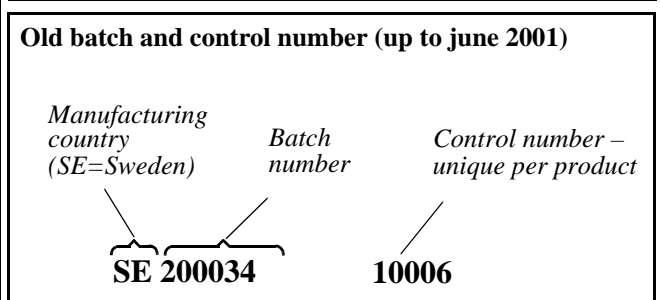
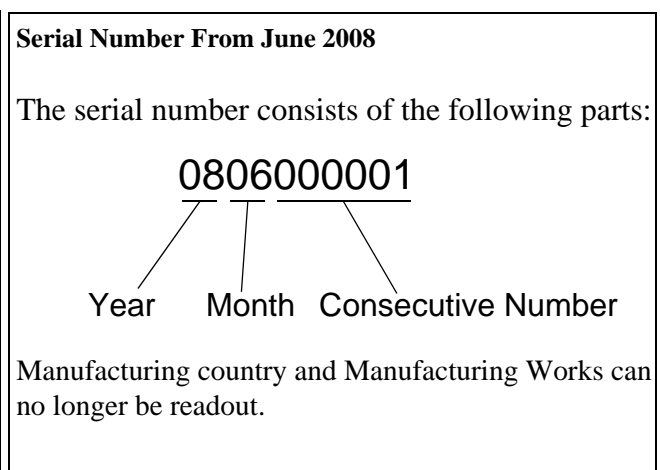
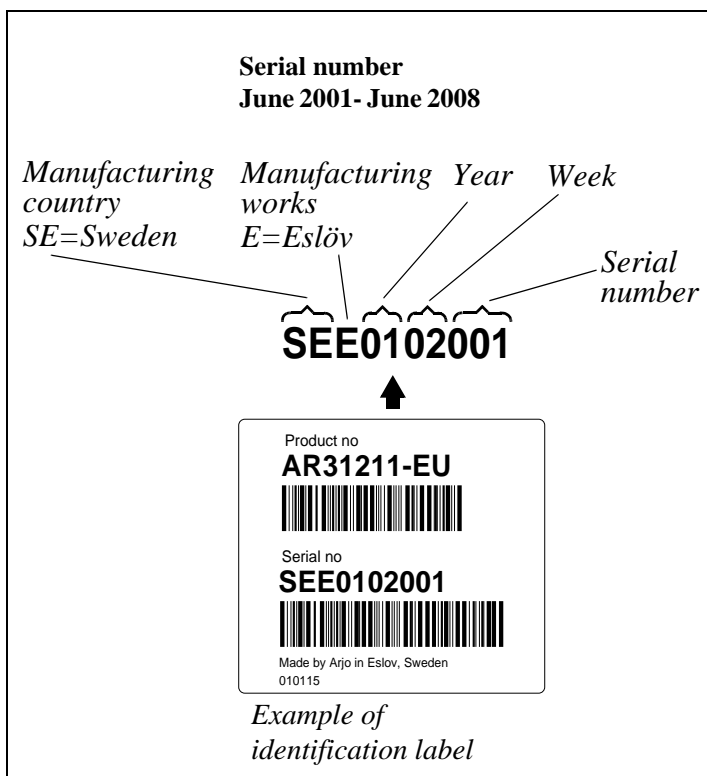
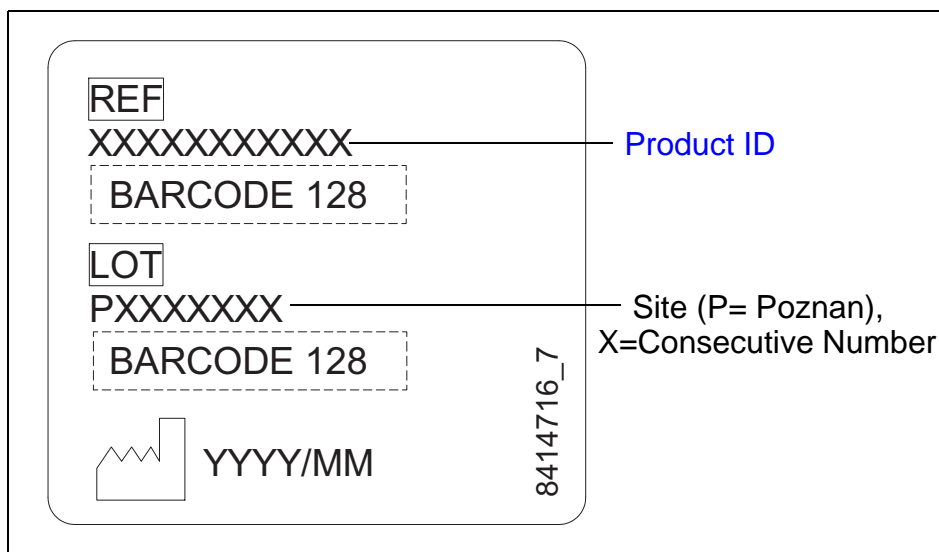
Note. All article numbers starting with **85** indicates that more than one detail is included in the article number. **Blue text indicates changes compared to previous manual.**

How to order

Before ordering spare parts, study the exploded view closely and make sure that you note all involved spare parts.

When taking contact with Arjo Parts sales always have the following information at hand:

- Correct name of the product. See type label.
- The batch/control number of the product. See labels.



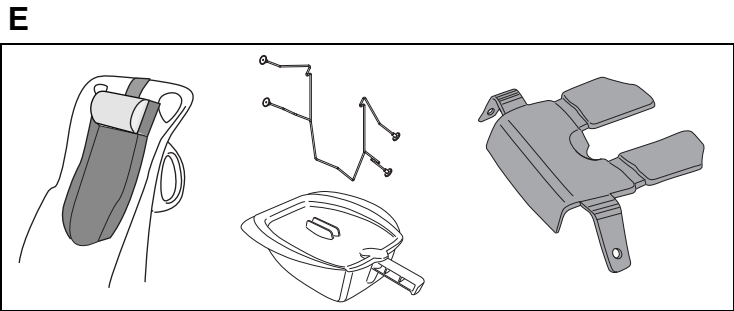
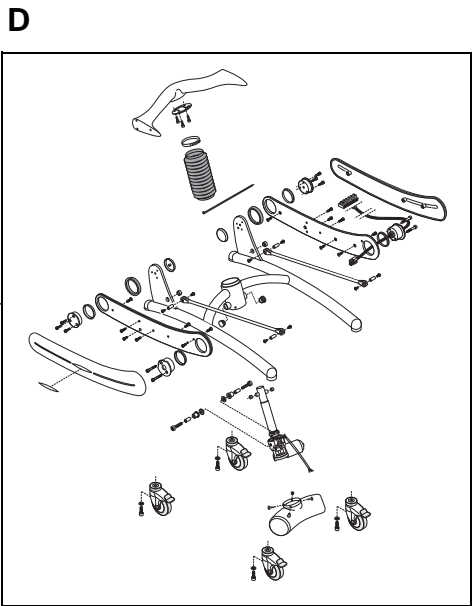
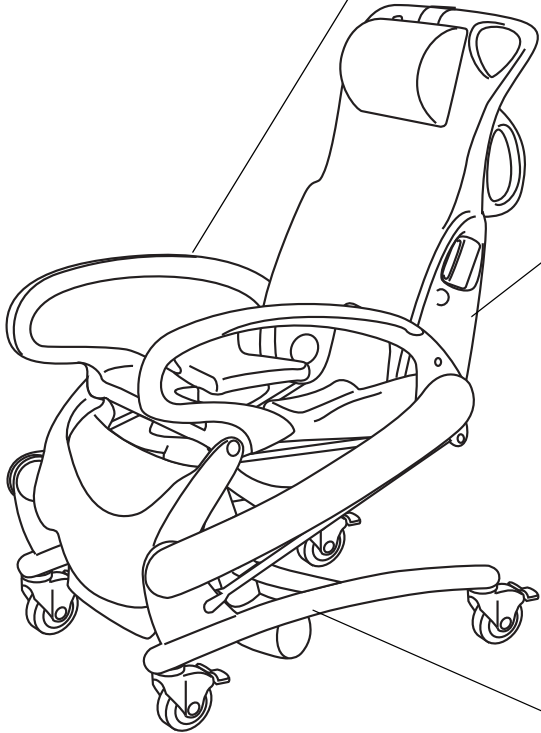
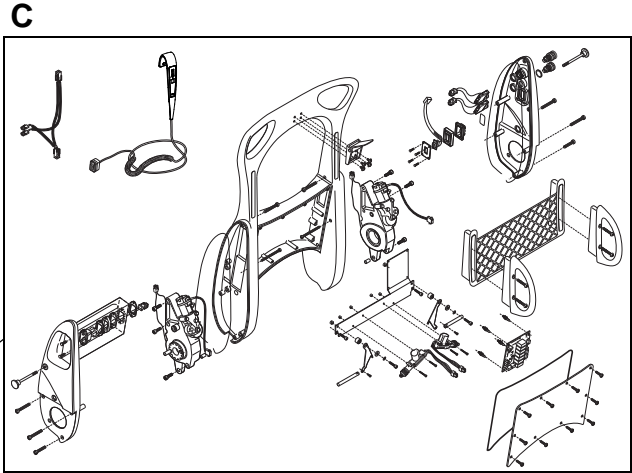
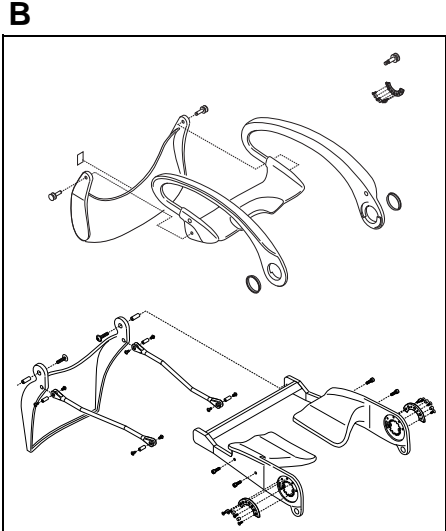
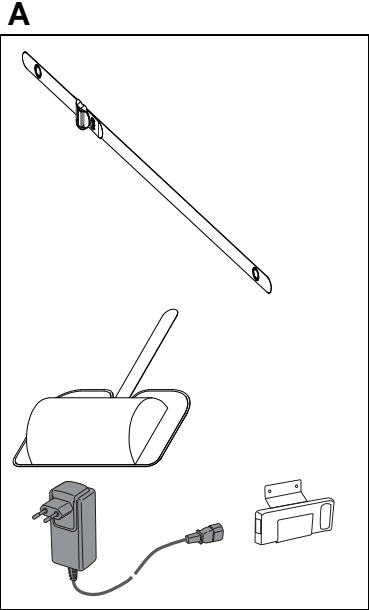
Contents

Overview	4
A General	6
B Seat and Care raiser	8
C Back rest	10
D Chassis and raiser	14
E Accessories	17
Preventive Maintenance Parts/Recommended Spares	18
Service Articles and Special Tools	19

Overview

Pos	Description	See page
A	General	6
B	Seat and Care raiser	8
C	Back rest	10
D	Chassis and raiser	14
E	Accessories	17

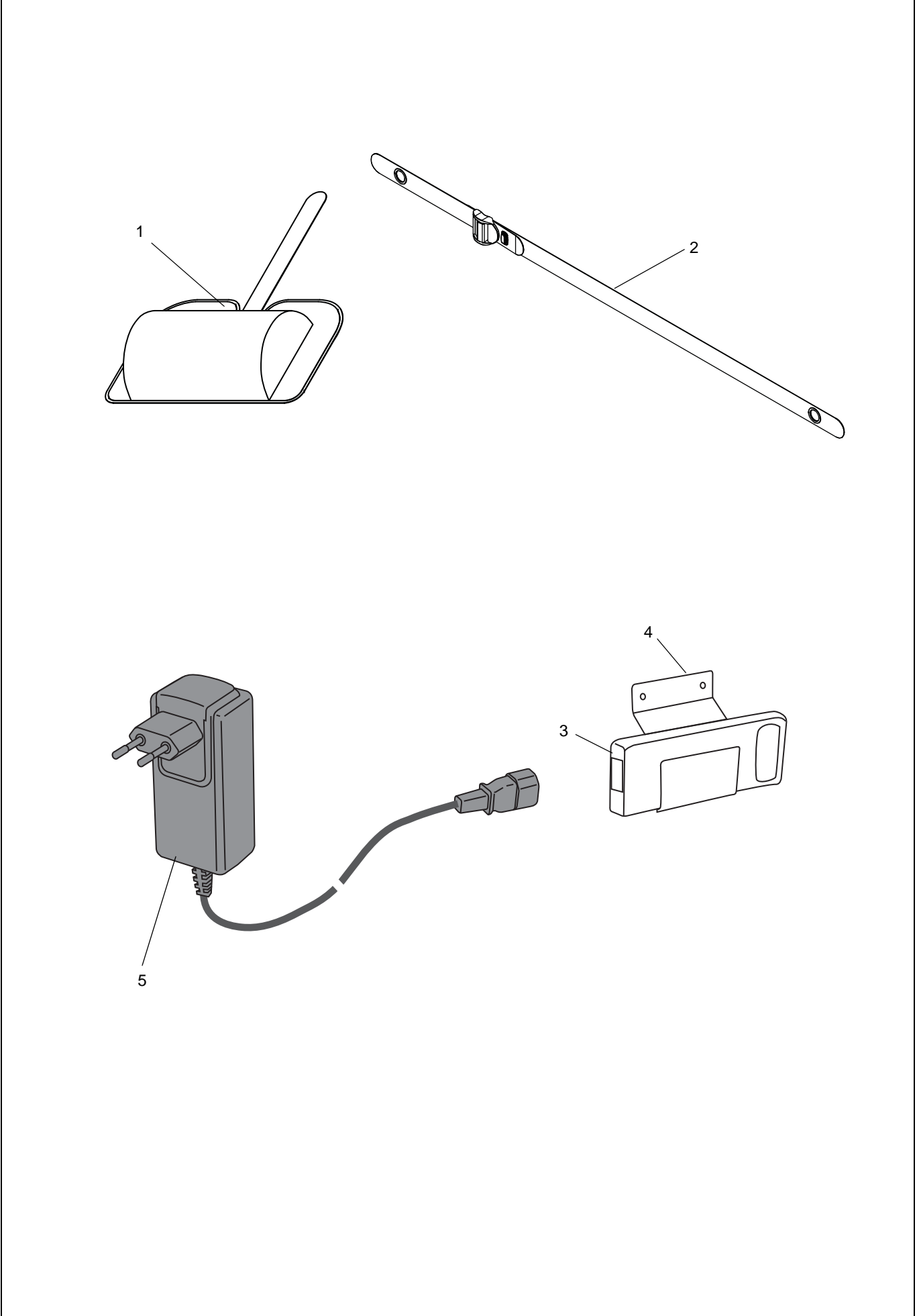
Overview



A*General*

Pos	Art. No.	Qty	Description	From ser. No.	Up to ser. No.	Remarks
1	8350897-031	1	Neck pillow			
2	S8662104-03	1	Safety belt			New version 1206000984.
3	NEA0100-083	1	Battery			New lilac version, higher capacity
4	8350891-031	1	Battery holder			
5	NEA8000-WW NEA8000-AU	1	Battery charger			New version 2013-14, AU-version also used for Japan

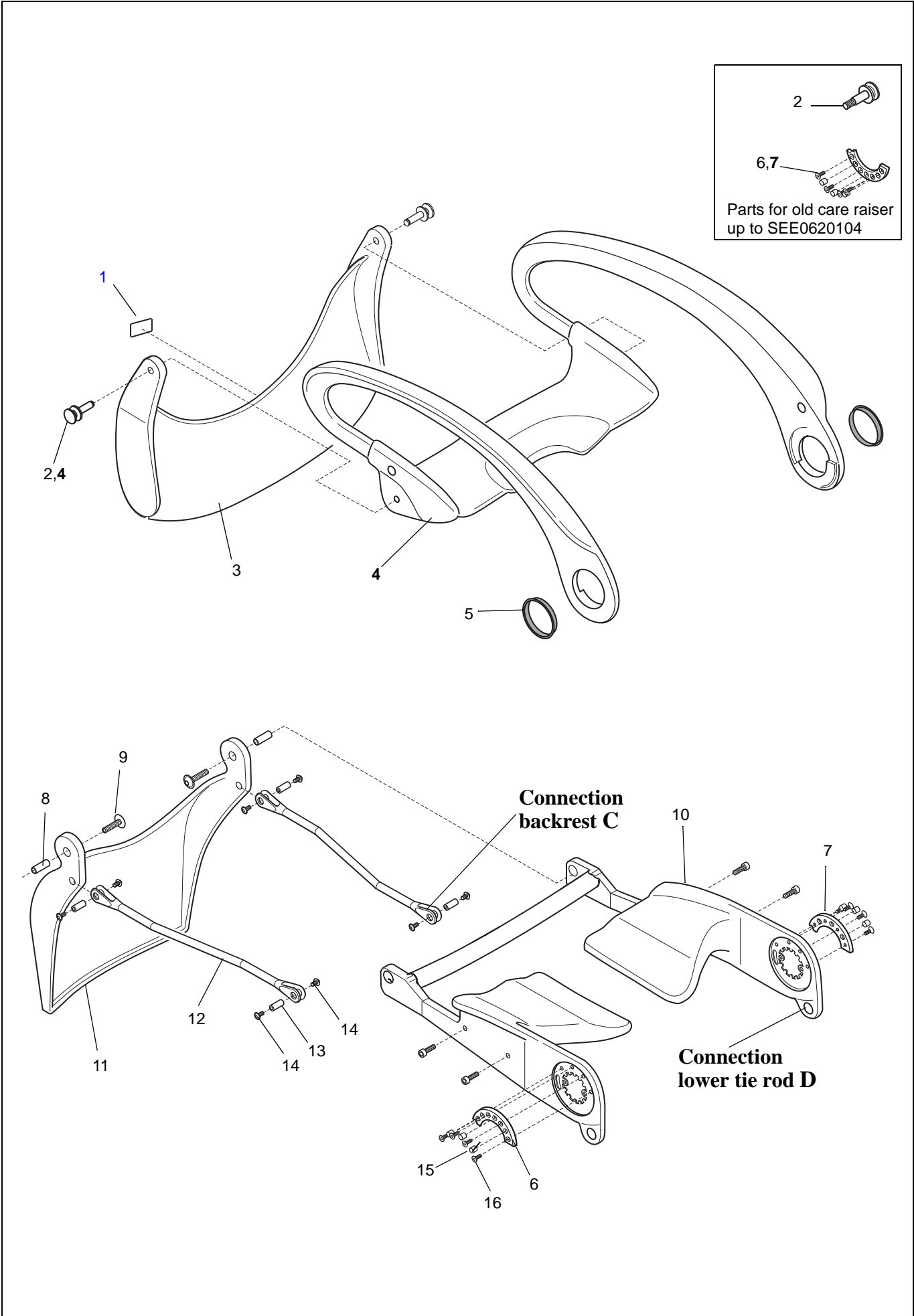
A



B*Seat and Care raiser*

Pos	Art. No.	Qty	Description	From ser. No.	Up to ser. No.	Remarks
1	8418700	1	Arjohuntleigh badge			Introduced July 2013
2	8450347 8457966-013	2	Knob	SEE0620 105	SEE0620 104	Old care raiser New care raiser
3	8250884-01	1	Leg support			New version 2013 for AH-badge
4	S8557970-014	1	Care raiser, complete			New version (divided in three parts)
5	8452741	2	Plain bearing			
6	8351074	1	Segment A			Up to SEE06020104 Qty=2
7	8351075	1	Segment B			Up to SEE06020104 Qty=2
8	8450886	2	Socket			New version 1101000963
9	6190437	2	Screw A2-K6S ISO 7380 M8x30-70			
10	8250494-01	1	Seat			New version 1011000436
11	8250880-01	1	Raiser			
12	8353183	2	Upper tie rod			
13	8451751	4	Pin			
14	6190425	8	Screw A2-MKFLT-M5x10-70			5x10 replaces 5x8 (October 2007)
15	8450877	12	Spacer			
16	6150616	16	Screw A4 MF6S ISO 10642 M6x16			BUMAX 88

B

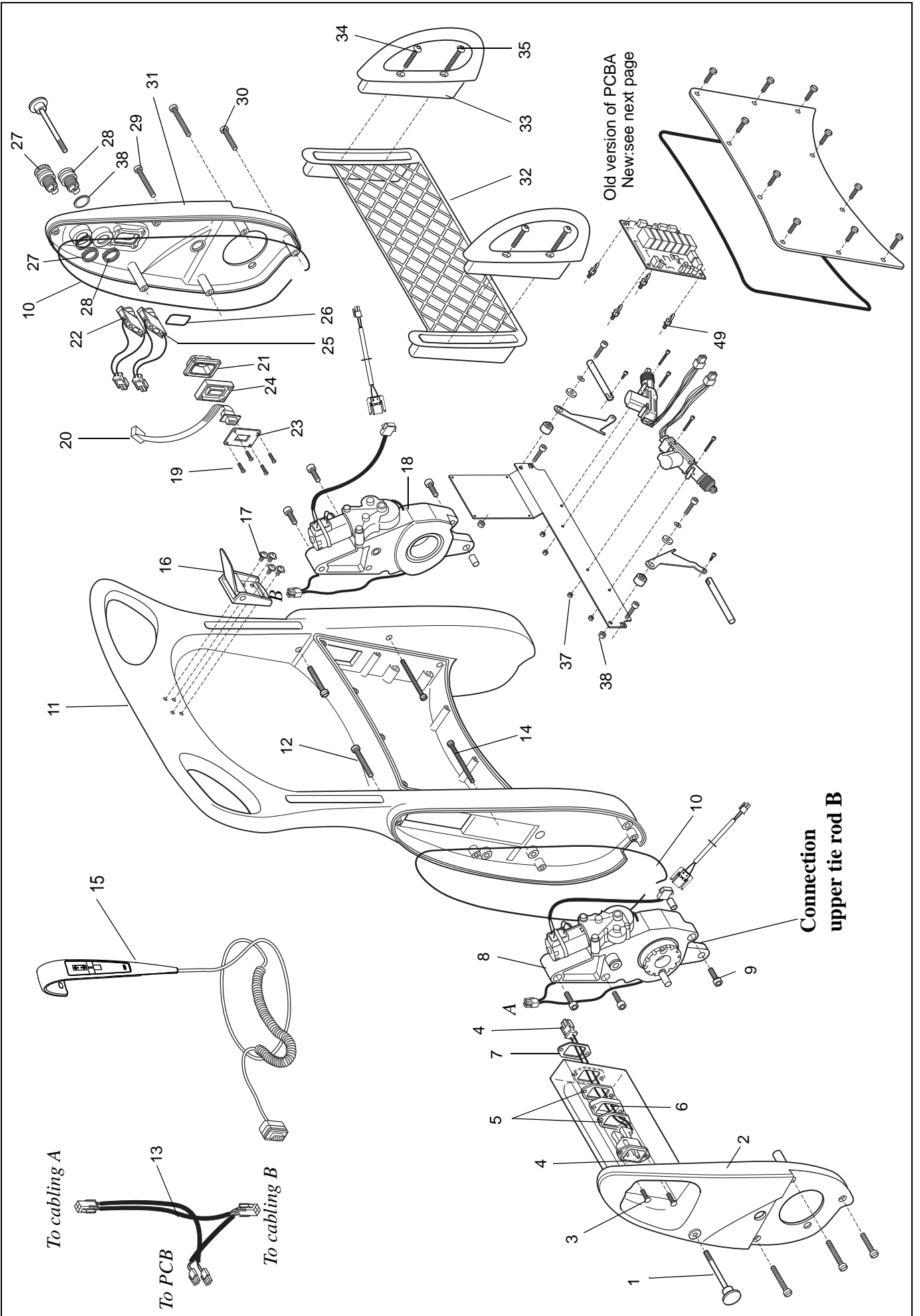


C

Back rest

Pos	Art. No.	Qty	Description	From ser. No.	Up to ser. No.	Remarks
1	8350847-01	2	Knob			
2	8250848-01	1	Cover, left			
3	6190245	2	Screw A4-FX ISO 7046 M3x16-80-Z			
4	8547123	1	Battery cabling			Divided in two parts
5	8451301	2	Seal			
6	8451361	1	Spacer			
7	8451284	1	Bracket			
8	S8553052	1	Worm gear unit, left			Up to SEE0533465 cabling pos 13 needed.
9	6130820	6	Screw A4 MC6S ISO 4762 M8x20-80			
10	6315009	2	Rubber tube, silicone			
11	8250852-01	1	Back rest			
12	6190467	2	Screw A4-MRX ISO 7045 M6x45-80-Z			
13	8362274	1	Microswitch cabling, worm gear units			New version 1201000630
14	S6190465	2	Screw A2-MRX ISO 7045 M5x70-70-H			
15	8560036	1	Hand control			New version PO403152 SEE TAN C/2015/POZ107
16	8350874	1	Buckle			
17	6190425	4	Screw A2-MKFLT-M5x10-70			5x10 replaces 5x8 (October 2007)
18	S8553051	1	Worm gear unit, right			Up to SEE0533465 cabling pos 13 needed.
19	6190430	4	Screw A4-MRX ISO 7045 M3x16-80-Z			
20	8451070	1	Hand set, cabling			
21	8663980	1	Contact housing			New version Oct.2013, no hooks
22	8460720	1	Emergency shutdown, cabling			New version 0810000021 On old versions also button pos.27 must be replaced with the new part 6319516
23	8451283	1	Bracket			
24	6303127	1	Spacer KXX 11400.0			
25	8460735	1	Emergency lowering, cabling			New version 081000002. On old versions also button pos.28 must be replaced with new parts 6319517, 8460736
26	6262444	1	O-ring			
27	6319516	1	Push button red			New version 0810000021 On old versions the Cabling pos.22 must be replaced with the new version 8460720
28	6319517	1	Push button green			New version 0810000021. On old versions also cabling pos.25 must be replaced with new parts 8460735, 8460736
29	6190464	4	Screw A4-MRX ISO 7045 M5x60-80-Z			
30	6190466	2	Screw A4-MRX ISO 7045 M6x35-80-Z			
31	8250846-01	1	Cover, right			
32	8250870-01	1	Net			
33	8250869-01	2	Handle			
34	6190423	2	Screw A2-K6S ISO 7380 M6x45-70			
35	6190424	2	Screw A2-K6S ISO 7380 M6x55-70			

C

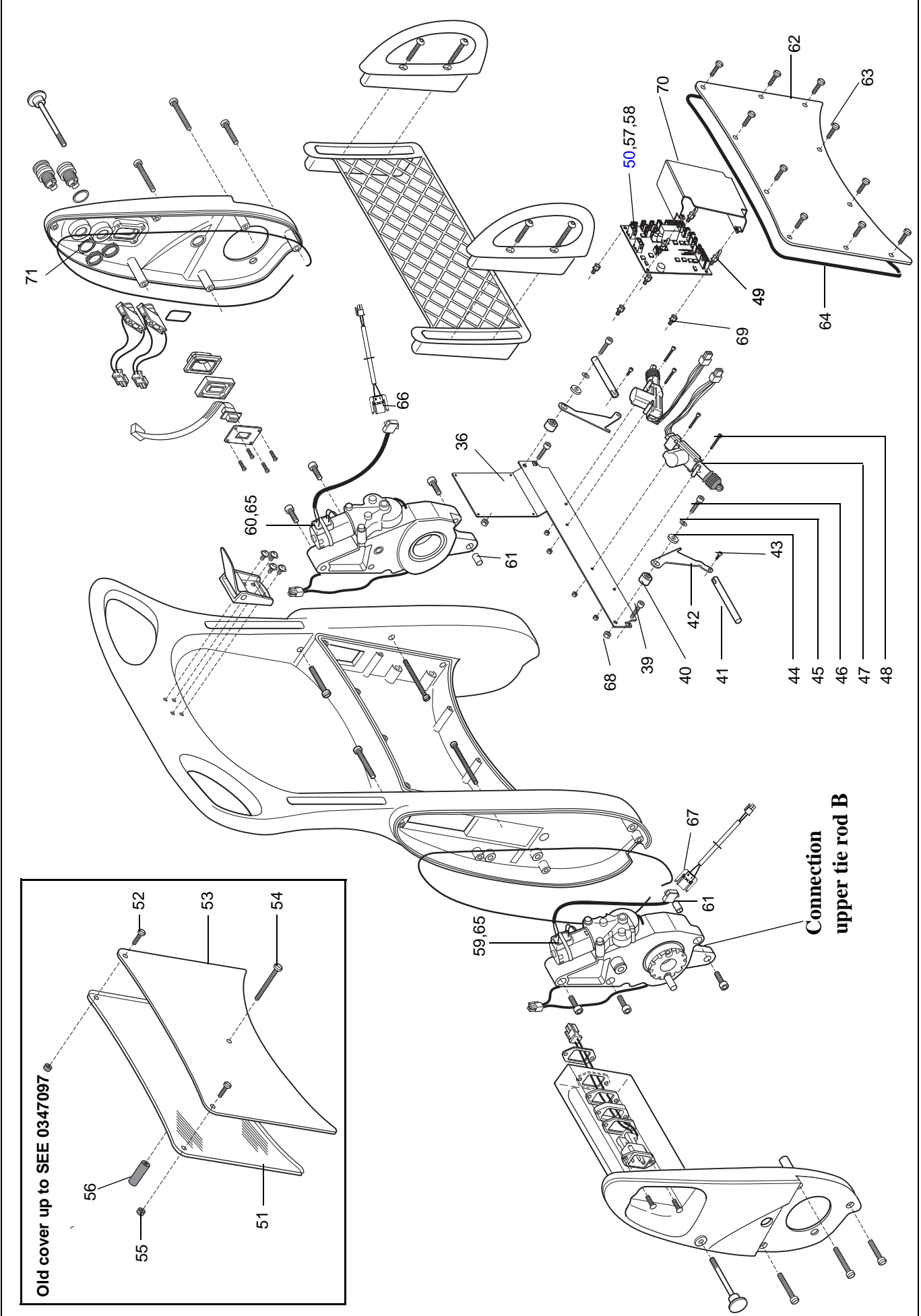


C

Back rest

Pos	Art. No.	Qty	Description	From ser. No.	Up to ser. No.	Remarks
36	8250535	1	Mounting plate			New version SEE0347098
37	6210041	4	Locking nut M4 A4 DIN 985			
38	8460736	1	Spacer	0810000021		
39	6130610	2	Screw A4 MC6S ISO 4762 M6x10-80			2 screws for new version 8250535
40	8450394	2	Bearing for arm			
41	8450395	2	Carrier shaft			
42	8450534	2	Arm			
43	6130412	2	Screw A4 MC6S ISO 4762 M4 x12-70			
44	8451056	2	Bearing washer			
45	6200003	2	Washer A4 BRB ISO 7089 6.4x12x1.6			200HV
46	6130630	2	Screw A4 MC6S ISO 4762 M6x30-80			
47	8351429	2	Locking device 12 V			
48	6130440	4	Screw A4 MC6S ISO 4762 M4 x40-70			From 1305000278 vaxed
49	6319309	3	Spacer snap-in			4 pcs up to 1205001019 see previous side
50	SHMX1456	1	PCBA incl.fuses			From P0519014, November 2018
51	8351586	1	Membrane sealing		SEE0347097	
52	6190399	2	Screw A4-MRX ISO 7045 M5x16-80-Z		SEE0347097	
53	8250872-01	1	Cover, service		SEE0347097	
54	6190468	1	Screw A4 MRX ISO 7045 M6x60-80-Z		SEE0347097	
55	8451849	2	Spacer		SEE0347097	
56	8451848	1	Spacer		SEE0347097	
57	6379014	2	Fuse T8AL 5x20mm			
58	6379095	1	Fuse T6,3AL 5x20mm			
59	8351428	1	Motor left, worm gear unit		SEE0526055	
60	8351291	1	Motor right, worm gear unit		SEE0526055	
61	6306111	2	Bushing			
62	8256526-01	1	Cover	SEE0347098		
63	6190483	10	Screw A4-MRT ISO 14583 M5x16-80	SEE0347098		
64	S6270359	1	Seal	SEE0347098		
65	6312163	2	Motor worm gear unit	SEE0526056		Will also fit old Carendo incl. pos 66 or 67
66	8357480	1	Cabling, right	SEE0526056		
67	8357481	1	Cabling, left	SEE0526056		
68	6210043	2	Locking nut A4 DIN 985 M6-80			
69	6303149	4	Spacer	1205001019		
70	8663390	1	Protection plate	1205001019		
71	8664495	1	Rotation stop			Introduced November 2013

C



Old cover up to SEE 0347097

52

53

54

56

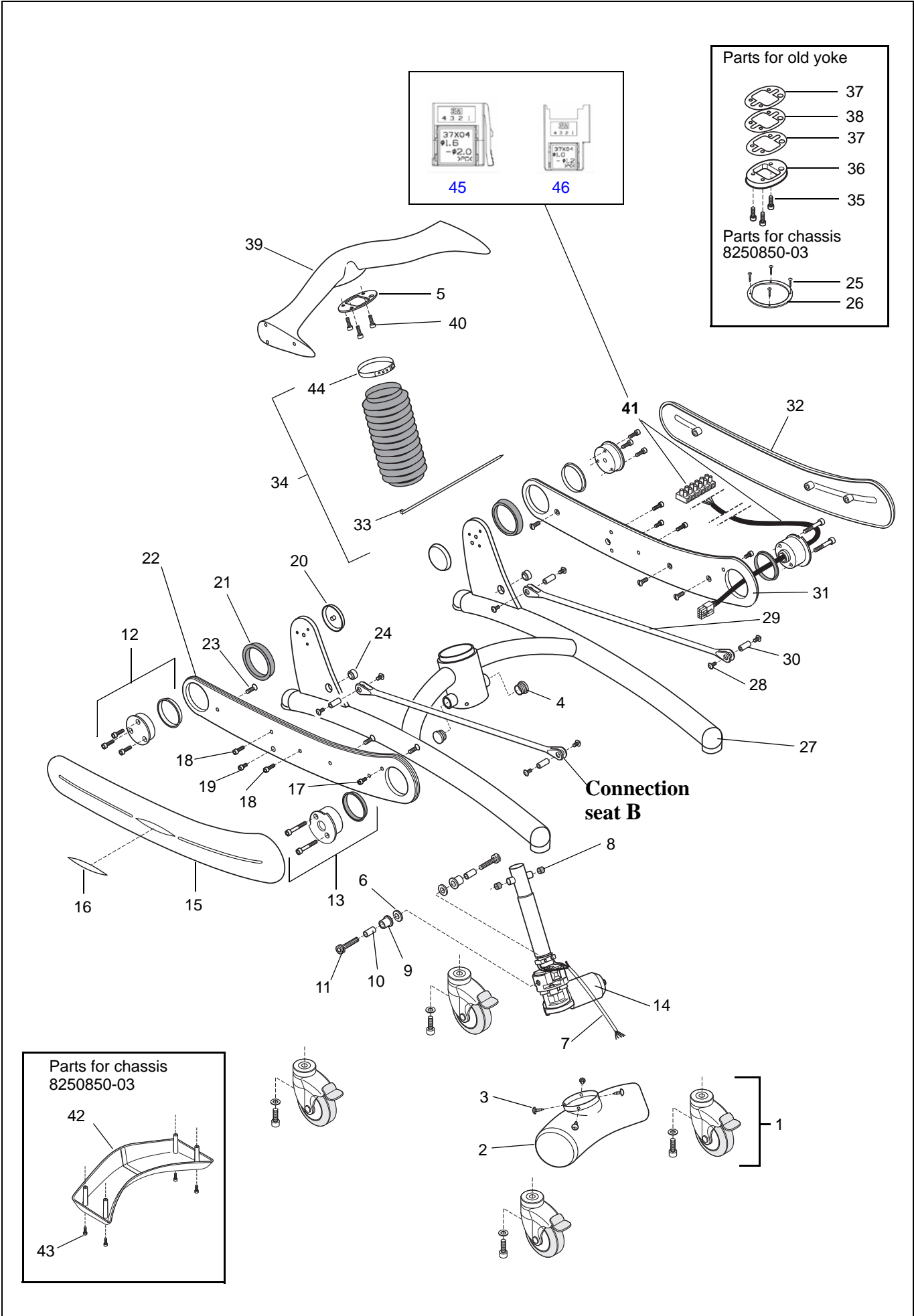
55

51

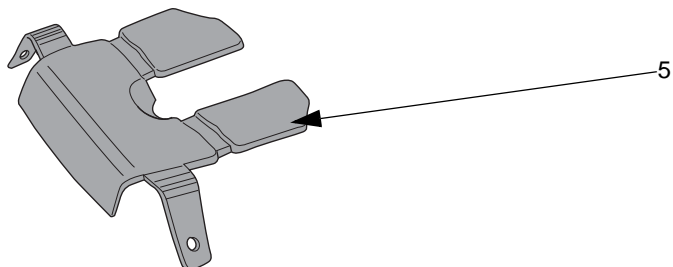
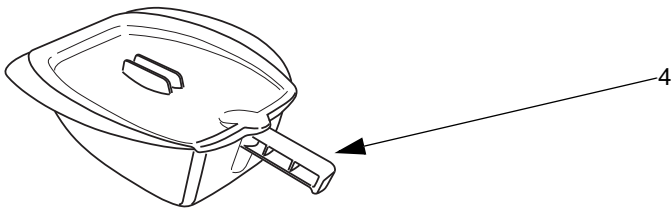
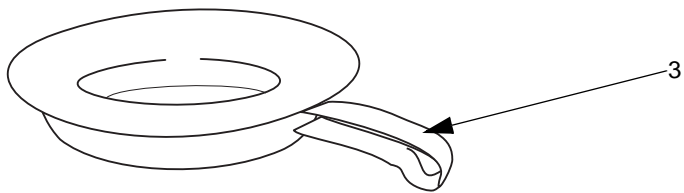
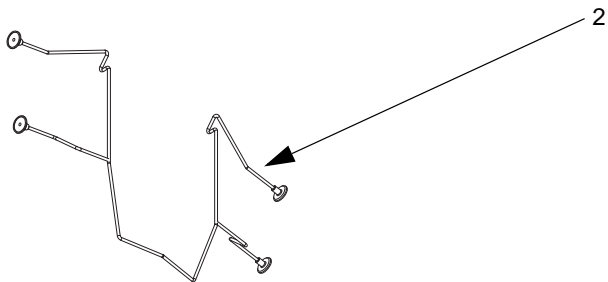
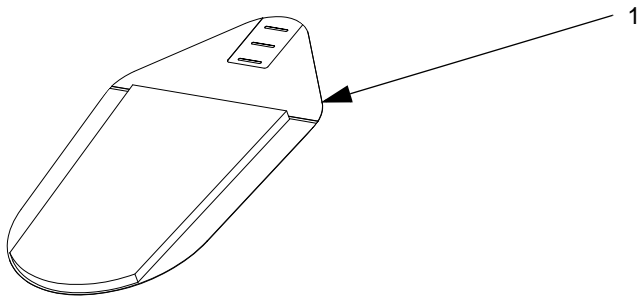
Connection
upper tie rod B

D						
<i>Chassis and raiser</i>						
Pos	Art. No.	Qty	Description	From ser. No.	Up to ser. No.	Remarks
1	8546732	4	Castor kit			
2	8256820-036	1	Actuator cover	SEE0448434		From 1002000465 w. drainage holes
3	6190269	4	Screw A2- K6S ISO 7380 M5x10-70	SEE0448434		
4	6316285	2	Plug	SEE0448434		
5	8356689	1	Bellow bracket	SEE0432093		
6	6200019	2	Washer	SEE0528149		
7	8546910	1	Cabling actuator with microswitches			Connectors removed
8	6306110	2	Plain bearing			
9	6306113	2	Flanged bearing			
10	8452453	2	Spacing sleeve			
11	6131035 6131040	2	Screw A4 MC6S ISO 4762 M10x35- 80 Screw A4 MC6S ISO 4762 M10x40- 80	SEE0528149	SEE0528148	
12	8546903-031 8546920-031	2	Lift arm lower bearing kit Lift arm lower bearing kit, new chassis	SEE0448434		Chassis 8250850-03 Chassis 8256813-031, 8257441-031
13	8546904-031	2	Lift arm upper bearing kit			
14	8546946	1	Actuator kit, incl. pos 33,37,38,44			For old and new yoke, also incl. connection block and new connectors
15	S8250840-032	1	Cover, left			
16	8618785	2	Carendo-label			New version 1307000134
17	6130810	2	Screw A4 MC6S ISO 4762 M8x10-80			
18	6130822	4	Screw A4 MC6S ISO 4762 M8x22			BUMAX88
19	6130816	2	Screw A4 MC6S ISO 4762 M8x16-80			
20	8356821-035	2	Angle bracket	SEE0448434		
21	8457365	2	Spacer	SEE0448434		
22	8250419-031	1	Liftarm, left			
23	6150616	6	Screw A4 MF6S ISO 10642 M6x16			BUMAX 88
24	6306104	2	Radial direction bearing			
25	6190420	4	Screw A2 RTS ISO 14585 ST2.9x13			For chassis 8250850-03 only
26	8452618	1	Bracket for bellows, lower			For chassis 8250850-03 only
27	8257441-031	1	Chassis	SEE0528149		Replaces 8256813-031
28	6190425	8	Screw A2-MKFLT-M5x10-70			5x10 replaces 5x8 (October 2007)
29	8353182	2	Lower tie rod			
30	8451751	4	Pin			
31	8250418-031	1	Lift arm, right			
32	S8250839-032	1	Cover, right			
33	6301156	1	Strap			
34	8546748	1	Bellows incl.clamp and strap			New version1206000025
35	6130625	3	Screw A4 MC6S ISO 4762 M6x25-80			For old yoke 8250851-031 only
36	8350838-031	1	Bracket for bellows, upper			For old yoke 8250851-031 only
37	8452080	2	Sealing			For old yoke 8250851-031 only
38	8353144	1	Washer			For old yoke 8250851-031 only
39	8254844-031	1	Lifting yoke			
40	6130610	3	Screw A4 MC6S ISO 4762 M6x10-80	SEE0432093		
41	8546910	1	Kit Chassis cabling			Incl connection block and pos 45,46
42	8250833-03	1	Cover, bottom			For chassis 8250850-03 only
43	6130612	4	Screw A4 MC6S ISO 4762 M6x12-80			For chassis 8250850-03 only
44	6319507	1	Clamp			SEE 0803053
45	6370587	1	Connector 3M 37103-A165-00E-MB			Included in kit 8546910
46	6370586	1	Connector 3M 37303-A165-00E-MB			Included in kit 8546910

D



<i>E</i> <i>Accessories</i>						
Pos	Art. No.	Qty	Description	From ser. No.	Up to ser. No.	Remarks
1	NEA 0001-031	1	Back pillow			
2	NEA 1101-90	1	Bedpan holder			
3	CDA 1200-04	1	Bedpan, old			For NEA 1100-90
4	CDA1500-07	1	Bedpan			
5	NEA 0004	1	Seat pillow			



Carendo

Preventive Maintenance Parts/Recommended Spares

Preventive Maintenance Parts	Part number	Number of Carendo		Page
		1	5	
Castor Kit	8546732	4	20	D:1
Safety belt	S8662104-03	1	2	A:2

Recommended Spares	Part number	Number of Carendo		Page
		1	5	
Actuator cover	8256820-036	1	1	D:2
Actuator kit	8546946	1	1	D:14
Battery	NEA0100-02	1	2	A:3
Bellows	8546748	1	1	D:34
Cable, microswitch	8362274	1	1	C:13
Cabling left	8357481	1	1	C:67
Cabling right	8357480	1	1	C:66
Fuse T6,3AL 5x20mm	6379095	1	2	C:58
Fuse T8AL 5x20mm	6379014	2	4	C:57
Hand control	8560036	1	2	C:15
Locking device	8351429	1	2	C:47
Motor worm gear unit (will also fit old Carendo with cabling 8357481 (left) or 8357480 (right))	6312163	1	1	C:65
PCBA	SHMX1456	1	1	C:50
Worm gear unit, left	S8553052	1	1	C:8
Worm gear unit, right	S8553051	1	1	C:18

Carendo

Service Articles and Special Tools

Service Articles	Type	Quantity	Part number
OKS 403	Lubrication	400ml cartridge	6907906
Wekem WS267 (replaces Shell Cas- sida)	Lubrication	400ml spray	6311457
Loctite 243	Locking	10ml	6950607
Loctite 2701	Locking	5ml	6950609
Shell Gadus S3 A1300C	Lubrication	400ml cartridge	6907945
Touch-up paint	Grey	20ml	6951007-031
Vaseline	Anti-corrosion	400ml spray	6319544

Special Tools	Part number
Battery Condition Tester	8662950
Spare Part bulb for 8662950	S6311425
Magnetics plastic tool	6907384
PCB detacher	8453102

At Arjo, we are committed to improving the everyday lives of people affected by reduced mobility and age-related health challenges. With products and solutions that ensure ergonomic patient handling, personal hygiene, disinfection, diagnostics, and the effective prevention of pressure ulcers and venous thromboembolism, we help professionals across care environments to continually raise the standard of safe and dignified care. Everything we do, we do with people in mind.



ArjoHuntleigh AB
Hans Michelsensgatan 10
211 20 Malmö, Sweden
www.arjo.com

arjo