

# Aquatec® Ocean/Ocean Ergo family

Ocean/Ocean XL, Ocean Ergo/Ocean Ergo XL, Ocean VIP/Ocean Dual VIP, Ocean VIP Ergo/Ocean Dual VIP Ergo, Ocean E-VIP

en	Shower chairs Service Manual .....	3
de	Duschstühle Servicehandbuch .....	31
fr	Chaises de douche Manuel de maintenance .....	63
da	Brusebadstole Servicemanual .....	95
nn	Dusjstol Servicehåndbok .....	123
sv	Duschstolar Servicemanual .....	151
fi	Suihkutuolit Huoltokäsikirja .....	179



PROVIDER: Keep this manual.  
The procedures in this manual MUST be performed by a qualified technician.

**AQUATEC®**



**Yes, you can.®**

©2021 Invacare Corporation

All rights reserved. Republication, duplication or modification in whole or in part is prohibited without prior written permission from Invacare. Trademarks are identified by ™ and ®. All trademarks are owned by or licensed to Invacare Corporation or its subsidiaries unless otherwise noted.

Alle Rechte vorbehalten. Die Weiterveröffentlichung, Vervielfältigung oder Änderung im Ganzen oder in Teilen ohne vorherige schriftliche Genehmigung von Invacare ist untersagt. Marken sind durch ™ und ® gekennzeichnet. Soweit nicht anders angegeben, sind alle Marken Eigentum der Invacare Corporation bzw. ihrer Tochtergesellschaften oder werden von diesen in Lizenz genutzt.

Tous droits réservés. La republication, la duplication ou la modification de tout ou partie du présent document est interdite sans l'accord écrit préalable d'Invacare. Les marques commerciales sont identifiées par ™ et ®. Toutes les marques commerciales sont détenues par ou cédées sous licence à Invacare Corporation ou ses filiales, sauf stipulation contraire.

Alle rättigheter förbehålles. Hel eller delvis gengivelse, kopiering eller ændring er forbudt uden forudgående skriftlig tilladelse fra Invacare. Varemerker er markeret med ™ og ®. Alle varemerker ejes af eller er givet i licens til Invacare Corporation eller denne virksomheds filialer, medmindre andet fremgår.

Med enerett. Det er forbudt å republisere, kopiere eller endre hele eller deler av denne veiledningen uten at det på forhånd er innhentet skriftlig tillatelse fra Invacare. Varemerker angis med ™ og ®. Alle varemerker eies av eller lisensieres til Invacare Corporation eller tilhørende datterselskaper med mindre annet er angitt.

Med ensamrätt. Innehållet får inte ges ut på nytt, mångfaldigas eller förändras helt eller delvis utan föregående skriftligt tillstånd från Invacare. Varumärken betecknas med ™ och ®. Samtliga varumärken tillhör eller är licensierade till Invacare Corporation eller dess dotterbolag om ingenting annat anges.

Kaikki oikeudet pidätetään. Koko materiaalin tai sen osan uudelleenjulkaisu, jäljentäminen tai muuttaminen on kiellettyä ilman Invacaren etukäteen antamaa kirjallista lupaa. Tavaramerkit osoitetaan symboleilla ™ ja ®. Kaikki tavaramerkit ovat Invacare Corporationin tai sen tytäryhtiöiden omistamia tai lisensoimia, ellei toisin ole ilmoitettu.

---

# Contents

---

<b>1 General</b> .....	<b>4</b>
1.1 Introduction .....	4
1.2 Symbols in This Manual .....	4
<b>2 Safety</b> .....	<b>5</b>
2.1 General safety information .....	5
2.2 Personal safety information .....	5
2.3 Electrical safety check .....	5
<b>3 Servicing</b> .....	<b>6</b>
3.1 Inspection checklist .....	6
3.2 Spare parts .....	6
3.3 Color codes for frame .....	6
<b>4 Reconditioning</b> .....	<b>7</b>
4.1 Cleaning and disinfection .....	7
4.2 Material overview .....	7
4.3 Reconditioning scheme .....	7
<b>5 Instructions</b> .....	<b>11</b>
5.1 General repair information .....	11
5.2 Replacing the armrest (=> 01/2021) .....	11
5.2.1 Replacing the armrest pad (=> 01/2021) .....	11
5.3 Replacing the armrest (02/ 2021 =>) .....	12
5.4 Replacing the footrest holder (Ocean VIP / Ocean Dual VIP / Ocean E-VIP) .....	13
5.5 Replacing the foot plates .....	13
5.5.1 Replacing the flexible mounting pin .....	14
5.5.2 Removing/Installing the swivel joint .....	14
5.6 Replacing the castors .....	14
5.6.1 Removing/installing the castor wheel .....	15
5.7 Replacing the inner/outer side part covers (Ocean VIP Ergo / Ocean Dual VIP Ergo) .....	15
5.8 Replacing the seat bearing fixation (Ocean VIP Ergo / Ocean Dual VIP Ergo) .....	16
5.9 Replacing the side parts (Ocean VIP Ergo / Ocean Dual VIP Ergo) .....	17
5.10 Replacing the gas spring — release mechanism — Bowden cable for backrest tilting (Ocean Dual VIP / Ocean Dual VIP Ergo) .....	18
5.11 Replacing the gas spring — release mechanism — Bowden cable for seat tilting (Ocean VIP / Ocean Dual VIP) .....	23
5.12 Replacing the Bowden cable for seat tilting (Ocean VIP Ergo / Ocean Dual VIP Ergo) .....	25
5.13 Cutting the headrest / footrest / amputation support to length .....	27
5.14 Connecting diagram (Ocean E-VIP) .....	29

---

# 1 General

---

## 1.1 Introduction

This document contains important information about assembly, adjustment and advanced maintenance of the product. To ensure safety when handling the product, read this document and the user manual carefully and follow the safety instructions.

Find the user manual on Invacare's website or contact your Invacare representative. See addresses at the end of this document.

Invacare reserves the right to alter product specifications without further notice.

Before reading this document, make sure you have the latest version. You find the latest version as a PDF on the Invacare website.

For pre-sale and user information, see the user manual.

For more information about the product, for example product safety notices and product recalls, contact your Invacare representative. See addresses at the end of this document.

## 1.2 Symbols in This Manual

Symbols and signal words are used in this manual and apply to hazards or unsafe practices which could result in

personal injury or property damage. See the information below for definitions of the signal words.



### WARNING

Indicates a hazardous situation that could result in serious injury or death if it is not avoided.



### CAUTION

Indicates a hazardous situation that could result in minor or slight injury if it is not avoided.



### IMPORTANT

Indicates a hazardous situation that could result in damage to property if it is not avoided.



### Tips

Gives useful tips, recommendations and information for efficient, trouble-free use.



### Tools

Identifies required tools, components and items which are needed to carry out certain work.

## 2 Safety

### 2.1 General safety information



**WARNING!**

**Risk of injury or damage to property**

- The procedures in this manual must only be performed by a qualified technician.
- Use only original accessories and spare parts.
- Do not handle this product or any available optional equipment without first completely reading and understanding these instructions and any additional instructional material such as user manuals, installation manuals or instruction sheets supplied with this product or optional equipment.
- After each assembly, check that all fittings are properly tightened and that all parts have the correct function.



**WARNING!**

**Risk of contamination**

- Clean and disinfect the product before servicing.



**IMPORTANT!**

- Assembly of accessories might not be described in this service manual. Refer to the manual, delivered with the accessory.
- Additional manuals are available on request. See addresses at the end of this document.



**IMPORTANT!**

- Some replacement parts are only available as a kit. Always use the complete new kit when replacing a part.
- Spare parts can be ordered from Invacare. Refer to your local Invacare website to access the electronic spare parts catalogue (ESPC).



**IMPORTANT!**

- Refer to the user manual of this product for information on
- Technical data
  - Product components
  - Labels
  - Additional safety instructions
  - Cleaning and disinfection instructions



The information contained in this document is subject to change without notice.

### 2.2 Personal safety information

These safety instructions are intended to help avoid accidents during work and must be observed under all circumstances.

All employees coming into contact with contaminated products must regularly consult a company doctor. Work clothing and personal protective equipment must be available in necessary quantities and be in proper condition. Reliable hand and surface disinfection must be ensured.



**WARNING!**

**Risk of contamination**

- Clean and disinfect the product before carrying out repairs.

### 2.3 Electrical safety check



**IMPORTANT!**

- Regular electrical checks according to EN 62353 (VDE0751) must be carried out in line with national requirements.

1. Inspect all electronic components for damage to the casing or cable, test functions and check for stray current.

## 3 Servicing

### 3.1 Inspection checklist

<b>General inspection</b>	☺	☹
Is the product in good condition and is it complete (product and accessories)?	<input type="checkbox"/>	<input type="checkbox"/>
Is the product free from damage or weaknesses of any kind?	<input type="checkbox"/>	<input type="checkbox"/>
Does the product operate correctly under nominal load?	<input type="checkbox"/>	<input type="checkbox"/>
Is the product fully functional in accordance with the user manual?	<input type="checkbox"/>	<input type="checkbox"/>
<b>Eradication of faults</b>	☺	☹
Have all the faults found been eliminated and have faulty components been replaced?	<input type="checkbox"/>	<input type="checkbox"/>
Are all screws/bolts firmly fitted and is the product securely assembled?	<input type="checkbox"/>	<input type="checkbox"/>
<b>Completion of checks</b>	☺	☹
Is the product technically and functionally safe?	<input type="checkbox"/>	<input type="checkbox"/>
Has the product been cleaned and disinfected?	<input type="checkbox"/>	<input type="checkbox"/>

Is the identification label easily readable and is it securely mounted on the product?	<input type="checkbox"/>	<input type="checkbox"/>
Is the product accompanied by the latest revision of the user manual?	<input type="checkbox"/>	<input type="checkbox"/>

### 3.2 Spare parts



**WARNING!**

Original spare parts must be used in all repairs. Otherwise the warranty and product declaration of conformity shall be rendered invalid.

All spare parts must be obtained from the Invacare customer service department. An electronic spare parts catalogue can be found at [www.invacare.co.uk](http://www.invacare.co.uk).

### 3.3 Color codes for frame

Item	Color code (RAL)
Frame tubes	White, RAL 9003
Basis tubes (Ocean E-VIP)	Grey RAL7042 / coatless
Footrest tubes / Headrest tubes	coatless
Armrest holder	Blue, RAL 5002

## 4 Reconditioning

### 4.1 Cleaning and disinfection

The product can be cleaned and disinfected using commercially available agents.

1. Remove any accessories fitted (only accessories which do not require tools).
2. Pull the footrests out of the guides.
3. Remove the seat plate and the backrest cover.
4. For Ocean VIP Ergo/Ocean Dual VIP Ergo: Remove the brake covers and clamping protection.
5. Wipe down the individual parts using a cloth or brush and commercially available cleaning agents and disinfectants.
6. Rinse the parts with warm water.
7. Dry the parts with a cloth.
8. Re-assemble the product.



#### IMPORTANT!

All cleaning agents and disinfectants used must be effective, compatible with one another and must protect the materials they are used to clean. For further information on decontamination in Healthcare Environments, please refer to your local guidelines on infection control and your local infection control policy.

- Clean by hand or in a washing machine or autoclave.
- Clean without scouring agent.

#### Cleaning in a clinical environment



In addition to cleaning as described above we recommend to clean the product after the release of each patient, after ending of the period of use or on a regular basis (depending on which occurs first) at

- 90°C for 1 minute
- 85°C for 3 minutes
- 80°C for 10 minutes

in the washing machine or autoclave.



#### CAUTION!

##### Risk of burning your skin

– Allow the product to cool after cleaning in the autoclave.

#### Cleaning the backrest cover

1. Remove the backrest cover.
2. Machine-wash the cover at max. 60 °C using a mild detergent.

### 4.3 Reconditioning scheme

The following items must be reviewed and checked when reconditioning is required:

#### General

	Check for	Troubleshooting action	OK
1	Correct assembly of all parts, are all screws tightened incl. castors	Tighten screws, with thread locker if applicable. See graphics for torques.	<input type="checkbox"/>



#### IMPORTANT!

##### Risk of damage

- Washing at higher temperatures can cause damage.
- Do not tumble dry covers.



#### IMPORTANT!

Excessive cleaning can damage textile.

- We recommend to change the backrest cover every two years for hygiene reasons.

#### Cleaning the toilet pan (optional)

The toilet pan can be cleaned in an autoclave at following temperatures/times:

- 90 °C for 1 minute
- 85 °C for 3 minutes
- 80 °C for 10 minutes.

#### Disinfection

1. Disinfect the product by wiping down all generally accessible surfaces with disinfectant (after disassembling the product, if possible).

### 4.2 Material overview

For product materials see corresponding User Manual.

For accessory materials refer to the following table:

Accessory	Material(s)
Special Softseat / Variable Softseat / Soft Seats	PUR
Splash guard Ocean range	PUR
Splash guard Ocean Ergo range	PP
Comfort backrest	Vinyl leather / PVC liner
Backrest	PE-HD
Headrests pads / Pelotte	PUR
Calf- and Amputee support / Calf support with foot support	PUR (leg support) / PP (foot support)
Toilet pan holder	Stainless steel
Toilet pan with lid	PP

**Frame (all frame parts, tubes incl. backrest)**

	Check for	Troubleshooting action	OK
1	Mechanical damage of the frame parts (cracks, fractures)	Discard frame and replace with new one, see 5.9 <i>Replacing the side parts (Ocean VIP Ergo / Ocean Dual VIP Ergo)</i> , page 17 respectively the user manual.  Otherwise discard the product.	<input type="checkbox"/>
2	Mechanical damage of the antitipper (Ocean Dual VIP / Ocean Dual VIP Ergo)	Replace the antitipper, see user manual.	<input type="checkbox"/>

**Side parts**

	Check for	Troubleshooting action	OK
1	Mechanical damage	Discard the side parts and replace with new one, see 5.9 <i>Replacing the side parts (Ocean VIP Ergo / Ocean Dual VIP Ergo)</i> , page 17 respectively the user manual.	<input type="checkbox"/>

**Seat**

	Check for	Troubleshooting action	OK
1	Seat damage (cracks, sharp edges)	Replace the seat, see user manual.	<input type="checkbox"/>
2	Wobbling, less stable seating		<input type="checkbox"/>
3	Damaged snaps on the underside		<input type="checkbox"/>

**Backrest cover**

	Check for	Troubleshooting action	OK
1	Backrest cover damage (cracks, open seams, damaged buckles)	Replace the backrest cover, see user manual.	<input type="checkbox"/>

**Footrest**

	Check for	Troubleshooting action	OK
1	Foot plate damage (cracks, sharp edges)	Replace the foot plates, 5.5 <i>Replacing the foot plates</i> , page 13	<input type="checkbox"/>
2	Damage to the foot rest fixation at the frame (Ocean VIP / Ocean E-VIP)	Replace the foot rest fixation, 5.4 <i>Replacing the footrest holder (Ocean VIP / Ocean Dual VIP / Ocean E-VIP)</i> , page 13	<input type="checkbox"/>
3	Damage to the tubes	Replace the complete footrest with new one, see user manual.	<input type="checkbox"/>
4	Damage to the attachment clips	Replace the footrest attachment clips with new ones.	<input type="checkbox"/>

**Armrest**

	Check for	Troubleshooting action	OK
1	Damage to the armrest tubes or armrest holders (cracks, sharp edges)	Replace the armrest with new one, 5.2 <i>Replacing the armrest</i> (=> 01/2021), page 11	<input type="checkbox"/>
2	Damage to the armrest pads (cracks, sharp edges)	Replace the armrest pad, 5.2.1 <i>Replacing the armrest pad</i> (=> 01/2021), page 11	<input type="checkbox"/>



**Castors**

	Check for	Troubleshooting action	OK
1	Sluggish or damaged swivel bearings	Replace the complete castor with a new one, 5.6 <i>Replacing the castors, page 14</i>	<input type="checkbox"/>
2	Sluggish castor wheel (bearings)		<input type="checkbox"/>
3	Damaged castor wheel running surface		<input type="checkbox"/>
4	Castor fork damage		<input type="checkbox"/>
5	Securely tightened connecting bolts to the frame	Replace connecting bolts with new tread locking adhesive.	<input type="checkbox"/>

**24" wheels (Ocean / Ocean Ergo)**

	Check for	Troubleshooting action	OK
1	Damage to the 24" wheels	Replace the 24" wheels, see mounting instruction.	<input type="checkbox"/>
2	Correct function of the brake (wheel must lock)	Carry out brake adjustment or replace the brakes, see mounting instruction.	<input type="checkbox"/>
3	Correct assembly of the 24" wheels, the locking pins protrude past the end of the hub to fully release	Carry out hub adjustment or replace the hub or axle, see mounting instruction.	<input type="checkbox"/>

**Headrest (Ocean VIP / Ocean Dual VIP / Ocean E-VIP / Ocean VIP Ergo / Ocean Dual VIP Ergo)**

	Check for	Troubleshooting action	OK
1	Damage to the headrest hardware (cracks, sharp edges)	Replace the headrest, see mounting instruction.	<input type="checkbox"/>
2	Damage to the headrest pad	Replace the headrest pad, see mounting instruction.	<input type="checkbox"/>

**Seat tilting mechanism (Ocean VIP / Ocean Dual VIP / Ocean VIP Ergo / Ocean Dual VIP Ergo)**

	Check for	Troubleshooting action	OK
1	Damage to the Bowden wire system or cable shells	Replace the Bowden wire system, 5.12 <i>Replacing the Bowden cable for seat tilting (Ocean VIP Ergo / Ocean Dual VIP Ergo), page 25 / 5.11 Replacing the gas spring — release mechanism — Bowden cable for seat tilting (Ocean VIP / Ocean Dual VIP), page 23</i>	<input type="checkbox"/>
2	Damage to the activation handle	Replace the activation handle, see user manual.	<input type="checkbox"/>
3	Function of tilting and fixation of the position, easy tilting and secure locking of the position is mandatory.	Adjust the Bowden wire, 5.12 <i>Replacing the Bowden cable for seat tilting (Ocean VIP Ergo / Ocean Dual VIP Ergo), page 25 / 5.11 Replacing the gas spring — release mechanism — Bowden cable for seat tilting (Ocean VIP / Ocean Dual VIP), page 23.</i>  Only for Ocean VIP Ergo / Ocean Dual VIP Ergo:  If tilting function to an angle below 0° is not possible, remove the tilt stoppers (optional accessory) if needed. Refer to Mounting Instruction of the accessory.	<input type="checkbox"/>
4	Gas Spring damage	Replace the gas spring, 5.12 <i>Replacing the Bowden cable for seat tilting (Ocean VIP Ergo / Ocean Dual VIP Ergo), page 25 / 5.11 Replacing the gas spring — release mechanism — Bowden cable for seat tilting (Ocean VIP / Ocean Dual VIP), page 23.</i>	<input type="checkbox"/>
5	Release mechanism damage	Replace the release mechanism, 5.12 <i>Replacing the Bowden cable for seat tilting (Ocean VIP Ergo / Ocean Dual VIP Ergo), page 25 / 5.11 Replacing the gas spring — release mechanism — Bowden cable for seat tilting (Ocean VIP / Ocean Dual VIP), page 23.</i>	<input type="checkbox"/>

**Backrest tilting mechanism (Ocean Dual VIP / Ocean Dual VIP Ergo)**

	<b>Check for</b>	<b>Troubleshooting action</b>	<b>OK</b>
1	Damage to the Bowden wire system or cable shells	Replace the Bowden wire system, <i>5.10 Replacing the gas spring – release mechanism – Bowden cable for backrest tilting (Ocean Dual VIP / Ocean Dual VIP Ergo), page 18.</i>	<input type="checkbox"/>
2	Damage to the activation handle	Replace the activation handle, see user manual.	<input type="checkbox"/>
3	Function of tilting and fixation of the position, easy tilting and secure locking of the position is mandatory.	Adjust the Bowden wire, <i>5.10 Replacing the gas spring – release mechanism – Bowden cable for backrest tilting (Ocean Dual VIP / Ocean Dual VIP Ergo), page 18.</i>	<input type="checkbox"/>
4	Gas spring damage	Replace the gas spring, <i>5.10 Replacing the gas spring – release mechanism – Bowden cable for backrest tilting (Ocean Dual VIP / Ocean Dual VIP Ergo), page 18.</i>	<input type="checkbox"/>
5	Release mechanism damage	Replace the release mechanism, <i>5.10 Replacing the gas spring – release mechanism – Bowden cable for backrest tilting (Ocean Dual VIP / Ocean Dual VIP Ergo), page 18.</i>	<input type="checkbox"/>

**Cover plates (Ocean VIP Ergo / Ocean Dual VIP Ergo)**

	<b>Check for</b>	<b>Troubleshooting action</b>	<b>OK</b>
1	Damage to the brake cover plates, clamping protection covers and covering of the tilting mechanism	Replace the damaged clamping protection covers by new one, see user manual.  Replace the covering of the tilting mechanism, <i>5.7 Replacing the inner/outer side part covers (Ocean VIP Ergo / Ocean Dual VIP Ergo), page 15.</i>	<input type="checkbox"/>

**Electrical height adjustment/tilting (Ocean E-VIP)**

	<b>Check for</b>	<b>Troubleshooting action</b>	<b>OK</b>
1	Damage to all cables	Replace the damaged components by new ones.	<input type="checkbox"/>
2	Damage to hand control	Replace the hand control with a new one.	<input type="checkbox"/>
3	Damage to electronic cover	Replace the electronic cover with new one, see user manual.	<input type="checkbox"/>
4	Correct function of height adjustment / tilting adjustment and emergency release.	Refer to the user manual (Chapter Troubleshooting).	<input type="checkbox"/>

**Accessories**

	<b>Check for</b>	<b>Troubleshooting action</b>	<b>OK</b>
1	Damage to the accessories	Replace the defect component or the complete accessory	<input type="checkbox"/>

## 5 Instructions

### 5.1 General repair information

Repairs require a high level of expertise. These assembly instructions therefore break down the various tasks into 3 categories:

Requirement	Symbol
Easy – technical understanding required	■□□
Medium – technical knowledge required	■ ■ □
Difficult – technical knowledge and expertise in assembling required	■ ■ ■

The required tools and their sizes are listed in front of the instructions.

### 5.2 Replacing the armrest (=> 01/2021)

for older models until January 2021



Allen key (4 mm)

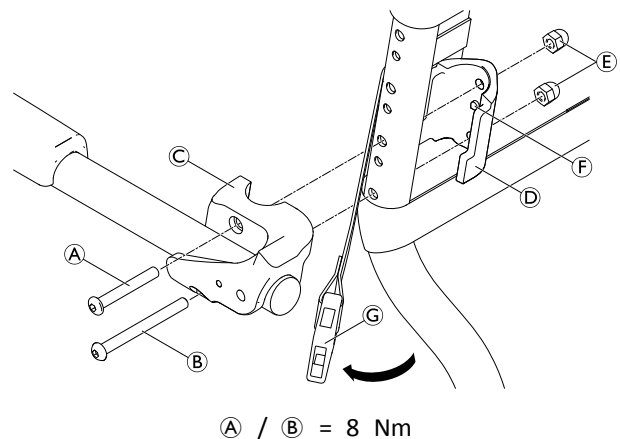


1. Unscrew the screws **A** and **B** of the armrest bracket **C** using the Allen key supplied.
2. Remove the securing clamp **D** with the nuts **E** from the inside of the backrest frame.
3. Remove the armrest bracket **C** with the armrest.



The smaller hole serves to fix the securing clamp.

4. Insert the screws into the new armrest bracket and guide them through the holes in the backrest frame.
5. If required, put the nuts back into the securing clamp.
6. Place the securing clamp on the backrest frame so that the fixing **F** on the securing clamp projects into the smaller hole.
7. Turn the screws in the nuts and tighten.
8. The replacement procedure is the same for the right and left armrest.



**A** / **B** = 8 Nm

#### 5.2.1 Replacing the armrest pad (=> 01/2021)

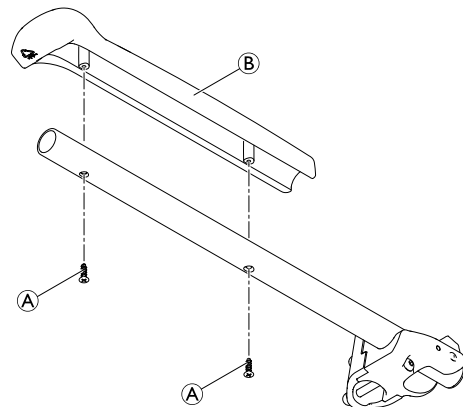
for older models until January 2021



Phillips screwdriver



1. Remove screws **A**.
2. Replace the armrest pad **B**.
3. Re-insert screws and tighten.



**A** = Hand-tight.

## 5.3 Replacing the armrest (02/ 2021 =>)

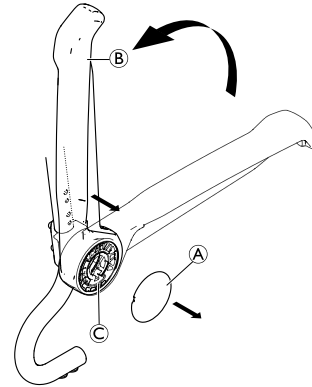
for new models from February 2021 onwards



Allen key (4 mm)



1. Pass this belt on the inside of the backrest frame and close it again.
2. Remove cap (A).
3. Fold up armrest (B) to pull it off the armrest bracket (C).



4. Remove screws (D) from armrest bracket (C) with supplied Allen key.
5. Remove securing clamp (E) with nuts (F) from the inside of the backrest frame.



The nuts are inserted loosely into the securing clamp and may drop out.

6. To reinstall armrest bracket and securing clamp at desired position, insert screws (D) into armrest bracket and guide them through the desired holes in the backrest frame.

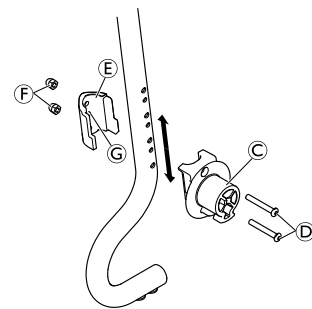


The smaller holes on the inside of the backrest frame fix the securing clamp.

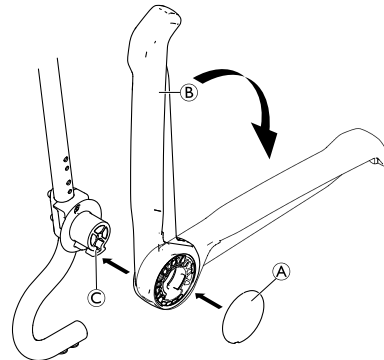
7. Place the securing clamp in such way that the fixing (G) of securing clamp engages in smaller hole.
8. Tighten screws (D).

9. Reinstall armrest (B) on bracket (C).
10. Fold down armrest.

11. Reinstall cap (A).
12. The replacement procedure is the same for the right and left armrest.



(D) = 8 Nm



## 5.4 Replacing the footrest holder (Ocean VIP / Ocean Dual VIP / Ocean E-VIP)



Allen key (4 mm)



1. Remove bolt ④ and distance piece ⑤.
2. Remove the footrest holder ① from the frame tube ③.



To install the footrest holder reverse steps 2 to 1.

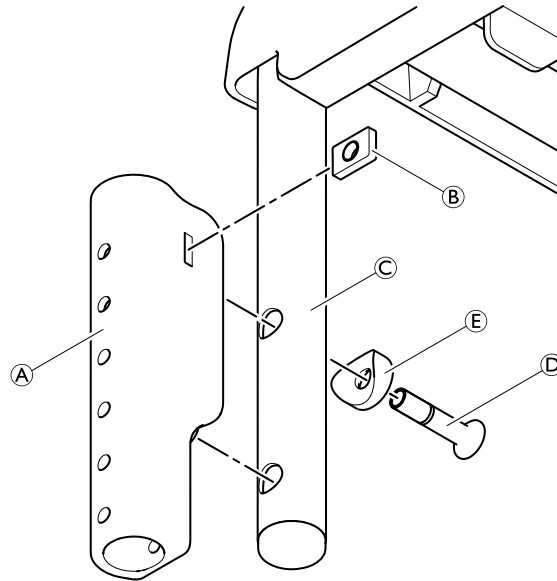


Make sure both guide nipples on the backside of the footrest holder mate with the holes of the frame tube when re-installing.



Make sure that the threaded plate ② is assembled into the slot of the footrest holder.

④ = 7 Nm



## 5.5 Replacing the foot plates



Allen key (4 mm)

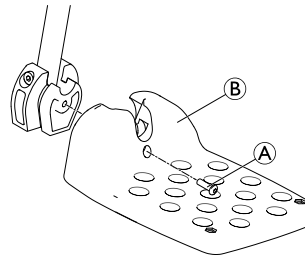


1. Remove the heel strap from the footrest tube.
2. Remove bolt ①.
3. Remove the foot plate ②.

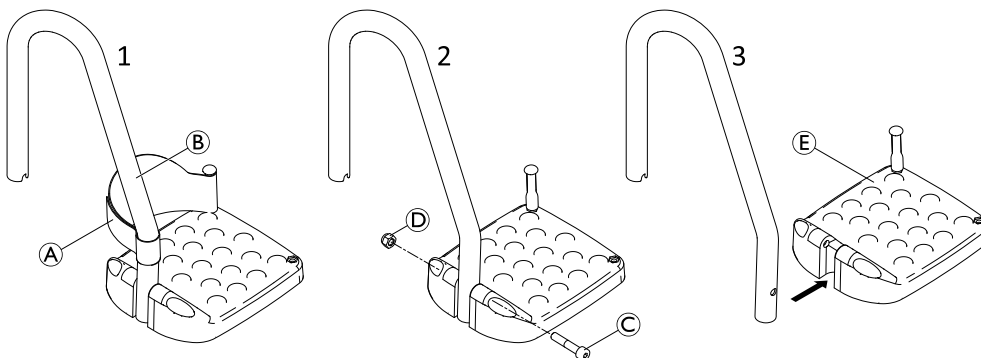


To install the foot plate reverse steps 3 to 1.

① = 2 – 3 Nm



### Ocean E-VIP:



1. Remove the heel strap ① from the footrest tube ②.
2. Remove bolt ③ and nut ④.
3. Remove the foot plate ⑤.



To install the foot plate reverse steps 3 to 1.

③ = 4 – 5 Nm

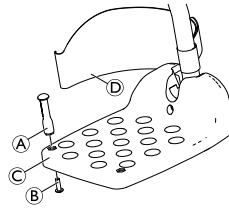
### 5.5.1 Replacing the flexible mounting pin



Phillips screwdriver



1. Remove the flexible mounting pin (A) by unscrewing the screw (B) on the underside of the foot plate (C).
2. Remove the heel strap (D).



To install the flexible mounting pin reverse steps 2 – 1.

(B) = 4 Nm

### 5.5.2 Removing/Installing the swivel joint

In case the legrest tubes must be cut to length, the swivel joints must be removed.



Allen key (6 mm)

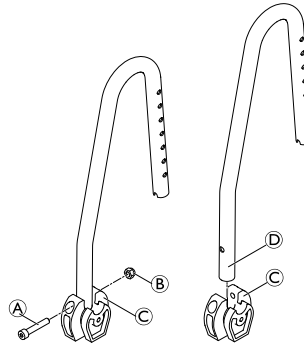


1. Remove bolt (A) and nut (B).
2. Remove the swivel joint (C) from the legrest tube (D).



To install the swivel joint reverse steps 2 – 1.

(A) = 4 – 5 Nm



### 5.6 Replacing the castors



Allen key (10 mm) / Thread locking adhesive (e.g. Loctite 2701)

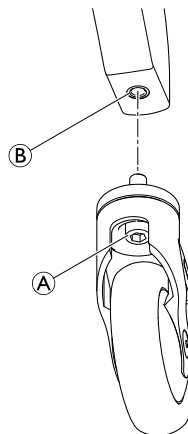


1. Remove the castor from the side part by unscrewing bolt (A) from the threaded hole (B).



To install the castor reverse step 1.

(A) = 35 Nm, apply thread locker e.g. Loctite 2701



### 5.6.1 Removing/installing the castor wheel

For cleaning reasons the castor wheel can be dismantled.

**Ocean Ergo / Ocean VIP Ergo / Ocean Dual VIP Ergo**



Torx screwdriver (T30)

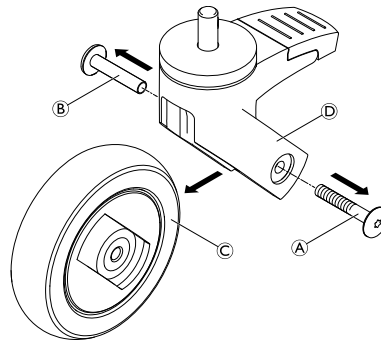


1. Unscrew the screw (A) from the threaded sleeve (B) and remove from the castor housing (D).
2. Remove the castor wheel (C).



To re-install the castor wheel reverse steps 2 – 1.

(A) = 4 – 6 Nm



**Ocean / Ocean VIP / Ocean Dual VIP / Ocean E-VIP**



Allen key (5 mm)

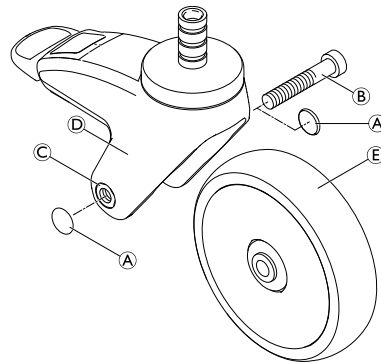


1. Remove the plastic caps (A).
2. Unscrew the bolt (B) from the nut (C) and remove from the castor housing (D).
3. Remove the castor wheel (E).



To re-install the castor wheel reverse steps 3 – 1.

(B) = 3 Nm



### 5.7 Replacing the inner/outer side part covers (Ocean VIP Ergo / Ocean Dual VIP Ergo)



Slotted screwdriver

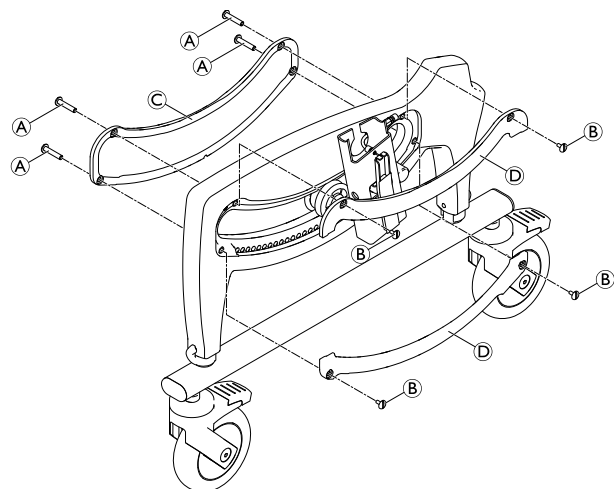


1. Remove the brake cover from the seat frame, see user manual.
2. Remove book screw nuts (A) and book screws (B).
3. Remove the outer side part cover (C).
4. Remove the inner side part covers (D).



To install the inner/outer side part covers reverse steps 4 – 1.

(B) = Hand-tight



## 5.8 Replacing the seat bearing fixation (Ocean VIP Ergo / Ocean Dual VIP Ergo)



Slotted screwdriver / Allen key (4 mm)



1. Remove the brake cover from the seat frame, see user manual.
2. Remove book screw nuts (A) and book screws.
3. Remove the outer side part cover (B).
4. Remove the inner side part covers.
5. Remove bolts (C), washers (D) and flanged wheels (E).
6. Insert new flanged wheels, washers and bolts and tighten.

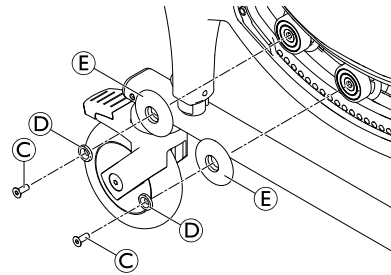
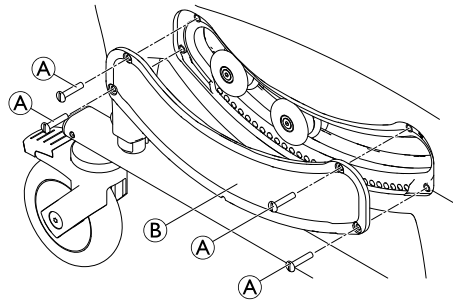


Check the outer side part cover (B) for damage and replace if necessary.

7. Re-mount the outer side part cover using book screw nut (A).
8. Repeat the same steps on the other side.

(A) = Hand-tight

(C) = 6 Nm





## 5.9 Replacing the side parts (Ocean VIP Ergo / Ocean Dual VIP Ergo)



Slotted screwdriver / Allen key (4 mm)



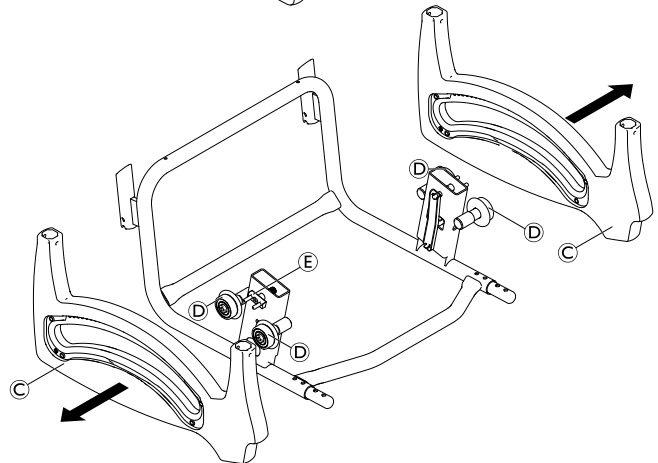
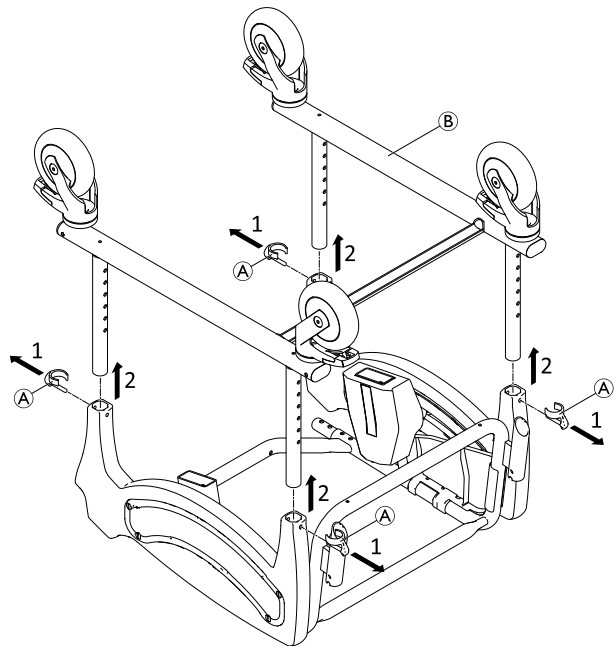
**i** For easier handling remove the backrest from the seat frame, see user manual.

1. Remove the seat plate, see user manual.
2. Place the seat frame with side parts upside down on a stable surface.
3. Remove clips **A** and pull the complete lower frame **B** out of the side parts.
4. Remove the brake covers from the seat frame, see user manual.
5. Remove the inner and outer side part covers and the seat bearing fixations on both sides, see chapters 5.7 *Replacing the inner/outer side part covers (Ocean VIP Ergo / Ocean Dual VIP Ergo)*, page 15 and 5.8 *Replacing the seat bearing fixation (Ocean VIP Ergo / Ocean Dual VIP Ergo)*, page 16.
6. Remove the side parts **C** by pulling them from the bearings **D**.

**i** To install the side parts reverse steps 6 – 1.

### IMPORTANT!

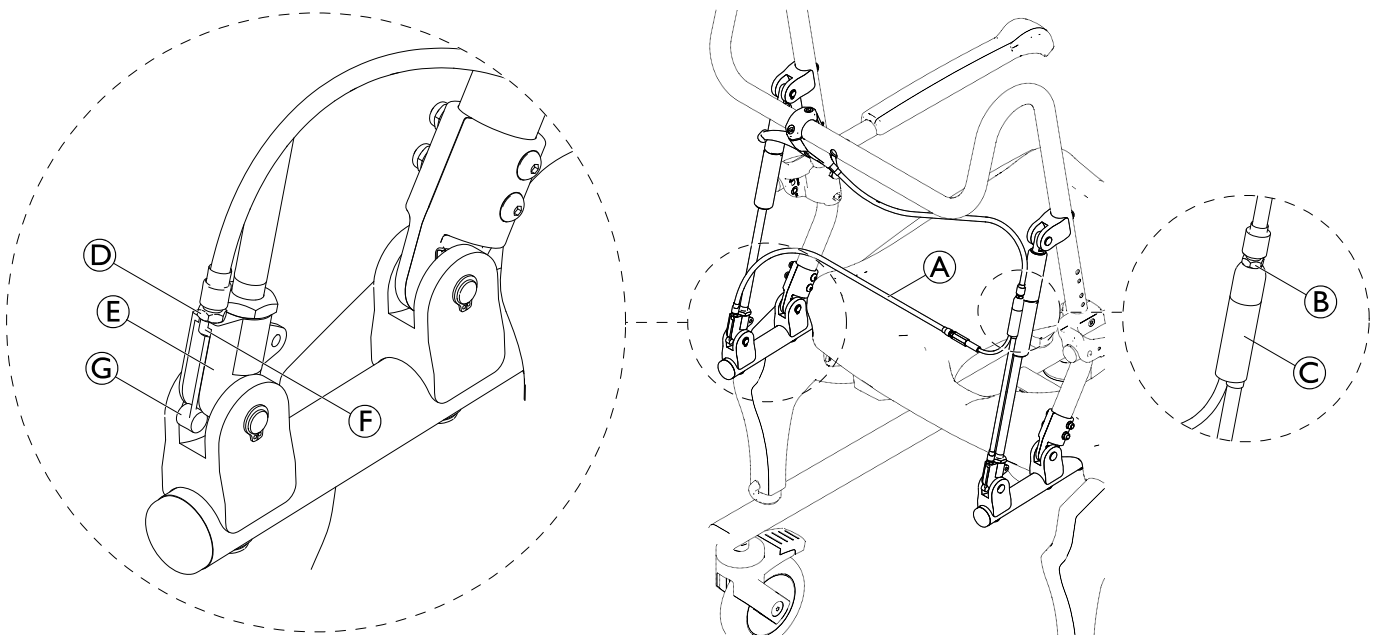
- Make sure that the brake pins **E** are inserted in the same positions on the left and right side.




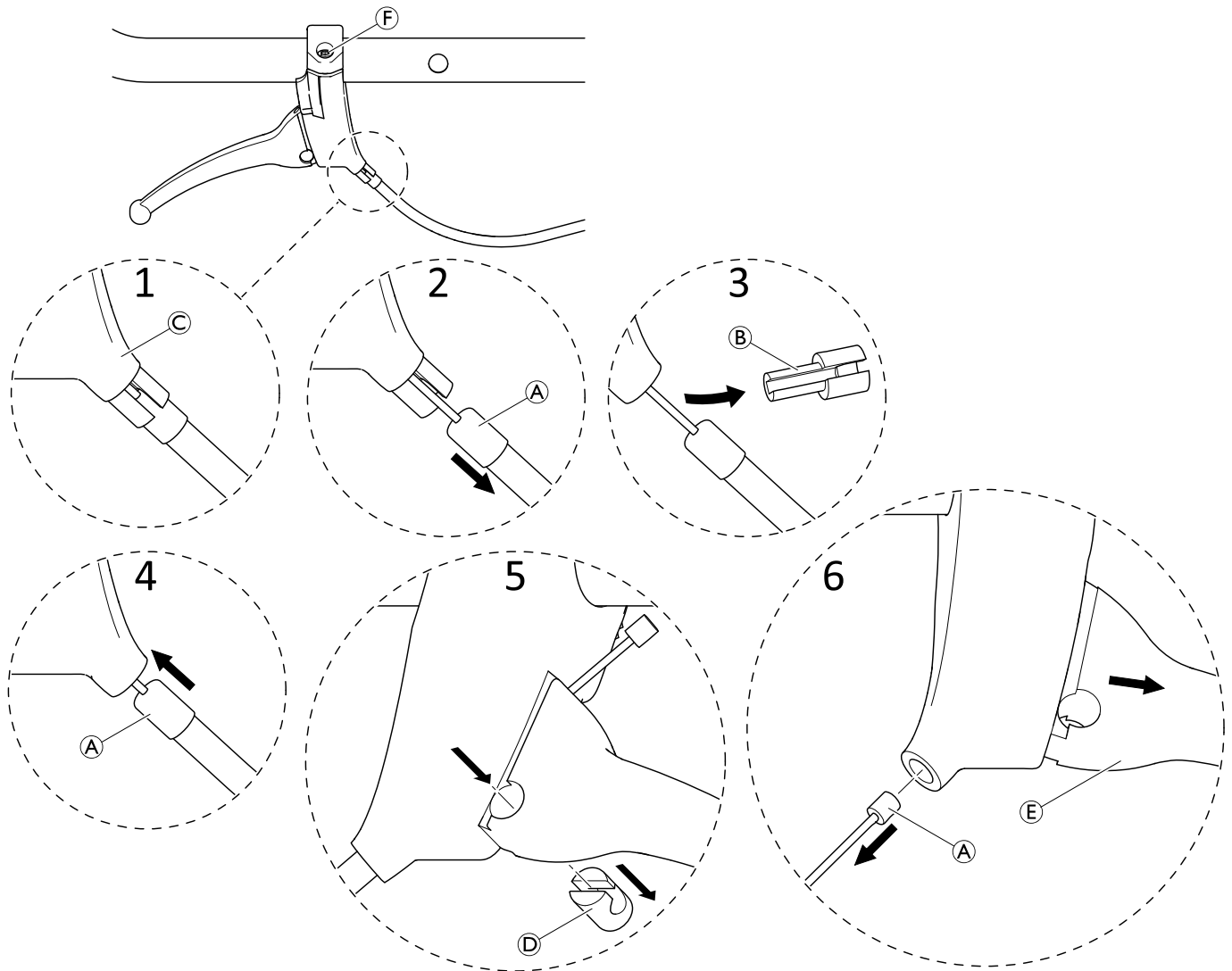
## 5.10 Replacing the gas spring — release mechanism — Bowden cable for backrest tilting (Ocean Dual VIP / Ocean Dual VIP Ergo)




Wrench (6, 8) / Allen key (4 mm) / Snap ring pliers



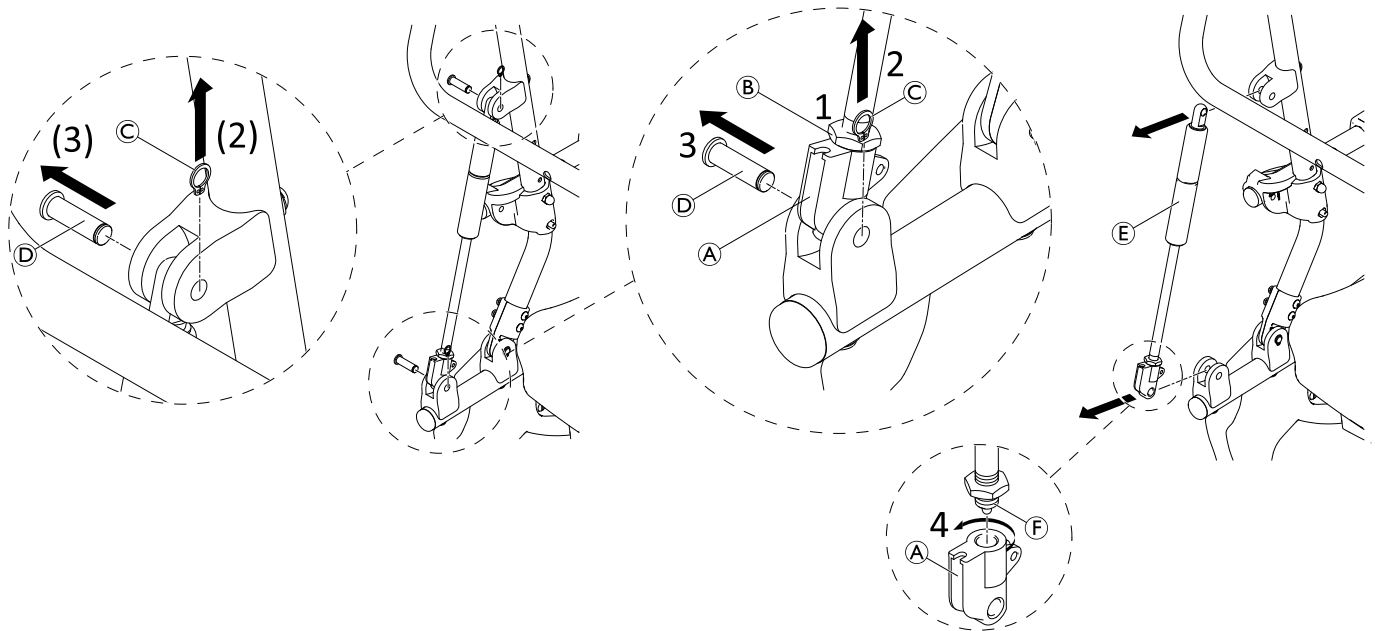
1. Loosen the nut **B** on the distributor **C** completely and turn it all the way up. Turn the upper piece into the distributor.
2. Loosen the nut **D** on the release mechanism **E** and turn it all the way up. Unscrew threaded piece **F** from the release mechanism.
  -  Pull the Bowden cable **A** slightly upwards to make it easier.
3. Unhook the Bowden wire head **G**.




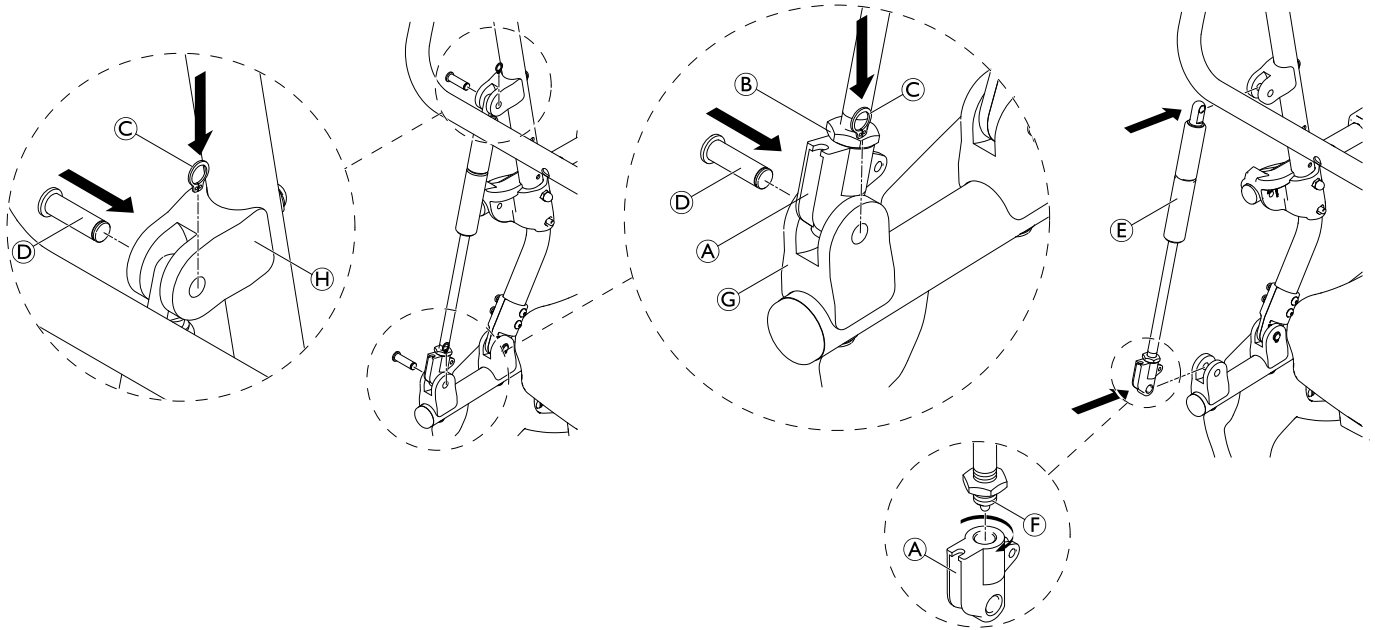
1. If the activation handle incl. Bowden cable has to be replaced: Unscrew the old activation handle from the push bar and screw on the new one.
2. If the Bowden cable (A) or the activation handle (C) has to be replaced: Pull the Bowden cable slightly out of the activation handle.
3. Remove sleeve (B).
4. Push the Bowden cable inwards and open the brake lock (brake lock not shown).
5. Push out the sleeve (D).
6. Completely pull out the Bowden cable and remove the brake lever (E).
7. If the activation handle has to be replaced: unscrew the screws (F) and remove the activation handle. Assemble the new activation handle. Remove the brake lever (E).
8. For re-assembly insert the Bowden cable into the activation handle and the brake lever.


 If a new Bowden cable has to be installed, make sure that the cable is free from tension, see page 17 steps 1 and 2.

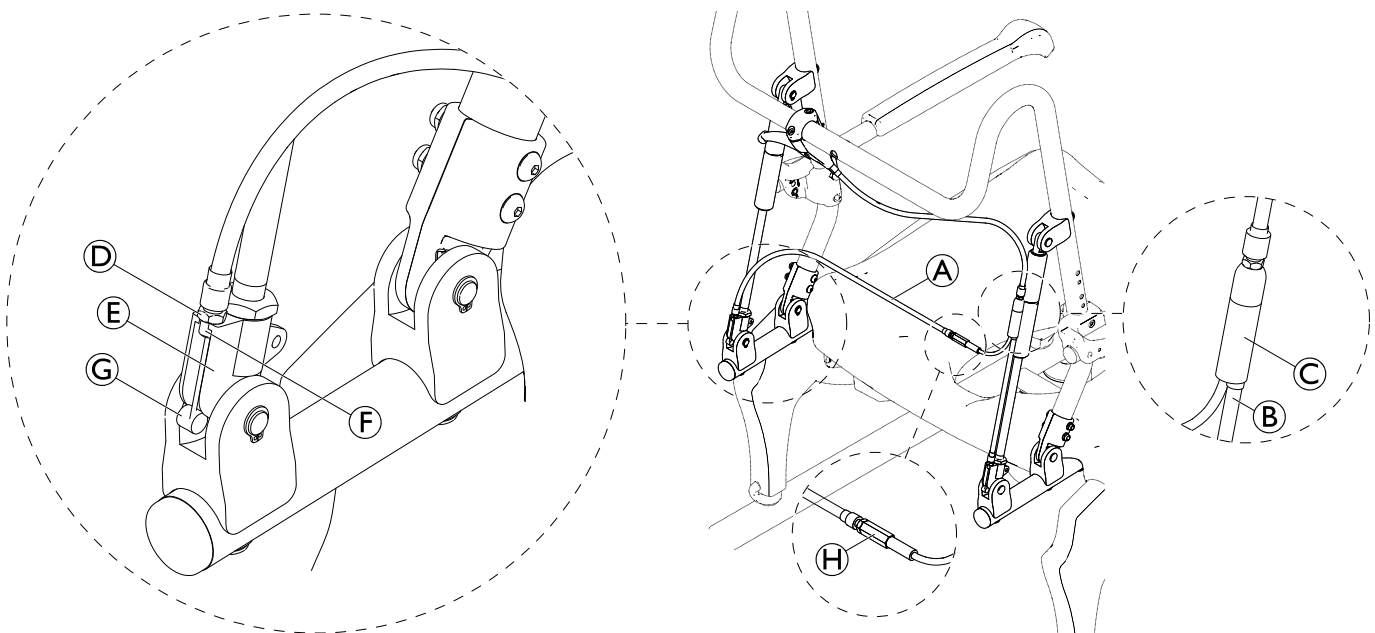
9. Reassemble the sleeve (D). Pay attention to the correct orientation.
10. Reinstall the brake lever (E).
11. Reassemble the sleeve (B) by pulling slightly on the cable.




1. If the release mechanism (A) has to be replaced: Loosen nut (B).
2. Remove circlip (C).
3. Remove bolt (D) (If the entire gas spring is to be replaced, also remove the upper circlip and bolt and remove the gas spring (E).)
  -  If necessary, push the backrest slightly forwards to make it easier to remove the bolt.
4. If the release mechanism has to be replaced: Turn down the release mechanism (A) from the threaded piece (F).



1. If the release mechanism **A** has to be replaced: Screw on new release mechanism again (release 2 threads or 1.5 - 2 mm distance between the release mechanism and thread start of piston rod **F**).
2. Refit bolts **D** and circlips **C** to lower fixations **G** and if necessary upper fixations **H** if the whole gas spring was replaced.
  -  If necessary, push the backrest slightly forwards to make it easier to insert the bolt.
3. Tighten the nut **B** on the release mechanism.



1. Prepare the Bowden cable **A**: Make sure that the cable end **B** is correctly positioned in the distributor **C**.
2. Hang the Bowden wire head **G** in the release mechanism **E**.
  -  The longer end is mounted on the left release mechanism, the shorter one on the right.
3. Position the thread **F** of nut **D** on the release mechanism and screw it in (make sure that enough threads are engaged). For this, pull up the cable slightly.

**IMPORTANT!**

- Make sure that the plastic part in the release mechanism remains down when screwing.

**IMPORTANT!**

- Make sure that the settings are the same on the left and the right side. The play which is present when the cable is pulled up must be the same on both sides. This can be adjusted via the thread/nut at the end of the cable at the release mechanism and through the thread/nut on the adjusting element ④ on the longer cable by unscrewing or screwing.

4. After completing the adjustment, lock the nuts on the release mechanism and on the adjusting element.
5. Adjust the Bowden cable via the distributor ③ and lock the nut so that the play on the handle and on the release mechanisms is reduced (if you pull on the cable). Due to the setting on the distributor, the plastic part on the release mechanism must not be pulled upwards.
6. Check function: Both gas springs must trigger simultaneously.

## 5.11 Replacing the gas spring — release mechanism — Bowden cable for seat tilting (Ocean VIP / Ocean Dual VIP)



Wrench (6, 8) / Allen key (4 mm) / Snap ring pliers

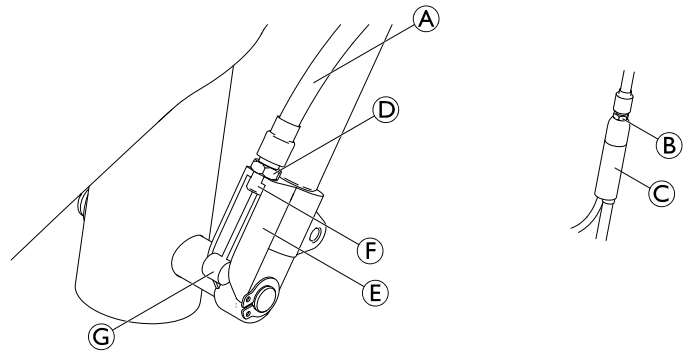


1. Loosen the nut **B** on the distributor **C** completely and turn it all the way up. Turn the upper piece into the distributor.
2. Loosen the nut **D** on the release mechanism **E** and turn it all the way up. Unscrew threaded piece **F** from the release mechanism.

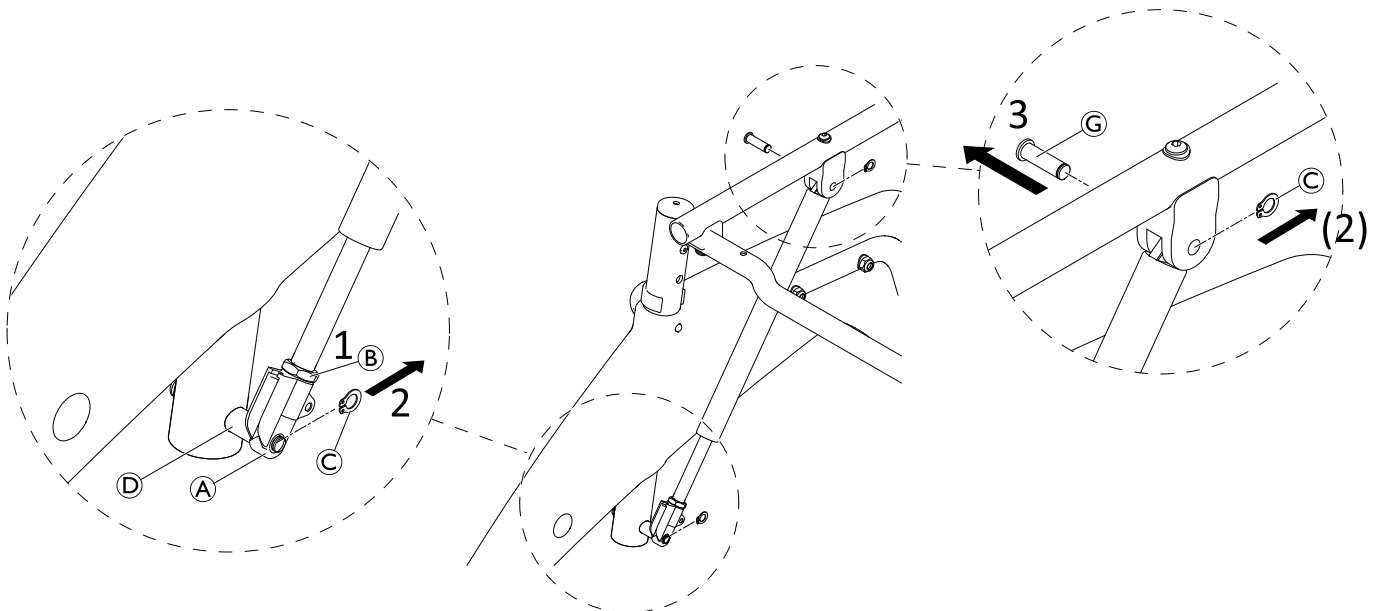


Pull slightly the Bowden cable **A** upwards to make it easier.

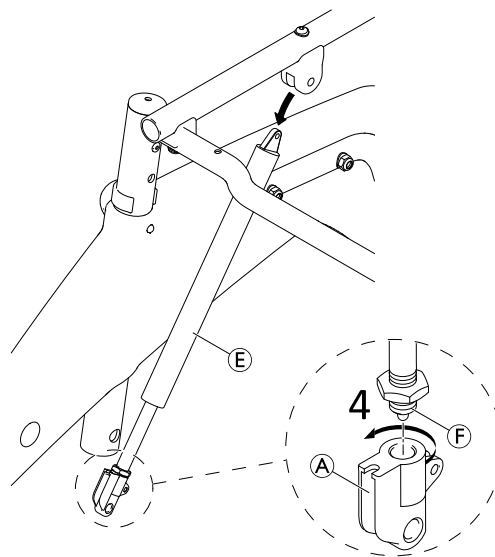
3. Unhook the Bowden wire head **G**.

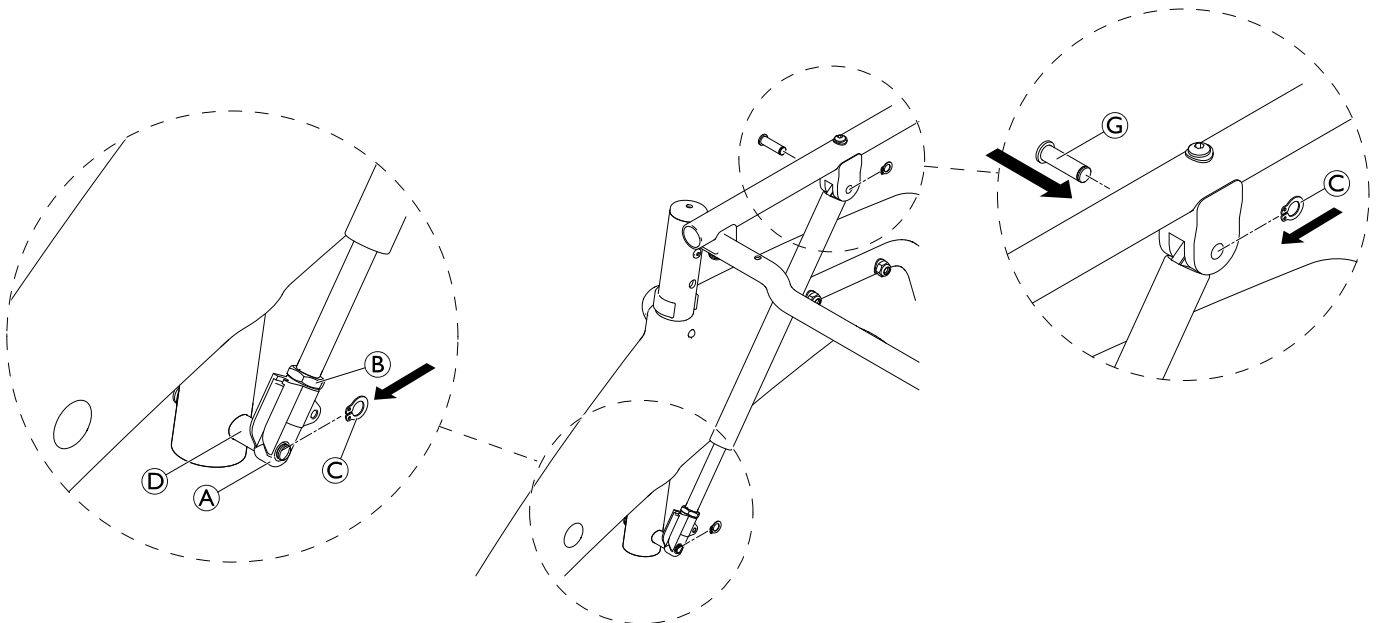


If the activation handle / Bowden cable has to be replaced refer to chapter 5.10 *Replacing the gas spring — release mechanism — Bowden cable for backrest tilting (Ocean Dual VIP / Ocean Dual VIP Ergo)*, page 18.




1. If the release mechanism **A** has to be replaced: Loosen nut **B**.
2. Remove circlip **C**.
3. Remove the gas spring **E** from the bolt **D**.
4. If the entire gas spring is to be replaced, also remove the upper circlip and bolt **G** and remove the gas spring **E**.
5. If the release mechanism has to be replaced: Turn down the release mechanism **A** from the threaded piece **F**.




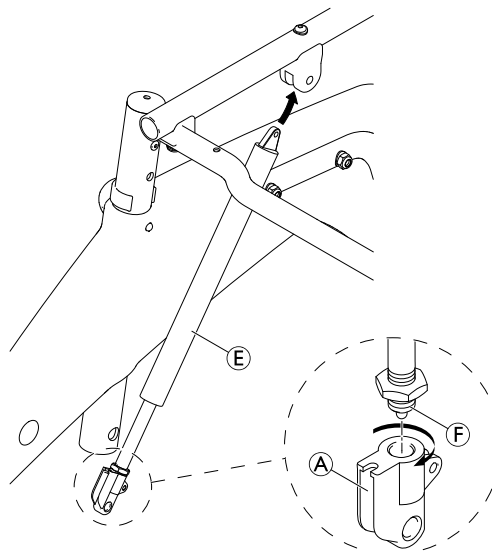


1. If the release mechanism (A) has to be replaced: Screw on new release mechanism again (release 2 threads or 1.5 - 2 mm distance between the release mechanism and thread start of piston rod (F)).
2. Refit the gas spring (E) on bolt (D) and secure with circlips (C) and if necessary refit bolt (G) and circlips (C) on upper fixation if the whole gas spring was replaced.

 If necessary, push the backrest slightly forwards to make it easier to insert the bolt.

3. Tighten the nut (B) on the release mechanism.
4. Prepare the Bowden cable (A): Make sure that the cable end (B) is correctly positioned in the distributor (C).
5. Hang the Bowden wire head (G) in the release mechanism (E).

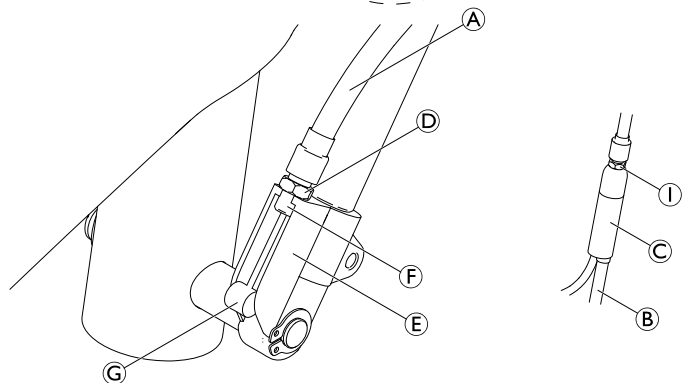
 The longer end is mounted on the right release mechanism, the shorter one on the left.



6. Position the thread (F) of nut (D) on the release mechanism and screw it in (make sure that enough threads are engaged). For this, pull up the cable slightly.

**IMPORTANT!**

- Make sure that the plastic part in the release mechanism remains down when screwing.
- Make sure that the settings are the same on the left and the right side. The play which is present when the cable is pulled up must be the same on both sides. This can be adjusted via the thread/nut at the end of the cable at the release mechanism.



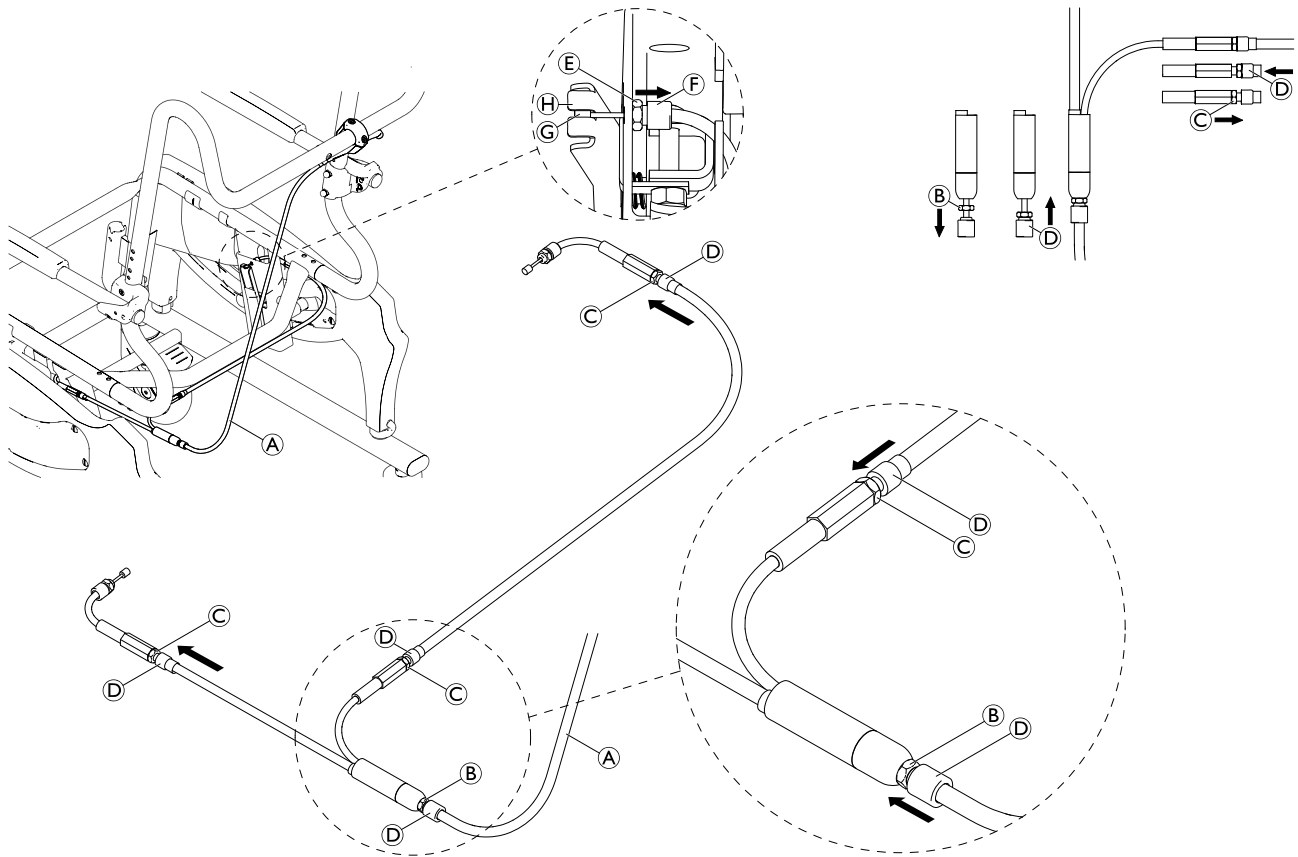
7. After completing the adjustment, lock the nuts (D) on the release mechanism (E).
8. Adjust the Bowden cable via the distributor (C) and lock the nut (I) so that the play on the handle and on the release mechanisms is reduced (if you pull on the cable). Due to the setting on the distributor, the plastic part on the release mechanism must not be pulled upwards.
9. Check function: Both gas springs must trigger simultaneously.



## 5.12 Replacing the Bowden cable for seat tilting (Ocean VIP Ergo / Ocean Dual VIP Ergo)



Allen key (4)



1. Remove the seat plate for easier access, therefore refer to user manual.
2. Remove the brake cover, therefore refer to user manual.
3. Remove cable ties.
4. Make Bowden wire **A** free from tension. Therefore, unscrew all nuts **C** on the stroke cable adjusters and the nut **B** on the distributor completely. Screw threaded sleeves **D** completely into all stroke cable adjuster and the distributor.
5. Unscrew the nuts **E** on the cable ends.
6. Unscrew the threaded sleeve **F** at the cable ends and hang the cable ends **G** out of the brake levers **H**.



If the Bowden cable has to be replaced without the activation handle, the Bowden cable has to be disassembled from the activation handle, see chapter 5.10 *Replacing the gas spring — release mechanism — Bowden cable for backrest tilting (Ocean Dual VIP / Ocean Dual VIP Ergo)*, page 18.

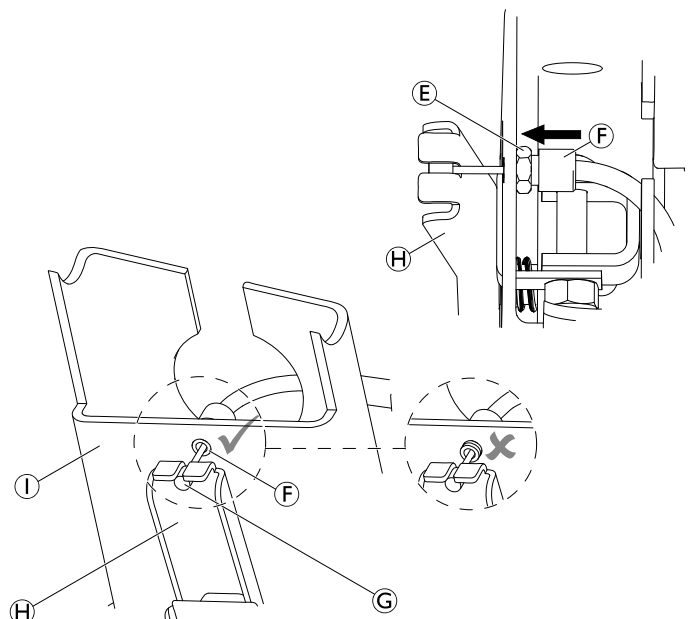
If the Bowden cable has to be replaced including the activation handle, the activation handle has to be replaced, see user manual.

7. Install the new Bowden cable (shorter end on the left side) and hook the cable ends **G** into the brake levers **H**. Screw in the threaded sleeve **F** until it sits flush with the brake housing **I**.



The threaded sleeve must not overlap.

8. Lock the nut **E**.



## Adjusting the system

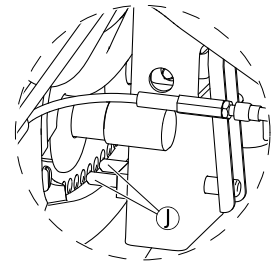


Allen key (4)

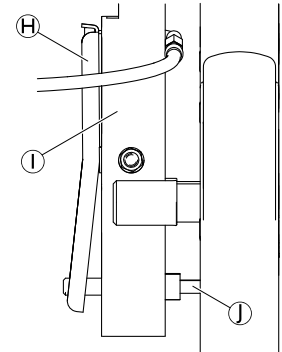
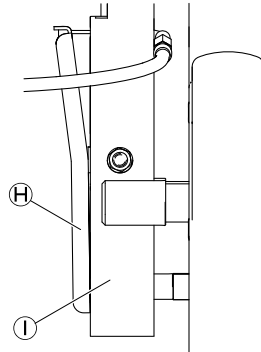


### IMPORTANT!

- The brake pins ① must be completely pulled out of the holes of the side part when the brake handle is activated and the brake pins must be engaged when the brake handle is released.
- When the brake handle is activated the brake pins need to be pulled out simultaneously on both sides and a visible gap between side part and brake pins is mandatory.
- The brake levers ⑨ must be flush with the brake housing ① when the brake handle is released / activated.



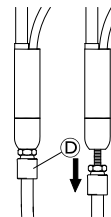
Remove the side part covers for better view and easier access.



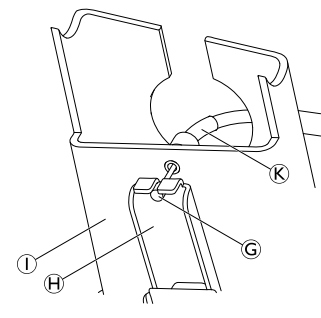
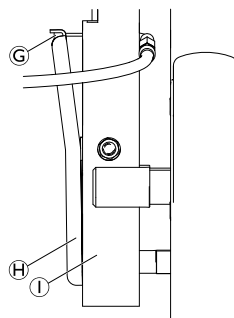
1. On the distributor unscrew the threaded sleeve ④ as far as possible. This will reduce the gap between the end of the cable ③ and the brake lever ⑨. Thereby the actuating distance of the brake handle will also be reduced.



During adjustment ensure that the black plastic sleeves ⑫ are in correct position.



2. Make sure that the lower part of the brake lever ⑨ lies flush with the brake housing ①.
3. Pull at the cable end ③ to check the play. The adjustment is good, when it is not possible to pull out the cable end.
4. If there is a different gap on the right and left side this needs to be adjusted. Therefore, unscrew the threaded sleeve on the stroke cable adjuster on the affected side.
5. When all adjustments are good, lock nuts ② and ③ (see first graphic in this chapter).
6. Check the tilting function. In all positions it is mandatory that the brake pins lock correctly.
7. Assemble the cable ties.
8. Assemble all covers.



## 5.13 Cutting the headrest / footrest / amputation support to length

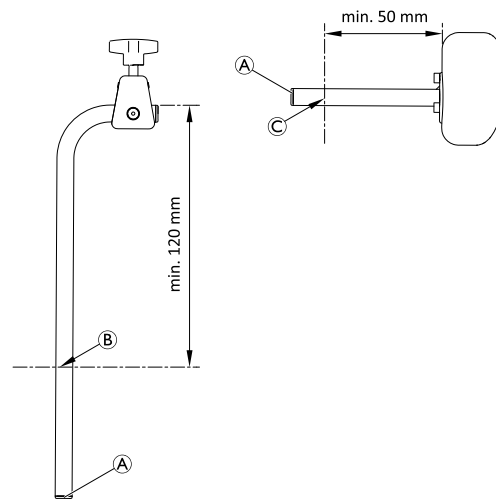


Allen key (M6 / SW4), Saw, Ruler, Drill with drill bit  $\varnothing$  8.1)



### Headrest

1. Remove the plug(s) **A**.
2. Cut the height adjustment tube **B** to length (min. remaining length 120 mm).
3. Cut the depth adjustment tube **C** to length (min. remaining length 50 mm).
4. Deburr all sharp edges.
5. Re-insert the plug(s).



### Footrest

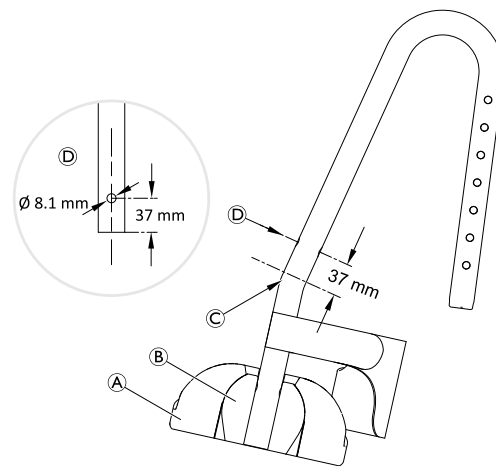
1. Remove the foot plate **A** and the swivel joint **B**.
2. Cut the tube to length just above the bend **C**.
3. Drill a  $\varnothing$  8,1 mm hole **D**, 37 mm from the lower edge of the tube.
4. Deburr all sharp edges.
5. Re-mount the swivel joint and the foot plate.



For removing/installing the foot plates, refer to chapter 5.5 Replacing the foot plates, page 13.

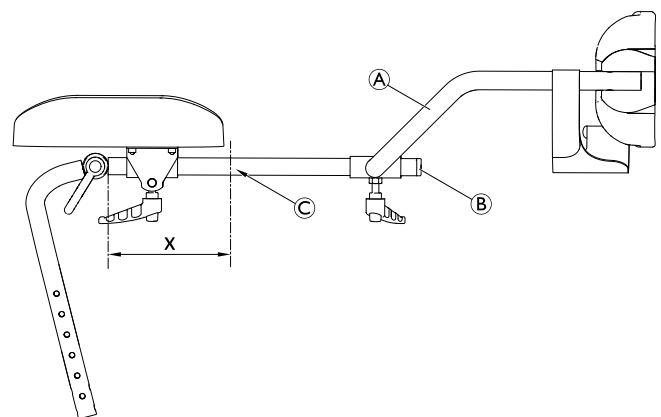


For removing/installing the swivel joint, refer to chapter 5.5.2 Removing/Installing the swivel joint, page 14.



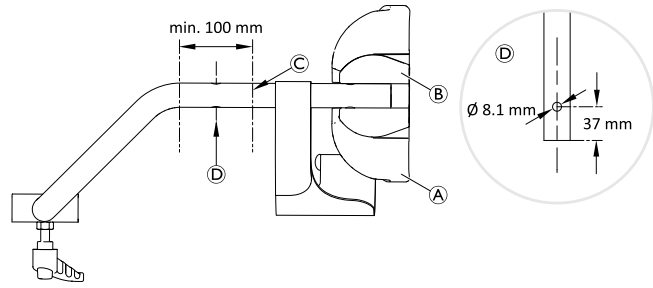
### Amputation support


1. Remove the footrest assembly **A**.
2. Remove the plug **B**.
3. Cut the tube **C** to length (min. remaining length x mm).  
If footrest is used  $x = 140$  mm  
If footrest is not used  $x = 80$  mm
4. Deburr all sharp edges.
5. Re-insert the plug.
6. Re-mount the footrest assembly (if needed).




### Amputation support (footrest)

1. Remove the foot plate **A** and the swivel joint **B**.
2. Cut the tube **C** to length (min. remaining length 100 mm).
3. Drill a  $\varnothing$  8.1 mm hole **D**, 37 mm from the lower edge of the tube.
4. Deburr all sharp edges.
5. Re-mount the swivel joint and the foot plate.




 For removing/installing the foot plates, refer to chapter 5.5 *Replacing the foot plates*, page 13.


 For removing/installing the swivel joint, refer to chapter 5.5.2 *Removing/Installing the swivel joint*, page 14.

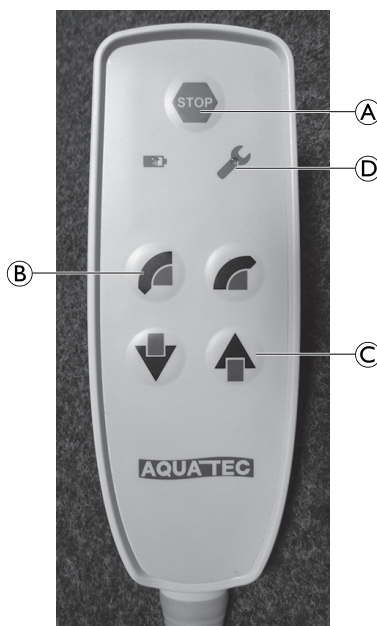


## Implementing a reset

1. Hold down the following three buttons simultaneously for about three seconds on the hand control: Red STOP button (A), Forward button (B) and Up button (C). An acoustic signal will be heard while the three buttons are held down.
2. When „SERVICE“ indicator lamp (D) goes out, release the buttons. The device is ready to use again.
3. Then move the drives for adjusting the height to the lowest position until you hear the drives switch off.
4. Move the tilt drive to the rear end position until you hear the drive switch off. (The red LED flashes and an acoustic signal is heard).

 Replace the safety clips with new ones if the actuators are replaced.

 Make sure that all cables are re-installed the same way as supplied if components have to be changed.



---

# Inhaltsverzeichnis

---

FACHHÄNDLER: Bewahren Sie dieses Handbuch auf. Die in diesem Handbuch beschriebenen Maßnahmen MÜSSEN von einer qualifizierten Fachperson ausgeführt werden.

<b>1 Allgemein</b>	<b>32</b>
1.1 Einleitung	32
1.2 Symbole in diesem Handbuch	32
<b>2 Sicherheit</b>	<b>33</b>
2.1 Allgemeine Sicherheitsinformationen	33
2.2 Persönliche Sicherheitsinformationen	33
2.3 Elektrische Sicherheitsprüfung	33
<b>3 Wartung</b>	<b>34</b>
3.1 Prüfliste für die Inspektion	34
3.2 Ersatzteile	34
3.3 Farbcodierungen für Rahmen	34
<b>4 Wiederaufbereitung</b>	<b>35</b>
4.1 Reinigung und Desinfektion	35
4.2 Materialübersicht	35
4.3 Wiederaufbereitungsschema	35
<b>5 Anweisungen</b>	<b>40</b>
5.1 Allgemeine Reparaturinformationen	40
5.2 Austauschen der Armlehne (=> 01/2021)	41
5.2.1 Austauschen des Armlehnenpolsters (=> 01/2021)	41
5.3 Austauschen der Armlehne (02/2021 =>)	42
5.4 Austauschen der Fußstützenhalterung (Ocean VIP/Ocean Dual VIP/Ocean E-VIP)	43
5.5 Austauschen der Fußplatten	43
5.5.1 Austauschen des flexiblen Befestigungsstifts	44
5.5.2 Abnehmen und Anbringen des Drehgelenks	44
5.6 Austauschen der Schwenkräder	44
5.6.1 Abnehmen/Anbringen des Schwenkrads	45
5.7 Austauschen der inneren und äußeren Abdeckungen des Seitenteils (Ocean VIP Ergo/Ocean Dual VIP Ergo)	45
5.8 Austauschen der Sitzlagerfixierung (Ocean VIP Ergo/Ocean Dual VIP Ergo)	46
5.9 Austauschen der Seitenteile (Ocean VIP Ergo/Ocean Dual VIP Ergo)	47
5.10 Austauschen von Gasdruckfeder, Auslösemechanismus und Bowdenzug zur Rückenwinkelverstellung (Ocean Dual VIP/Ocean Dual VIP Ergo)	48
5.11 Austauschen von Gasdruckfeder, Auslösemechanismus und Bowdenzug zur Sitzwinkelverstellung (Ocean VIP/Ocean Dual VIP)	53
5.12 Austauschen des Bowdenzugs zur Sitzwinkelverstellung (Ocean VIP Ergo/Ocean Dual VIP Ergo)	56
5.13 Kürzen von Kopfstütze, Fußstütze und Amputationsstütze nach Bedarf	58
5.14 Anschlussplan (Ocean E-VIP)	60

# 1 Allgemein

## 1.1 Einleitung

Dieses Dokument enthält wichtige Informationen zur Montage, Einstellung und umfassenden Instandhaltung des Produkts. Lesen Sie das Dokument und die Gebrauchsanweisung sorgfältig und befolgen Sie die Sicherheitsanweisungen, damit ein sicherer Umgang mit dem Produkt gewährleistet ist.

Sie finden die Gebrauchsanweisung auf der Website von Invacare oder erhalten sie bei Ihrem Invacare-Vertreter. Die entsprechenden Internetadressen finden Sie am Ende dieses Dokuments.

Invacare behält sich das Recht vor, Produktspezifikationen ohne vorherige Ankündigung abzuändern.

Vergewissern Sie sich vor dem Lesen dieses Dokuments, dass Sie die aktuelle Fassung haben. Die jeweils aktuelle Fassung können Sie als PDF-Datei von der Invacare-Webseite herunterladen.

Die Gebrauchsanweisung enthält Informationen für Käufer und Hinweise für Benutzer.

Weitere Informationen zum Produkt, z. B. Informationen zu Produktsicherheitshinweisen oder zu einem Produktrückruf, erhalten Sie von Ihrem Invacare-Vertreter. Die entsprechenden Internetadressen finden Sie am Ende dieses Dokuments.

## 1.2 Symbole in diesem Handbuch

In diesem Handbuch werden Symbole und Signalwörter verwendet, um auf Gefahren oder unsichere Praktiken hinzuweisen, die zu Verletzungen oder Sachschaden führen können. Die Definitionen der verwendeten Signalwörter finden Sie unten.



### WARNUNG

Weist auf eine gefährliche Situation hin, die bei Nichtbeachtung zu schweren Verletzungen oder zum Tod führen kann.



### ACHTUNG

Weist auf eine gefährliche Situation hin, die bei Nichtbeachtung zu leichten Verletzungen führen kann.



### WICHTIG

Weist auf eine gefährliche Situation hin, die bei Nichtbeachtung der Hinweise zu Sachschäden führen kann.



### Tipps

Nützliche Tipps, Empfehlungen und Informationen für eine effiziente und reibungslose Verwendung.



### Werkzeuge

Bezeichnet notwendige Werkzeuge, Komponenten und Teile, die für die Durchführung bestimmter Tätigkeiten benötigt werden.



## 2 Sicherheit

### 2.1 Allgemeine Sicherheitsinformationen



**WARNUNG!**

**Gefahr von Verletzungen oder Sachschäden**

- Die in diesem Handbuch beschriebenen Verfahren dürfen nur von einem qualifizierten Techniker durchgeführt werden.
- Verwenden Sie ausschließlich Originalzubehör und -ersatzteile.
- Verwenden Sie dieses Produkt oder vorhandenes optionales Zubehör erst, nachdem Sie diese Anweisungen und mögliches zusätzliches Anweisungsmaterial, wie zu dem Produkt oder dem optionalen Zubehör gehörende Gebrauchsanweisungen, Installationshandbücher oder Merkblätter, vollständig gelesen und verstanden haben.
- Stellen Sie nach jedem Montageschritt sicher, dass alle Befestigungspunkte ordnungsgemäß festgezogen sind und alle Teile einwandfrei funktionieren.



**WARNUNG!**

**Kontaminationsgefahr**

- Reinigen und desinfizieren Sie das Produkt vor der Wartung.



**WICHTIG!**

Die Montage von Zubehörteilen ist in diesem Servicehandbuch nicht notwendigerweise beschrieben. Beachten Sie hierzu das mit dem Zubehörteil mitgelieferte Handbuch.

- Zusätzliche Gebrauchsanweisungen sind auf Nachfrage verfügbar. Die entsprechenden Adressen finden Sie am Ende dieses Dokuments.



**WICHTIG!**

Bestimmte Ersatzteile sind nur als Satz erhältlich. Verwenden Sie stets den kompletten neuen Satz, wenn Sie ein Teil ersetzen.

- Ersatzteile können bei Invacare bestellt werden. Auf der landesspezifischen Website von Invacare steht Ihnen hierfür unser elektronischer Ersatzteilkatalog zur Verfügung.



**WICHTIG!**

Weitere Informationen zu folgenden Themen entnehmen Sie bitte der Gebrauchsanweisung:

- Technische Daten
- Produktkomponenten
- Aufkleber
- Zusätzliche Sicherheitsanweisungen
- Reinigungs- und Desinfektionsanweisungen



Die in diesem Handbuch enthaltenen Informationen können jederzeit ohne vorherige Ankündigung geändert werden.

### 2.2 Persönliche Sicherheitsinformationen

Diese Sicherheitsanweisungen sollen dazu beitragen, Unfälle während der Arbeit zu vermeiden, und müssen unter allen Umständen beachtet werden.

Alle Mitarbeiter, die mit kontaminierten Produkten in Kontakt kommen, müssen sich regelmäßig von einem Betriebsarzt untersuchen lassen. Arbeitskleidung und persönliche Schutzausrüstung müssen in den erforderlichen Mengen verfügbar und in einwandfreiem Zustand sein. Zuverlässige Hände- und Oberflächendesinfektion muss gewährleistet werden.



**WARNUNG!**

**Kontaminationsgefahr**

- Reinigen und desinfizieren Sie das Produkt vor dem Ausführen von Reparaturen.

### 2.3 Elektrische Sicherheitsprüfung



**WICHTIG!**

Regelmäßige elektrische Prüfungen gemäß EN 62353 (VDE0751) müssen in Übereinstimmung mit den nationalen Bestimmungen durchgeführt werden.

1. Untersuchen Sie alle elektronischen Komponenten auf Schäden am Gehäuse oder Kabel, testen Sie die Funktionen und prüfen Sie auf Streustrom.

## 3 Wartung

### 3.1 Prüfliste für die Inspektion

<b>Allgemeine Inspektion</b>	☺	☹
Ist das Produkt in gutem Zustand und ist es vollständig (Produkt und Zubehör)?	<input type="checkbox"/>	<input type="checkbox"/>
Ist das Produkt frei von Schäden oder jeglichen Mängeln?	<input type="checkbox"/>	<input type="checkbox"/>
Funktioniert das Produkt unter Nennlast ordnungsgemäß?	<input type="checkbox"/>	<input type="checkbox"/>
Ist das Produkt entsprechend der Gebrauchsanweisung voll funktionsfähig?	<input type="checkbox"/>	<input type="checkbox"/>
<b>Beseitigung von Mängeln</b>	☺	☹
Wurden alle gefundenen Mängel beseitigt und alle mangelhaften Komponenten ausgetauscht?	<input type="checkbox"/>	<input type="checkbox"/>
Sind alle Schrauben/Bolzen fest fixiert und ist das Produkt sicher zusammengebaut?	<input type="checkbox"/>	<input type="checkbox"/>
<b>Abschließen der Inspektion</b>	☺	☹
Ist das Produkt in Bezug auf Technik und Funktion sicher?	<input type="checkbox"/>	<input type="checkbox"/>
Wurde das Produkt gereinigt und desinfiziert?	<input type="checkbox"/>	<input type="checkbox"/>
Ist das Typenschild leicht lesbar und sicher am Produkt angebracht?	<input type="checkbox"/>	<input type="checkbox"/>
Ist dem Produkt die aktuelle Version der Gebrauchsanweisung beigelegt?	<input type="checkbox"/>	<input type="checkbox"/>

### 3.2 Ersatzteile



#### WARNUNG!

Für Reparaturen ausschließlich Original-Ersatzteile verwenden. Sonst erlischt Garantie und Produktkonformität.

Alle Ersatzteile können Sie über den Invacare Kundenservice beziehen. Einen elektronischen Ersatzteilkatalog finden Sie auf der jeweiligen Invacare Webseite oder im Händler-Portal auf Invacare DIREKT.

### 3.3 Farbcodierungen für Rahmen

Komponente	Farbcodierung (RAL)
Rahmenrohre	Weiß, RAL 9003
Basisrohre (Ocean E-VIP)	Grau, RAL7042/ ohne Beschichtung
Fußstützenrohre/ Kopfstützenrohre	ohne Beschichtung
Armlehnenhalterung (=> 01/2021)	Blau, RAL 5002
Armlehnenhalterung (02/2021 =>)	Grau, RAL 7035

## 4 Wiederaufbereitung

### 4.1 Reinigung und Desinfektion

Das Produkt kann mithilfe von handelsüblichen Mitteln gereinigt und desinfiziert werden.

1. Entfernen Sie befestigte Zubehörteile (nur Zubehörteile, für die keine Werkzeuge erforderlich sind).
2. Ziehen Sie die Fußstützen aus den Führungen.
3. Nehmen Sie die Sitzplatte und den Rückenlehnenbezug ab.
4. Für Ocean VIP Ergo/Ocean Dual VIP Ergo: Entfernen Sie die Bremsabdeckungen und den Klemmschutz.
5. Wischen Sie die Einzelteile mit einem Tuch oder einer Bürste ab und verwenden Sie dabei handelsübliche Reinigungs- und Desinfektionsmittel.
6. Spülen Sie die Teile mit warmem Wasser ab.
7. Trocknen Sie die Teile mit einem Tuch.
8. Setzen Sie das Produkt wieder zusammen.



#### WICHTIG!

Alle verwendeten Reinigungs- und Desinfektionsmittel müssen wirksam und miteinander verträglich sein und das Material schützen, das mit ihnen gereinigt wird. Weitere Informationen zur Dekontamination in medizinischen Umgebungen finden Sie in den Richtlinien zur Infektionskontrolle vor Ort.

- Von Hand, in einer Waschmaschine oder im Autoklav reinigen.
- Keine Scheuermittel verwenden.

#### Reinigung in klinischer Umgebung



Zusätzlich zu der oben beschriebenen Reinigung empfehlen wir, das Produkt vor dem Gebrauch durch einen anderen Patienten, nach dem Nutzungszeitraum oder regelmäßig (je nachdem, was früher eintritt) bei

- 90 °C für 1 Minute
- 85 °C für 3 Minuten
- 80 °C für 10 Minuten

in einer Waschmaschine oder im Autoklav zu reinigen.



#### VORSICHT!

#### Verbrennungsgefahr für die Haut

– Lassen Sie das Produkt nach dem Reinigen im Autoklav abkühlen.

#### Reinigung des Rückenlehnenbezugs

1. Nehmen Sie den Rückenlehnenbezug ab.
2. Waschen Sie den Rückenlehnenbezug bei max. 60 °C mit einem milden Waschmittel in der Waschmaschine.

### 4.3 Wiederaufbereitungsschema

Die folgenden Punkte müssen überprüft und abgehakt werden, wenn eine Wiederaufbereitung erforderlich ist:

#### Allgemeines

	Überprüfen auf	Maßnahme zur Fehlerbehebung	OK
1	Ordnungsgemäße Montage aller Teile, alle Schrauben sind fixiert (einschließlich Schwenkräder)	Ziehen Sie die Schrauben bei Bedarf unter Verwendung eines Schraubensicherungslacks fest. Informationen zu den Drehmomenten finden Sie in den Abbildungen.	<input type="checkbox"/>



#### WICHTIG!

#### Gefahr von Beschädigungen

- Waschen bei höheren Temperaturen kann Beschädigungen zur Folge haben.
- Bezüge nicht im Wäschetrockner trocknen.



#### WICHTIG!

- Übermäßige Reinigung kann Textilien schädigen.
- Aus hygienischen Gründen empfehlen wir, den Rückenlehnenbezug alle zwei Jahre zu erneuern.

#### Reinigen des Toilettentopfs (optional)

Der Toilettentopf kann im Autoklav gereinigt werden. Hierfür kommen die folgenden Reinigungszyklen (Temperatur/Dauer) in Betracht:

- 90 °C für 1 Minute
- 85 °C für 3 Minuten
- 80 °C für 10 Minuten

#### Desinfektion

1. Desinfizieren Sie das Produkt, indem Sie alle direkt zugänglichen Oberflächen mit einem Desinfektionsmittel abwischen (das Produkt möglichst vor dem Desinfizieren in seine Einzelteile zerlegen).

### 4.2 Materialübersicht

Informationen zu den Produktmaterialien finden Sie in der entsprechenden Gebrauchsanweisung.

Informationen zu den Zubehörmaterialien finden Sie in der nachfolgenden Tabelle:

Zubehörteil	Material(ien)
Ergonomischer Softsitz / Variabler Softsitz / Softsitze	PUR
Spritzschutz (Ocean)	PUR
Spritzschutz (Ocean Ergo)	PP
Glatter Rückenlehnenbezug	Kunstleder/PVC-Auskleidung
Feste Rückenlehne	PE-HD
Kopfstützenpolster/Pelotte	PUR
Waden- und Amputationsstütze/ Wadenstütze mit Fußstütze	PUR (Beinstütze)/PP (Fußstütze)
Toilettentopfhalterung	Edelstahl
Toilettentopf mit Deckel	PP

**Rahmen (alle Rahmenteile, Rohre einschließlich Rückenlehne)**

	Überprüfen auf	Maßnahme zur Fehlerbehebung	OK
1	Mechanische Schäden an Rahmenteilen (Risse, Brüche)	Entsorgen Sie den Rahmen und ersetzen Sie ihn durch einen neuen (siehe 5.9 <i>Austauschen der Seitenteile (Ocean VIP Ergo/Ocean Dual VIP Ergo)</i> , Seite 47 oder Gebrauchsanweisung).  Entsorgen Sie das Produkt anderenfalls.	<input type="checkbox"/>
2	Mechanische Schäden an der Anti-Kipp-Vorrichtung (Ocean Dual VIP/Ocean Dual VIP Ergo)	Tauschen Sie die Anti-Kipp-Vorrichtung aus (siehe Gebrauchsanweisung).	<input type="checkbox"/>

**Seitenteile**

	Überprüfen auf	Maßnahme zur Fehlerbehebung	OK
1	Mechanische Schäden	Entsorgen Sie die Seitenteile und ersetzen Sie sie durch neue (siehe 5.9 <i>Austauschen der Seitenteile (Ocean VIP Ergo/Ocean Dual VIP Ergo)</i> , Seite 47 oder Gebrauchsanweisung).	<input type="checkbox"/>

**Sitz**

	Überprüfen auf	Maßnahme zur Fehlerbehebung	OK
1	Schäden am Sitz (Risse, scharfe Kanten)	Tauschen Sie den Sitz aus (siehe Gebrauchsanweisung).	<input type="checkbox"/>
2	Weniger stabiler Sitz		<input type="checkbox"/>
3	Schäden an den Schnappverbindungen an der Unterseite		<input type="checkbox"/>

**Rückenlehnenbezug**

	Überprüfen auf	Maßnahme zur Fehlerbehebung	OK
1	Schäden am Rückenlehnenbezug (Risse, offene Nähte, beschädigte Gurtschlösser)	Tauschen Sie den Rückenlehnenbezug aus (siehe Gebrauchsanweisung).	<input type="checkbox"/>

**Fußauflage**

	Überprüfen auf	Maßnahme zur Fehlerbehebung	OK
1	Schäden an der Fußplatte (Risse, scharfe Kanten)	Tauschen Sie die Fußplatten aus (siehe 5.5 <i>Austauschen der Fußplatten</i> , Seite 43).	<input type="checkbox"/>
2	Schäden an der Befestigung der Fußauflage am Rahmen (Ocean VIP/Ocean E-VIP)	Tauschen Sie die Befestigung der Fußauflage aus (siehe 5.4 <i>Austauschen der Fußstützenhalterung (Ocean VIP/Ocean Dual VIP/Ocean E-VIP)</i> , Seite 43).	<input type="checkbox"/>
3	Schäden an den Rohren	Tauschen Sie die gesamte Fußauflage aus (siehe Gebrauchsanweisung).	<input type="checkbox"/>
4	Schäden an den Befestigungsklemmen	Tauschen Sie die Befestigungsklemmen der Fußauflage aus.	<input type="checkbox"/>

**Armlehne**

	Überprüfen auf	Maßnahme zur Fehlerbehebung	OK
1	Schäden an den Armlehnenrohren oder Armlehnhalterungen (Risse, scharfe Kanten)	Tauschen Sie die Armlehne aus (siehe 5.2 <i>Austauschen der Armlehne (=&gt; 01/2021)</i> , Seite 41).	<input type="checkbox"/>
2	Schäden an den Armlehnepolstern (Risse, scharfe Kanten)	Tauschen Sie das Armlehnepolster aus (siehe 5.2.1 <i>Austauschen des Armlehnepolsters (=&gt; 01/2021)</i> , Seite 41).	<input type="checkbox"/>

## Schwenkräder

	Überprüfen auf	Maßnahme zur Fehlerbehebung	OK
1	Schwerfällige oder beschädigte Schwenklager	Tauschen Sie das gesamte Schwenkrad aus (siehe 5.6 <i>Austauschen der Schwenkräder, Seite 44</i> ).	<input type="checkbox"/>
2	Schwerfälliges Schwenkrad (Lager)		<input type="checkbox"/>
3	Schäden an der Lauffläche des Schwenkrads		<input type="checkbox"/>
4	Schäden an der Schwenkradgabel		<input type="checkbox"/>
5	Stark festgezogene Bolzenverbindungen am Rahmen	Ersetzen Sie die Bolzen durch neue Bolzen mit Schraubensicherungslack.	<input type="checkbox"/>

## 24"-Räder (Ocean/Ocean Ergo)

	Überprüfen auf	Maßnahme zur Fehlerbehebung	OK
1	Schäden an den 24"-Rädern	Tauschen Sie die 24"-Räder aus (siehe Montageanleitung).	<input type="checkbox"/>
2	Ordnungsgemäße Funktion der Bremse (Rad muss blockieren)	Stellen Sie die Bremsen ein oder tauschen Sie die Bremsen aus (siehe Montageanleitung).	<input type="checkbox"/>
3	Richtige Montage der 24"-Räder, die Verriegelungsstifte ragen über das Ende der Nabe zur vollständigen Entriegelung heraus	Stellen Sie die Nabe ein oder tauschen Sie die Nabe oder Achse aus (siehe Montageanleitung).	<input type="checkbox"/>

## Kopfstütze (Ocean VIP/Ocean Dual VIP/Ocean E-VIP/Ocean VIP Ergo/Ocean Dual VIP Ergo)

	Überprüfen auf	Maßnahme zur Fehlerbehebung	OK
1	Schäden an der Kopfstützenbefestigung (Risse, scharfe Kanten)	Tauschen Sie die Kopfstütze aus (siehe Montageanleitung).	<input type="checkbox"/>
2	Schäden am Kopfstützenpolster	Tauschen Sie das Kopfstützenpolster aus (siehe Montageanleitung).	<input type="checkbox"/>

## Mechanismus zur Sitzwinkelverstellung (Ocean VIP/Ocean Dual VIP/Ocean VIP Ergo/Ocean Dual VIP Ergo)

	Überprüfen auf	Maßnahme zur Fehlerbehebung	OK
1	Schäden am Bowdenzugsystem oder den Zughüllen	Tauschen Sie das Bowdenzugsystem aus (siehe 5.12 <i>Austauschen des Bowdenzugs zur Sitzwinkelverstellung (Ocean VIP Ergo/Ocean Dual VIP Ergo), Seite 56 / 5.11 Austauschen von Gasdruckfeder, Auslösemechanismus und Bowdenzug zur Sitzwinkelverstellung (Ocean VIP/Ocean Dual VIP), Seite 53</i> ).	<input type="checkbox"/>
2	Schäden am Aktivierungsgriff	Tauschen Sie den Aktivierungsgriff aus (siehe Gebrauchsanweisung).	<input type="checkbox"/>
3	Funktion der Sitzwinkelverstellung und Fixierung der Position (einfache Sitzwinkelverstellung und sicheres Fixieren der Position ist unerlässlich)	<p>Passen Sie den Bowdenzug an (siehe 5.12 <i>Austauschen des Bowdenzugs zur Sitzwinkelverstellung (Ocean VIP Ergo/Ocean Dual VIP Ergo), Seite 56 / 5.11 Austauschen von Gasdruckfeder, Auslösemechanismus und Bowdenzug zur Sitzwinkelverstellung (Ocean VIP/Ocean Dual VIP), Seite 53</i>).</p> <p>Nur für Ocean VIP Ergo/Ocean Dual VIP Ergo:</p> <p>Wenn die Sitzwinkelverstellung nicht auf einen Winkel unter 0° eingestellt werden kann, entfernen Sie gegebenenfalls die Sitzwinkelbegrenzer (optionales Zubehör). Weitere Informationen finden Sie in der Montageanleitung des Zubehörs.</p>	<input type="checkbox"/>

	Überprüfen auf	Maßnahme zur Fehlerbehebung	OK
4	Schäden an der Gasdruckfeder	Tauschen Sie die Gasdruckfeder aus (siehe 5.12 <i>Austauschen des Bowdenzugs zur Sitzwinkelverstellung (Ocean VIP Ergo/Ocean Dual VIP Ergo), Seite 56 / 5.11 Austauschen von Gasdruckfeder, Auslösemechanismus und Bowdenzug zur Sitzwinkelverstellung (Ocean VIP/Ocean Dual VIP), Seite 53</i> ).	<input type="checkbox"/>
5	Schäden am Entriegelungsmechanismus	Tauschen Sie den Entriegelungsmechanismus aus (siehe 5.12 <i>Austauschen des Bowdenzugs zur Sitzwinkelverstellung (Ocean VIP Ergo/Ocean Dual VIP Ergo), Seite 56 / 5.11 Austauschen von Gasdruckfeder, Auslösemechanismus und Bowdenzug zur Sitzwinkelverstellung (Ocean VIP/Ocean Dual VIP), Seite 53</i> ).	<input type="checkbox"/>

#### Mechanismus zur Rückenwinkelverstellung (Ocean Dual VIP/Ocean Dual VIP Ergo)

	Überprüfen auf	Maßnahme zur Fehlerbehebung	OK
1	Schäden am Bowdenzugsystem oder den Zughüllen	Tauschen Sie das Bowdenzugsystem aus (siehe 5.10 <i>Austauschen von Gasdruckfeder, Auslösemechanismus und Bowdenzug zur Rückenwinkelverstellung (Ocean Dual VIP/Ocean Dual VIP Ergo), Seite 48</i> ).	<input type="checkbox"/>
2	Schäden am Aktivierungsgriff	Tauschen Sie den Aktivierungsgriff aus (siehe Gebrauchsanweisung).	<input type="checkbox"/>
3	Funktion der Rückenwinkelverstellung und Fixierung der Position (einfache Rückenwinkelverstellung und sicheres Fixieren der Position ist unerlässlich)	Passen Sie den Bowdenzug an (siehe 5.10 <i>Austauschen von Gasdruckfeder, Auslösemechanismus und Bowdenzug zur Rückenwinkelverstellung (Ocean Dual VIP/Ocean Dual VIP Ergo), Seite 48</i> ).	<input type="checkbox"/>
4	Schäden an der Gasdruckfeder	Tauschen Sie die Gasdruckfeder aus (siehe 5.10 <i>Austauschen von Gasdruckfeder, Auslösemechanismus und Bowdenzug zur Rückenwinkelverstellung (Ocean Dual VIP/Ocean Dual VIP Ergo), Seite 48</i> ).	<input type="checkbox"/>
5	Schäden am Entriegelungsmechanismus	Tauschen Sie den Entriegelungsmechanismus aus (siehe 5.10 <i>Austauschen von Gasdruckfeder, Auslösemechanismus und Bowdenzug zur Rückenwinkelverstellung (Ocean Dual VIP/Ocean Dual VIP Ergo), Seite 48</i> ).	<input type="checkbox"/>

#### Abdeckplatten (Ocean VIP Ergo/Ocean Dual VIP Ergo)

	Überprüfen auf	Maßnahme zur Fehlerbehebung	OK
1	Schäden an den Abdeckplatten der Bremsen, den Abdeckungen des Klemmschutzes und der Abdeckung des Kippmechanismus	Tauschen Sie die beschädigten Abdeckungen des Klemmschutzes aus (siehe Gebrauchsanweisung).  Tauschen Sie den Kippmechanismus aus (siehe 5.7 <i>Austauschen der inneren und äußeren Abdeckungen des Seitenteils (Ocean VIP Ergo/Ocean Dual VIP Ergo), Seite 45</i> ).	<input type="checkbox"/>

#### Elektrische Höhen- / Sitzwinkelverstellung (Ocean E-VIP)

	Überprüfen auf	Maßnahme zur Fehlerbehebung	OK
1	Schäden an allen Bowdenzügen	Tauschen Sie beschädigte Komponenten aus.	<input type="checkbox"/>
2	Schäden am Handbedienteil	Tauschen Sie das Handbedienteil aus.	<input type="checkbox"/>
3	Schäden an der Elektronikabdeckung	Tauschen Sie die Elektronikabdeckung aus (siehe Gebrauchsanweisung).	<input type="checkbox"/>
4	Ordnungsgemäße Funktion der Höhen- / Sitzwinkelverstellung und Notabsenkung	Siehe hierzu die Gebrauchsanweisung (Kapitel „Problembehandlung“).	<input type="checkbox"/>

**Zubehörteile**

	<b>Überprüfen auf</b>	<b>Maßnahme zur Fehlerbehebung</b>	<b>OK</b>
1	Schäden am Zubehör	Tauschen Sie die defekte Komponente oder das gesamte Zubehör aus.	<input type="checkbox"/>

## 5 Anweisungen

### 5.1 Allgemeine Reparaturinformationen

Für Reparaturen sind umfassende Fachkenntnisse erforderlich. Aus diesem Grund sind die verschiedenen Aufgaben in diesen Montageanweisungen in drei Kategorien unterteilt:

Anforderung	Symbol
Leicht – technisches Verständnis erforderlich	■□□
Mittel – technische Kenntnisse erforderlich	■■□
Schwer – technische Kenntnisse und Fachwissen bezüglich der Montage erforderlich	■■■

Die jeweils erforderlichen Werkzeuge und deren Größe sind vor den Anweisungen aufgeführt.



#### WICHTIG!

- Wenn möglich verwenden Sie weiterhin das alte Typenschild. Wenn dies nicht möglich ist, muss das neue Typenschild dieselben Informationen und die alte Seriennummer aufweisen. (Austausch von Ersatzteilen mit Seriennummern).
- Beim Austausch von Komponenten muss die Nachverfolgbarkeit der ersetzten Komponenten gewährleistet werden.
- Wenn Schrauben mit Schraubensicherungslack gelöst werden, müssen sie durch neue Schrauben mit Schraubensicherungslack ersetzt werden. Alternativ kann ein neuer Schraubensicherungslack (z. B. Loctite 2701) angewendet werden.
- Wenn Schrauben mit Sicherungsscheiben gelöst werden, müssen sie ersetzt werden.
- Teile, die beim Entfernen beschädigt werden, müssen ersetzt werden.



## 5.2 Austauschen der Armlehne (=> 01/2021)


Bei älteren Modellen bis Januar 2021



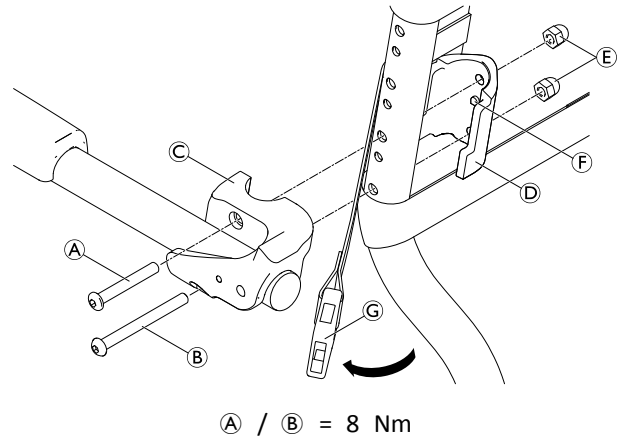
Inbusschlüssel (4 mm)



1. Lösen Sie die Schrauben **A** und **B** der Armlehnenhalterung **C** mithilfe des im Lieferumfang enthaltenen Inbusschlüssels.
2. Entfernen Sie die Fixierschelle **D** samt Muttern **E** von der Innenseite des Rückenlehnenrahmens.
3. Entfernen Sie die Armlehnenhalterung **C** mit der Armlehne.

 Das kleinere Loch dient zum Arretieren der Fixierschelle.

4. Setzen Sie die Schrauben in die neue Armlehnenhalterung ein und schieben Sie sie durch die Löcher im Rückenlehnenrahmen.
5. Setzen Sie die Muttern ggf. wieder in die Fixierschelle ein.
6. Platzieren Sie die Fixierschellen so am Rückenlehnenrahmen, dass die Fixierung **F** an der Halteschelle in das kleinere Loch greift.
7. Ziehen Sie die Schrauben in den Muttern fest.
8. Rechte und linke Armlehne werden auf dieselbe Weise ausgetauscht.



### 5.2.1 Austauschen des Armlehnepolsters (=> 01/2021)

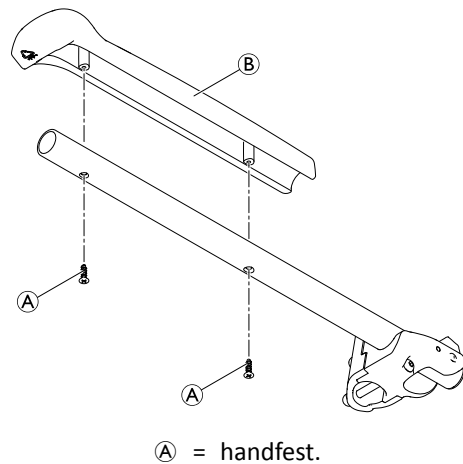
Bei älteren Modellen bis Januar 2021



Kreuzschlitzschraubendreher



1. Entfernen Sie die Schrauben **A**.
2. Tauschen Sie das Armlehnepolster **B** aus.
3. Setzen Sie die Schrauben wieder ein und ziehen Sie sie fest.





## 5.3 Austauschen der Armlehne (02/2021 =>)

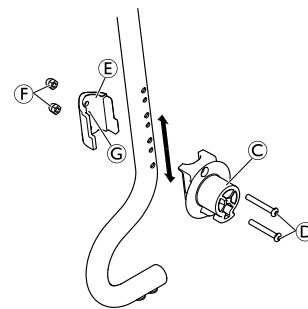
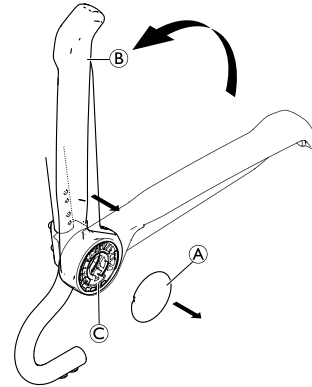
Für neue Modelle ab Februar 2021



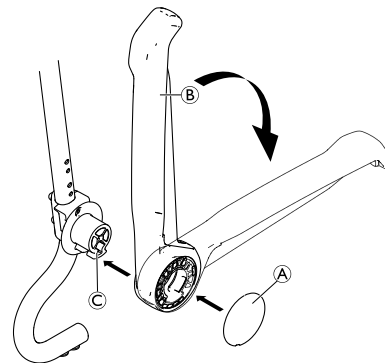
Inbusschlüssel (4 mm)



1. Führen Sie diesen Gurt an der Innenseite des Rückenlehnenrahmens vorbei und schließen Sie ihn wieder.
2. Kappe **A** entfernen.
3. Klappen Sie die Armlehne **B** hoch, um sie von der Armlehnenhalterung **C** abzuziehen.
  
4. Entfernen Sie die Schrauben **D** aus der Armlehnenhalterung **C** mit dem mitgelieferten Inbusschlüssel.
5. Entfernen Sie die Fixierschelle **E** mit den Muttern **F** an der Innenseite des Rückenlehnenrahmens.
  -  Die Muttern sind lose in die Fixierschelle eingesetzt und können herausfallen.
6. Um die Armlehnenhalterung und die Fixierschelle wieder an der gewünschten Position anzubringen, setzen Sie die Schrauben **D** in die Armlehnenhalterung ein und führen Sie sie durch die gewünschten Löcher im Rückenlehnenrahmen.
  -  Die kleineren Löcher auf der Innenseite des Rückenlehnenrahmens fixieren die Fixierschelle.
7. Setzen Sie die Fixierschelle so ein, dass die Befestigung **G** der Fixierschelle in die kleinere Bohrung eingreift.
8. Ziehen Sie die Schrauben **D** fest.
9. Montieren Sie die Armlehne **B** wieder an der Montagehalterung **C**.
10. Klappen Sie die Armlehne nach unten.
11. Bringen Sie die Kappe **A** wieder an.
12. Rechte und linke Armlehne werden auf dieselbe Weise ausgetauscht.



**D** = 8 Nm



## 5.4 Austauschen der Fußstützenhalterung (Ocean VIP/Ocean Dual VIP/Ocean E-VIP)



Inbusschlüssel (4 mm)



1. Lösen Sie den Bolzen ④ und den Abstandhalter ⑤.
2. Entfernen Sie die Fußstützenhalterung ① vom Rahmenrohr ③.



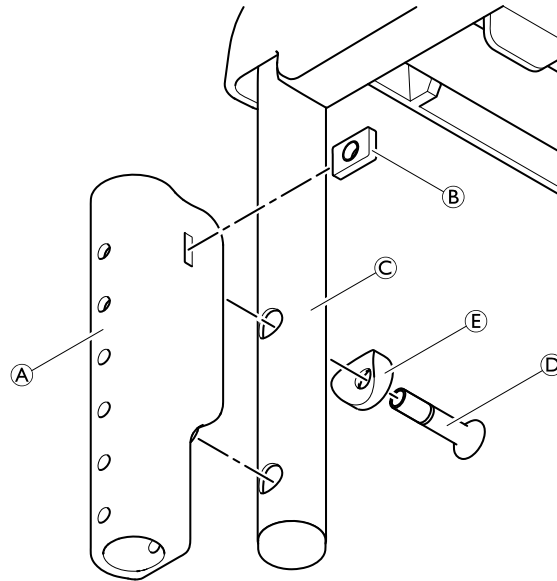
Führen Sie zum Anbringen der Fußstützenhalterung die Schritte 2 bis 1 in umgekehrter Reihenfolge aus.



Achten Sie beim Wiederanbringen darauf, dass sich beide Führungsnippel auf der Rückseite der Fußstützenhalterung mit den Löchern am Rahmenrohr decken.



Achten Sie darauf, dass die Gewindeplatte ② in den Schlitz der Fußstützenhalterung eingesetzt wird.



④ = 7 Nm

## 5.5 Austauschen der Fußplatten



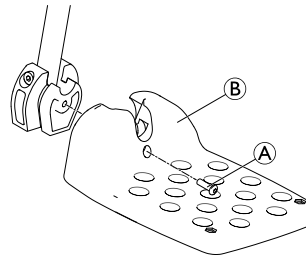
Inbusschlüssel (4 mm)



1. Entfernen Sie das Fersenband vom Fußstützenrohr.
2. Entfernen Sie den Bolzen ①.
3. Entfernen Sie die Fußplatte ②.

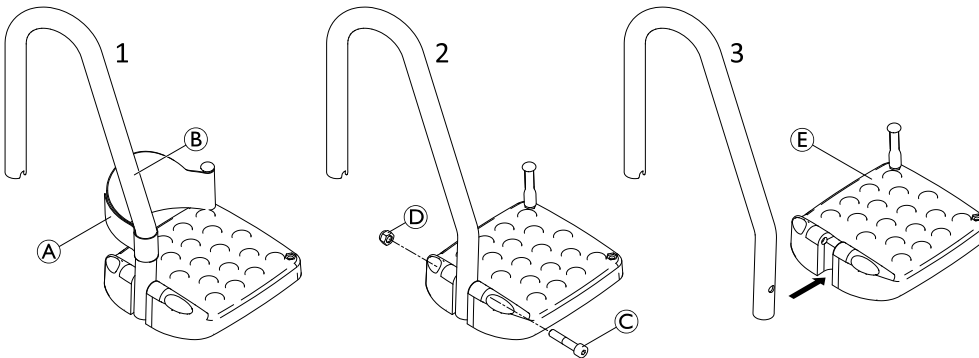


Führen Sie zum Anbringen der Fußplatte Schritte 3 bis 1 in umgekehrter Reihenfolge aus.



① = 2 bis 3 Nm

### Ocean E-VIP:



1. Entfernen Sie das Fersenband ① vom Fußstützenrohr ②.
2. Entfernen Sie den Bolzen ③ und die Mutter ④.
3. Entfernen Sie die Fußplatte ⑤.



Führen Sie zum Anbringen der Fußplatte Schritte 3 bis 1 in umgekehrter Reihenfolge aus.

③ = 4 bis 5 Nm

## 5.5.1 Austauschen des flexiblen Befestigungsstifts



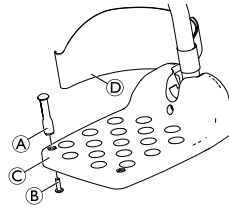
Kreuzschlitzschraubendreher



1. Entfernen Sie den flexiblen Befestigungsstift **A**, indem Sie die Schraube **B** auf der Unterseite der Fußplatte **C** lösen.
2. Entfernen Sie das Fersenband **D**.



Führen Sie zum Anbringen des flexiblen Befestigungsstifts die Schritte 2 und 1 in umgekehrter Reihenfolge aus.



**B** = 4 Nm

## 5.5.2 Abnehmen und Anbringen des Drehgelenks

Wenn die Beinstützenrohre gekürzt werden müssen, müssen die Drehgelenke entfernt werden.



Inbusschlüssel (6 mm)

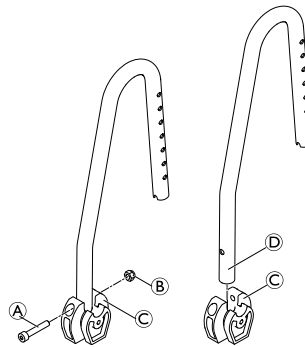


1. Entfernen Sie den Bolzen **A** und die Mutter **B**.
2. Entfernen Sie das Drehgelenk **C** vom Fußstützenrohr **D**.



Wiederholen Sie zur Montage des Drehgelenks die Schritte 2 bis 1 in umgekehrter Reihenfolge.

**A** = 4 bis 5 Nm



## 5.6 Austauschen der Schwenkräder



Inbusschlüssel (10 mm)/Schraubensicherungslack (z. B. Loctite 2701)

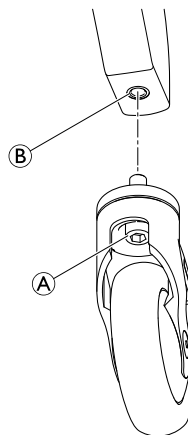


1. Entfernen Sie das Schwenkrad vom Seitenteil, indem Sie den Bolzen **A** aus der Gewindebohrung **B** schrauben.



Führen Sie zum Anbringen des Schwenkrads Schritt 1 in umgekehrter Reihenfolge aus.

**A** = 35 Nm, Anwendung von Schraubensicherungslack, z. B. Loctite 2701



### 5.6.1 Abnehmen/Anbringen des Schwenkrads

Das Schwenkrad kann zur Reinigung demontiert werden.

#### Ocean Ergo/Ocean VIP Ergo/Ocean Dual VIP Ergo



Torx-Schraubendreher (T30)

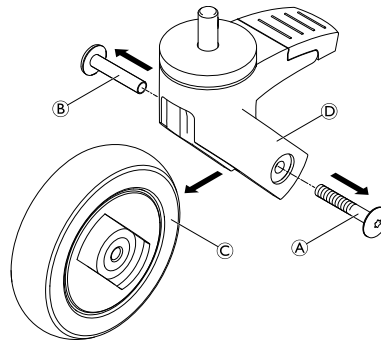


1. Lösen Sie die Schraube **A** von der Gewindehülse **B** und entfernen Sie sie vom Lagerblock **D**.
2. Entfernen Sie das Schwenkrad **C**.



Führen Sie zum erneuten Anbringen des Schwenkrads die Schritte 2 bis 1 in umgekehrter Reihenfolge aus.

**A** = 4 bis 6 Nm



#### Ocean/Ocean VIP/Ocean Dual VIP/Ocean E-VIP



Inbusschlüssel (5 mm)

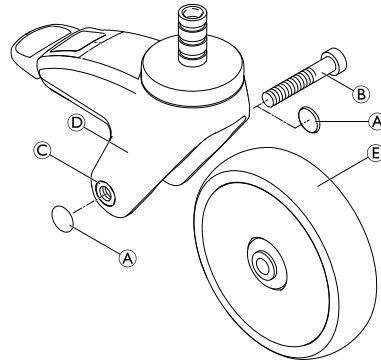


1. Entfernen Sie die Kunststoffabdeckkappen **A**.
2. Lösen Sie den Bolzen **B** von der Mutter **C** und entfernen Sie ihn vom Lagerblock **D**.
3. Entfernen Sie das Schwenkrad **E**.



Führen Sie zum erneuten Anbringen des Schwenkrads die Schritte 3 bis 1 in umgekehrter Reihenfolge aus.

**B** = 3 Nm



### 5.7 Austauschen der inneren und äußeren Abdeckungen des Seitenteils (Ocean VIP Ergo/Ocean Dual VIP Ergo)



Schlitzschraubendreher

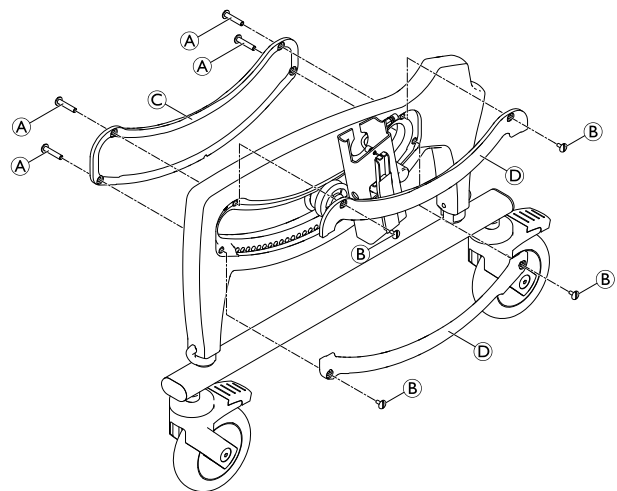


1. Entfernen Sie die Bremsabdeckung vom Sitzrahmen (siehe Gebrauchsanweisung).
2. Lösen Sie die Schraubenmuttern **A** und die Schrauben **B**.
3. Entfernen Sie die äußere Abdeckung des Seitenteils **C**.
4. Entfernen Sie die inneren Abdeckungen des Seitenteils **D**.



Führen Sie zur Montage der inneren und äußeren Abdeckungen des Seitenteils die Schritte 4 bis 1 in umgekehrter Reihenfolge aus.

**B** = handfest




## 5.8 Austauschen der Sitzlagerfixierung (Ocean VIP Ergo/Ocean Dual VIP Ergo)



Schlitzschraubendreher/Inbusschlüssel (4 mm)



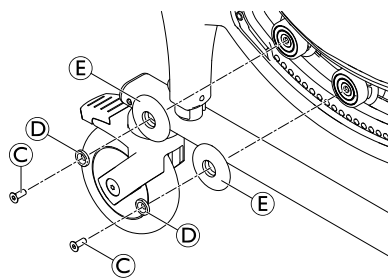
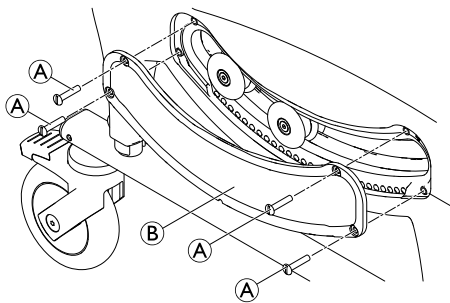
1. Entfernen Sie die Bremsabdeckung vom Sitzrahmen (siehe Gebrauchsanweisung).
2. Lösen Sie die Schraubenmuttern ① und die Schrauben.
3. Entfernen Sie die äußere Abdeckung des Seitenteils ②.
4. Entfernen Sie die inneren Abdeckungen des Seitenteils.
5. Lösen Sie Bolzen ③, Unterlegscheiben ④ und Bordscheiben ⑤.
6. Bringen Sie neue Bordscheiben, Unterlegscheiben und Bolzen an und ziehen Sie sie fest.

 Überprüfen Sie die äußere Abdeckung des Seitenteils ② auf Schäden und tauschen Sie sie bei Bedarf aus.

7. Bringen Sie die äußere Abdeckung des Seitenteils mit einer Schraubenmutter ① wieder an.
8. Wiederholen Sie dieselben Schritte auf der anderen Seite.

① = handfest

③ = 6 Nm



## 5.9 Austauschen der Seitenteile (Ocean VIP Ergo/Ocean Dual VIP Ergo)



Schlitzschraubendreher/Inbusschlüssel (4 mm) ■■■



Entfernen Sie zur leichteren Handhabung die Rückenlehne vom Sitzrahmen (siehe Gebrauchsanweisung).

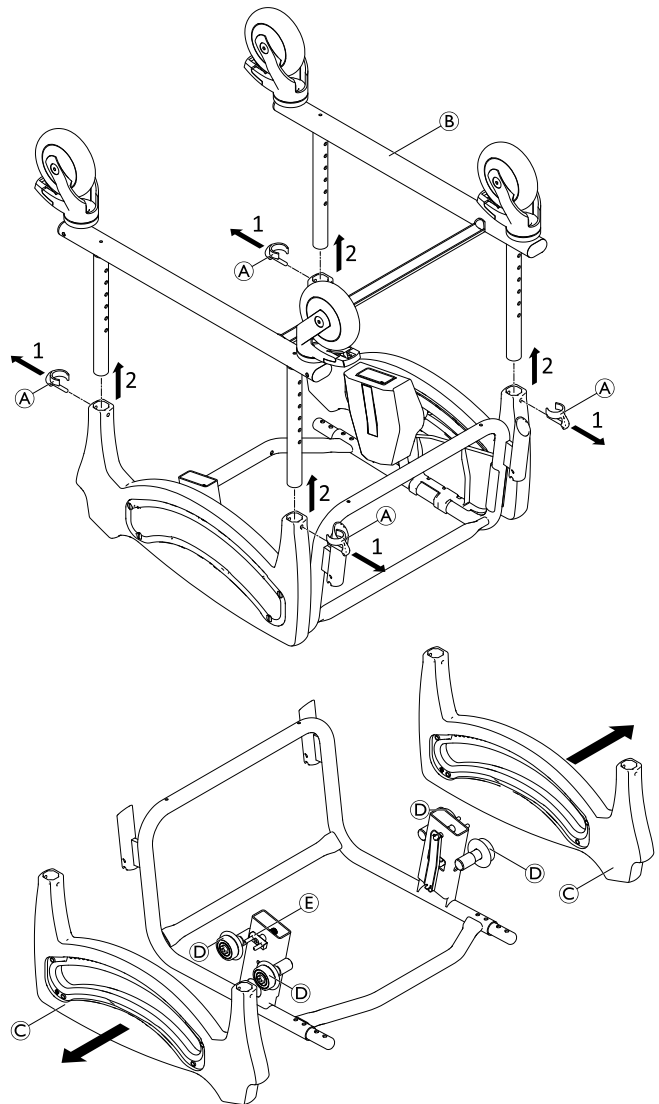
1. Entfernen Sie die Sitzplatte (siehe Gebrauchsanweisung).
2. Positionieren Sie den Sitzrahmen mit den Seitenteilen verkehrt herum auf einer stabilen Oberfläche.
3. Entfernen Sie die Clips **A** und ziehen Sie den gesamten unteren Rahmen **B** aus den Seitenteilen heraus.
4. Entfernen Sie die Bremsabdeckungen vom Sitzrahmen (siehe Gebrauchsanweisung).
5. Entfernen Sie die inneren und äußeren Abdeckungen des Seitenteils sowie die Sitzlagerfixierungen auf beiden Seiten (siehe Kapitel 5.7 *Austauschen der inneren und äußeren Abdeckungen des Seitenteils (Ocean VIP Ergo/Ocean Dual VIP Ergo)*, Seite 45 und 5.8 *Austauschen der Sitzlagerfixierung (Ocean VIP Ergo/Ocean Dual VIP Ergo)*, Seite 46).
6. Entfernen Sie die Seitenteile **C**, indem Sie sie aus den Lagern **D** ziehen.



Führen Sie zur Montage der Seitenteile die Schritte 6 bis 1 in umgekehrter Reihenfolge aus.

### WICHTIG!

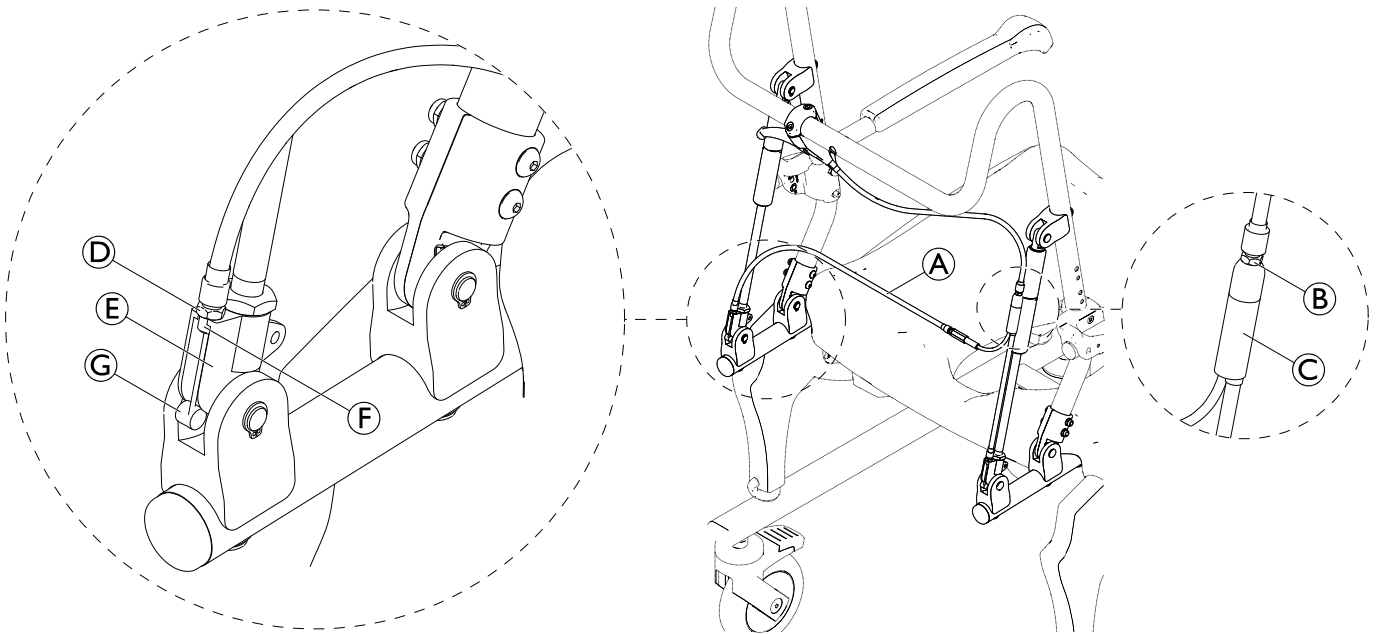
- Achten Sie darauf, dass die Bremsstifte **E** auf der linken und rechten Seite an derselben Stelle eingesetzt werden.




## 5.10 Austauschen von Gasdruckfeder, Auslösemechanismus und Bowdenzug zur Rückenwinkelverstellung (Ocean Dual VIP/Ocean Dual VIP Ergo)

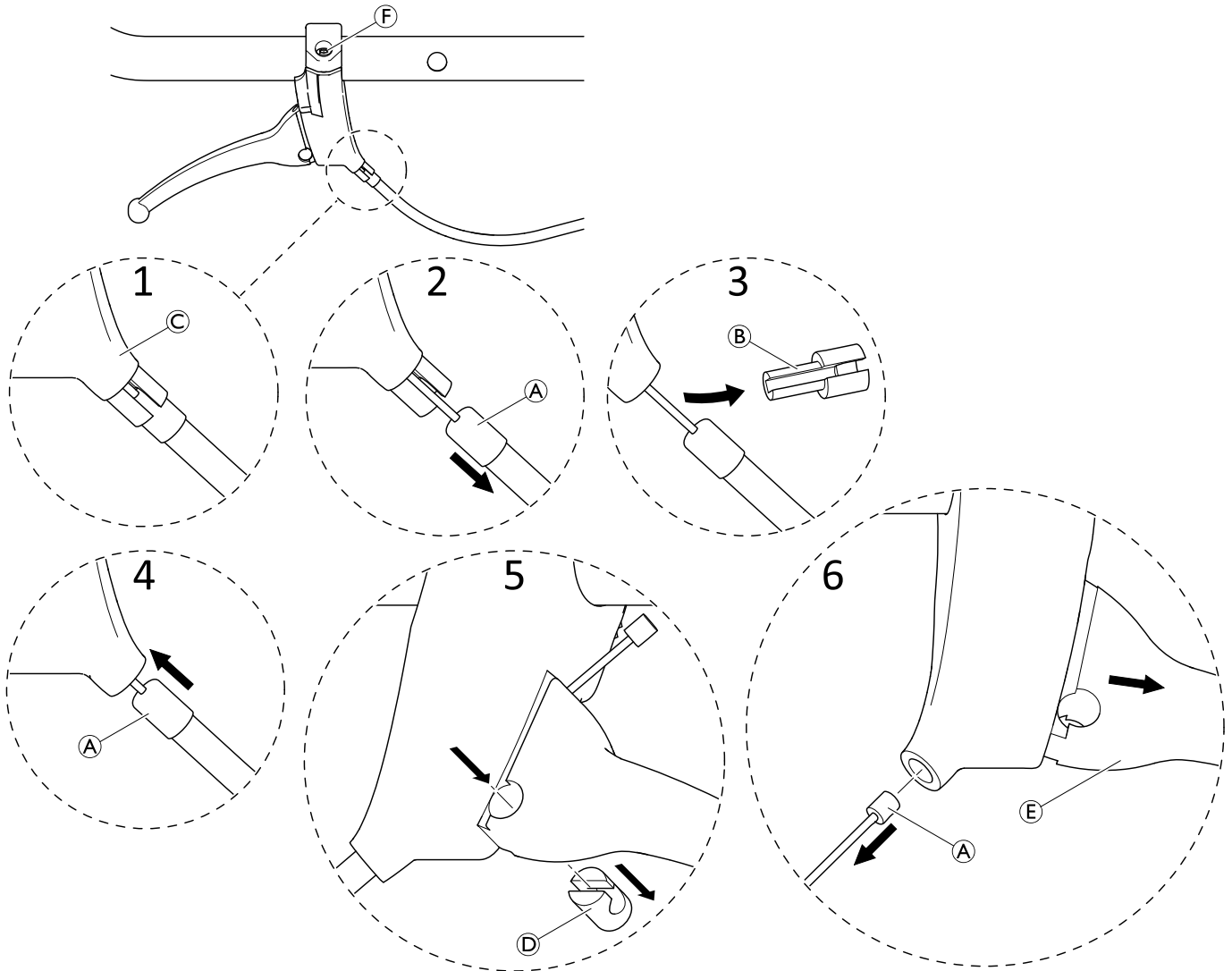



Schraubenschlüssel (6, 8)/Inbusschlüssel (4 mm)/Sprengringzange

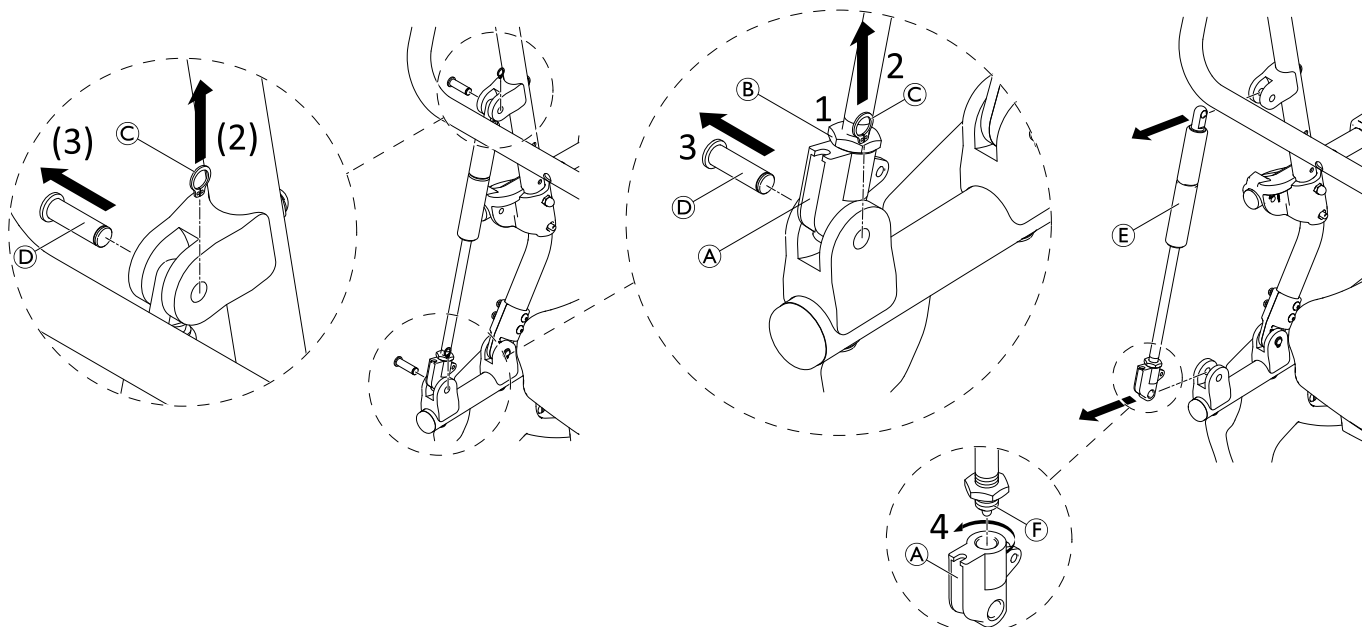


1. Lösen Sie die Mutter **B** am Verteiler **C** vollständig und drehen Sie sie ganz nach oben. Drehen Sie das obere Ende in den Verteiler.
2. Lösen Sie die Mutter **D** am Auslösemechanismus **E** und drehen Sie sie ganz nach oben. Lösen Sie das Gewindeteil **F** vom Auslösemechanismus.
  -  Ziehen Sie den Bowdenzug **A** zur Erleichterung leicht nach oben.
3. Lösen Sie das Bowdenzugende **G**.

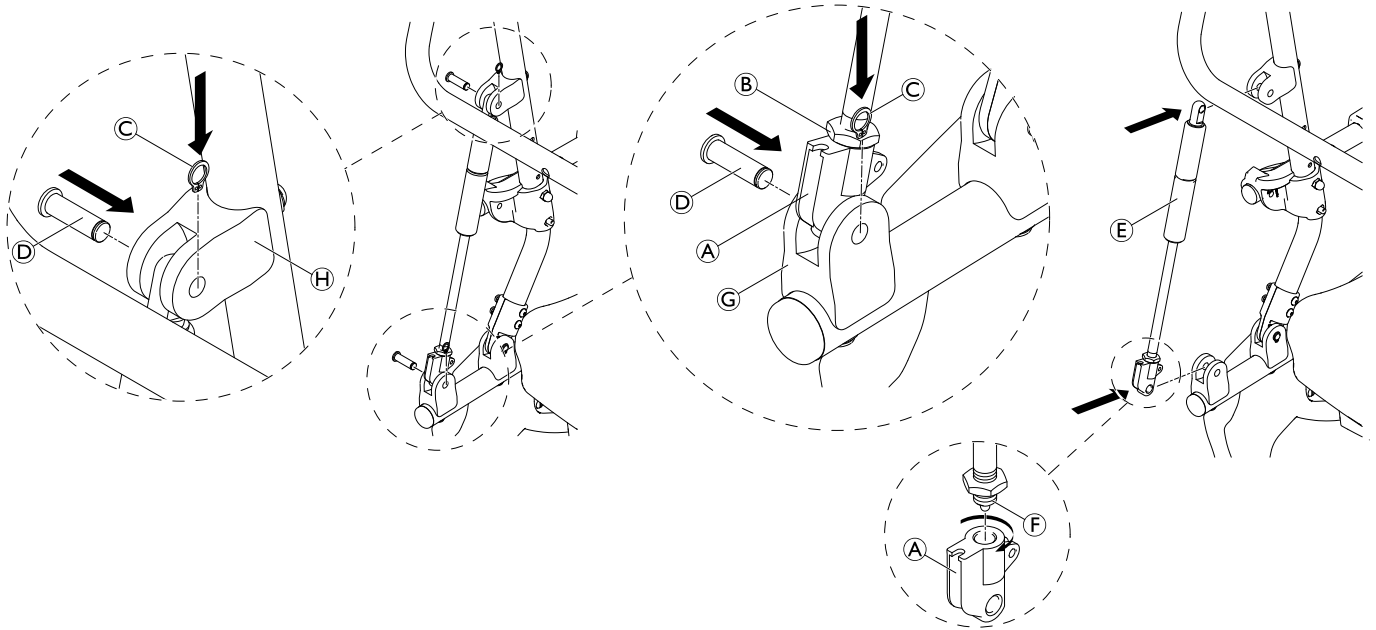





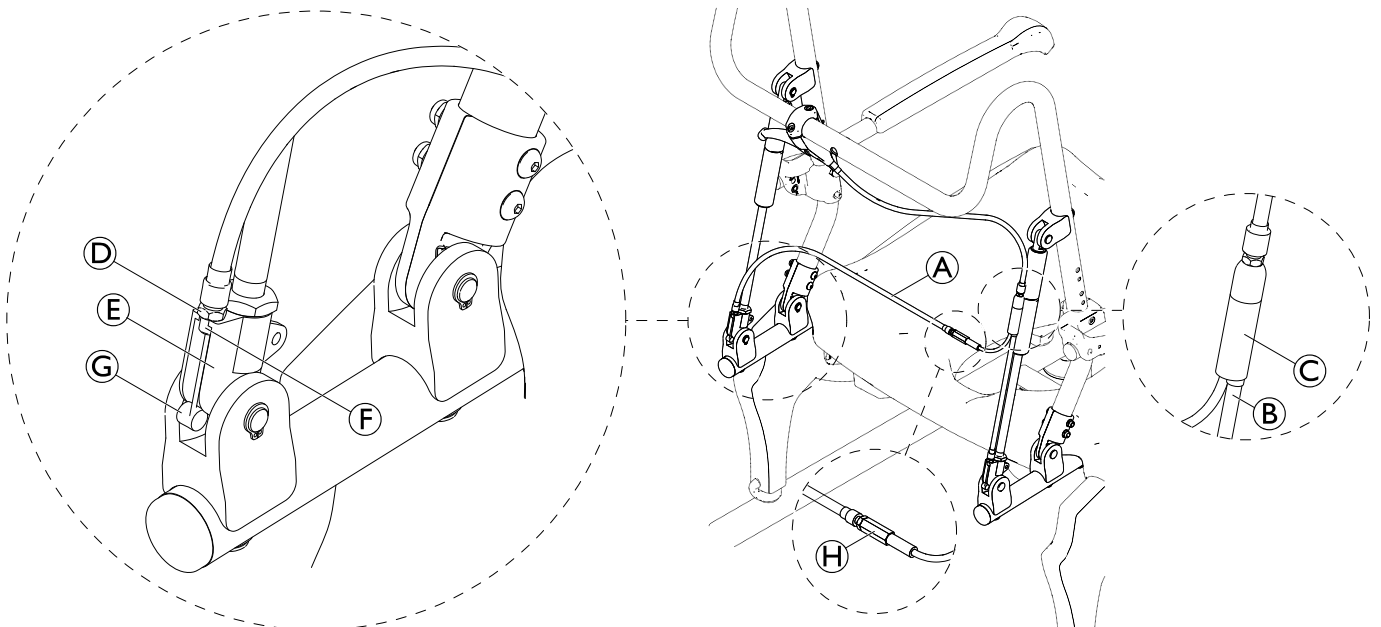
1. Wenn der Aktivierungsgriff einschließlich des Bowdenzug ausgetauscht werden muss: Entfernen Sie den alten Aktivierungsgriff von der Schiebbestange und schrauben Sie den neuen Griff an.
2. Wenn der Bowdenzug **A** oder der Aktivierungsgriff **C** ausgetauscht werden muss: Ziehen Sie den Bowdenzug leicht aus dem Aktivierungsgriff heraus.
3. Entfernen Sie die Hülse **B**.
4. Drücken Sie den Bowdenzug hinein und lösen Sie die Bremsverriegelung (Bremsverriegelung nicht abgebildet).
5. Drücken Sie die Hülse **D** heraus.
6. Ziehen Sie den Bowdenzug vollständig heraus und entfernen Sie den Bremshebel **E**.
7. Wenn der Aktivierungsgriff ausgetauscht werden muss: Lösen Sie die Schrauben **F** und entfernen Sie den Aktivierungsgriff. Montieren Sie den neuen Aktivierungsgriff. Entfernen Sie den Bremshebel **E**.
8. Führen Sie zum Wiederaussetzen den Bowdenzug in den Aktivierungsgriff und den Bremshebel ein.
  -  Wenn ein neuer Bowdenzug montiert werden muss, achten Sie darauf, dass der Zug spannungslos ist (siehe Seite 17, Schritte 1 und 2).
9. Bringen Sie die Hülse **D** wieder an. Achten Sie auf die richtige Ausrichtung.
10. Bringen Sie den Bremshebel **E** erneut an.
11. Bringen Sie die Hülse **B** durch leichtes Ziehen am Bowdenzug wieder an.




1. Wenn der Auslösemechanismus (A) ausgetauscht werden muss:  
Lösen Sie die Mutter (B).
2. Entfernen Sie die Sicherungsscheibe (C).
3. Entfernen Sie den Bolzen (D). (Wenn die gesamte Gasdruckfeder ausgetauscht werden soll, entfernen Sie außerdem die obere Sicherungsscheibe sowie den Bolzen und die Gasdruckfeder (E).)  
 ⓘ Drücken Sie bei Bedarf die Rückenlehne leicht nach vorne, um das Entfernen des Bolzens zu erleichtern.
4. Wenn der Auslösemechanismus ausgetauscht werden muss:  
Drehen Sie den Auslösemechanismus (A) vom Gewindeteil (F) herunter.



1. Wenn der Auslösemechanismus **A** ausgetauscht werden muss: Schrauben Sie den neuen Auslösemechanismus wieder auf. (Lösen Sie zwei Gewindeteile in einem Abstand von 1,5 bis 2 mm zwischen dem Auslösemechanismus und dem Gewindebeginn der Schubstange **F**.)
2. Bringen Sie Bolzen **D** und Sicherungsscheiben **C** wieder an den unteren Befestigungen **G** sowie bei Bedarf an den oberen Befestigungen **H** an, wenn die gesamte Gasdruckfeder ausgetauscht wurde.
  -  Drücken Sie bei Bedarf die Rückenlehne leicht nach vorne, um das Anbringen des Bolzens zu erleichtern.
3. Ziehen Sie die Mutter **B** am Auslösemechanismus fest.



1. Bereiten Sie den Bowdenzug **A** vor: Achten Sie darauf, dass das Zugende **B** ordnungsgemäß im Verteiler **C** positioniert ist.
2. Hängen Sie das Bowdenzugende **G** in den Auslösemechanismus **E**.

 Das längere Ende wird am linken und das kürzere Ende am rechten Auslösemechanismus angebracht.

3. Positionieren Sie das Gewinde ⑥ der Mutter ④ am Auslösemechanismus und schrauben Sie es ein. (Achten Sie darauf, dass ausreichend Gewindegänge in Eingriff kommen.) Ziehen Sie dazu den Bowdenzug leicht nach oben.

**WICHTIG!**

– Achten Sie darauf, dass das Kunststoffteil im Auslösemechanismus beim Schrauben unten bleibt.

**WICHTIG!**

– Achten Sie darauf, dass die Einstellungen auf der linken und rechten Seite übereinstimmen. Das Spiel beim Hochziehen des Bowdenzugs muss auf beiden Seiten übereinstimmen. Dies kann mithilfe des Gewindes/der Mutter am Ende des Zugs am Auslösemechanismus sowie mithilfe des Gewindes/der Mutter am Justierelement ⑤ am längeren Zug durch Aufschrauben oder Zuschrauben angepasst werden.


4. Ziehen Sie nach Abschluss der Anpassung die Muttern am Auslösemechanismus und Justierelement fest.
5. Passen Sie den Bowdenzug über den Verteiler ③ an und ziehen Sie die Mutter fest, damit das Spiel am Griff und am Auslösemechanismus verringert wird (wenn Sie am Zug ziehen). Aufgrund der Einstellung am Verteiler muss der Auslösemechanismus nicht nach oben gezogen werden.
6. Überprüfen Sie die Funktion: Beide Gasdruckfedern müssen gleichzeitig ausgelöst werden.

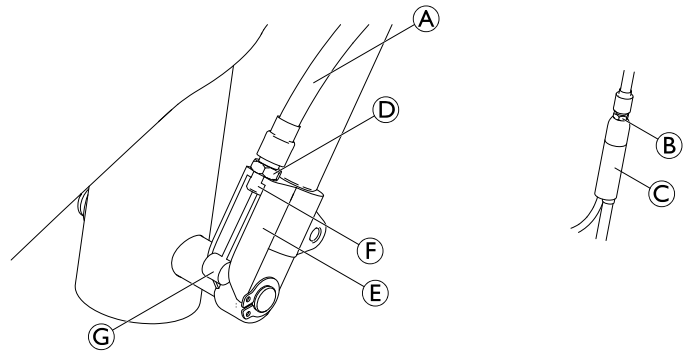
## 5.11 Austauschen von Gasdruckfeder, Auslösemechanismus und Bowdenzug zur Sitzwinkelverstellung (Ocean VIP/Ocean Dual VIP)



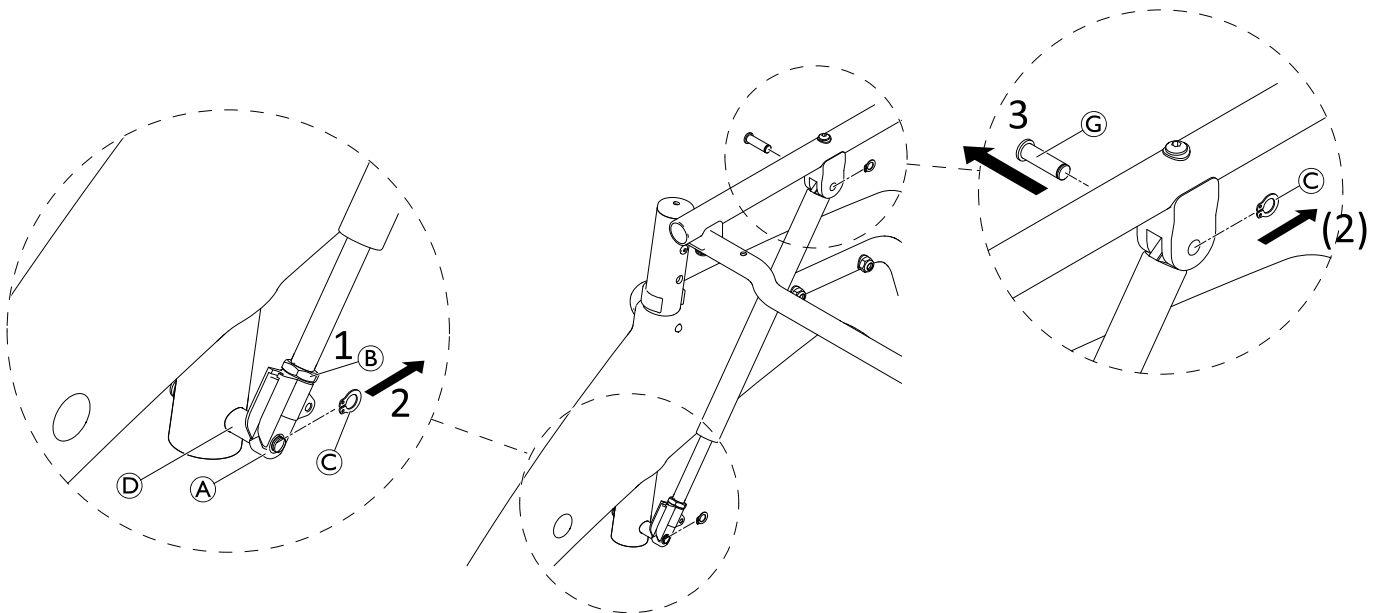
Schraubenschlüssel (6, 8)/Inbusschlüssel (4 mm)/Sprengringzange



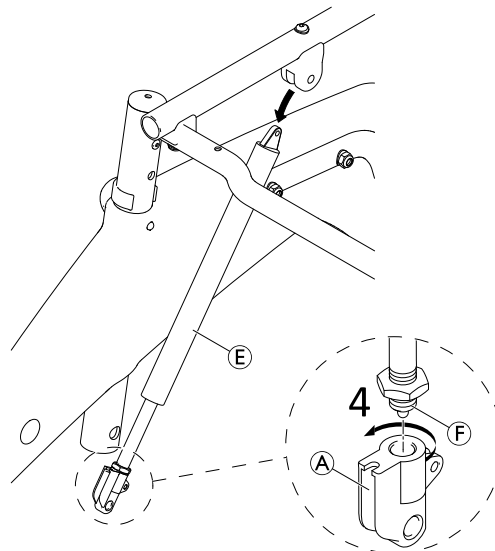
1. Lösen Sie die Mutter **B** am Verteiler **C** vollständig und drehen Sie sie ganz nach oben. Drehen Sie das obere Ende in den Verteiler.
2. Lösen Sie die Mutter **D** am Auslösemechanismus **E** und drehen Sie sie ganz nach oben. Lösen Sie das Gewindeteil **F** vom Auslösemechanismus.
  -  Ziehen Sie den Bowdenzug **A** zur Erleichterung leicht nach oben.
3. Lösen Sie das Bowdenzugende **G**.

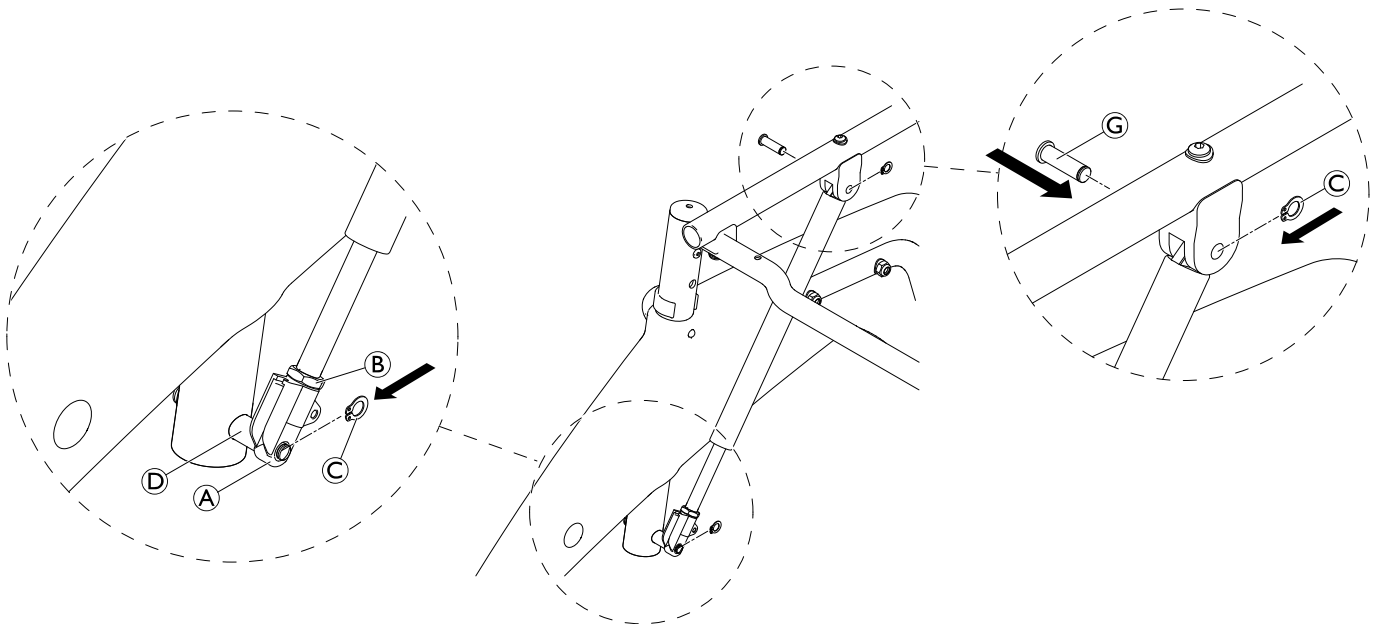


Wenn der Aktivierungsgriff/Bowdenzug ausgetauscht werden muss, finden Sie Informationen dazu in Kapitel 5.10 *Austauschen von Gasdruckfeder, Auslösemechanismus und Bowdenzug zur Rückenwinkelverstellung (Ocean Dual VIP/Ocean Dual VIP Ergo)*, Seite 48.




1. Wenn der Auslösemechanismus **A** ausgetauscht werden muss: Lösen Sie die Mutter **B**.
2. Entfernen Sie die Sicherungsscheibe **C**.
3. Lösen Sie die Gasdruckfeder **E** vom Bolzen **D**.
4. Entfernen Sie außerdem die obere Sicherungsscheibe sowie den Bolzen **G** und die Gasdruckfeder **E**, wenn die gesamte Gasdruckfeder ausgetauscht werden soll.
5. Wenn der Auslösemechanismus ausgetauscht werden muss: Drehen Sie den Auslösemechanismus **A** vom Gewindeteil **F** herunter.






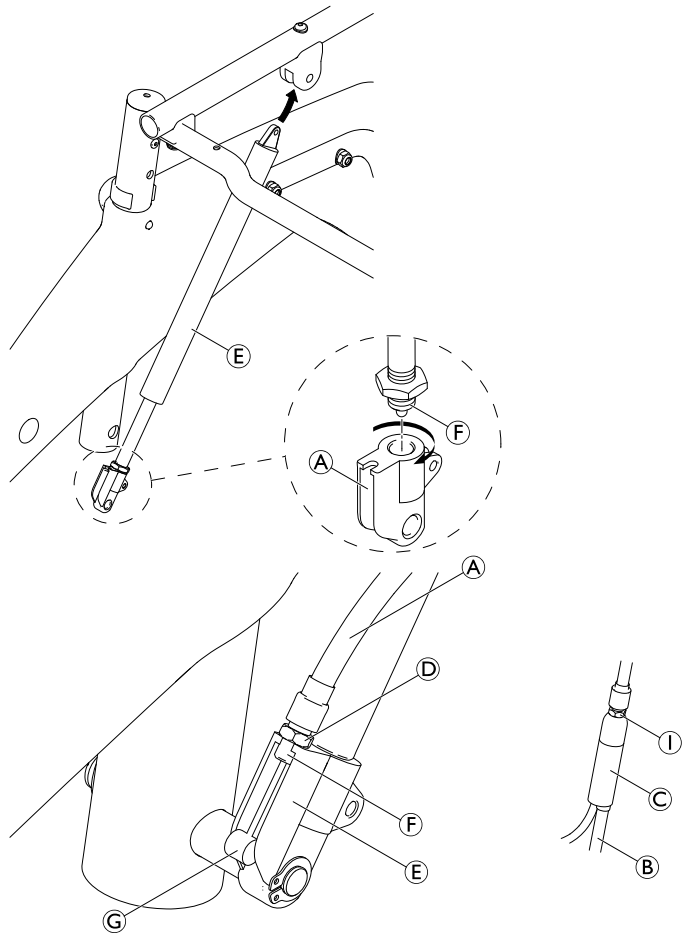
1. Wenn der Auslösemechanismus **A** ausgetauscht werden muss: Schrauben Sie den neuen Auslösemechanismus wieder auf. (Lösen Sie zwei Gewindeteile in einem Abstand von 1,5 bis 2 mm zwischen dem Auslösemechanismus und dem Gewindebeginn der Schubstange **F**.)
2. Bringen Sie die Gasdruckfeder **E** wieder am Bolzen **D** an und sichern Sie sie mit Sicherungsscheiben **C**. Bringen Sie bei Bedarf außerdem den Bolzen **G** und die Sicherungsscheiben **C** wieder an der oberen Befestigung an, wenn die gesamte Gasdruckfeder ausgetauscht wurde.

 Drücken Sie bei Bedarf die Rückenlehne leicht nach vorne, um das Anbringen des Bolzens zu erleichtern.

3. Ziehen Sie die Mutter **B** am Auslösemechanismus fest.
4. Bereiten Sie den Bowdenzug **A** vor: Achten Sie darauf, dass das Zugende **B** ordnungsgemäß im Verteiler **C** positioniert ist.
5. Hängen Sie das Bowdenzugende **G** in den Auslösemechanismus **E**.

 Das längere Ende wird am rechten und das kürzere Ende am linken Auslösemechanismus angebracht.

6. Positionieren Sie das Gewinde **F** der Mutter **D** am Auslösemechanismus und schrauben Sie es ein. (Achten Sie darauf, dass ausreichend Gewindegänge in Eingriff kommen.) Ziehen Sie dazu den Bowdenzug leicht nach oben.



### WICHTIG!

- Achten Sie darauf, dass das Kunststoffteil im Auslösemechanismus beim Schrauben unten bleibt.
- Achten Sie darauf, dass die Einstellungen auf der linken und rechten Seite übereinstimmen. Das Spiel beim Hochziehen des Bowdenzugs muss auf beiden Seiten übereinstimmen. Dies kann mithilfe des Gewindes/der Mutter am Ende des Zugs am Auslösemechanismus angepasst werden.

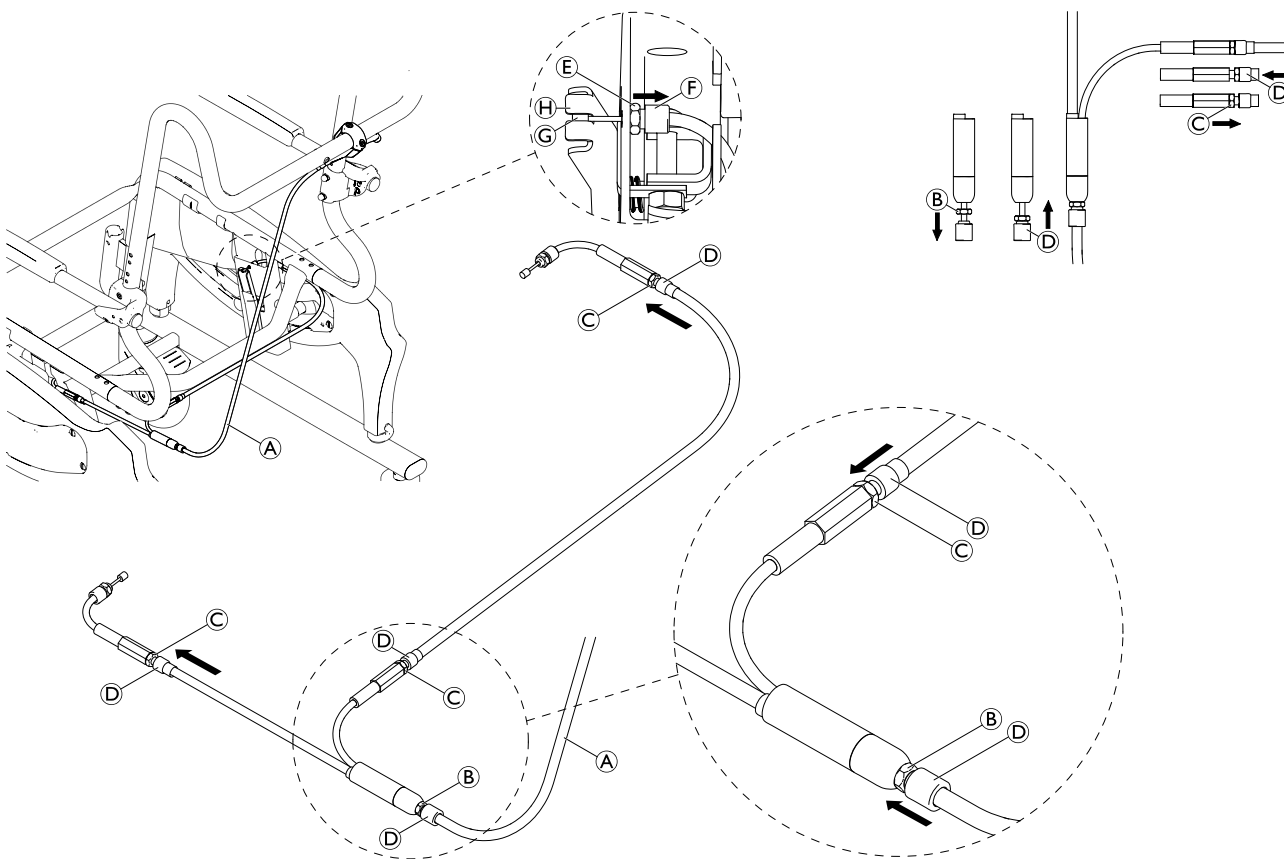
7. Ziehen Sie nach Abschluss der Anpassung die Muttern **D** am Auslösemechanismus **E** fest.

8. Passen Sie den Bowdenzug über den Verteiler © an und ziehen Sie die Mutter ① fest, damit das Spiel am Griff und am Auslösemechanismus verringert wird (wenn Sie am Zug ziehen). Aufgrund der Einstellung am Verteiler muss der Auslösemechanismus nicht nach oben gezogen werden.
9. Überprüfen Sie die Funktion: Beide Gasdruckfedern müssen gleichzeitig ausgelöst werden.

## 5.12 Austauschen des Bowdenzugs zur Sitzwinkelverstellung (Ocean VIP Ergo/Ocean Dual VIP Ergo)



Inbusschlüssel (4)



1. Entfernen Sie für vereinfachten Zugriff die Sitzplatte (siehe Gebrauchsanweisung).
2. Entfernen Sie die Bremsabdeckung (siehe Gebrauchsanweisung).
3. Entfernen Sie die Kabelbinder.
4. Entlasten Sie den Bowdenzug **A**. Lösen Sie dazu alle Muttern **C** an den Zugjustierern und die Mutter **B** am Verteiler vollständig. Schrauben Sie Gewindehülsen **D** vollständig in alle Zugjustierer und den Verteiler ein.
5. Lösen Sie die Muttern **E** an den Zugenden.
6. Lösen Sie die Gewindehülse **F** an den Zugenden und hängen Sie die Zugenden **G** aus den Bremshebeln **H**.

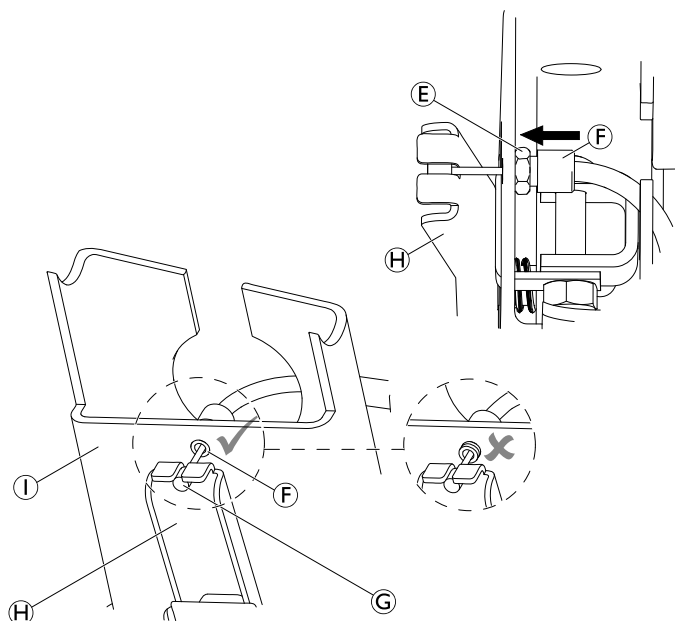
**i** Wenn der Bowdenzug ohne den Aktivierungsgriff ausgetauscht werden muss, muss der Bowdenzug vom Aktivierungsgriff gelöst werden (siehe Kapitel 5.10 *Austauschen von Gasdruckfeder, Auslösemechanismus und Bowdenzug zur Rückenwinkelverstellung (Ocean Dual VIP/Ocean Dual VIP Ergo), Seite 48*).

Wenn der Bowdenzug mit dem Aktivierungsgriff ausgetauscht werden muss, muss der Aktivierungsgriff ausgetauscht werden (siehe Gebrauchsanweisung).

7. Bringen Sie den neuen Bowdenzug an (kürzeres Ende auf der linken Seite) und haken Sie die Zugenden **G** in die Bremshebel **H** ein. Schrauben Sie die Gewindehülse **F** ein, bis sie am Bremsgehäuse **I** anliegt.

**i** Die Gewindehülse darf nicht überlappen.

8. Ziehen Sie die Mutter **E** fest.





## Anpassen des Systems



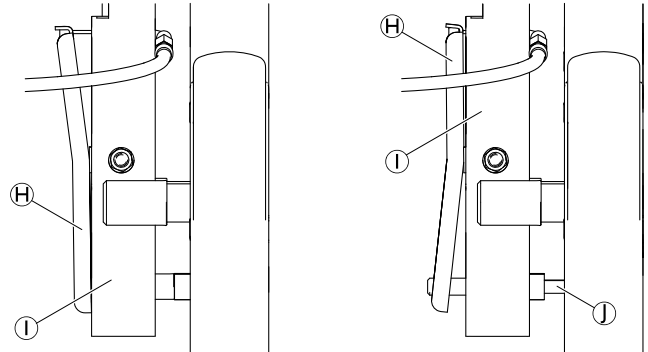
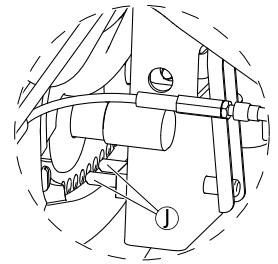
Inbusschlüssel (4)

**WICHTIG!**

- Die Bremsstifte ① müssen vollständig aus den Löchern des Seitenteils gezogen sein, wenn der Bremsgriff aktiviert wird, und die Bremsstifte müssen eingesetzt sein, wenn der Bremsgriff gelöst wird.
- Wenn der Bremsgriff aktiviert wird, müssen die Bremsstifte auf beiden Seiten gleichzeitig herausgezogen werden. Eine sichtbare Lücke zwischen Seitenteil und Bremsstiften ist dabei unerlässlich.
- Die Bremshebel ② müssen am Bremsgehäuse ① anliegen, wenn der Bremshebel gelöst/aktiviert wird.



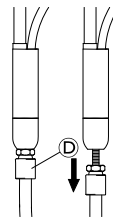
Entfernen Sie die Seitenteilabdeckungen für eine bessere Sicht und leichteren Zugriff.



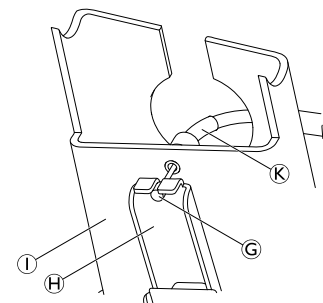
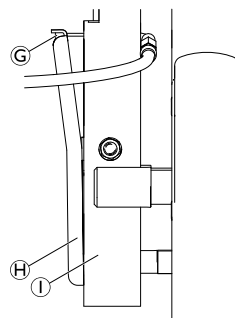
1. Lösen Sie die Gewindehülse ④ am Verteiler so weit wie möglich. Dadurch wird die Lücke zwischen dem Ende des Bowdenzugs ③ und dem Bremshebel ② verringert. Somit wird auch der Betätigungsabstand des Bremsgriffs reduziert.



Achten Sie beim Anpassen darauf, dass sich die schwarzen Kunststoffhülsen ⑤ in der richtigen Position befinden.



2. Stellen Sie sicher, dass der untere Teil des Bremshebels ② am Bremsgehäuse ① anliegt.
3. Ziehen Sie am Zugende ③, um das Spiel zu kontrollieren. Die Einstellung ist zufriedenstellend, wenn es nicht mehr möglich ist, das Ende des Bowdenzugs herauszuziehen.
4. Wenn sich die Lücken auf der rechten und linken Seite unterscheiden, muss dies angepasst werden. Lösen Sie dazu die Gewindehülse am Zugjustierer auf der betroffenen Seite.
5. Wenn alle Einstellungen zufriedenstellend sind, ziehen Sie die Muttern ⑥ und ⑦ fest (siehe erste Abbildung in diesem Kapitel).
6. Überprüfen Sie die Sitzwinkelverstellung. Die Bremsstifte müssen in allen Positionen ordnungsgemäß einrasten.
7. Bringen Sie die Kabelbinder an.
8. Bringen Sie alle Abdeckungen an.



## 5.13 Kürzen von Kopfstütze, Fußstütze und Amputationsstütze nach Bedarf

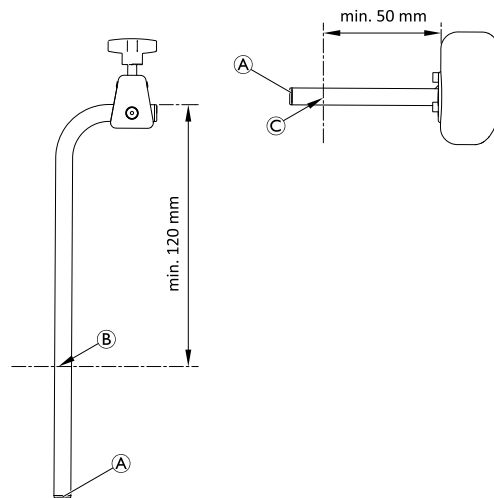


Inbusschlüssel (M6/SW4), Säge, Lineal, Bohrmaschine mit 8,1-mm-Bohrer



### Kopfstütze

1. Entfernen Sie die Stopfen **A**.
2. Kürzen Sie das Höhenverstellrohr **B** nach Bedarf (min. verbleibende Länge von 120 mm).
3. Kürzen Sie das Tiefeneinstellrohr **C** nach Bedarf (min. verbleibende Länge von 50 mm).
4. Entgraten Sie alle scharfen Kanten.
5. Bringen Sie die Stopfen wieder an.



### Fußstütze

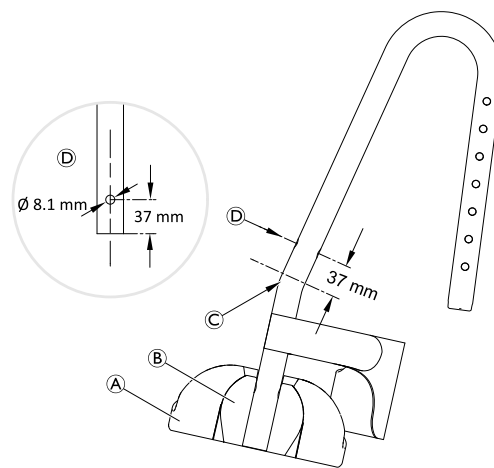
1. Entfernen Sie die Fußplatte **A** und das Drehgelenk **B**.
2. Kürzen Sie das Rohr gleich über der Krümmung **C** nach Bedarf.
3. Bohren Sie ein Loch mit einem Durchmesser von 8,1 mm **D** 37 mm über dem unteren Ende des Rohrs.
4. Entgraten Sie alle scharfen Kanten.
5. Bringen Sie das Drehgelenk und die Fußplatte wieder an.



Anweisungen zum Entfernen/Anbringen der Fußplatten finden Sie in Kapitel 5.5 *Austauschen der Fußplatten*, Seite 43.

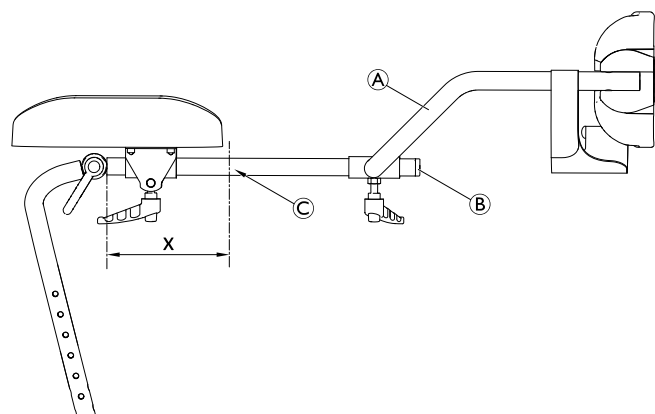


Anweisungen zum Entfernen/Anbringen des Drehgelenks finden Sie in Kapitel 5.5.2 *Abnehmen und Anbringen des Drehgelenks*, Seite 44.



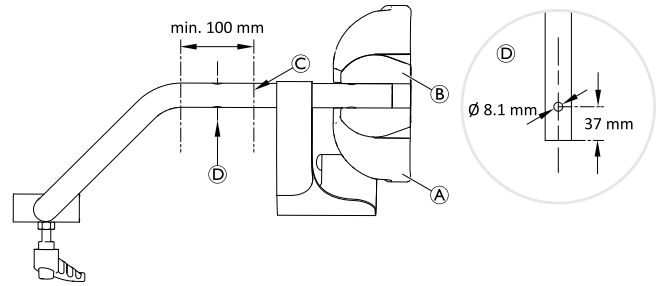
### Amputationsstütze


1. Entfernen Sie die Fußstützenbaugruppe **A**.
2. Entfernen Sie den Stopfen **B**.
3. Kürzen Sie das Rohr **C** nach Bedarf (min. verbleibende Länge von x mm).  
Wenn eine Fußstütze verwendet wird: x = 140 mm  
Wenn keine Fußstütze verwendet wird: x = 80 mm
4. Entgraten Sie alle scharfen Kanten.
5. Bringen Sie den Stopfen wieder an.
6. Bringen Sie die Fußstützenbaugruppe (bei Bedarf) wieder an.




**Amputationsstütze (Fußstütze)**

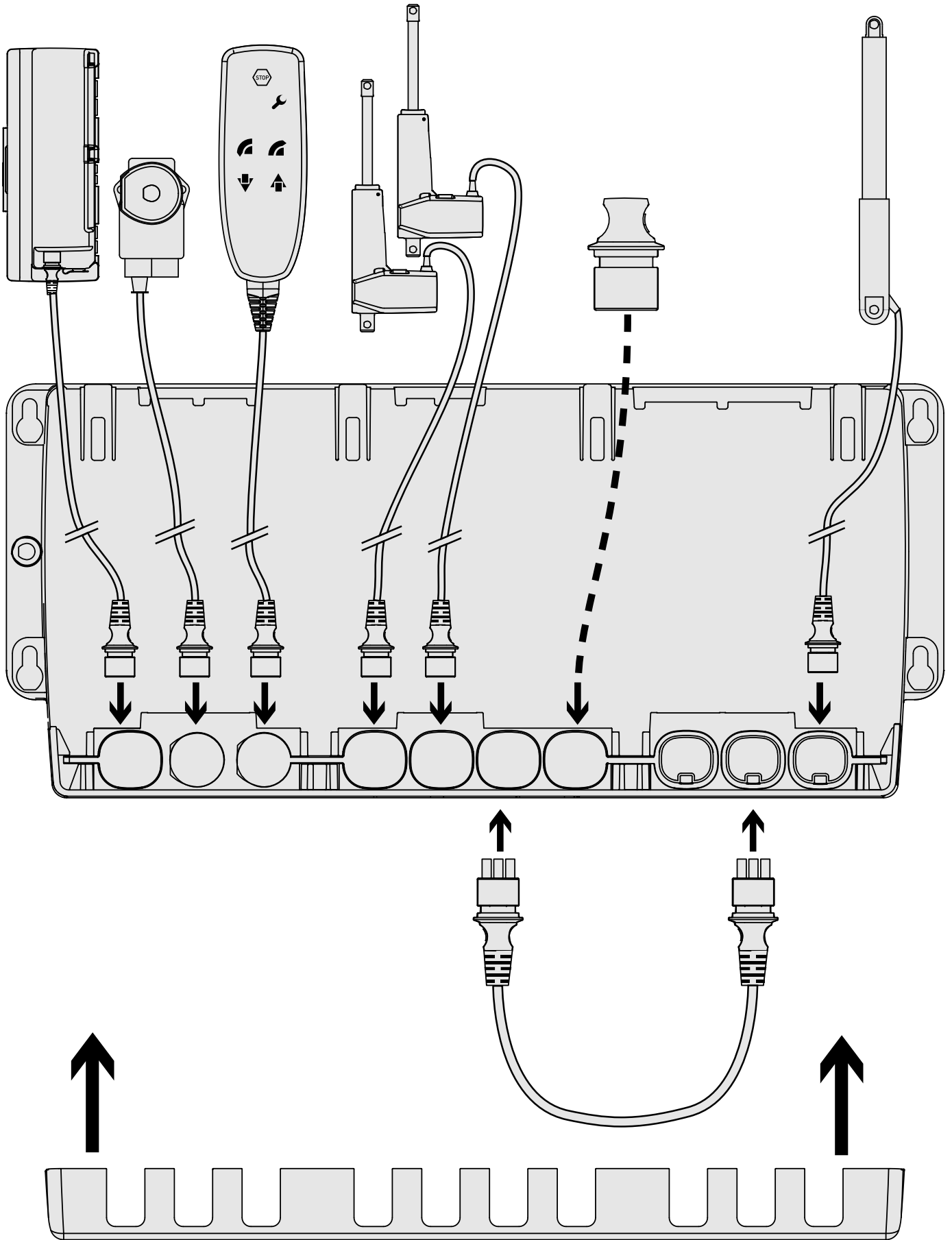
1. Entfernen Sie die Fußplatte **A** und das Drehgelenk **B**.
2. Kürzen Sie das Rohr **C** nach Bedarf (min. verbleibende Länge von 100 mm).
3. Bohren Sie ein Loch mit einem Durchmesser von 8,1 mm **D** 37 mm über dem unteren Ende des Rohrs.
4. Entgraten Sie alle scharfen Kanten.
5. Bringen Sie das Drehgelenk und die Fußplatte wieder an.



 Anweisungen zum Entfernen/Anbringen der Fußplatten finden Sie in Kapitel 5.5 *Austauschen der Fußplatten*, Seite 43.


 Anweisungen zum Entfernen/Anbringen des Drehgelenks finden Sie in Kapitel 5.5.2 *Abnehmen und Anbringen des Drehgelenks*, Seite 44.


### 5.14 Anschlussplan (Ocean E-VIP)

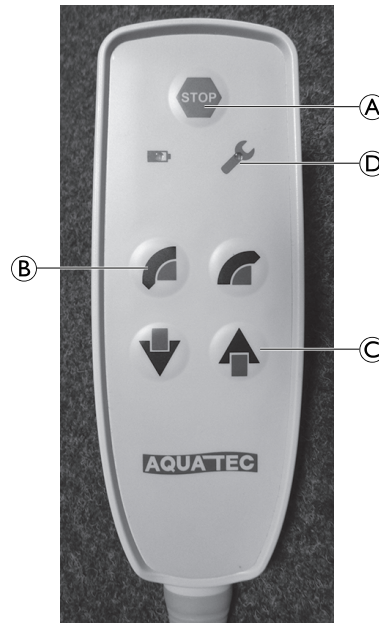


## Zurücksetzen des Systems

1. Halten Sie die folgenden drei Tasten am Handbedienteil drei Sekunden lang gleichzeitig gedrückt: Rote „STOP“-Taste **A**, Vorwärts-Taste **B** und Aufwärts-Taste **C**.  
Während diese drei Tasten gedrückt werden, ist ein Signalton zu hören.
2. Lassen Sie die Tasten los, wenn die Kontrollleuchte „SERVICE“ **D** erlischt. Die Vorrichtung ist wieder einsatzbereit.
3. Bewegen Sie den Antrieb für die Höhenverstellung in die niedrigste Position, bis Sie hören, dass er sich abschaltet.
4. Bewegen Sie den Kippantrieb in die hinterste Position, bis Sie hören, dass er sich abschaltet. (Die rote LED blinkt und ein Signalton ist zu hören.)

 Tauschen Sie die Sicherungselemente aus, wenn die Verstellmotoren ersetzt werden.

 Wenn Komponenten gewechselt werden müssen, stellen Sie sicher, dass alle Kabel so wie im Lieferzustand wieder angebracht werden.





---

# Sommaire

---

REVENDEUR : conservez ce manuel. Les procédures figurant dans ce manuel DOIVENT être exécutées par un technicien qualifié.

<b>1 Généralités</b>	<b>64</b>
1.1 Introduction	64
1.2 Symboles figurant dans ce manuel.	64
<b>2 Sécurité</b>	<b>65</b>
2.1 Informations de sécurité générales	65
2.2 Informations relatives à la sécurité des personnes	65
2.3 Vérification de la sécurité électrique	65
<b>3 Entretien</b>	<b>66</b>
3.1 Liste de vérification	66
3.2 Pièces de rechange	66
3.3 Codes des couleurs du châssis	66
<b>4 Reconditionnement</b>	<b>67</b>
4.1 Nettoyage et désinfection	67
4.2 Vue d'ensemble des matériaux	67
4.3 Plan de reconditionnement	67
<b>5 Instructions</b>	<b>72</b>
5.1 Informations générales sur les réparations	72
5.2 Remplacement de l'accoudoir (=> 01/2021)	73
5.2.1 Remplacement de la manchette d'accoudoir (=> 01/2021)	73
5.3 Remplacement de l'accoudoir (02/2021 =>)	74
5.4 Remplacement du support de repose-pied (Ocean VIP / Ocean Dual VIP / Ocean E-VIP)	75
5.5 Remplacement des palettes repose-pieds	75
5.5.1 Remplacement de la broche de montage flexible	76
5.5.2 Démontage/installation du joint pivotant	76
5.6 Remplacement des roulettes	76
5.6.1 Démontage/installation de la roulette	77
5.7 Remplacement des protections intérieures/extérieures des pièces latérales (Ocean VIP Ergo / Ocean Dual VIP Ergo)	77
5.8 Remplacement de la fixation du siège (Ocean VIP Ergo / Ocean Dual VIP Ergo)	78
5.9 Remplacement des pièces latérales (Ocean VIP Ergo / Ocean Dual VIP Ergo)	79
5.10 Remplacement du ressort pneumatique — Mécanisme de déblocage — Câble Bowden pour l'inclinaison du dossier (Ocean Dual VIP / Ocean Dual VIP Ergo)	80
5.11 Remplacement du ressort pneumatique — Mécanisme de déblocage — Câble Bowden pour l'inclinaison du siège (Ocean VIP / Ocean Dual VIP)	85
5.12 Remplacement du câble Bowden pour l'inclinaison du siège (Ocean VIP Ergo / Ocean Dual VIP Ergo)	88
5.13 Découpe de l'appui-tête / du repose-pied / du support d'amputation à la longueur nécessaire	90
5.14 Schéma de connexion (Ocean E-VIP)	92

# 1 Généralités

## 1.1 Introduction

Le présent manuel fournit des informations importantes relatives au montage, au réglage et à la maintenance approfondie du produit. Pour garantir une utilisation en toute sécurité du produit, lisez attentivement le manuel et respectez les instructions de sécurité.

Consultez le manuel d'utilisation sur le site Web d'Invacare ou contactez un représentant Invacare. Reportez-vous aux adresses indiquées à la fin du présent manuel.

Invacare se réserve le droit de modifier les caractéristiques des produits sans préavis.

Avant de lire ce manuel, assurez-vous de disposer de la version la plus récente. Cette version est disponible au format PDF sur le site Internet d'Invacare.

Consultez le manuel d'utilisation pour plus d'informations et avant tout achat.

Pour obtenir plus d'informations sur le produit, comme les avis de sécurité ou les rappels du produit, contactez votre représentant Invacare local. Reportez-vous aux adresses indiquées à la fin du présent document.

## 1.2 Symboles figurant dans ce manuel

Les symboles et mots d'avertissement utilisés dans le présent manuel s'appliquent aux risques ou aux pratiques

dangereuses qui pourraient provoquer des blessures ou des dommages matériels. Reportez-vous aux informations ci-dessous pour la définition des symboles d'avertissement.



### AVERTISSEMENT

Indique une situation dangereuse qui, si elle n'est pas évitée, est susceptible de provoquer des blessures graves, voire mortelles.



### ATTENTION

Indique une situation dangereuse qui, si elle n'est pas évitée, est susceptible de provoquer des blessures mineures ou légères.



### IMPORTANT

Indique une situation dangereuse qui, si elle n'est pas évitée, est susceptible de provoquer des dommages matériels.



### Conseils

Donne des conseils, recommandations et informations utiles pour une utilisation efficace et sans souci.



### Outils

Identifie les outils, composants et autres éléments requis pour exécuter certaines tâches.



## 2 Sécurité

### 2.1 Informations de sécurité générales



**AVERTISSEMENT !**

**Risque de blessures ou de dommage matériel**

- Les procédures décrites dans le présent manuel ne doivent être réalisées que par un technicien qualifié.
- Utilisez uniquement des accessoires et pièces de rechange d'origine.
- Ne manipulez pas ce produit ni aucun autre équipement disponible en option sans avoir lu et compris complètement ces instructions et toute autre documentation d'instructions supplémentaire, telle que les manuels d'utilisation, les manuels d'installation ou les fiches d'instructions fournis avec ce produit ou l'équipement en option.
- Après chaque montage, vérifiez que tous les raccords sont bien serrés et que toutes les pièces fonctionnent correctement.



**AVERTISSEMENT !**

**Risque de contamination**

- Nettoyez et désinfectez le produit avant de procéder à la maintenance.



**IMPORTANT !**

Il se peut que le montage des accessoires ne soit pas décrit dans le présent manuel de maintenance. Reportez-vous au manuel fourni avec l'accessoire.

- D'autres manuels sont disponibles sur demande. Reportez-vous aux adresses indiquées à la fin du présent document.



**IMPORTANT !**

Certaines pièces de rechange sont exclusivement disponibles sous forme de kit. Utilisez toujours le nouveau kit complet lors du remplacement d'une pièce.

- Des pièces de rechange peuvent être commandées chez Invacare. Reportez-vous au site Internet Invacare de votre pays pour accéder au catalogue électronique des pièces de rechange.



**IMPORTANT !**

Consultez le manuel d'utilisation de ce produit pour plus d'informations sur

- Caractéristiques techniques
- Composants du produit
- Étiquettes
- Instructions de sécurité complémentaires
- Instructions de nettoyage et désinfection



Les informations contenues dans ce document peuvent être modifiées sans préavis.

### 2.2 Informations relatives à la sécurité des personnes

Ces instructions de sécurité sont destinées à aider à éviter des accidents pendant le travail et doivent être observées en toutes circonstances.

Tous les employés entrant en contact avec des produits contaminés doivent régulièrement consulter le médecin de la société. Des vêtements de travail et un équipement de protection individuelle doivent être mis à disposition en quantité nécessaire dans un bon état. Une désinfection fiable de la surface et des mains doit être assurée.



**AVERTISSEMENT !**

**Risque de contamination**

- Nettoyez et désinfectez le produit avant d'effectuer des réparations.

### 2.3 Vérification de la sécurité électrique



**IMPORTANT !**

Des contrôles électriques réguliers conformes à la norme EN 62353 (VDE0751) doivent être effectués en tenant compte des conditions nationales.

1. Inspectez tous les composants électroniques pour vous assurer de l'absence de détérioration du carter ou du câble, testez les fonctions et vérifiez l'absence de courant vagabond.

## 3 Entretien

### 3.1 Liste de vérification

<b>Inspection générale</b>	☺	☹
Le produit est-il en bon état et est-il complet (produit et accessoires) ?	<input type="checkbox"/>	<input type="checkbox"/>
Le produit présente-t-il des détériorations ou des faiblesses de n'importe quel type ?	<input type="checkbox"/>	<input type="checkbox"/>
Le produit fonctionne-t-il correctement sous charge nominale ?	<input type="checkbox"/>	<input type="checkbox"/>
Le produit est-il complètement fonctionnel conformément au manuel d'utilisation ?	<input type="checkbox"/>	<input type="checkbox"/>
<b>Éradication des défauts</b>	☺	☹
Tous les défauts trouvés ont-ils été éliminés et tous les composants défectueux ont-ils été remplacés ?	<input type="checkbox"/>	<input type="checkbox"/>
Tous les boulons/vis sont-ils fixés correctement et le produit est-il monté correctement ?	<input type="checkbox"/>	<input type="checkbox"/>
<b>Fin des contrôles</b>	☺	☹
Le produit est-il techniquement et fonctionnellement sûr ?	<input type="checkbox"/>	<input type="checkbox"/>
Le produit a-t-il été nettoyé et désinfecté ?	<input type="checkbox"/>	<input type="checkbox"/>

L'autocollant d'identification est-il facilement lisible et est-il fermement apposé sur le produit ?	<input type="checkbox"/>	<input type="checkbox"/>
Le produit est-il accompagné de la dernière version du manuel d'utilisation ?	<input type="checkbox"/>	<input type="checkbox"/>

### 3.2 Pièces de rechange



#### AVERTISSEMENT !

Utilisez des pièces de rechange d'origine pour toutes les réparations. Dans le cas contraire, la garantie et la déclaration de conformité du produit seront invalidées.

Toutes les pièces de rechange doivent être obtenues auprès du Service clients de Invacare. Un catalogue de pièces de rechange au format électronique est disponible sur le site [www.invacare.fr](http://www.invacare.fr).

### 3.3 Codes des couleurs du châssis

Élément	Code des couleurs (RAM)
Tubes du châssis	Blanc, RAL 9003
Tubes de base (Ocean E-VIP)	Gris RAL7042 / sans revêtement
Tubes de repose-pied / Tubes d'appui-tête	sans revêtement
Support d'accoudoir	Bleu, RAL 5002

## 4 Reconditionnement

### 4.1 Nettoyage et désinfection

Ce produit peut être nettoyé et désinfecté au moyen de produits disponibles dans le commerce.

1. Retirez les éventuels accessoires montés (uniquement les accessoires qui ne nécessitent pas d'outils).
2. Retirez les repose-pieds des guides.
3. Retirez la plaque d'assise et la toile de dossier.
4. Pour Ocean VIP Ergo/Ocean Dual VIP Ergo : démontez les carénages de freins et les protections de serrage.
5. Essuyez les différentes pièces à l'aide d'un chiffon ou d'une brosse et avec des agents de nettoyage et désinfectants disponibles dans le commerce.
6. Rincez ensuite à l'eau chaude.
7. Essuyez les pièces avec un chiffon sec.
8. Réassemblez le produit.



#### IMPORTANT !

Tous les désinfectants et agents de nettoyage utilisés doivent être efficaces, compatibles entre eux et protéger les surfaces qu'ils sont censés nettoyer. Pour de plus amples informations sur la décontamination en environnement médical, veuillez vous reporter aux recommandations en vigueur en matière de prévention et de lutte contre les infections et à la politique de prévention et de lutte contre les infections de votre établissement.

- Nettoyez le produit à la main, en machine ou dans un autoclave.
- Procédez au nettoyage sans produit abrasif.

#### Nettoyage dans un environnement clinique



En plus du nettoyage décrit ci-dessus, nous recommandons de nettoyer le produit après la sortie de chaque patient, à la fin d'une période d'utilisation ou de façon régulière (au premier des deux termes atteint) à

- 90 °C pendant 1 minute
- 85 °C pendant 3 minutes
- 80 °C pendant 10 minutes

en machine ou dans un autoclave.



#### ATTENTION !

##### Risque de brûlure de la peau

- Après le nettoyage, laissez le produit refroidir dans l'autoclave.

#### Nettoyage de la toile du dossier

1. Retirez la toile de dossier.
2. Lavez la toile en machine à une température maximale de 60 °C et avec un détergent doux.

### 4.3 Plan de reconditionnement

Les éléments suivants doivent être examinés et vérifiés lorsqu'un reconditionnement est nécessaire :

#### Généralités

	À vérifier	Correction à apporter	OK
1	Montage correct de toutes les pièces et serrage correct des vis, y compris des roues	Serrer les vis, avec adhésif frein-filet le cas échéant. Voir les schémas pour connaître les couples.	<input type="checkbox"/>



#### IMPORTANT !

##### Risque de dommage matériel

- Le lavage à des températures supérieures peut provoquer des dommages.
- Ne passez pas les toiles au sèche-linge.



#### IMPORTANT !

Un nettoyage excessif peut endommager le textile.

- Nous recommandons de remplacer la toile de dossier tous les deux ans par mesure d'hygiène.

#### Nettoyage du seau (facultatif)

Vous pouvez nettoyer le seau dans un autoclave en respectant les températures et durées suivantes :

- 90 °C pendant 1 minute
- 85 °C pendant 3 minutes
- 80 °C pendant 10 minutes.

#### Désinfection

1. Désinfectez le produit en essuyant toutes les surfaces généralement accessibles avec un désinfectant (le cas échéant, après son démontage).

### 4.2 Vue d'ensemble des matériaux

Pour les matériaux composant les produits, voir le manuel d'utilisation correspondant.

Pour les matériaux composant les accessoires, voir le tableau suivant :

Accessoire	Matériau(x)
Softseat spécial / Softseat variable / Sièges moelleux	PUR
Anti-éclaboussures gamme Ocean	PUR
Anti-éclaboussures gamme Ocean Ergo	PP
Dossier confort	Vinyle / doublure PVC
Dossier	PE-HD
Coussins d'appui-tête / cale-tronc	PUR
Repose-mollet et repose-jambe pour amputé / Repose mollet avec repose-pied	PUR (repose-jambe) / PP (repose-pied)
Rails supports de seau	Acier inoxydable
Seau avec couvercle	PP

**Châssis (toutes les parties du châssis, les tubes, y compris le dossier)**

	À vérifier	Correction à apporter	OK
1	Détérioration mécanique des parties du châssis (fissures, cassures)	Jeter le châssis et le remplacer par un châssis neuf ; voir 5.9 Remplacement des pièces latérales (Ocean VIP Ergo / Ocean Dual VIP Ergo), page 79 du manuel d'utilisation correspondant.  Sinon, jeter le produit.	<input type="checkbox"/>
2	Détérioration mécanique du dispositif anti-bascule (Ocean Dual VIP / Ocean Dual VIP Ergo)	Remplacer le dispositif anti-bascule ; voir le manuel d'utilisation.	<input type="checkbox"/>

**Pièces latérales**

	À vérifier	Correction à apporter	OK
1	Détérioration mécanique	Jeter les pièces latérales et les remplacer par des neuves ; voir 5.9 Remplacement des pièces latérales (Ocean VIP Ergo / Ocean Dual VIP Ergo), page 79 du manuel d'utilisation correspondant.	<input type="checkbox"/>

**Siège**

	À vérifier	Correction à apporter	OK
1	Détérioration du siège (fissures, bords tranchants)	Remplacer le siège ; voir le manuel d'utilisation.	<input type="checkbox"/>
2	Assise flottante, moins stable		<input type="checkbox"/>
3	Mécanismes d'enclenchement endommagés sous le siège		<input type="checkbox"/>

**Toile de dossier**

	À vérifier	Correction à apporter	OK
1	Détérioration de la toile de dossier (déchirures, coutures ouvertes, boucles endommagées)	Remplacer la toile de dossier ; voir le manuel d'utilisation.	<input type="checkbox"/>

**Repose-pied**

	À vérifier	Correction à apporter	OK
1	Détérioration de la palette repose-pieds (fissures, bords tranchants)	Remplacer les palettes repose-pieds, 5.5 Remplacement des palettes repose-pieds, page 75	<input type="checkbox"/>
2	Détérioration de la fixation du repose-pieds sur le châssis (Ocean VIP/Ocean E-VIP)	Remplacer la fixation du repose-pieds, 5.4 Remplacement du support de repose-pied (Ocean VIP / Ocean Dual VIP / Ocean E-VIP), page 75	<input type="checkbox"/>
3	Détérioration des tubes	Remplacer intégralement le repose-pied par un nouveau repose-pied ; voir le manuel d'utilisation.	<input type="checkbox"/>
4	Détérioration des clips de fixation	Remplacer les clips de fixation du repose-pied par des clips neufs.	<input type="checkbox"/>

**Accoudoir**

	À vérifier	Correction à apporter	OK
1	Détérioration des tubes d'accoudoir ou des supports d'accoudoir (fissures, bords tranchants)	Remplacer l'accoudoir par un neuf, 5.2 Remplacement de l'accoudoir (=> 01/2021), page 73	<input type="checkbox"/>
2	Détérioration des manchettes d'accoudoir (déchirures, bords tranchants)	Remplacer le coussinet d'accoudoir, 5.2.1 Remplacement de la manchette d'accoudoir (=> 01/2021), page 73	<input type="checkbox"/>

## Roulettes

	À vérifier	Correction à apporter	OK
1	Tourillons pivotants fonctionnant mal ou endommagés	Remplacer intégralement la roulette par une roulette neuve, 5.6 Remplacement des roulettes, page 76	<input type="checkbox"/>
2	Roue pivotant fonctionnant mal (roulements)		<input type="checkbox"/>
3	Surface de roulement des roues pivotant endommagée		<input type="checkbox"/>
4	Fourche de roue avant endommagée		<input type="checkbox"/>
5	Boulons de raccordement correctement serrés sur le châssis	Remplacer les boulons de raccordement et l'adhésif frein-filet.	<input type="checkbox"/>

## Roues 24" (Ocean / Ocean Ergo)

	À vérifier	Correction à apporter	OK
1	Détérioration des roues 24"	Remplacer les roues 24" ; voir les instructions de montage.	<input type="checkbox"/>
2	Fonctionnement correct du frein (il doit bloquer la roue)	Régler ou remplacer les freins ; voir les instructions de montage.	<input type="checkbox"/>
3	Montage correct des roues 24", les goupilles de verrouillage dépassent de l'extrémité du moyeu pour être complètement libérées	Régler le moyeu ou remplacer le moyeu ou l'essieu ; voir les instructions de montage.	<input type="checkbox"/>

## Appui-tête (Ocean VIP / Ocean Dual VIP / Ocean E-VIP / Ocean VIP Ergo / Ocean Dual VIP Ergo)

	À vérifier	Correction à apporter	OK
1	Détérioration des pièces de l'appui-tête (fissures, bords tranchants)	Remplacer l'appui-tête ; voir les instructions de montage.	<input type="checkbox"/>
2	Détérioration du coussin de l'appui-tête	Remplacer le coussin de l'appui-tête ; voir les instructions de montage.	<input type="checkbox"/>

## Mécanisme d'inclinaison de l'assise (Ocean VIP / Ocean Dual VIP / Ocean VIP Ergo / Ocean Dual VIP Ergo)

	À vérifier	Correction à apporter	OK
1	Détérioration du système de câble Bowden ou des coques du câble	Remplacer le système de câble Bowden, 5.12 Remplacement du câble Bowden pour l'inclinaison du siège (Ocean VIP Ergo / Ocean Dual VIP Ergo), page 88 / 5.11 Remplacement du ressort pneumatique — Mécanisme de déblocage — Câble Bowden pour l'inclinaison du siège (Ocean VIP / Ocean Dual VIP), page 85	<input type="checkbox"/>
2	Détérioration de la poignée d'activation	Remplacer la poignée d'activation ; voir le manuel d'utilisation.	<input type="checkbox"/>
3	Fonctionnement de l'inclinaison et fixation de la position, inclinaison facile ; le verrouillage doit obligatoirement être sécurisé.	Régler le câble Bowden, 5.12 Remplacement du câble Bowden pour l'inclinaison du siège (Ocean VIP Ergo / Ocean Dual VIP Ergo), page 88 / 5.11 Remplacement du ressort pneumatique — Mécanisme de déblocage — Câble Bowden pour l'inclinaison du siège (Ocean VIP / Ocean Dual VIP), page 85.  Uniquement pour Ocean VIP Ergo/Ocean Dual VIP Ergo :  Si la fonction d'inclinaison à un angle inférieur à 0° n'est pas possible, retirez les butoirs d'inclinaison (accessoire en option), si nécessaire. Reportez-vous aux instructions de montage de l'accessoire.	<input type="checkbox"/>

	À vérifier	Correction à apporter	OK
4	détérioration du ressort pneumatique	Remplacer le ressort pneumatique, 5.12 <i>Remplacement du câble Bowden pour l'inclinaison du siège (Ocean VIP Ergo / Ocean Dual VIP Ergo), page 88 / 5.11 Remplacement du ressort pneumatique — Mécanisme de déblocage — Câble Bowden pour l'inclinaison du siège (Ocean VIP / Ocean Dual VIP), page 85.</i>	<input type="checkbox"/>
5	détérioration du mécanisme de déblocage	Remplacer le mécanisme de déblocage, 5.12 <i>Remplacement du câble Bowden pour l'inclinaison du siège (Ocean VIP Ergo / Ocean Dual VIP Ergo), page 88 / 5.11 Remplacement du ressort pneumatique — Mécanisme de déblocage — Câble Bowden pour l'inclinaison du siège (Ocean VIP / Ocean Dual VIP), page 85.</i>	<input type="checkbox"/>

#### Mécanisme d'inclinaison du dossier (Ocean Dual VIP / Ocean Dual VIP Ergo)

	À vérifier	Correction à apporter	OK
1	Détérioration du système de câble Bowden ou des coques du câble	Remplacer le système de câble Bowden, 5.10 <i>Remplacement du ressort pneumatique — Mécanisme de déblocage — Câble Bowden pour l'inclinaison du dossier (Ocean Dual VIP / Ocean Dual VIP Ergo), page 80.</i>	<input type="checkbox"/>
2	Détérioration de la poignée d'activation	Remplacer la poignée d'activation ; voir le manuel d'utilisation.	<input type="checkbox"/>
3	Fonctionnement de l'inclinaison et fixation de la position, inclinaison facile ; le verrouillage doit obligatoirement être sécurisé.	Régler le câble Bowden, 5.10 <i>Remplacement du ressort pneumatique — Mécanisme de déblocage — Câble Bowden pour l'inclinaison du dossier (Ocean Dual VIP / Ocean Dual VIP Ergo), page 80.</i>	<input type="checkbox"/>
4	Détérioration du ressort pneumatique	Remplacer le ressort pneumatique, 5.10 <i>Remplacement du ressort pneumatique — Mécanisme de déblocage — Câble Bowden pour l'inclinaison du dossier (Ocean Dual VIP / Ocean Dual VIP Ergo), page 80.</i>	<input type="checkbox"/>
5	détérioration du mécanisme de déblocage	Remplacer le mécanisme de déblocage, 5.10 <i>Remplacement du ressort pneumatique — Mécanisme de déblocage — Câble Bowden pour l'inclinaison du dossier (Ocean Dual VIP / Ocean Dual VIP Ergo), page 80.</i>	<input type="checkbox"/>

#### Plaques de protection (Ocean VIP Ergo / Ocean Dual VIP Ergo)

	À vérifier	Correction à apporter	OK
1	Détérioration des plaques de protection des freins, des protections du serrage et de la protection du mécanisme d'inclinaison	Remplacer les protections du serrage qui sont endommagées par des protections neuves ; voir le manuel d'utilisation.  Remplacer la protection du mécanisme d'inclinaison, 5.7 <i>Remplacement des protections intérieures/extérieures des pièces latérales (Ocean VIP Ergo / Ocean Dual VIP Ergo), page 77.</i>	<input type="checkbox"/>

#### Réglage électrique de la hauteur/de l'inclinaison (Ocean E-VIP)

	À vérifier	Correction à apporter	OK
1	Détérioration de tous les câbles	Remplacez les composants endommagés par des composants neufs.	<input type="checkbox"/>
2	Détérioration de la télécommande	Remplacer la télécommande par une télécommande neuve.	<input type="checkbox"/>

	<b>À vérifier</b>	<b>Correction à apporter</b>	<b>OK</b>
3	Détérioration du capot du système électronique	Remplacer le capot du système électronique par un capot neuf ; voir le manuel d'utilisation.	<input type="checkbox"/>
4	Fonctionnement correct du réglage de la hauteur/du réglage de l'inclinaison et du déverrouillage d'urgence.	Voir le manuel d'utilisation (chapitre Dépannage).	<input type="checkbox"/>

**Accessoires**

	<b>À vérifier</b>	<b>Correction à apporter</b>	<b>OK</b>
1	Détérioration des accessoires	Remplacer le composant défectueux ou l'accessoire intégral	<input type="checkbox"/>

## 5 Instructions

### 5.1 Informations générales sur les réparations

Les réparations nécessitent un niveau élevé de savoir-faire. Ces instructions de montage répartissent les différentes tâches en 3 catégories :

Difficulté	Symbole
Simple – Compréhension technique nécessaire	■□□
Intermédiaire – Compétences techniques requises	■□□
Difficile – Compétences techniques et expérience requises pour le montage	■□□

Les outils nécessaires et leurs tailles sont répertoriés en regard des instructions.



#### IMPORTANT !

- Si possible, continuez à utiliser l'ancien autocollant d'identification ; si ce n'est pas possible, le nouvel autocollant d'identification doit contenir les mêmes informations ainsi que l'ancien numéro de série. (Remplacement des pièces de rechange avec numéros de série).
- Lorsque les composants sont remplacés, il est nécessaire de garantir la traçabilité des composants remplacés.
- Si des vis avec adhésif frein-filet sont desserrées, elles doivent être remplacées par des nouvelles vis avec adhésif frein-filet. Sinon, un nouvel adhésif frein-filet doit être appliqué (par ex. Loctite 2701).
- Si des vis avec des anneaux circlip sont desserrées, elles doivent être remplacées par de nouvelles vis.
- Les pièces qui ont été endommagées pendant le démontage doivent être remplacées par de nouvelles pièces.



## 5.2 Remplacement de l'accoudoir (=> 01/2021)

Pour les modèles plus anciens antérieurs à janvier 2021



Clé Allen (4 mm)

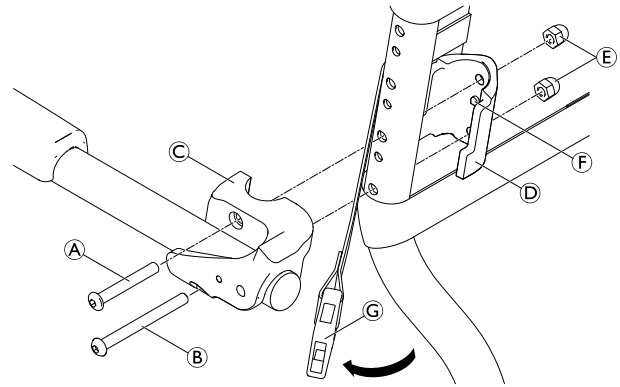


1. Dévissez les vis **A** et **B** du support d'accoudoir **C** à l'aide de la clé Allen fournie.
2. Retirez la fixation **D** et les écrous **E** de l'intérieur du cadre du dossier.
3. Retirez le support d'accoudoir **C** avec l'accoudoir.



Le trou plus petit sert à maintenir la fixation.

4. Insérez les vis dans le support d'accoudoir neuf et guidez-les dans les orifices du cadre du dossier.
5. Si nécessaire, remettez les écrous dans la fixation.
6. Placez la fixation sur le cadre du dossier de façon à ce que l'attache **F** de la fixation s'enclenche dans le petit trou.
7. Vissez les vis dans les écrous et serrez-les.
8. La procédure de remplacement est identique pour l'accoudoir droit et gauche.



**A / B = 8 Nm**

### 5.2.1 Remplacement de la manchette d'accoudoir (=> 01/2021)

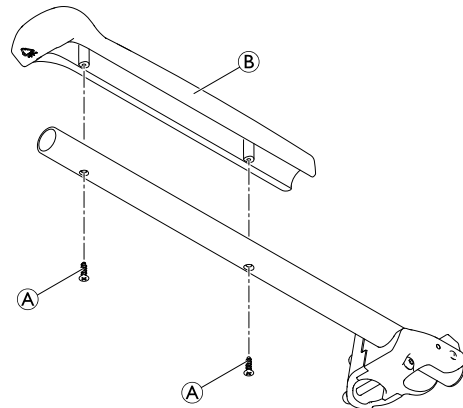
Pour les modèles plus anciens antérieurs à janvier 2021



Tournevis Phillips



1. Retirez les vis **A**.
2. Remplacez la manchette d'accoudoir **B**.
3. Ré-insérez les vis et serrez.



**A = serrage à la main.**

## 5.3 Remplacement de l'accoudoir (02/2021 =>)

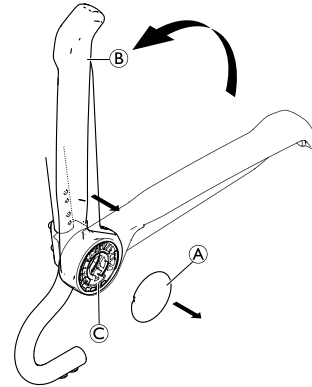
Pour les nouveaux modèles à partir de février 2021



Clé Allen (4 mm)



1. Faites passer cette sangle à l'intérieur du châssis du dossier et refermez la boucle.
2. Retirez le chapeau de valve **A**.
3. Repliez l'accoudoir **B** pour le retirer du support d'accoudoir **C**.



4. Retirez les vis **D** du support d'accoudoir **C** à l'aide de la clé Allen fournie.
5. Retirez le dispositif de fixation **E** et les écrous **F** de l'intérieur du cadre du dossier.



Les écrous sont insérés sans être serrés dans le dispositif de fixation et risquent de tomber.

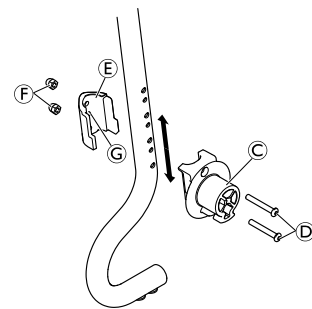
6. Pour réinstaller le support d'accoudoir et fixer le dispositif de fixation dans la position souhaitée, insérez les vis **D** dans le support d'accoudoir et guidez-les dans les trous souhaités du cadre du dossier.



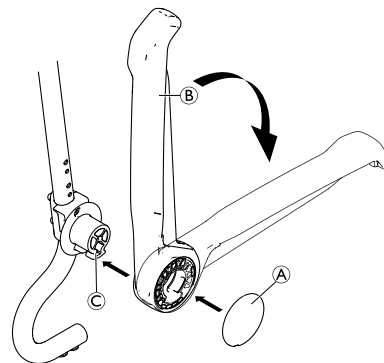
Les trous les plus petits à l'intérieur du cadre du dossier permettent de fixer le dispositif de fixation.

7. Placez le dispositif de fixation de manière à ce que la fixation **G** du dispositif de fixation s'enclenche dans un trou plus petit.
8. Serrez les vis **D**.

9. Réinstallez l'accoudoir **B** sur le support **C**.
10. Repliez l'accoudoir.
11. Réinstallez le cache **A**.
12. La procédure de remplacement est identique pour l'accoudoir droit et gauche.



**D** = 8 Nm



## 5.4 Remplacement du support de repose-pied (Ocean VIP / Ocean Dual VIP / Ocean E-VIP)



Clé Allen (4 mm)



1. Retirez le boulon ④ et la rondelle entretoise ⑤.
2. Retirez le support de repose-pied ① du tube du châssis ③.



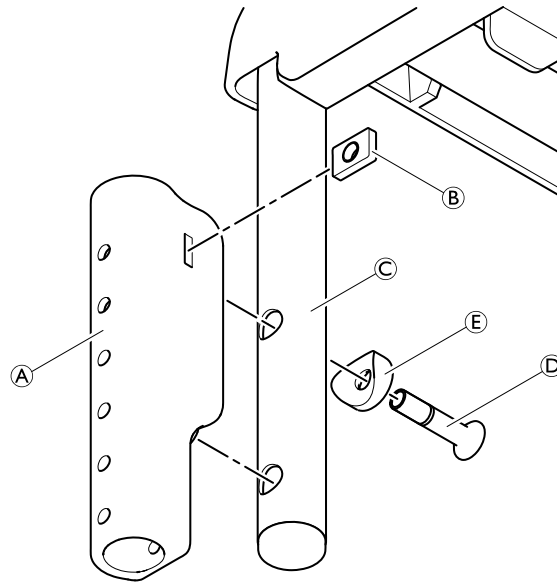
Pour installer le support de repose-pieds, inversez les étapes 2 à 1.



Lors de la réinstallation, assurez-vous de positionner les deux protubérances situées à l'arrière du support de repose-pied en regard des trous du tube du châssis.



Assurez-vous d'insérer la plaque fileté ② dans la fente située sur le support de repose-pied.



④ = 7 Nm

## 5.5 Remplacement des palettes repose-pieds



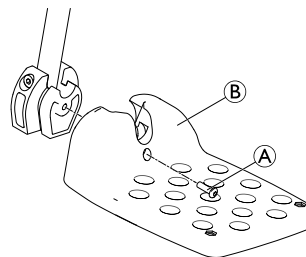
Clé Allen (4 mm)



1. Retirer la sangle talonnière du tube du repose-pied.
2. Retirer le boulon ①.
3. Retirer la palette repose-pieds ②.

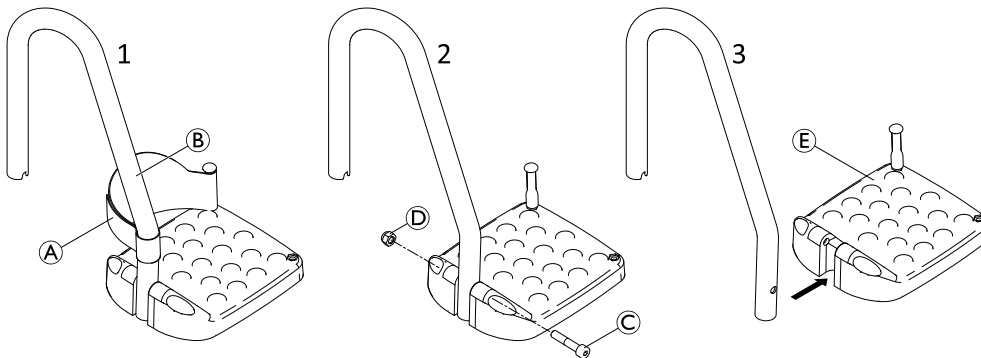


Pour installer la palette repose-pieds, inversez les étapes 3 à 1.



① = 2 – 3 Nm

### Ocean E-VIP :



1. Retirez la sangle talonnière ① du tube du repose-pied ②.
2. Retirez le boulon ③ et l'écrou ④.
3. Retirer la palette repose-pieds ⑤.



Pour installer la palette repose-pieds, inversez les étapes 3 à 1.

③ = 4 – 5 Nm

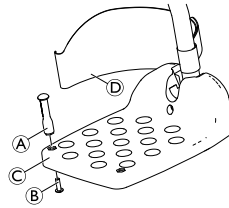
### 5.5.1 Remplacement de la broche de montage flexible



Tournevis Phillips



1. Retirez la broche de montage flexible (A) en dévissant la vis (B) située sous la palette repose-pieds (C).
2. Retirez la sangle talonnière (D).



Pour installer la broche de montage flexible, reprenez les étapes 2 – 1 dans l'ordre inverse.

(B) = 4 Nm

### 5.5.2 Démontage/installation du joint pivotant

Si les tubes des repose-jambes doivent être coupés à la longueur nécessaire, les joints pivotants doivent être retirés.



Clé Allen (6 mm)

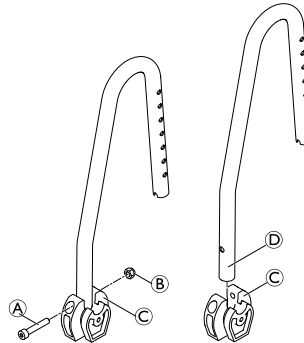


1. Retirez le boulon (A) et l'écrou (B).
2. Retirez le joint pivotant (C) du tube du repose-jambe (D).



Pour installer le joint pivotant, inversez les étapes 2 – 1.

(A) = 4 – 5 Nm



### 5.6 Remplacement des roulettes



Clé Allen (10 mm) / Adhésif frein-filet (par ex. Loctite 2701)

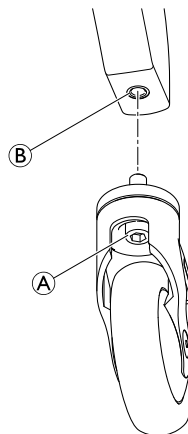


1. Retirez la roulette de la pièce latérale en dévissant le boulon (A) de trou fileté (B).



Pour installer la roulette, reprenez l'étape 1 dans l'ordre inverse.

(A) = 35 Nm, appliquer l'adhésif frein-filet, par ex. Loctite 2701



### 5.6.1 Démontage/installation de la roulette

Il est possible de démonter la roulette en vue de son nettoyage.

**Ocean Ergo / Ocean VIP Ergo / Ocean Dual VIP Ergo**



Tournevis Torx (T30)

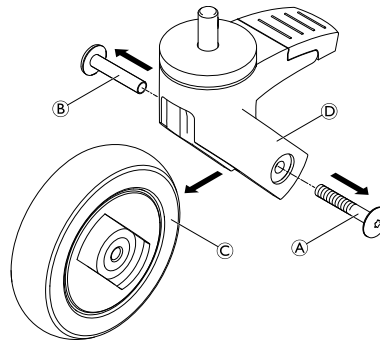


1. Dévissez la vis **A** située sur le manchon fileté **B** et retirez-les du montant de la roulette **D**.
2. Retirez la roulette **C**.



Pour réinstaller la roulette, inversez les étapes 2 – 1.

**A** = 4 – 6 Nm



**Ocean / Ocean VIP / Ocean Dual VIP / Ocean E-VIP**



Clé Allen (5 mm)

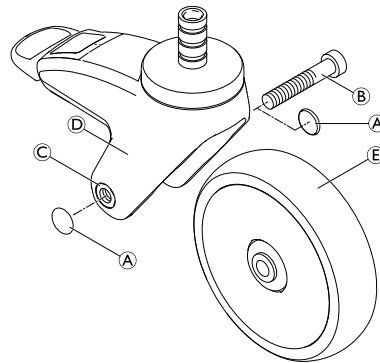


1. Retirez les caches en plastique **A**.
2. Dévissez le boulon **B** de l'écrou **C** et retirez-les du montant de la roulette **D**.
3. Retirez la roulette **E**.



Pour réinstaller la roulette, inversez les étapes 3 – 1.

**B** = 3 Nm



## 5.7 Remplacement des protections intérieures/extérieures des pièces latérales (Ocean VIP Ergo / Ocean Dual VIP Ergo)



Tournevis plat

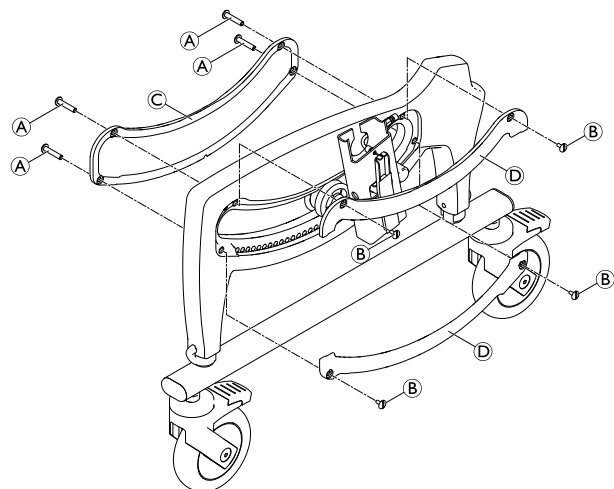


1. Retirez le carénage de frein situé sur l'armature du siège ; reportez-vous au manuel d'utilisation.
2. Retirez les vis-écrous de reliure **A** et les vis de reliure **B**.
3. Retirez la protection extérieure de la pièce latérale **C**.
4. Retirez les protections intérieures de la pièce latérale **D**.



Pour installer les protections intérieures/extérieures des pièces latérales, inversez les étapes 4 – 1.

**B** = serrage à la main




## 5.8 Remplacement de la fixation du siège (Ocean VIP Ergo / Ocean Dual VIP Ergo)



Tournevis plat / Clé Allen (4 mm)



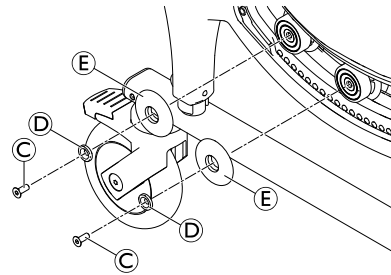
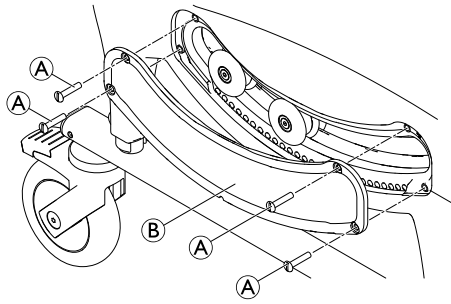
1. Retirez le carénage de frein situé sur l'armature du siège ; reportez-vous au manuel d'utilisation.
2. Retirez les vis-écrous de reliure (A) et les vis de reliure.
3. Retirez la protection extérieure de la pièce latérale (B).
4. Retirez les protections intérieures de la pièce latérale.
5. Retirez les boulons (C), les rondelles (D) et les roues à bride (E).
6. Mettez en place des roues à bride, des rondelles et des boulons neufs et serrez.

 Vérifiez que la protection externe de la pièce latérale (B) n'est pas endommagée et remplacez-la si nécessaire.

7. Remontez la protection externe de la pièce latérale à l'aide de la vis-écrou de reliure (A).
8. Répétez les mêmes étapes de l'autre côté.

(A) = serrage à la main

(C) = 6 Nm




## 5.9 Remplacement des pièces latérales (Ocean VIP Ergo / Ocean Dual VIP Ergo)




Tournevis plat / Clé Allen (4 mm)



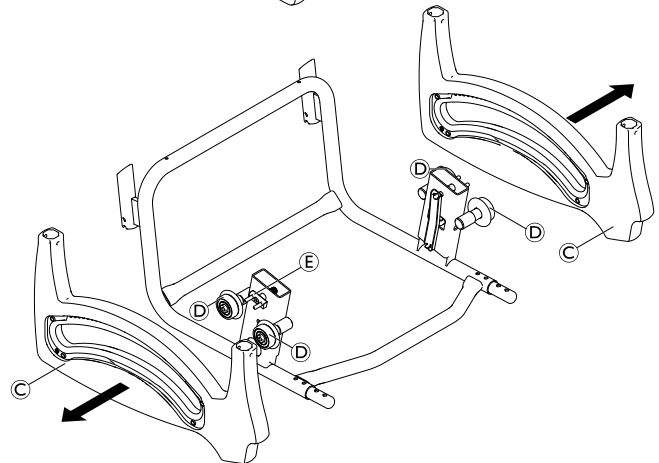
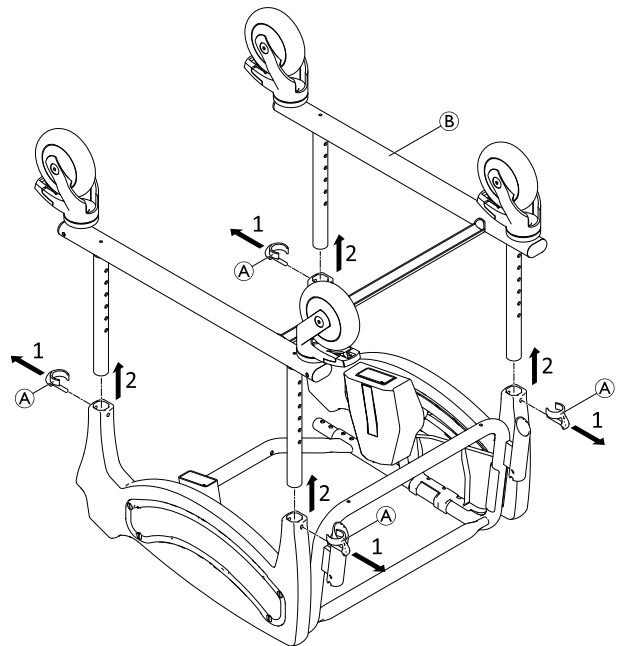
 Pour faciliter l'opération, retirez le dossier du châssis de l'assise ; voir le manuel d'utilisation.

1. Retirez la plaque d'assise ; voir le manuel d'utilisation.
2. Retournez le châssis de l'assise et les pièces latérales sur une surface stable.
3. Retirez les clips **A** et tirez complètement le châssis inférieur **B** hors des pièces latérales.
4. Retirez les carénages de frein situés sur l'armature du siège ; reportez-vous au manuel d'utilisation.
5. Retirez les protections internes et externes des pièces latérales et les fixations du siège des deux côtés ; voir les chapitres 5.7 *Remplacement des protections intérieures/extérieures des pièces latérales (Ocean VIP Ergo / Ocean Dual VIP Ergo)*, page 77 et 5.8 *Remplacement de la fixation du siège (Ocean VIP Ergo / Ocean Dual VIP Ergo)*, page 78.
6. Retirez les pièces latérales **C** en les tirant hors des roulements **D**.

 Pour installer les pièces latérales, inversez les étapes 6 – 1.

### IMPORTANT !

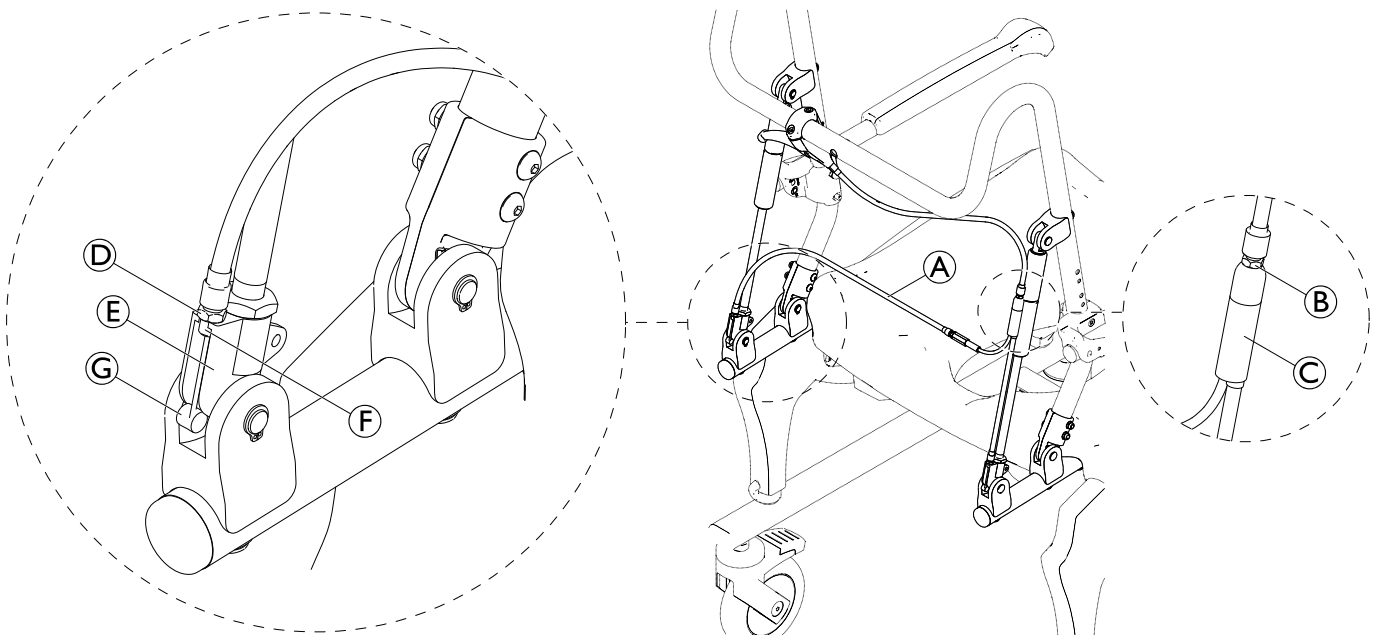
- Vérifiez que les tiges de frein **E** sont insérées dans la même position à gauche et à droite.



## 5.10 Remplacement du ressort pneumatique — Mécanisme de déblocage — Câble Bowden pour l'inclinaison du dossier (Ocean Dual VIP / Ocean Dual VIP Ergo)



Clé (6, 8) / clé Allen (4 mm) / pinces pour anneaux élastiques



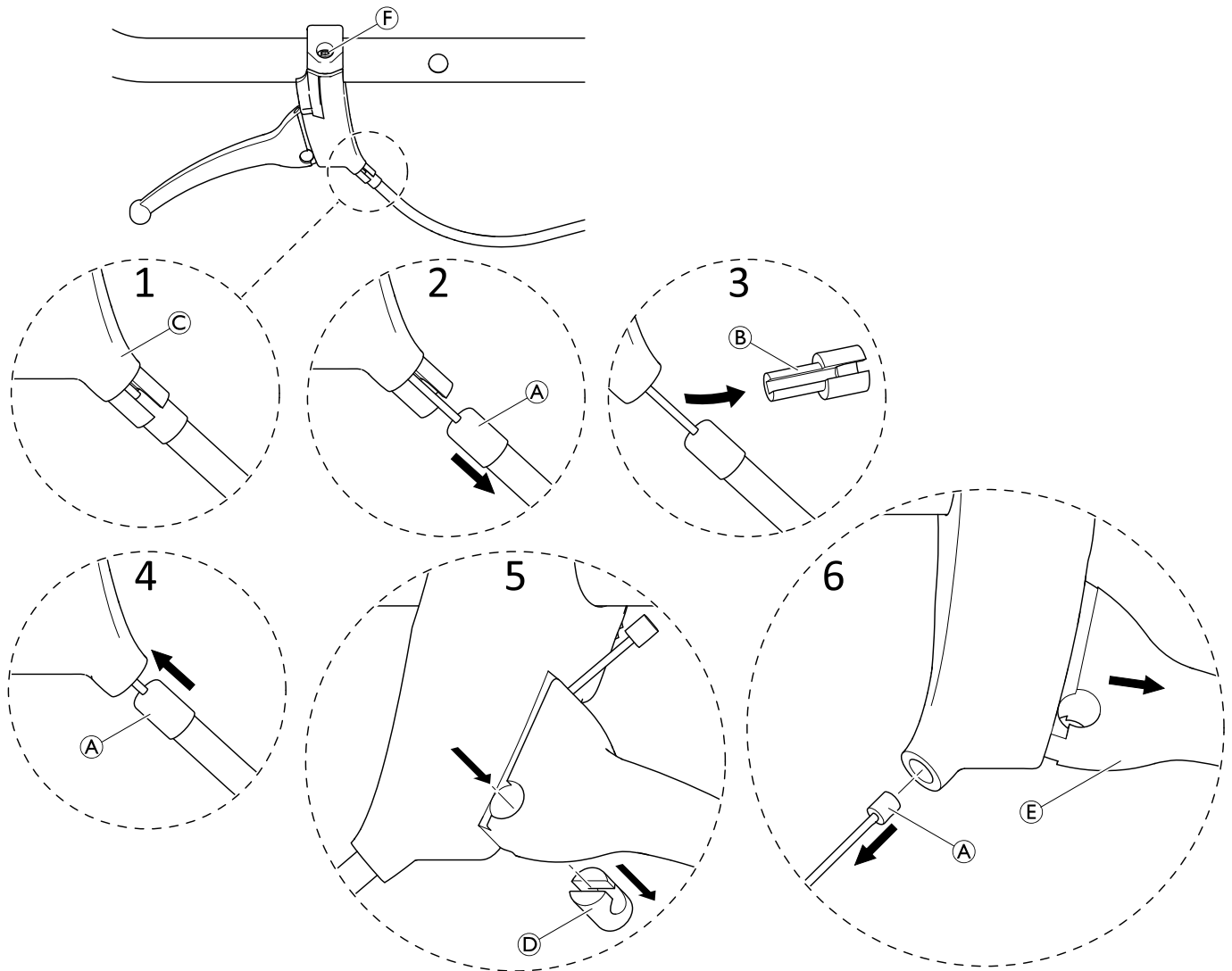
1. Desserrez complètement l'écrou ② sur le distributeur ③ et faites-le tourner jusqu'en haut. Faites tourner la partie supérieure dans le distributeur.
2. Desserrez l'écrou ④ sur le mécanisme de déblocage ⑤ et faites-le tourner jusqu'en haut. Dévissez la pièce filetée ⑥ du mécanisme de déblocage.




Tirez le câble Bowden ① légèrement vers le haut pour faciliter l'opération.

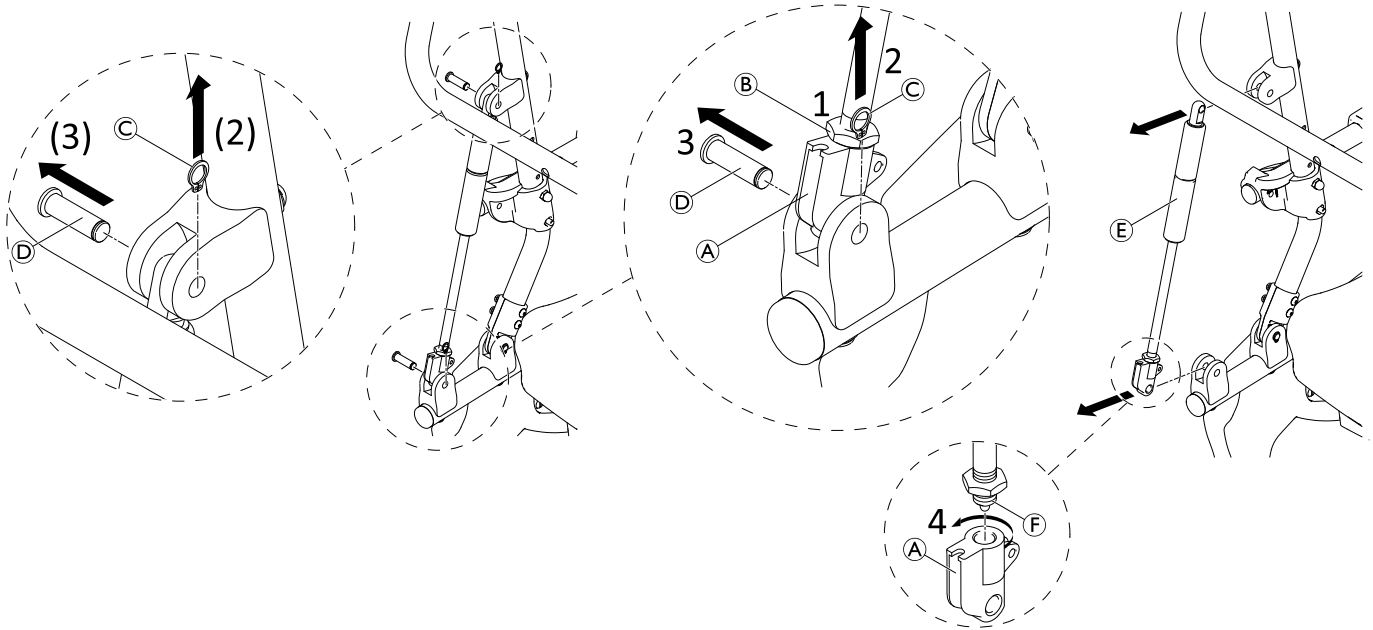
3. Débranchez la tête du câble Bowden ⑦.




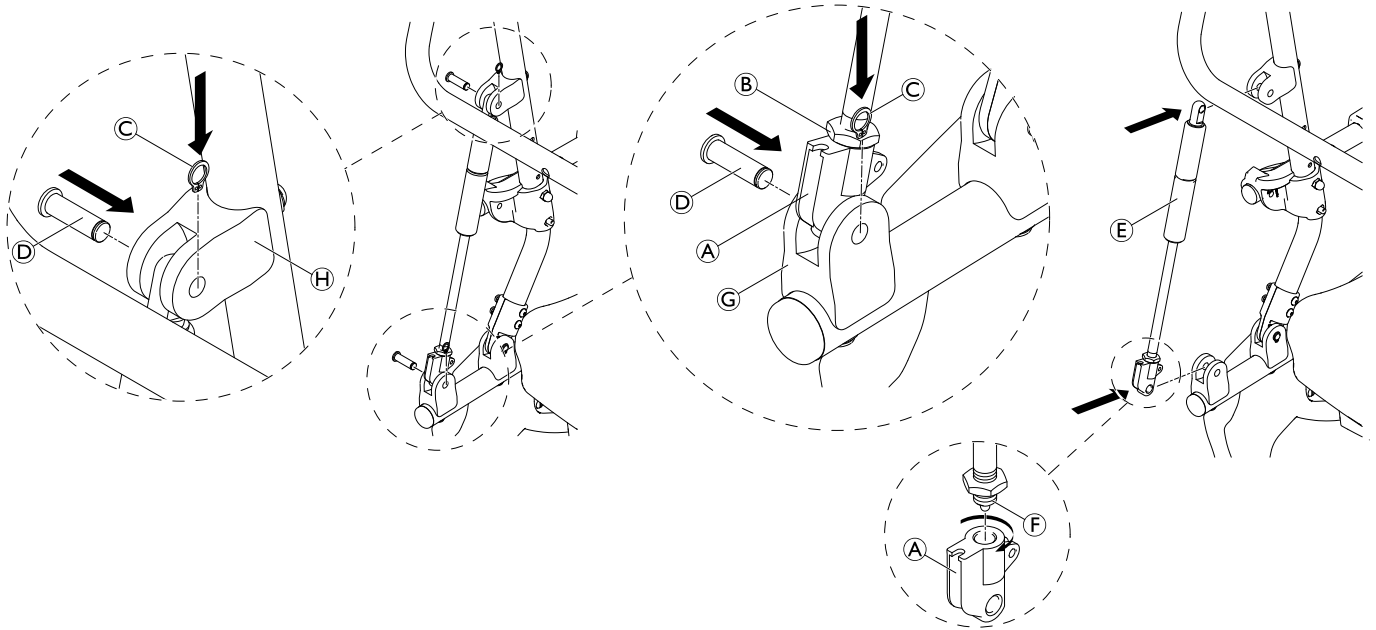



1. Si la poignée d'activation avec câble Bowden doit être remplacée : dévissez l'ancienne poignée d'activation de la barre de poussée et vissez une poignée d'activation neuve.
2. Si le câble Bowden **A** ou la poignée d'activation **C** doit être remplacé : Tirez légèrement le câble Bowden hors de la poignée d'activation.
3. Retirez le manchon **B**.
4. Poussez le câble Bowden à l'intérieur et ouvrez le verrouillage du frein (verrouillage du frein non représenté).
5. Poussez le manchon **D** vers l'extérieur.
6. Sortez complètement le câble Bowden et retirez le levier de frein **E**.
7. Si la poignée d'activation doit être remplacée : desserrez les vis **F** et retirez la poignée d'activation. Assemblez la poignée d'activation neuve. Retirez le levier de frein **E**.
8. Pour le remontage, insérez le câble Bowden dans la poignée d'activation et le levier de frein.
 

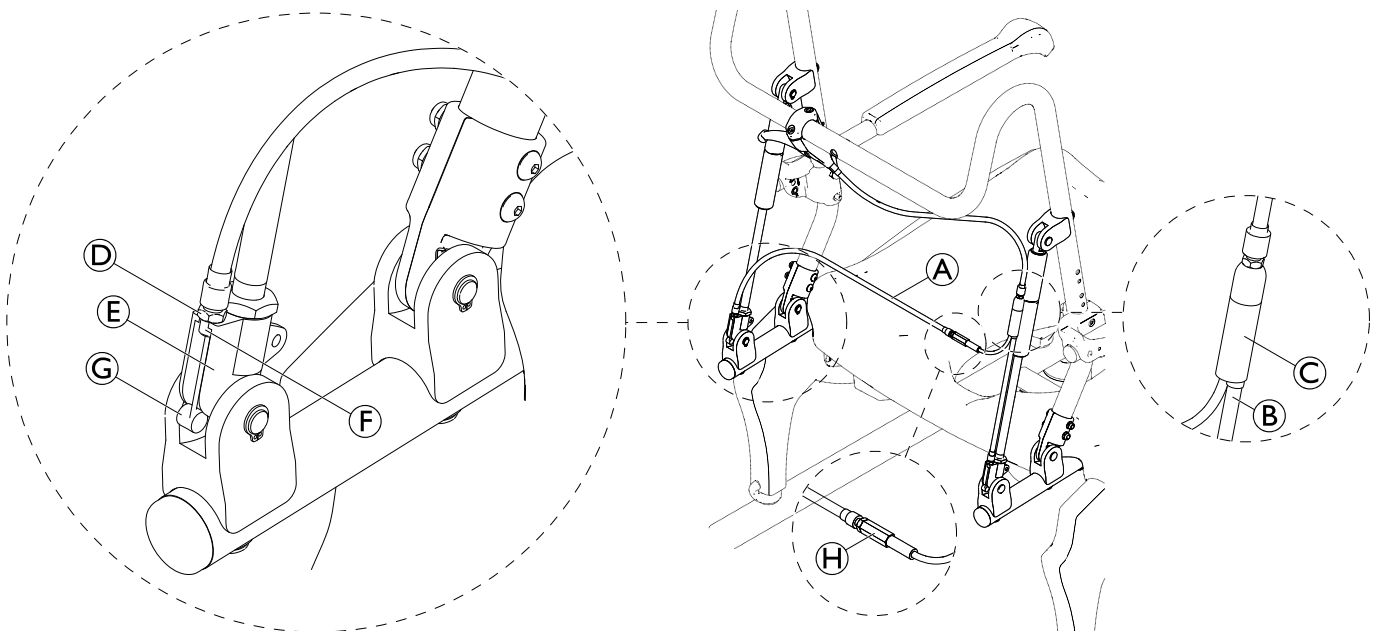
 S'il faut installer un câble Bowden neuf, vérifiez que le câble n'est pas tendu, voir page 17, étapes 1 et 2.
9. Remontez le manchon **D**. Veillez à ce que l'orientation soit correcte.
10. Réinstallez le levier de frein **E**.
11. Remontez le manchon **B** en tirant légèrement sur le câble.




1. Si le mécanisme de déblocage (A) doit être remplacé :  
 desserrez l'écrou (B).
2. Retirez le circlip (C).
3. Retirez le boulon (D) (si le ressort pneumatique doit  
 intégralement être remplacé, retirez également le circlip  
 et le boulon supérieurs et retirez le ressort pneumatique  
 (E).)
-  Si nécessaire, poussez le dossier légèrement  
 vers l'avant pour pouvoir retirer le boulon plus  
 facilement.
4. Si le mécanisme de déblocage doit être remplacé :  
 Dévissez le mécanisme de déblocage (A) de la pièce  
 fileté (F).



1. Si le mécanisme de déblocage **A** doit être remplacé :  
Vissez le mécanisme de déblocage neuf de nouveau (libérez 2 filets ou un espace de 1,5 à 2 mm entre le mécanisme de déblocage et le début du filetage de la tige du piston **F**).
2. Réinstallez les boulons **D** et les circlips **C** sur les fixations inférieures **G** et, si nécessaire, sur les fixations supérieures **H** si l'intégralité du ressort pneumatique a été remplacé.
  -  Si nécessaire, poussez le dossier légèrement vers l'avant pour pouvoir insérer le boulon plus facilement.
3. Serrez l'écrou **B** sur le mécanisme de déblocage.



1. Préparez le câble Bowden **A** : Vérifiez que l'extrémité du câble **B** est correctement positionnée dans le distributeur **C**.
2. Accrochez la tête du câble Bowden **C** dans le mécanisme de déblocage **E**.

 L'extrémité la plus longue doit être placée sur la gauche du mécanisme de déblocage, l'extrémité la plus courte doit être placée sur la droite.

3. Positionnez le filetage ⑥ de l'écrou ⑤ sur le mécanisme de déblocage et vissez-le (une longueur de filetage suffisante doit être engagée). Pour cela, tirez légèrement sur le câble.

**IMPORTANT !**

– Vérifiez que la partie en plastique du mécanisme de déblocage reste en bas pendant le vissage.

**IMPORTANT !**

– Vérifiez que les réglages sont identiques du côté gauche et du côté droit. Le jeu qui existe lorsque le câble est tiré vers le haut doit être le même des deux côtés. Vous pouvez le régler à l'aide du filetage/de l'écrou à l'extrémité du câble au niveau du mécanisme de déblocage et à l'aide du filetage/de l'écrou sur l'élément de réglage ④ sur le câble plus long en dévissant ou en vissant.

4. Après avoir effectué le réglage, verrouillez les écrous sur le mécanisme de déblocage et l'élément de réglage.
5. Réglez le câble Bowden par l'intermédiaire du distributeur ③ et verrouillez l'écrou de façon à ce que le jeu sur la poignée et sur les mécanismes de déblocage diminue (si vous tirez sur le câble). Du fait du réglage sur le distributeur, la partie en plastique sur le mécanisme de déblocage ne doit pas être tirée vers le haut.
6. Vérifiez le fonctionnement : Les deux ressorts pneumatiques doivent se déclencher simultanément.

## 5.11 Remplacement du ressort pneumatique — Mécanisme de déblocage — Câble Bowden pour l'inclinaison du siège (Ocean VIP / Ocean Dual VIP)



Clé (6, 8) / clé Allen (4 mm) / pinces pour anneaux élastiques

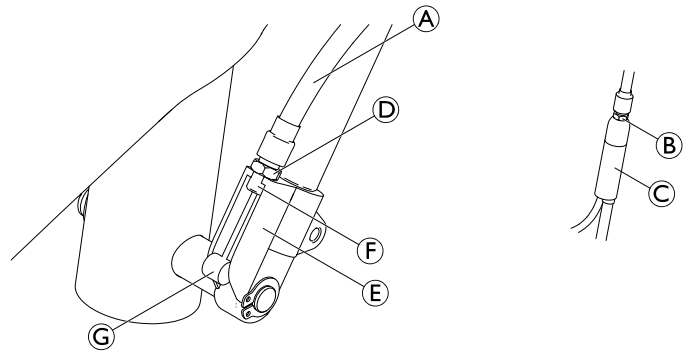


1. Desserrez complètement l'écrou ⑥ sur le distributeur ① et faites-le tourner jusqu'en haut. Faites tourner la partie supérieure dans le distributeur.
2. Desserrez l'écrou ④ sur le mécanisme de déblocage ⑤ et faites-le tourner jusqu'en haut. Dévissez la pièce fileté ⑦ du mécanisme de déblocage.

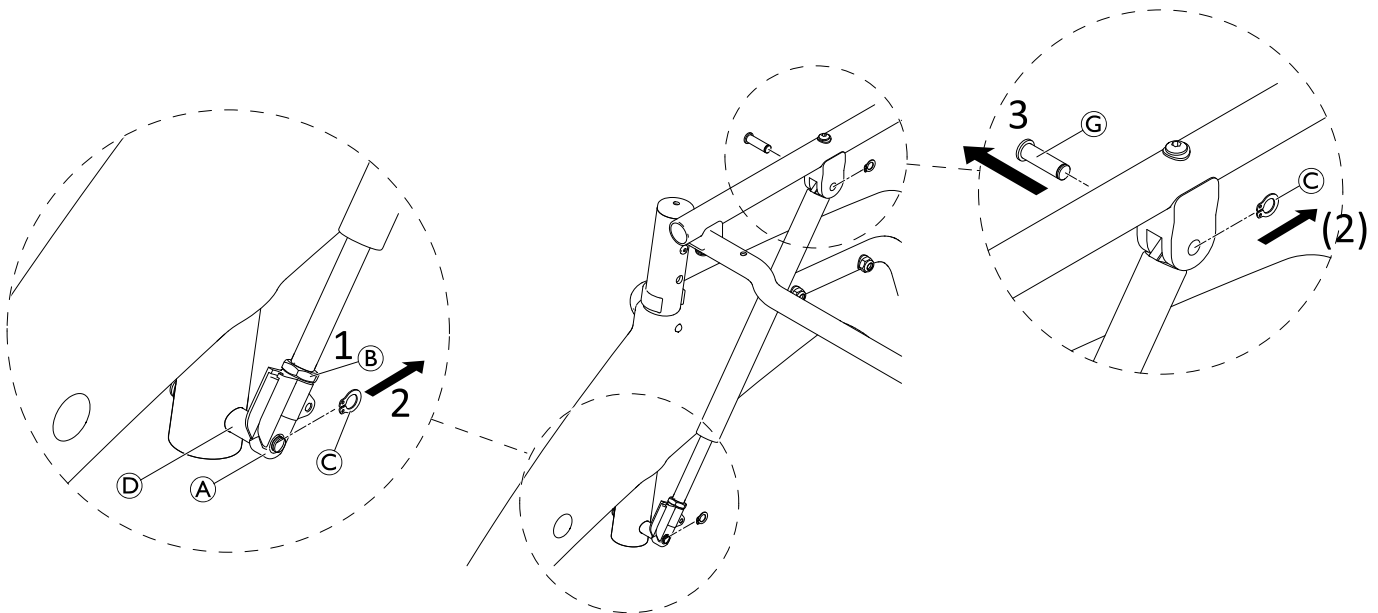


Tirez légèrement le câble Bowden ① vers le haut pour faciliter l'opération.

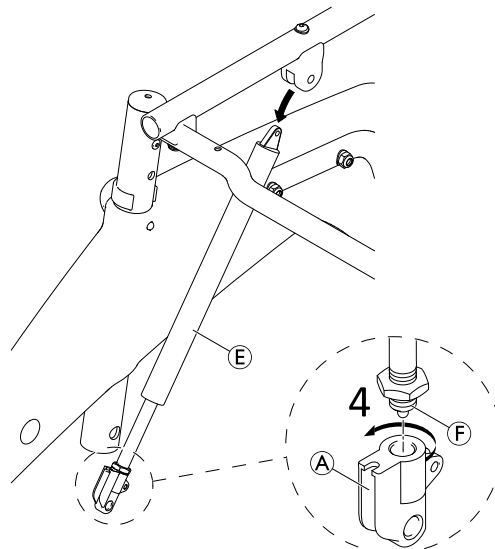
3. Décrochez la tête du câble Bowden ③.

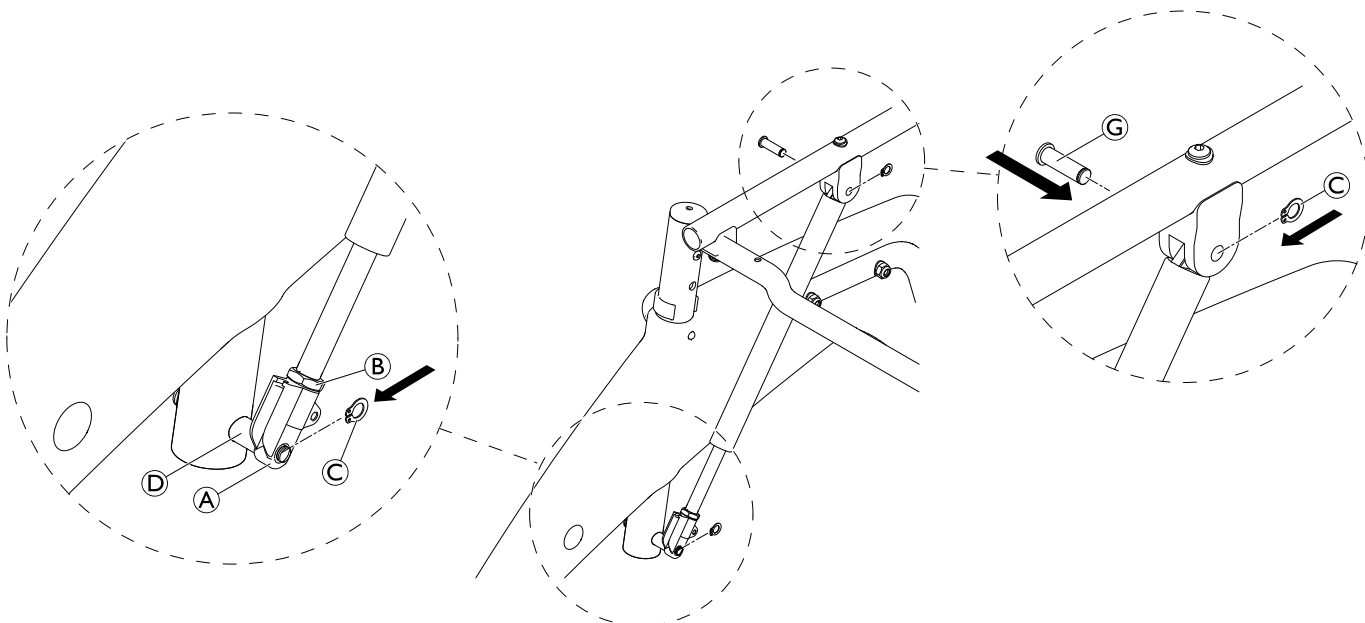


Si la poignée d'activation / le câble Bowden doit être remplacé, voir le chapitre 5.10 Remplacement du ressort pneumatique — Mécanisme de déblocage — Câble Bowden pour l'inclinaison du dossier (Ocean Dual VIP / Ocean Dual VIP Ergo), page 80.




1. Si le mécanisme de déblocage ① doit être remplacé : desserrez l'écrou ②.
2. Retirez le circlip ③.
3. Retirez le ressort pneumatique ⑤ du boulon ④.
4. Si le ressort pneumatique doit être intégralement remplacé, retirez également le circlip et le boulon ⑦ supérieurs et retirez le ressort pneumatique ⑤.
5. Si le mécanisme de déblocage doit être remplacé : Dévissez le mécanisme de déblocage ① de la pièce fileté ⑥.






1. Si le mécanisme de déblocage ① doit être remplacé :  
Vissez le mécanisme de déblocage neuf de nouveau (libérez 2 filets ou un espace de 1,5 à 2 mm entre le mécanisme de déblocage et le début du filetage de la tige du piston ⑥).
2. Réinstallez le ressort pneumatique ⑤ sur le boulon ④ et fixez à l'aide des circlips ③ ; si nécessaire, réinstallez le bouton ② et les circlips ③ sur la fixation supérieure si le ressort pneumatique doit intégralement être remplacé.

 Si nécessaire, poussez le dossier légèrement vers l'avant pour pouvoir insérer le boulon plus facilement.

3. Serrez l'écrou ② sur le mécanisme de déblocage.
4. Préparez le câble Bowden ① : Vérifiez que l'extrémité du câble ② est correctement positionnée dans le distributeur ③.
5. Accrochez la tête du câble Bowden ④ dans le mécanisme de déblocage ⑤.

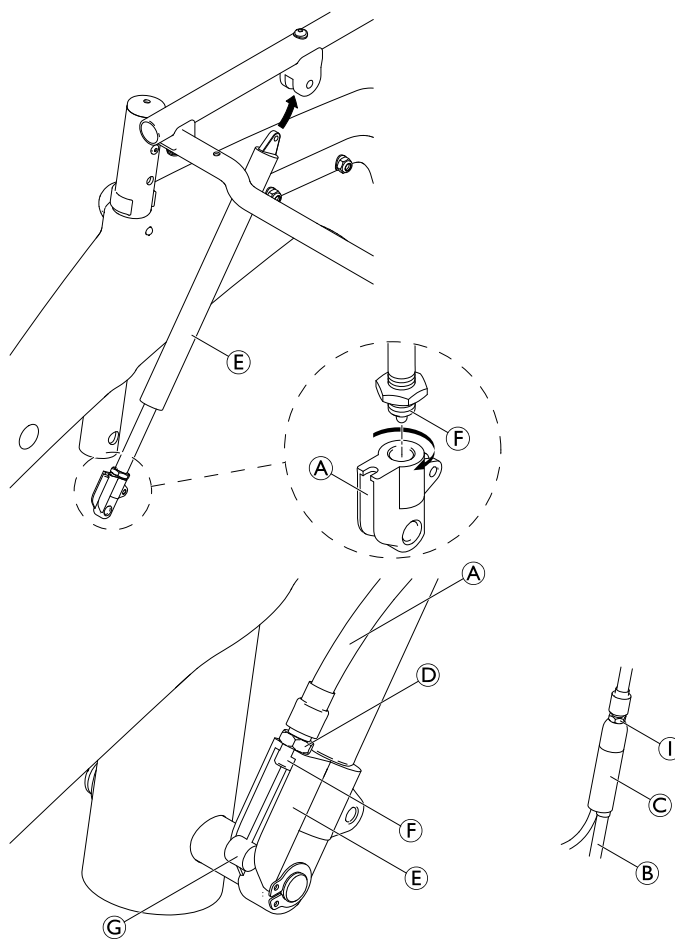
 L'extrémité la plus longue doit être placée sur la droite du mécanisme de déblocage, l'extrémité la plus courte doit être placée sur la gauche.

6. Positionnez le filetage ⑥ de l'écrou ④ sur le mécanisme de déblocage et vissez-le (une longueur de filetage suffisante doit être engagée). Pour cela, tirez légèrement sur le câble.

#### IMPORTANT !

- Vérifiez que la partie en plastique du mécanisme de déblocage reste en bas pendant le vissage.
- Vérifiez que les réglages sont identiques du côté gauche et du côté droit. Le jeu qui existe lorsque le câble est tiré vers le haut doit être le même des deux côtés. Vous pouvez le régler à l'aide du filetage/de l'écrou à l'extrémité du câble au niveau du mécanisme de déblocage.


7. Après avoir effectué le réglage, verrouillez les écrous ④ sur le mécanisme de déblocage ⑤.
8. Réglez le câble Bowden par l'intermédiaire du distributeur ③ et verrouillez l'écrou ① de façon à ce que le jeu sur la poignée et sur les mécanismes de déblocage diminue (si vous tirez sur le câble). Du fait du réglage sur le distributeur, la partie en plastique

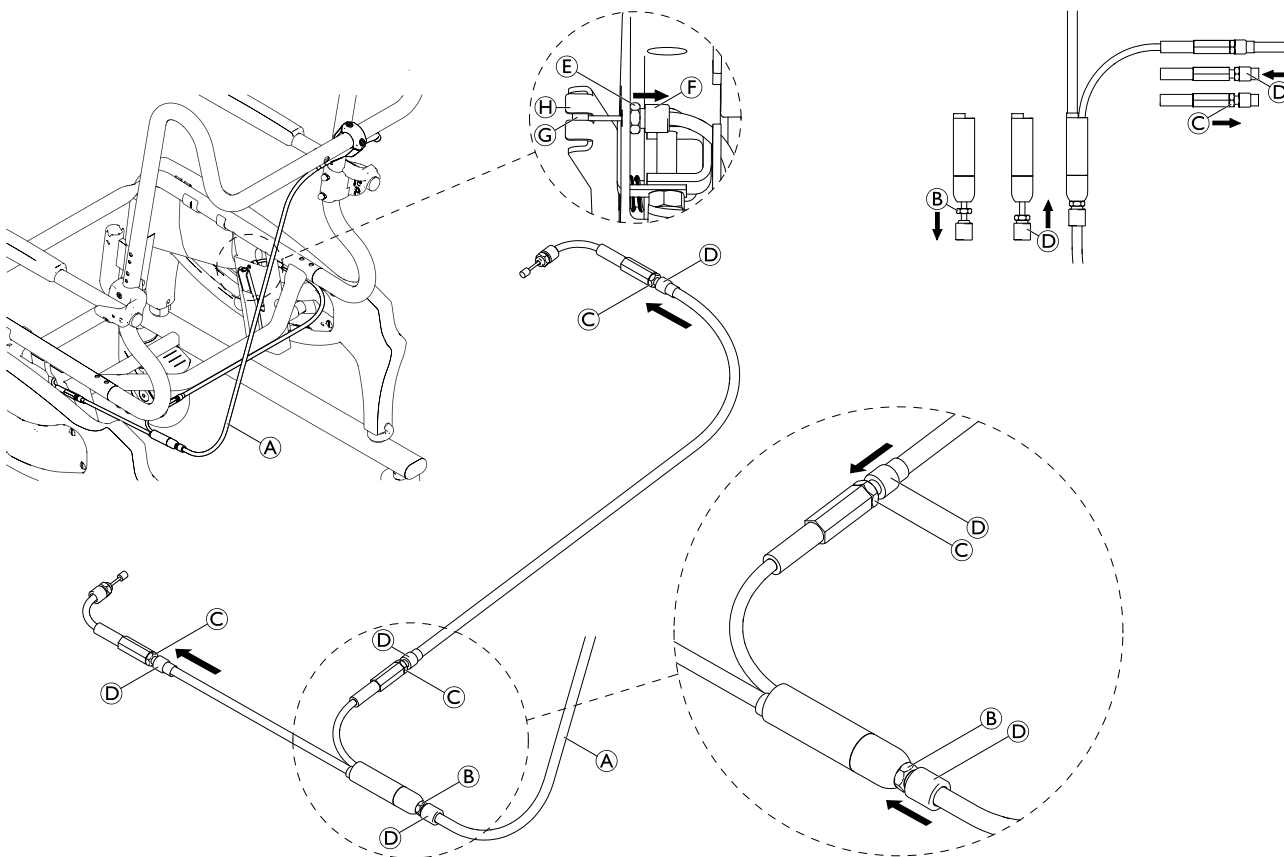


sur le mécanisme de déblocage ne doit pas être tirée vers le haut.

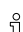
9. Vérifiez le fonctionnement : Les deux ressorts pneumatiques doivent se déclencher simultanément.

## 5.12 Remplacement du câble Bowden pour l'inclinaison du siège (Ocean VIP Ergo / Ocean Dual VIP Ergo)

 Clé Allen (4)




1. Retirez la plaque d'assise pour faciliter l'opération ; reportez-vous au manuel d'utilisation.
2. Retirez le carénage de frein ; reportez-vous au manuel d'utilisation.
3. Retirez les serre-câbles.
4. Libérez le câble Bowden **A** de toute tension. Pour cela, dévissez complètement tous les écrous **C** situés sur les tendeurs de câble et l'écrou **B** situé sur le distributeur. Vissez les manchons filetés **D** complètement dans les tendeurs de câble et le distributeur.
5. Dévissez les écrous **E** aux extrémités du câble.
6. Dévissez le manchon fileté **F** aux extrémités du câble et suspendez les extrémités du câble **G** à l'extérieur du levier de frein **H**.

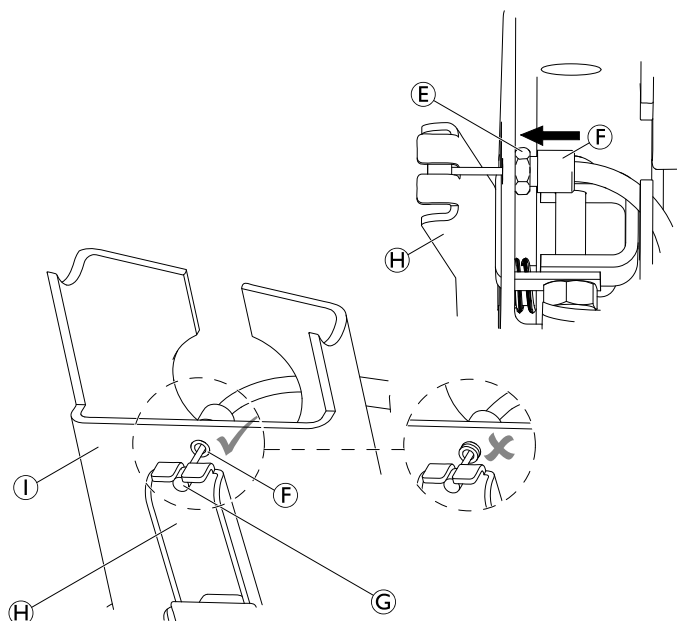
 Si le câble Bowden doit être remplacé sans la poignée d'activation, le câble Bowden doit être démonté de la poignée d'activation ; voir chapitre 5.10 Remplacement du ressort pneumatique — Mécanisme de déblocage — Câble Bowden pour l'inclinaison du dossier (Ocean Dual VIP / Ocean Dual VIP Ergo), page 80.

Si le câble Bowden doit être remplacé avec la poignée d'activation, la poignée d'activation doit être remplacée ; voir le manuel d'utilisation.

7. Installez le câble Bowden neuf (la partie la plus courte du côté gauche) et accrochez les extrémités **G** dans le levier de frein **H**. Vissez le manchon fileté **F** jusqu'à ce qu'il soit de niveau avec le boîtier de frein **I**.

 Le manchon fileté ne doit pas chevaucher.

8. Verrouillez l'écrou **E**.





## Réglage du système



Clé Allen (4)

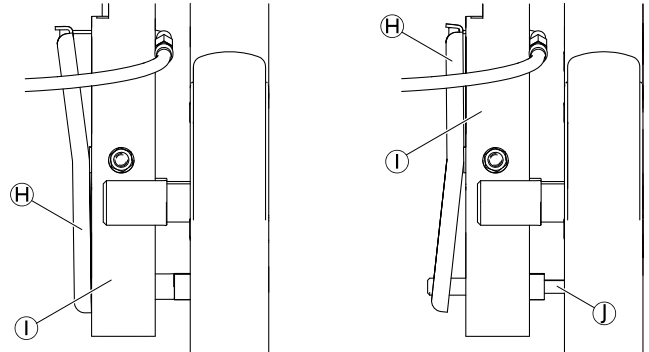
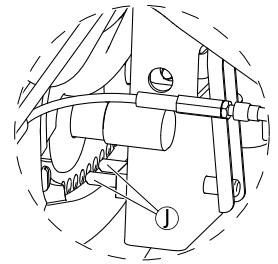


### IMPORTANT !

- Les tiges de frein ① doivent être complètement sorties des trous de la pièce latérale lorsque la poignée de frein est activée et être engagées lorsque la poignée de frein est relâchée.
- Lorsque la poignée de frein est activée, les tiges de frein doivent sortir simultanément des deux côtés ; il faut obligatoirement un espace visible entre la pièce latérale et les tiges de frein.
- Le levier de frein ② doit être de niveau avec le boîtier de frein ① lorsque la poignée de frein est relâchée / activée.



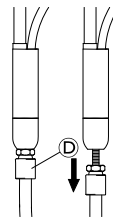
Retirez les protections des pièces latérales pour avoir une meilleure visibilité et faciliter l'opération.



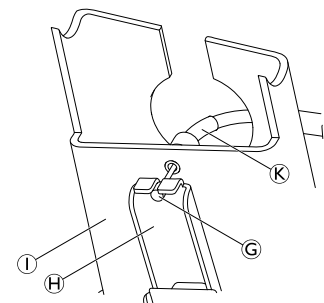
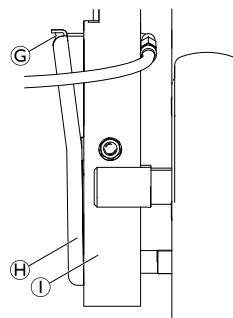
1. Sur le distributeur, dévissez le manchon fileté ④ aussi loin que vous pouvez. Cela réduira l'espace entre l'extrémité du câble ③ et le levier de frein ②. Par conséquent, la distance d'activation de la poignée de frein sera également diminuée.



Pendant le réglage, vérifiez que les manchons en plastique noir ⑤ sont bien positionnés.



2. Vérifiez que la partie inférieure du levier de frein ② est de niveau avec le boîtier de frein ①.
3. Tirez sur l'extrémité du câble ③ pour vérifier le jeu. Le réglage est correct lorsqu'il n'est pas possible de faire ressortir l'extrémité du câble.
4. Si l'espace n'est pas identique à droite et à gauche, cela doit être corrigé. Pour cela, dévissez le manchon fileté situé sur le tendeur de câble du côté concerné.
5. Lorsque tous les réglages sont satisfaisants, verrouillez les écrous ⑥ et ⑦ (voir le premier schéma de ce chapitre).
6. Vérifiez la fonction d'inclinaison. Dans toutes les positions, les tiges de frein doivent se verrouiller correctement.
7. Assemblez les serre-câbles.
8. Mettez en place tous les carénages/protections.



## 5.13 Découpe de l'appui-tête / du repose-pied / du support d'amputation à la longueur nécessaire

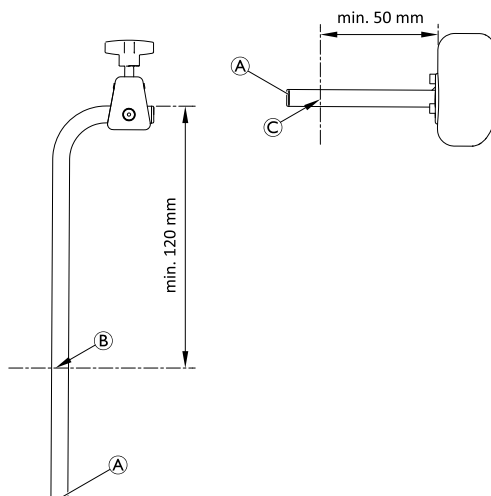


Clé Allen (M6 / SW4), scie, règle, perceuse et mèche  $\varnothing$  8,1



### Appui-tête

1. Retirez la ou les prises (A).
2. Coupez le tube de réglage de la hauteur (B) à la longueur nécessaire (longueur min. restante 120 mm).
3. Coupez le tube de réglage de la profondeur (C) à la longueur nécessaire (longueur min. restante 50 mm).
4. Ébarbez tous les bords tranchants.
5. Réinsérez la ou les prises.



### Repose-pied

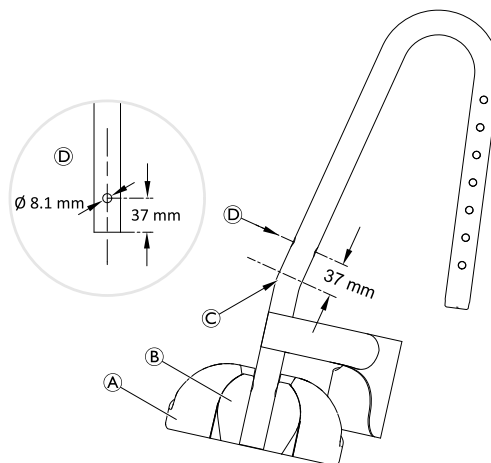
1. Retirez la palette repose-pieds (A) et le joint pivotant (B).
2. Coupez le tube à la longueur nécessaire juste au-dessus de la courbe (C).
3. Percez un trou de 8,1 mm de diamètre (D), à 37 mm du bord inférieur du tube.
4. Ébarbez tous les bords tranchants.
5. Remontez le joint pivotant et la palette repose-pieds.



Pour le démontage/l'installation des palettes repose-pieds, voir le chapitre 5.5 Remplacement des palettes repose-pieds, page 75.

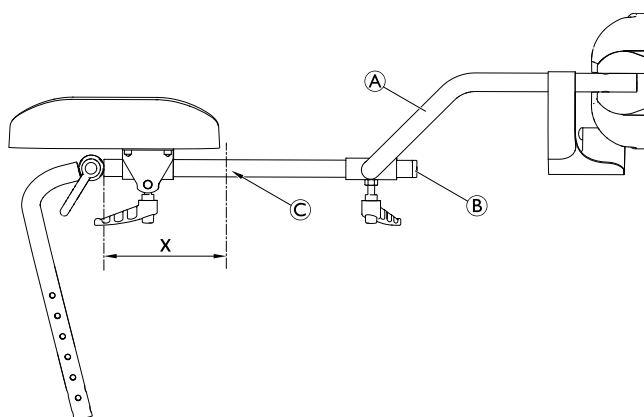


Pour le démontage/l'installation du joint pivotant, voir le chapitre 5.5.2 Démontage/installation du joint pivotant, page 76.



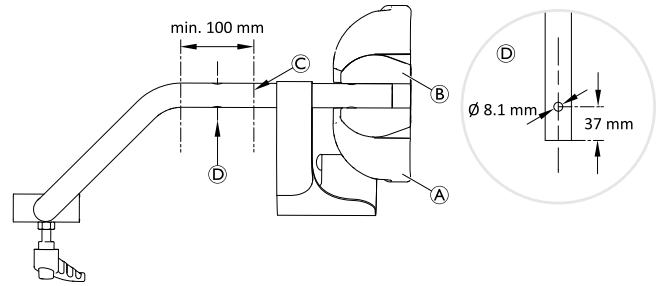
### Support d'amputation


1. Retirez l'ensemble du repose-pied (A).
2. Retirez la prise (B).
3. Coupez le tube (C) à la longueur nécessaire (longueur min. restante x mm).  
Si un repose-pied est utilisé x = 140 mm  
Si le repose-pied n'est pas utilisé x = 80 mm
4. Ébarbez tous les bords tranchants.
5. Réinsérez la prise.
6. Remontez l'ensemble du repose-pied (si nécessaire).




### Support d'amputation (repose-pied)

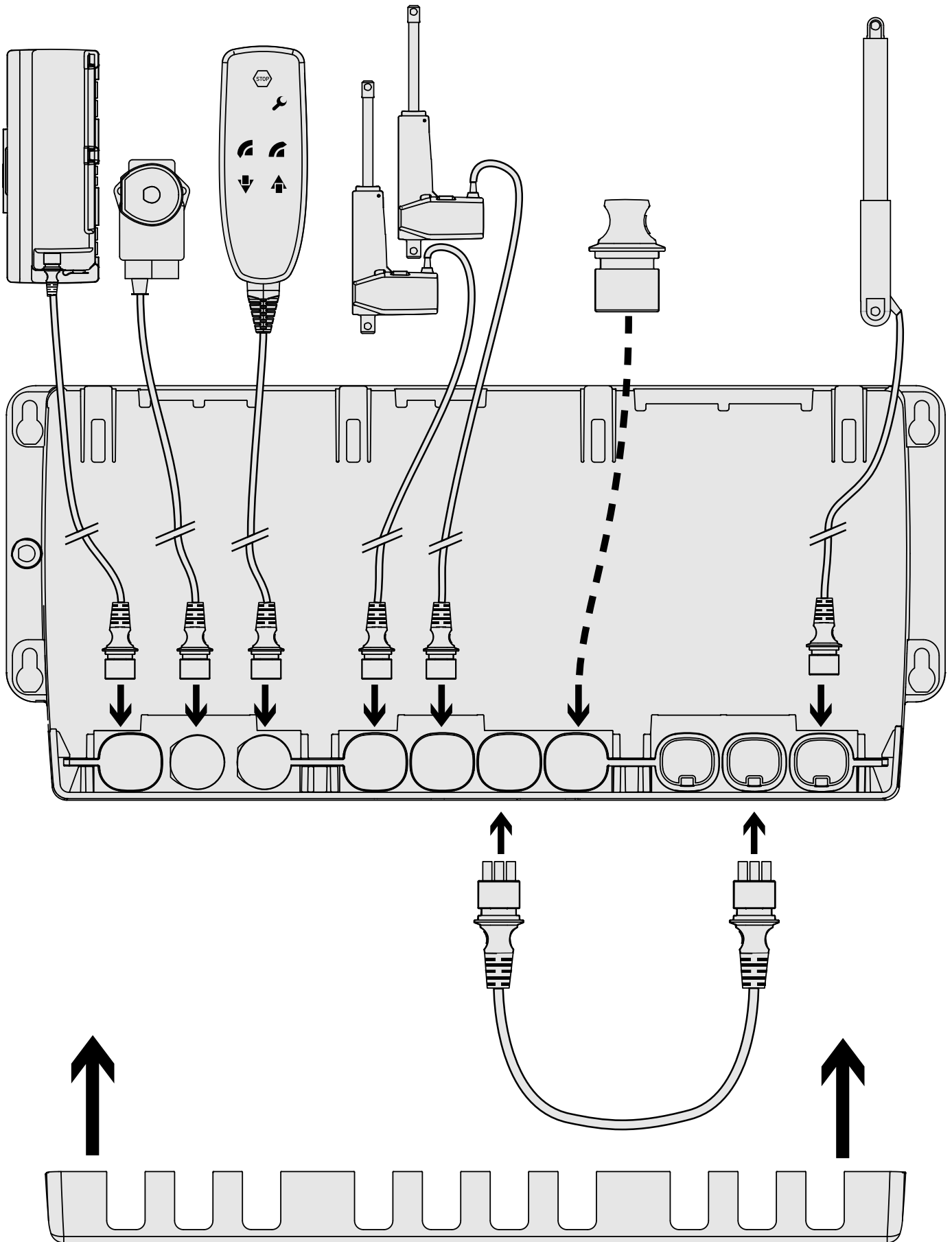
1. Retirez la palette repose-pieds **A** et le joint pivotant **B**.
2. Coupez le tube **C** à la longueur nécessaire (longueur min. restante 100 mm).
3. Percez un trou de 8,1 mm de diamètre **D**, à 37 mm du bord inférieur du tube.
4. Ébarbez tous les bords tranchants.
5. Remontez le joint pivotant et la palette repose-pieds.



 Pour le démontage/l'installation des palettes repose-pieds, voir le chapitre 5.5 *Remplacement des palettes repose-pieds*, page 75.


 Pour le démontage/l'installation du joint pivotant, voir le chapitre 5.5.2 *Démontage/installation du joint pivotant*, page 76.


### 5.14 Schéma de connexion (Ocean E-VIP)

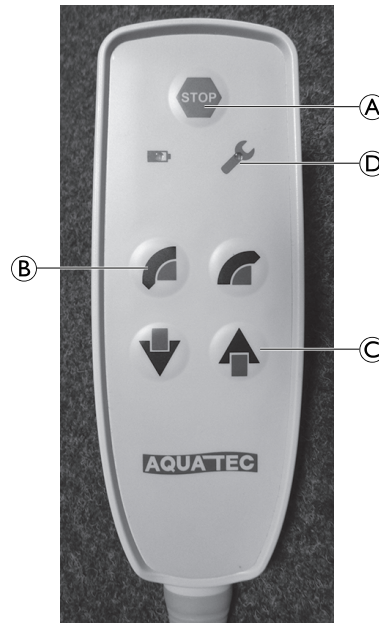


### Mise en œuvre d'une réinitialisation

1. Maintenez simultanément enfoncés les trois boutons suivants pendant trois secondes environ sur la télécommande : bouton rouge ARRÊT (A), bouton Avant (B) et bouton Haut (C).  
Vous entendrez un signal sonore lorsque vous appuierez sur les trois boutons.
2. Lorsque le témoin lumineux « SERVICE » (D) s'éteint, relâchez les boutons. L'appareil peut à nouveau être utilisé.
3. Déplacez ensuite les commandes de réglage de hauteur vers la position la plus basse jusqu'à ce que vous entendiez l'extinction des commandes.
4. Déplacez le mécanisme d'inclinaison en position terminale arrière jusqu'à ce que vous entendiez l'extinction de la commande. (Le voyant rouge clignote et un signal sonore se déclenche).

 Remplacer les clips de sécurité par des clips neufs en cas de remplacement des vérins.

 Vérifiez que tous les câbles sont réinstallés comme à l'origine en cas de changements de composants.





---

# Indholdsfortegnelse

---

FORHANDLER: Opbevar denne manual. Procedurerne i denne manual SKAL udføres af en uddannet tekniker.

<b>1 Generelt</b>	<b>96</b>
1.1 Indledning	96
1.2 Symboler i denne manual	96
<b>2 Sikkerhed</b>	<b>97</b>
2.1 Generelle sikkerhedsanvisninger	97
2.2 Personlige sikkerhedsoplysninger	97
2.3 Elektrisk sikkerhedstjek	97
<b>3 Service</b>	<b>98</b>
3.1 Eftersynskontrolliste	98
3.2 Reservedele	98
3.3 Farvekoder for rammen	98
<b>4 Eftersyn</b>	<b>99</b>
4.1 Rengøring og desinfektion	99
4.2 Materialeoversigt	99
4.3 Renoveringsordning	99
<b>5 Vejledning</b>	<b>103</b>
5.1 Generelle reparationsoplysninger	103
5.2 Udskiftning af armlænet (=> 01/2021)	103
5.2.1 Udskiftning af armlænsputen (=> 01/2021)	103
5.3 Udskiftning af armlænet (02/ 2021 =>)	104
5.4 Udskiftning af fodstøtteholderen (Ocean VIP / Ocean Dual VIP / Ocean E-VIP)	105
5.5 Udskiftning af fodplader	105
5.5.1 Udskiftning af den fleksible monteringsstift	106
5.5.2 Afmontering/montering af drejeleddet	106
5.6 Udskiftning af hjulene	106
5.6.1 Afmontering/montering af hjul	107
5.7 Udskiftning af de indvendige/udvendige dækplader (Ocean VIP Ergo / Ocean Dual VIP Ergo)	107
5.8 Udskiftning af sædefikseringen (Ocean VIP Ergo / Ocean Dual VIP Ergo)	108
5.9 Udskiftning af sidedelene (Ocean VIP Ergo / Ocean Dual VIP Ergo)	109
5.10 Udskiftning af gaspatron - udløsningsmekanisme - bowdenkabel til ryglænets hældning (Ocean Dual VIP / Ocean Dual VIP Ergo)	110
5.11 Udskiftning af gaspatron - udløsningsmekanisme - bowdenkabel til sædekip (Ocean Dual VIP / Ocean Dual VIP Ergo)	115
5.12 Udskiftning af bowdenkabel til sædekip (Ocean VIP Ergo / Ocean Dual VIP Ergo)	117
5.13 Sådan skæres hovedstøtten / fodstøtten / amputationsstøtten til i længden	119
5.14 Tilslutningsdiagram (Ocean E-VIP)	121

# 1 Generelt

## 1.1 Indledning

Denne manual indeholder oplysninger om samling, indstilling og avanceret vedligeholdelse af produktet. For at garantere sikkerheden ved håndtering af produktet, skal manualen læses omhyggeligt, og sikkerhedsanvisningerne skal følges.

Du kan finde brugsanvisningen på Invacares hjemmeside eller ved at kontakte din Invacare-forhandler. Adresseerne findes i slutningen af denne manual.

Invacare forbeholder sig retten til at ændre produktspecifikationer uden forudgående varsel.

Før denne manual læses, skal det sikres, at det er den nyeste version. Den nyeste version findes i PDF-format på Invacares hjemmeside.

Se oplysninger om forsalg og brugeroplysninger i brugsanvisningen.

Det er muligt at få flere oplysninger om produktet, f.eks. sikkerhedsanvisninger til produkter og tilbagekaldelser af produkter, ved at kontakte din Invacare-forhandler. Adresseerne findes i slutningen af dette dokument.

## 1.2 Symboler i denne manual

I denne manual anvendes symboler og signalord til angivelse af faresituationer eller u hensigtsmæssig

anvendelse, som kan medføre person- eller produktskader. Se oplysningerne nedenfor for at få en definition af symbolerne.



### ADVARSEL

Angiver en potentielt farlig situation, som kan resultere i alvorlig kvæstelse eller dødsfald, hvis den ikke undgås.



### FORSIGTIG

Angiver en potentielt farlig situation, som kan resultere i en mindre eller lille kvæstelse, hvis den ikke undgås.



### VIGTIGT

Angiver en potentielt farlig situation, som kan resultere i beskadigelse af ejendom, hvis den ikke undgås.



### Tips

Giver nyttige tips, anbefalinger og oplysninger, der sikrer en effektiv, problemfri anvendelse.



### Værktøj

Identificerer værktøj, komponenter og genstande, der er nødvendige for at kunne udføre bestemte arbejdsopgaver.



## 2 Sikkerhed

### 2.1 Generelle sikkerhedsanvisninger


**ADVARSEL!**
**Risiko for personskade eller produktskade**

- Fremgangsmåder i denne manual skal udføres af en uddannet tekniker.
- Brug kun originalt tilbehør og originale reservedele.
- Undlad at håndtere dette produkt eller nogen former for ekstraudstyr uden først at have læst og forstået denne vejledning og andet instruktionsmateriale som f.eks. brugsanvisninger, installationsmanualer eller instruktionsblade, der leveres sammen med dette produkt eller ekstraudstyret.
- Kontrollér efter hver samling, at alle beslag er spændt korrekt, og at alle dele fungerer korrekt.


**ADVARSEL!**
**Risiko for forurening**

- Produktet skal rengøres og desinficeres grundigt før servicering.


**VIGTIGT!**

Samling af tilbehør er muligvis ikke beskrevet i denne servicemanual. Se manualen, der leveres sammen med tilbehøret.

- Yderligere manualer er tilgængelige efter anmodning. Se adresserne i slutningen af dette dokument.


**VIGTIGT!**

Nogle reservedele er kun tilgængelige som et sæt. Brug altid hele det nye sæt, når du udskifter en del.

- Reservedele kan bestilles fra Invacare. Der henvises til din lokale Invacare-hjemmeside for adgang til reservedelskatalog for powermodulet (ESPC).


**VIGTIGT!**

Se brugsanvisningen til dette produkt for oplysninger om

- Tekniske data
- Produktkomponenter
- Mærkater
- Yderligere sikkerhedsanvisninger
- Rengørings- og desinficeringsinstruktioner



Oplysningerne i dette dokument kan ændres uden forudgående varsel.

### 2.2 Personlige sikkerhedsoplysninger

Disse sikkerhedsanvisninger er beregnet på at undgå ulykker under arbejdet og skal overholdes under alle omstændigheder.

Alle medarbejdere, der kommer i kontakt med forurenede produkter, skal regelmæssigt konsultere en virksomhedslæge. Arbejdstøj og personlige værnemidler skal være tilgængelige i nødvendige mængder og være i korrekt stand. Pålidelig hånd- og overflade desinfektion skal sikres.


**ADVARSEL!**
**Risiko for forurening**

- Rengør og desinficér produktet, inden reparationerne udføres.

### 2.3 Elektrisk sikkerhedstjek


**VIGTIGT!**

Regelmæssige elektriske kontroller i henhold til EN 62353 (VDE0751) skal udføres i overensstemmelse med nationale krav.

1. Undersøg alle powemodulkomponenter for beskadigelse af kabinettet eller kablet, testfunktionerne og kontrollér for vagabonderende strøm.

## 3 Service

### 3.1 Eftersynskontrolliste

<b>Generelt eftersyn</b>	☺	☹
Er produktet i god stand og er det komplet (produkt og tilbehør)?	<input type="checkbox"/>	<input type="checkbox"/>
Er produktet frit for skader eller mangler af enhver art?	<input type="checkbox"/>	<input type="checkbox"/>
Fungerer produktet korrekt under nominal belastning?	<input type="checkbox"/>	<input type="checkbox"/>
Er produktet fuldt funktionsdygtigt i overensstemmelse med brugsanvisningen?	<input type="checkbox"/>	<input type="checkbox"/>
<b>Eliminering af fejl</b>	☺	☹
Er alle de konstaterede fejl elimineret, og er defekte komponenter blevet udskiftet?	<input type="checkbox"/>	<input type="checkbox"/>
Er alle skruer/bolte sat fast, og er produktet sikkert monteret?	<input type="checkbox"/>	<input type="checkbox"/>
<b>Afslutning af kontrol</b>	☺	☹
Er produktet teknisk og funktionelt sikkert?	<input type="checkbox"/>	<input type="checkbox"/>
Er produktet blevet rengjort og desinficeret?	<input type="checkbox"/>	<input type="checkbox"/>

Er produktmærkatet let læseligt, og er det sikkert monteret på produktet?	<input type="checkbox"/>	<input type="checkbox"/>
Er produktet ledsaget af den seneste reviderede brugsanvisning?	<input type="checkbox"/>	<input type="checkbox"/>

### 3.2 Reservedele



#### ADVARSEL!

Der skal bruges originale reservedele i alle reparationer. Ellers bortfalder garantien og overensstemmelseserklæringen for produktet.

Alle reservedele skal anskaffes hos kundeserviceafdelingen i Invacare. Der findes et elektronisk katalog med reservedele på [www.invacare.dk](http://www.invacare.dk).

### 3.3 Farvekoder for rammen

Artikel	Farvekode (RAL)
Rammerør	Hvid, RAL 9003
Basisrør (Ocean E-VIP)	Grå RAL7042 / ubehandlet
Fodstøtterør / hovedstøtterør	ubehandlet
Armlænsholder	Blå, RAL 5002

## 4 Eftersyn

### 4.1 Rengøring og desinfektion

Produktet kan rengøres og desinficeres med almindeligt tilgængelige rengøringsmidler.

1. Fjern alle monterede tilbehørsdele (kun tilbehør, der ikke kræver brug af værktøj).
2. Træk fodstøtterne ud af styreskinne.
3. Fjern sædepladen og polstringen fra ryglænet.
4. For Ocean VIP Ergo/Ocean Dual VIP Ergo: Fjern bremsebetrækkene og klemmebeskyttelsen.
5. Vask de enkelte dele ved hjælp af en klud eller børste og almindelige rengøringsmidler og desinfektionsmidler.
6. Skyl delene med varmt vand.
7. Tør delene med en klud.
8. Genmonter produktet.



#### VIGTIGT!

De anvendte rengørings- og desinfektionsmidler skal være effektive og kunne anvendes sammen, og de må ikke angribe de materialer, der rengøres. For yderligere oplysninger om dekontaminering i sundhedssektoren henvises til dine lokale retningslinjer for infektionskontrol og din lokale infektionskontrolpolitik.

- Rengør med håndkraft eller i en vaskemaskine eller en autoklave.
- Rengør uden affedtningsmiddel.

#### Rengøring i et klinisk miljø



Udover rengøring som beskrevet ovenfor anbefaler vi, at produktet rengøres, når patienten udskrives, når produktet ikke længere anvendes eller regelmæssigt (afhængigt af, hvilket indtræffer først) ved

- 90 °C i 1 minut
- 85 °C i 3 minutter
- 80 °C i 10 minutter

i vaskemaskinen eller i autoklaven.



#### FORSIGTIG!

##### Fare for hudforbrænding

– Lad produktet køle af efter rengøring i autoklaven.

#### Rengøring af ryglæns polstring

1. Tag ryglæns polstringen af.
2. Vask betrækket i vaskemaskine ved maks. 60 °C med et mildt rengøringsmiddel.

### 4.3 Renoveringsordning

Følgende punkter skal gennemgås og kontrolleres, når renovering er påkrævet:

#### Generelt

	Undersøg for	Fejlfindingshandling	OK
1	Ved korrekt samling af alle dele er alle skruer strammet inkl. på hjul	Spænd skruerne med gevindlås middel, hvis relevant. Se grafik for strammingsmoment.	<input type="checkbox"/>



#### VIGTIGT!

##### Risiko for beskadigelse

- Vask ved højere temperaturer kan medføre beskadigelse.
- Betrækket bør ikke tørretumbles.



#### VIGTIGT!

- For meget rengøring kan beskadige tekstiler.
- Vi anbefaler, at ryglæns polstringen udskiftes hvert andet år af hygiejniske årsager.

#### Rengøring af bækket (valgfrit)

Bækket kan rengøres i en autoklave ved brug af følgende temperaturer/tider:

- 90 °C i 1 minut
- 85 °C i 3 minutter
- 80 °C i 10 minutter.

#### Desinficering

1. Produktet desinficeres ved at aftørre alle generelt tilgængelige overflader med desinficerende middel (hvis det er muligt, bør produktet adskilles først).

### 4.2 Materialeoversigt

For produktmaterialer, se tilsvarende brugsanvisning.

For tilbehørsmaterialer, se følgende tabel:

Tilbehør	Materiale(r)
Specielle bløde sæder / variable bløde sæder / bløde sæder	PUR
Stænkværn Ocean-serien	PUR
Stænkværn Ocean Ergo-serien	PP
Komfortryglæn	Vinylleder / PVC-foring
Ryglæn	PE-HD
Hovedstøttepuder / kropsstøtte	PUR
Læg- og amputationsstøtte / lægstøtte med fodstøtte	PUR (benstøtte) / PP (fodstøtte)
Bækkenholder	Rustfrit stål
Bækken med låg	PP

**Ramme (alle rammedele, rør inkl. ryglæn)**

	Undersøg for	Fejlfindingshandling	OK
1	Mekanisk skade på rammedele (revner, brud)	Bortskaf rammen og udskift den med en ny, se 5.9 <i>Udskiftning af sidedelene (Ocean VIP Ergo / Ocean Dual VIP Ergo), side 109</i> henholdsvis brugsanvisningen.  Ellers skal produktet bortskaffes.	<input type="checkbox"/>
2	Mekanisk beskadigelse af antitipperen (Ocean Dual VIP / Ocean Dual VIP Ergo)	Udskiftning af antitipperen, se brugsanvisning.	<input type="checkbox"/>

**Sidedele**

	Undersøg for	Fejlfindingshandling	OK
1	Mekanisk skade	Bortskaf sidedelene og udskift dem med nye, se 5.9 <i>Udskiftning af sidedelene (Ocean VIP Ergo / Ocean Dual VIP Ergo), side 109</i> henholdsvis brugsanvisningen.	<input type="checkbox"/>

**Sæde**

	Undersøg for	Fejlfindingshandling	OK
1	Sædeskade (revner, skarpe kanter)	Udskift sædet, se brugsanvisning.	<input type="checkbox"/>
2	Vippende, mindre stabilt sæde		<input type="checkbox"/>
3	Beskadigede fastgørelser på undersiden		<input type="checkbox"/>

**Ryglænspolstring**

	Undersøg for	Fejlfindingshandling	OK
1	Beskadigelse af ryglænspolstring (revner, åbne sømme, beskadigede spænder)	Udskift ryglænspolstring, se brugsanvisning.	<input type="checkbox"/>

**Fodstøtte**

	Undersøg for	Fejlfindingshandling	OK
1	Beskadigelse af fodplade (revner, skarpe kanter)	Udskift fodplader, 5.5 <i>Udskiftning af fodplader, side 105</i>	<input type="checkbox"/>
2	Beskadigelse af fodstøttefastgørelsen ved rammen (Ocean VIP/Ocean E-VIP)	Udskift fodstøttefastgørelsen, 5.4 <i>Udskiftning af fodstøtteholderen (Ocean VIP / Ocean Dual VIP / Ocean E-VIP), side 105</i>	<input type="checkbox"/>
3	Skade på rør	Udskift hele fodstøtten med en ny, se brugsanvisningen.	<input type="checkbox"/>
4	Skade på fastgørelsesklemmerne	Udskift fastgørelsesklemmer til fodstøtterne med nye.	<input type="checkbox"/>

**Armlæn**

	Undersøg for	Fejlfindingshandling	OK
1	Skade på armlænets rør eller holdere (revner, skarpe kanter)	Udskift armlænet med et nyt, 5.2 <i>Udskiftning af armlænet (= &gt; 01/2021), side 103</i>	<input type="checkbox"/>
2	Skade på armlænsputer (revner, skarpe kanter)	Udskift armlænsputen, 5.2.1 <i>Udskiftning af armlænsputen (= &gt; 01/2021), side 103</i>	<input type="checkbox"/>

## Svinghjul

	Undersøg for	Fejlfindingshandling	OK
1	Træge eller beskadigede svinglejer	Udskift hele hjulet med et nyt, 5.6 Udskiftning af hjulene, side 106	<input type="checkbox"/>
2	Træge hjul (lejer)		<input type="checkbox"/>
3	Beskadiget overflade på hjul		<input type="checkbox"/>
4	Skade på hjulgaffel		<input type="checkbox"/>
5	Fastspænd forbindelsesboltene sikkert til rammen	Udskift forbindelsesboltene med nye bolte og gevindlåsnings-klæbemiddel.	<input type="checkbox"/>

## 24" hjul (Ocean / Ocean Ergo)

	Undersøg for	Fejlfindingshandling	OK
1	Skade på 24" hjulene	Udskift 24" hjulene, se monteringsvejledning.	<input type="checkbox"/>
2	Korrekt funktion af bremsen (hjulet skal låse)	Udfør bremsejustering eller udskift bremserne, se monteringsvejledning.	<input type="checkbox"/>
3	Korrekt montering af 24" hjulene, låsestifterne stikker ud over enden af navet for at udløse helt	Udfør navjustering eller udskift nav eller aksel, se monteringsvejledning.	<input type="checkbox"/>

## Hovedstøtte (Ocean VIP / Ocean Dual VIP / Ocean E-VIP / Ocean VIP Ergo / Ocean Dual VIP Ergo)

	Undersøg for	Fejlfindingshandling	OK
1	Skade på hovedstøtten (revner, skarpe kanter)	Udskift hovedstøtten, se monteringsvejledning.	<input type="checkbox"/>
2	Skade på hovedstøttepuden	Udskift hovedstøttepuden, se monteringsvejledning.	<input type="checkbox"/>

## Sædekipningsmekanisme (Ocean VIP / Ocean Dual VIP / Ocean VIP Ergo / Ocean Dual VIP Ergo)

	Undersøg for	Fejlfindingshandling	OK
1	Skade på bowdenkabelsystemet eller kabelskallerne	Udskift bowdenkabelsystemet, 5.12 Udskiftning af bowdenkabel til sædekip (Ocean VIP Ergo / Ocean Dual VIP Ergo), side 117 / 5.11 Udskiftning af gaspatron - udløsningsmekanisme - bowdenkabel til sædekip (Ocean Dual VIP / Ocean Dual VIP Ergo), side 115	<input type="checkbox"/>
2	Skade på aktiveringshåndtaget	Udskift aktiveringshåndtaget, se brugsanvisning.	<input type="checkbox"/>
3	Funktion til tilt og fastgørelse af positionen – skal være let at tilte og fastlåse positionen.	Justér bowdenkablet, 5.12 Udskiftning af bowdenkabel til sædekip (Ocean VIP Ergo / Ocean Dual VIP Ergo), side 117 / 5.11 Udskiftning af gaspatron - udløsningsmekanisme - bowdenkabel til sædekip (Ocean Dual VIP / Ocean Dual VIP Ergo), side 115  Kun for Ocean VIP Ergo/Ocean Dual VIP Ergo:  Hvis tilt-funktionen til en vinkel på under 0° ikke er mulig, skal tiltstopperne (valgfrit tilbehør) fjernes, om nødvendigt. Se Monteringsvejledningen for tilbehøret.	<input type="checkbox"/>
4	Skade på gaspatron	Udskift gaspatronen, 5.12 Udskiftning af bowdenkabel til sædekip (Ocean VIP Ergo / Ocean Dual VIP Ergo), side 117 / 5.11 Udskiftning af gaspatron - udløsningsmekanisme - bowdenkabel til sædekip (Ocean Dual VIP / Ocean Dual VIP Ergo), side 115	<input type="checkbox"/>
5	Skade på udløsningsmekanismen	Udskift udløsningsmekanismen, 5.12 Udskiftning af bowdenkabel til sædekip (Ocean VIP Ergo / Ocean Dual VIP Ergo), side 117 / 5.11 Udskiftning af gaspatron - udløsningsmekanisme - bowdenkabel til sædekip (Ocean Dual VIP / Ocean Dual VIP Ergo), side 115	<input type="checkbox"/>

**Vippemekanismen til ryglænet (Ocean Dual VIP / Ocean Dual VIP Ergo)**

	<b>Undersøg for</b>	<b>Fejlfindingshandling</b>	<b>OK</b>
1	Skade på bowdenkabelsystemet eller kabelskallerne	Udskift bowdenkabelsystemet, 5.10 <i>Udskiftning af gaspatron - udløsningsmekanisme - bowdenkabel til ryglænets hældning (Ocean Dual VIP / Ocean Dual VIP Ergo), side 110</i>	<input type="checkbox"/>
2	Skade på aktiveringshåndtaget	Udskift aktiveringshåndtaget, se brugsanvisning.	<input type="checkbox"/>
3	Funktion til tilt og fastgørelse af positionen – skal være let at tilte og fastlåse positionen.	Justér bowdenkablet, 5.10 <i>Udskiftning af gaspatron - udløsningsmekanisme - bowdenkabel til ryglænets hældning (Ocean Dual VIP / Ocean Dual VIP Ergo), side 110</i>	<input type="checkbox"/>
4	Skade på gaspatron	Udskift gaspatronen, 5.10 <i>Udskiftning af gaspatron - udløsningsmekanisme - bowdenkabel til ryglænets hældning (Ocean Dual VIP / Ocean Dual VIP Ergo), side 110</i>	<input type="checkbox"/>
5	Skade på udløsningsmekanismen	Udskift udløsningsmekanismen, 5.10 <i>Udskiftning af gaspatron - udløsningsmekanisme - bowdenkabel til ryglænets hældning (Ocean Dual VIP / Ocean Dual VIP Ergo), side 110</i>	<input type="checkbox"/>

**Betrækplader (Ocean VIP Ergo / Ocean Dual VIP Ergo)**

	<b>Undersøg for</b>	<b>Fejlfindingshandling</b>	<b>OK</b>
1	Beskadigelse af bremsebetrækpladerne, klemmebeskyttelsesbetræk og betrækket på tilt-mekanismen	Udskift de beskadigede klemmebeskyttelsesbetræk med nye, se brugsanvisningen.  Udskift dækslet til vippemekanismen, 5.7 <i>Udskiftning af de indvendige/udvendige dækplader (Ocean VIP Ergo / Ocean Dual VIP Ergo), side 107.</i>	<input type="checkbox"/>

**Elektrisk højdeindstilling/vipning (Ocean E-VIP)**

	<b>Undersøg for</b>	<b>Fejlfindingshandling</b>	<b>OK</b>
1	Skade på alle kabler	Udskift de beskadigede komponenter med nye.	<input type="checkbox"/>
2	Skade på håndbetjening	Udskift håndbetjeningen med en ny.	<input type="checkbox"/>
3	Skade på elektronikkappen	Udskift powermodulbetrækket med et nyt, se brugsanvisningen.	<input type="checkbox"/>
4	Korrekt funktion af højdeindstilling/tilt-justering og nødudløser.	Se brugsanvisningen (kapitlet Fejlfinding).	<input type="checkbox"/>

**Tilbehør**

	<b>Undersøg for</b>	<b>Fejlfindingshandling</b>	<b>OK</b>
1	Skade på tilbehør	Udskift den defekte komponent eller hele tilbehøret	<input type="checkbox"/>

## 5 Vejledning

### 5.1 Generelle reparationsoplysninger

Reparationer kræver et højt ekspertniveau. Disse monteringsinstruktioner opdeler derfor de forskellige opgaver i 3 kategorier:

Krav	Symbol
Let - teknisk forståelse påkrævet	■□□
Middel - teknisk forståelse påkrævet	■ ■ □
Svært - teknisk forståelse og ekspertise ved montering påkrævet	■ ■ ■

De nødvendige værktøjer og deres størrelser er angivet forrest i instruktionerne.



#### VIGTIGT!

- Hvis det er muligt, fortsæt med at bruge det gamle produktmærkat. Hvis dette ikke er muligt, skal det nye produktmærkat indeholde de samme oplysninger og det gamle serienummer. (Udskiftning af reservedel med serienumre).
- Når komponenterne udskiftes, er det nødvendigt at sikre sporbarheden af de udskiftede komponenter.
- Hvis skruer med gevindlås middel løsner sig, skal de udskiftes med nye skruer med gevindlås middel. Alternativt skal nyt gevindlås middel anvendes (f.eks. Loctite 2701).
- Hvis skruer med låseringe løsner sig, skal de udskiftes med nye.
- Dele, der beskadiges under fjernelse, skal udskiftes med nye.

### 5.2 Udskiftning af armlænet (= > 01/2021)

for ældre modeller indtil januar 2021



Unbrakonøgle (4 mm)

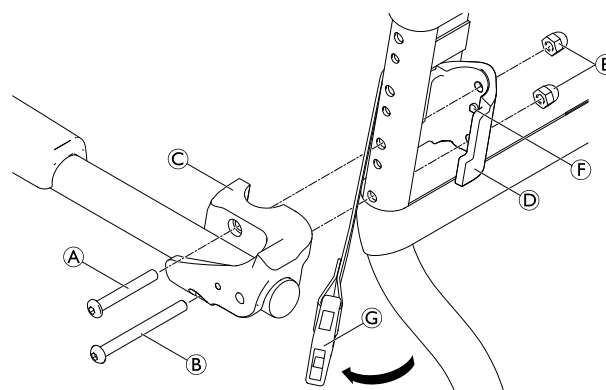


1. Skru skruerne **A** og **B** ud af armlænsbeslaget **C** ved hjælp af den medfølgende unbrakonøgle.
2. Afmonter holdeklemmen **D** med møtrikkerne **E** fra undersiden af ryglænsrammen.
3. Fjern armlænsbeslaget **C** armlænet.



Det mindre hul er beregnet til at låse holdeklemmen.

4. Sæt skruerne i det nye armlænsbeslag, og før dem gennem hullerne i ryglænsrammen.
5. Sæt om nødvendigt møtrikkerne i holdeklemmen igen.
6. Anbring holdeklemmen på ryglænsrammen, så fæstet **F** på holdeklemmen stikker ind i det lille hul.
7. Placer skruerne i møtrikkerne, og stram.
8. Proceduren for udskiftning er den samme for højre og venstre armlæn.



**A / B = 8 Nm**

#### 5.2.1 Udskiftning af armlænsputen (= > 01/2021)

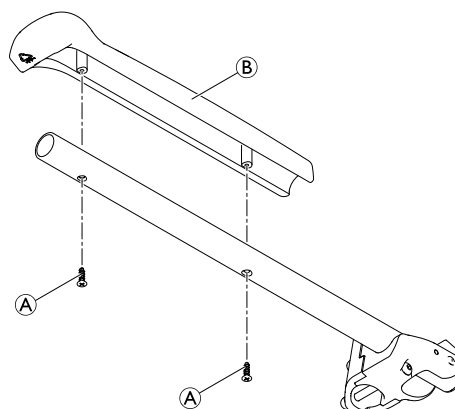
for ældre modeller indtil januar 2021



Stjerneskruestrækker



1. Tag skruerne **A** ud.
2. Udskift armlænsputen **B**.
3. Genindsæt skruerne og tilstram.



**A = Håndstramt.**

## 5.3 Udskiftning af armlænet (02/ 2021 =>)

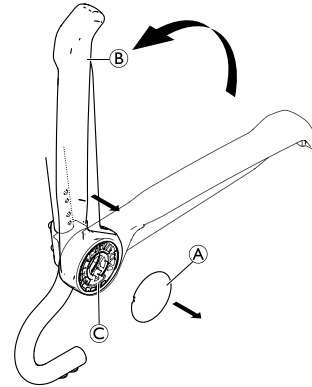
for nye modeller fra februar 2021 og frem



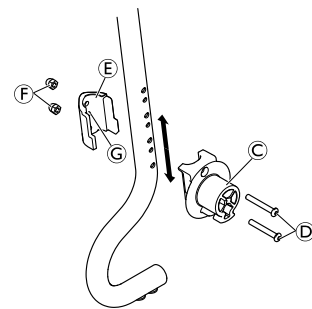
Unbrakonøgle (4 mm)



1. Før denne rem frem på indersiden af ryglænsrammen, og luk den igen.
2. Fjern hættten **A**.
3. Fold armlænet **B** op for at trække det af armlænsbeslaget **C**.

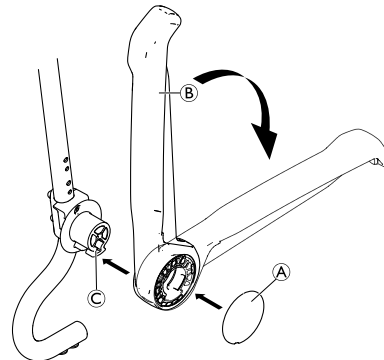


4. Fjern skruerne **D** fra armlænsbeslaget **C** med den medfølgende unbrakonøgle.
5. Afmonter holdeklemmen **E** med møtrikkerne **F** fra indersiden af ryglænsrammen.
  - i** Møtrikkerne sidder løst i holdeklemmen og kan falde ud.
6. Armlænsbeslaget og holdeklemmen monteres igen på den ønskede position ved at indsætte skruerne **D** i ryglænsbeslaget og føre dem igennem de ønskede huller i ryglænsrammen.




**D** = 8 Nm

- i** De små huller på indersiden af ryglænsrammen bruges til at fastgøre holdeklemmen.
7. Anbring holdeklemmen, så skruerne på holdeklemmen **G** kommer ind i det lille hul.
8. Spænd skruerne **D**.
9. Montér armlænet **B** igen på beslaget **C**.
10. Fold armlænet ned.
11. Sæt hættten **A** på igen.
12. Proceduren for udskiftning er den samme for højre og venstre armlæn.








## 5.4 Udskiftning af fodstøttheolderen (Ocean VIP / Ocean Dual VIP / Ocean E-VIP)

 Unbrakonøgle (4 mm) ■ □

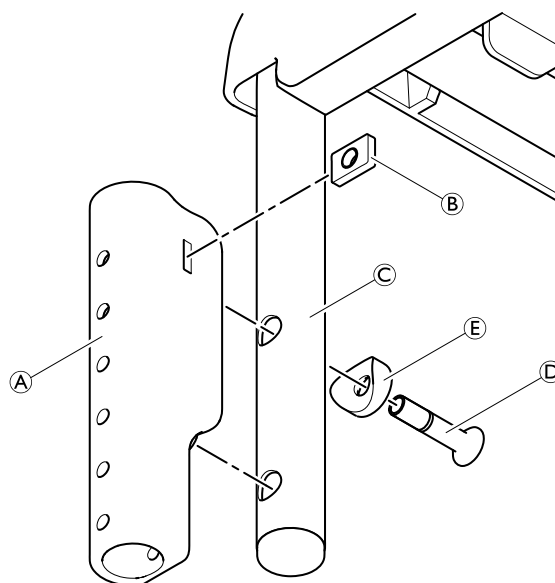
1. Fjern bolten ④ og afstandsstykket ⑤.
2. Fjern fodstøttheolderen ① fra rammerøret ③.

 Fodstøttheolderen installeres ved omvendt rækkefølge af trin 2 til 1.


 Sørg for, at begge styrenipler på bagsiden af fodstøttheolderen passer til hullerne i rammerøret ved genindsættelse.

 Sørg for, at gevindpladen ② monteres i rillen til fodstøttheolderen.


④ = 7 Nm



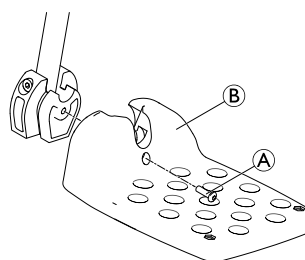
## 5.5 Udskiftning af fodplader

 Unbrakonøgle (4 mm) ■ □

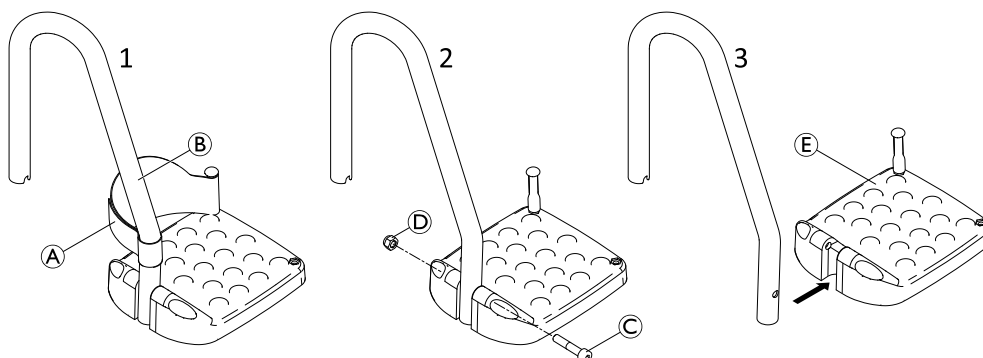
1. Fjern hælstroppen fra fodstøtten.
2. Fjern bolt ①.
3. Fjern fodpladen ②.

 Fodpladen installeres ved omvendt rækkefølge af trin 3 til 1.


① = 2 – 3 Nm



### Ocean E-VIP:



1. Fjern hælstroppen ① fra fodstøtterøret ②.
2. Fjern bolt ③ og møtrik ④.
3. Fjern fodpladen ⑤.

 Fodpladen installeres ved omvendt rækkefølge af trin 3 til 1.

③ = 4 – 5 Nm

### 5.5.1 Udskiftning af den fleksible monteringsstift



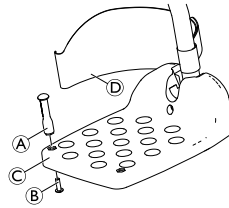
Stjerneskruestrækker



1. Fjern den fleksible monteringsstift **A** ved at løsne skruen **B** på undersiden af fodpladen **C**.
2. Fjern hælstroppen **D**.



For at installere den fleksible monteringsstift udføres trin 2 - 1 i modsat rækkefølge.



**B** = 4 Nm

### 5.5.2 Afmontering/montering af drejeledet

Hvis benstøtterørene skal skæres til i længden, skal drejeleddene fjernes.



Unbrakonøgle (6 mm)

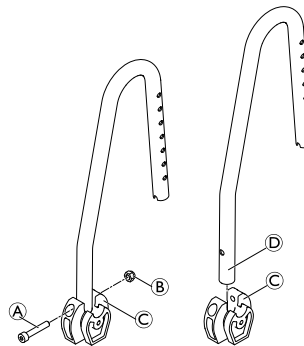


1. Fjern bolten **A** og møtrik **B**.
2. Fjern drejeledet **C** fra benstøtterøret **D**.



Drejeledet installeres ved omvendt rækkefølge af trin 2-1.

**A** = 4 – 5 Nm



### 5.6 Udskiftning af hjulene



Unbrakonøgle (10 mm) / Gevindlåsings klæbemiddel (f.eks. Loctite 2701)

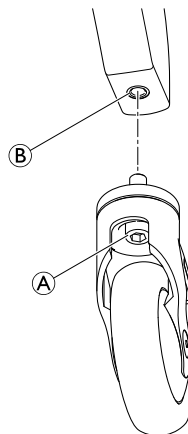


1. Fjern hjulet fra sidedelen ved at løsne bolt **A** fra gevindhullet **B**.



Hjulet installeres ved omvendt rækkefølge af trin 1.

**A** = 35 Nm, anvend gevindlåsings klæbemiddel f.eks. Loctite 2701



### 5.6.1 Afmontering/montering af hjul

Af rengøringsmæssige grunde kan hjulet afmonteres.

#### Ocean Ergo / Ocean VIP Ergo / Ocean Dual VIP Ergo



Torx-skruetrækker (T30)

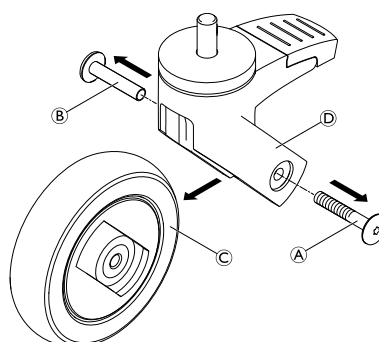


1. Fjern skruen (A) fra gevindmuffen (B) og fjern den fra hjulkassen (D).
2. Fjern hjulet (C).



Hjulet geninstalleres ved omvendt rækkefølge af trin 2-1.

(A) = 4 – 6 Nm



#### Ocean / Ocean VIP / Ocean Dual VIP / Ocean E-VIP



Unbrakonøgle (5 mm)

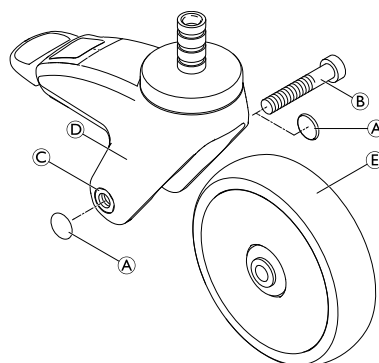


1. Fjern plasthætterne (A).
2. Løsn bolten (B) fra møtrikken (C) og fjern den fra hjulkassen (D).
3. Fjern hjulet (E).



Hjulet geninstalleres ved omvendt rækkefølge af trin 3-1.

(B) = 3 Nm



## 5.7 Udskiftning af de indvendige/udvendige dækplader (Ocean VIP Ergo / Ocean Dual VIP Ergo)



Flad skruetrækker

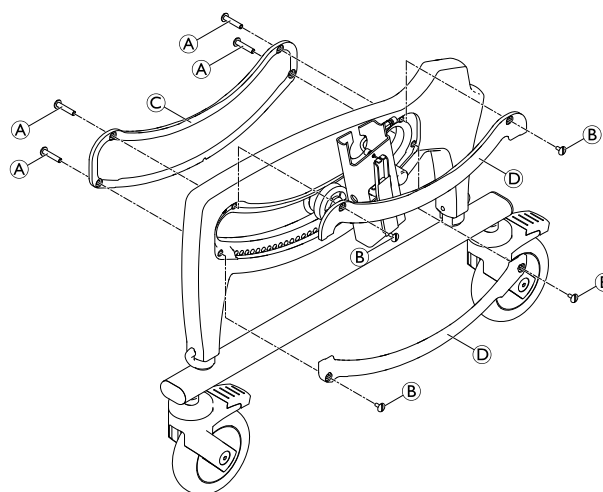


1. Fjern dækpladen fra sæderammen, se brugsanvisningen.
2. Fjern postskruemøtrikkerne (A) og postskruerne (B).
3. Fjern den udvendige dækplade (C).
4. Fjern de indvendige dækplader (D).



De indvendige/udvendige dækplader installeres ved omvendt rækkefølge af trin 4-1.

(B) = håndspændt



## 5.8 Udskiftning af sædefikseringen (Ocean VIP Ergo / Ocean Dual VIP Ergo)



Flad skruetrækker / unbrakonøgle (4 mm)



1. Fjern bremsebetrækket fra sæderammen, se brugsanvisningen.
2. Fjern postskruemøtrikkerne (A) og postskruerne.
3. Fjern det udvendige sidedelsbetræk (B).
4. Fjern de indvendige sidedelsbetræk.
5. Fjern boltene (C), spændskiverne (D) og flangehjulet (E).
6. Indsæt nye flangehjul, spændskiver og bolte, og tilstram.

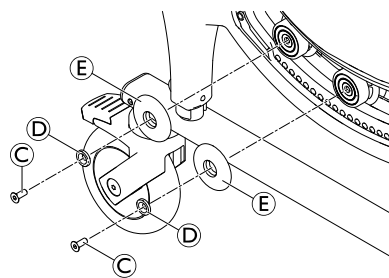
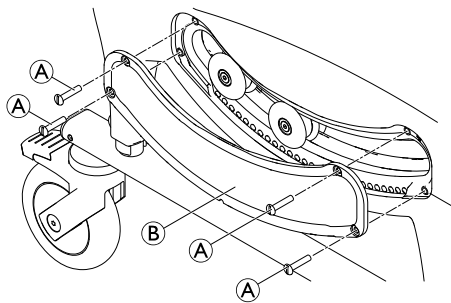


Undersøg den udvendige sidedelsbetræk (B) for skader og udskift den om nødvendigt.

7. Genmonter det udvendige sidedelsbetræk ved hjælp af postskruen (A).
8. Gentag fremgangsmåden på den anden side.

(A) = Håndstramt.

(C) = 6 Nm



## 5.9 Udskiftning af sidedelene (Ocean VIP Ergo / Ocean Dual VIP Ergo)



Flad skruetrækker / unbrakonøgle (4 mm)



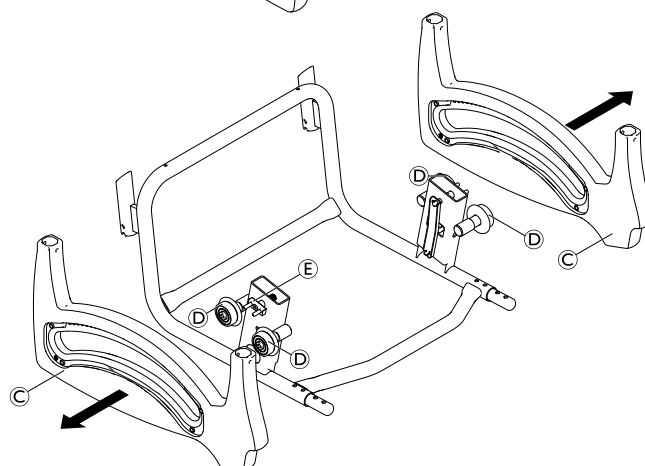
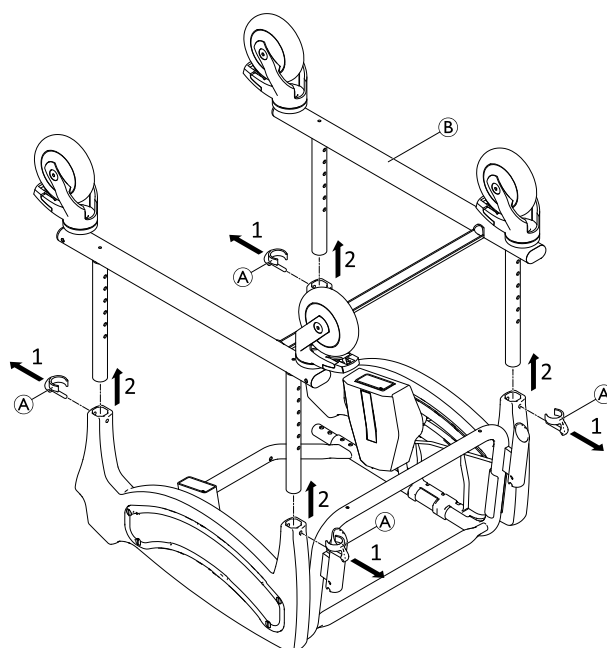
**i** For lettere håndtering, fjern ryglænet fra sæderammen, se brugsanvisningen.

1. Fjern sædepladen, se brugsanvisning.
2. Sæt sæderammen med sidedelene på hovedet på en stabil overflade.
3. Fjern klemmerne **A** og træk hele den nedre ramme **B** ud af sidedelene.
4. Fjern bremsebetrækkene fra sæderammen, se brugsanvisningen.
5. Fjern de indvendige og udvendige sidedelsbetræk og sædebøjlerne på begge sider, se kapitlerne 5.7 *Udskiftning af de indvendige/udvendige dækplader (Ocean VIP Ergo / Ocean Dual VIP Ergo), side 107* og 5.8 *Udskiftning af sædefikseringen (Ocean VIP Ergo / Ocean Dual VIP Ergo), side 108*
6. Fjern sidedelene **C** ved at trække dem ud af lejerne **D**.

**i** Sidedelene installeres ved omvendt rækkefølge af trin 6-1.

### VIGTIGT!

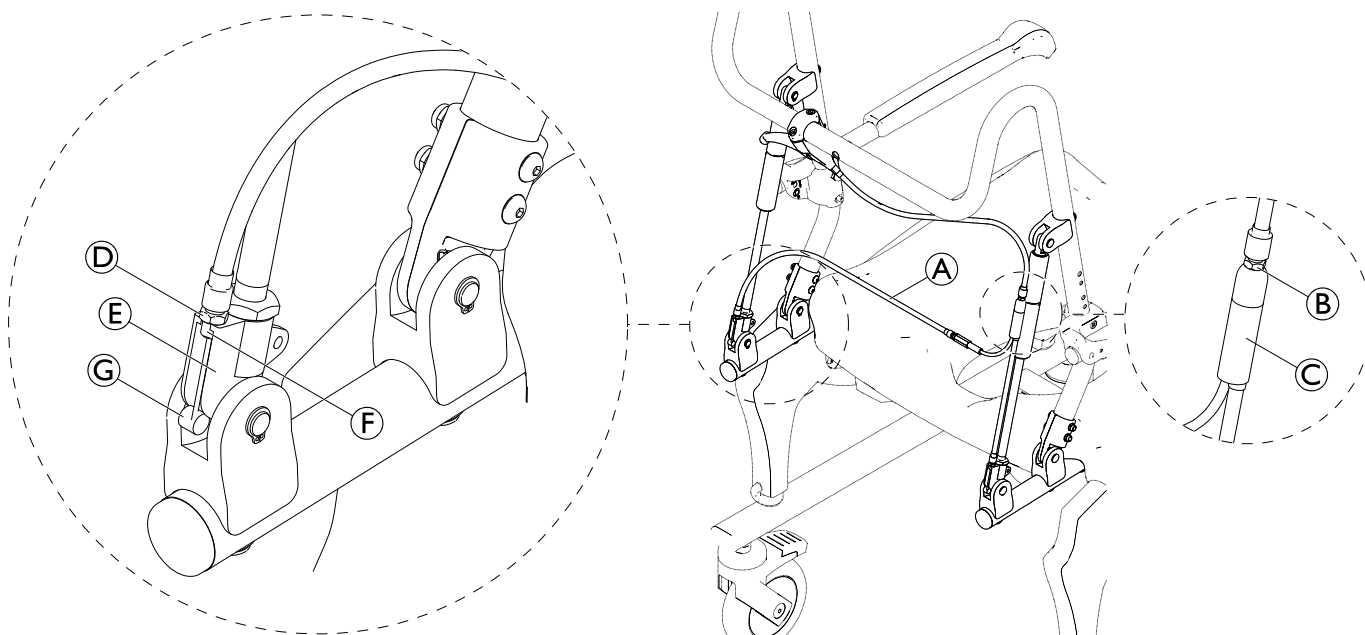
- Sørg for, at bremseklodserne **E** indsættes i samme positioner på venstre og højre side.



## 5.10 Udskiftning af gaspatron - udløsningsmekanisme - bowdenkabel til ryglænets hældning (Ocean Dual VIP / Ocean Dual VIP Ergo)



Skruenøgle (6, 8) / unbrakonøgle (4 mm) / låseringstang

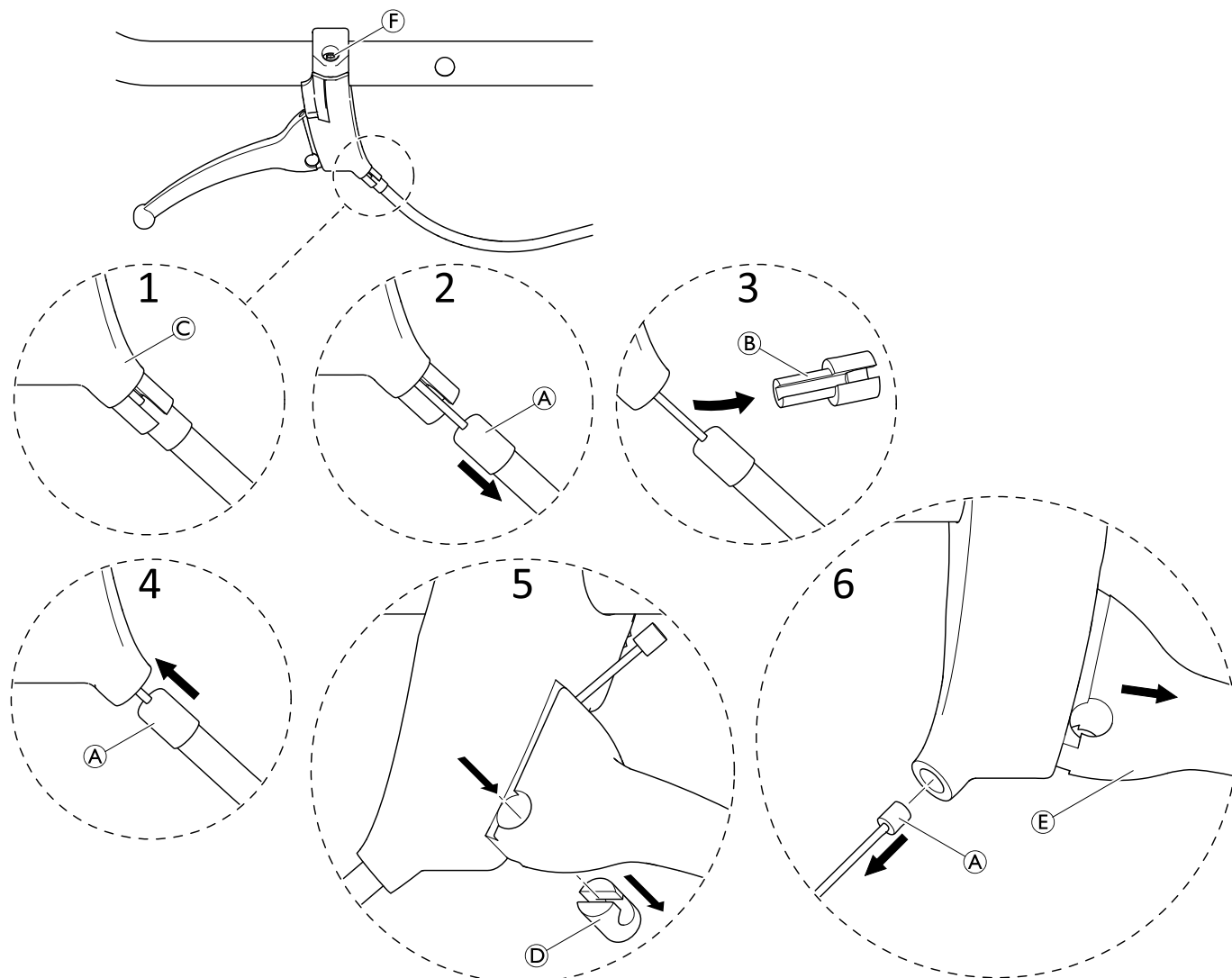



1. Løsn møtrikken **B** på fordeleren **C** helt, og drej den hele vejen op. Drej overstykket ind i fordeleren.
2. Løsn møtrikken **D** på udløsermekanismen **E**, og drej den hele vejen op. Skru gevinddelen **F** af udløsermekanismen.

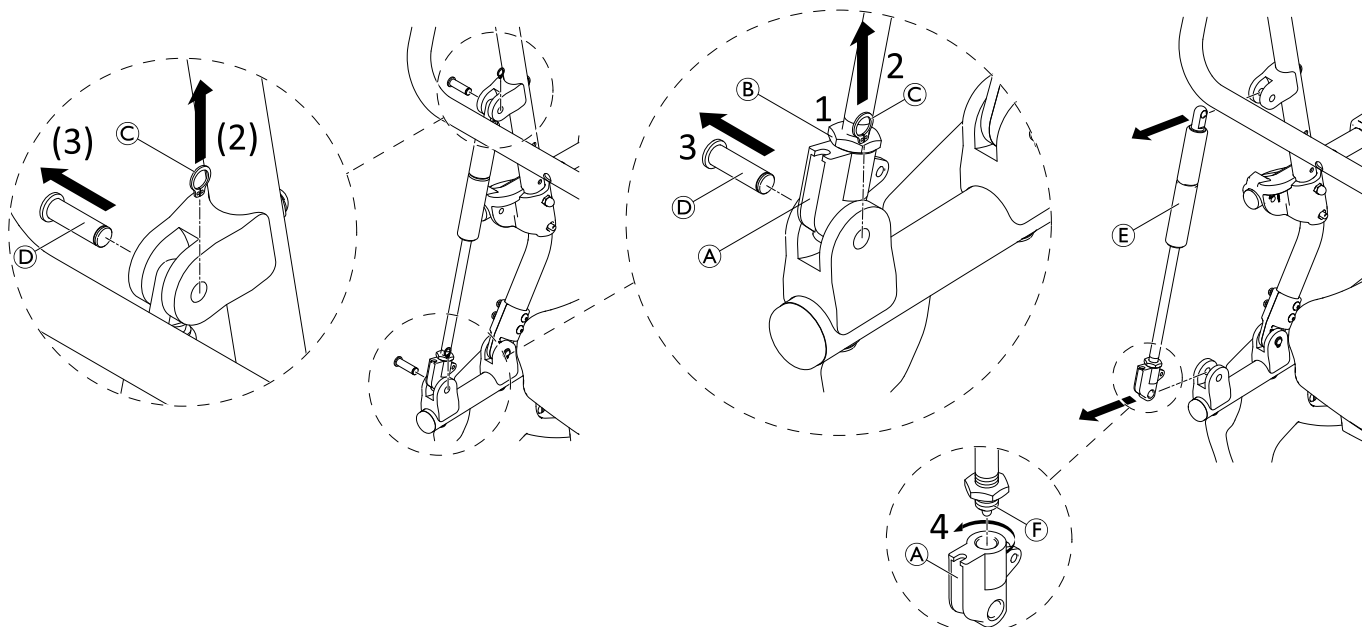



Træk bowdenkablet **A** let opad for at gøre det nemmere.

3. Hægt bowden-wirehovedet **C** af.

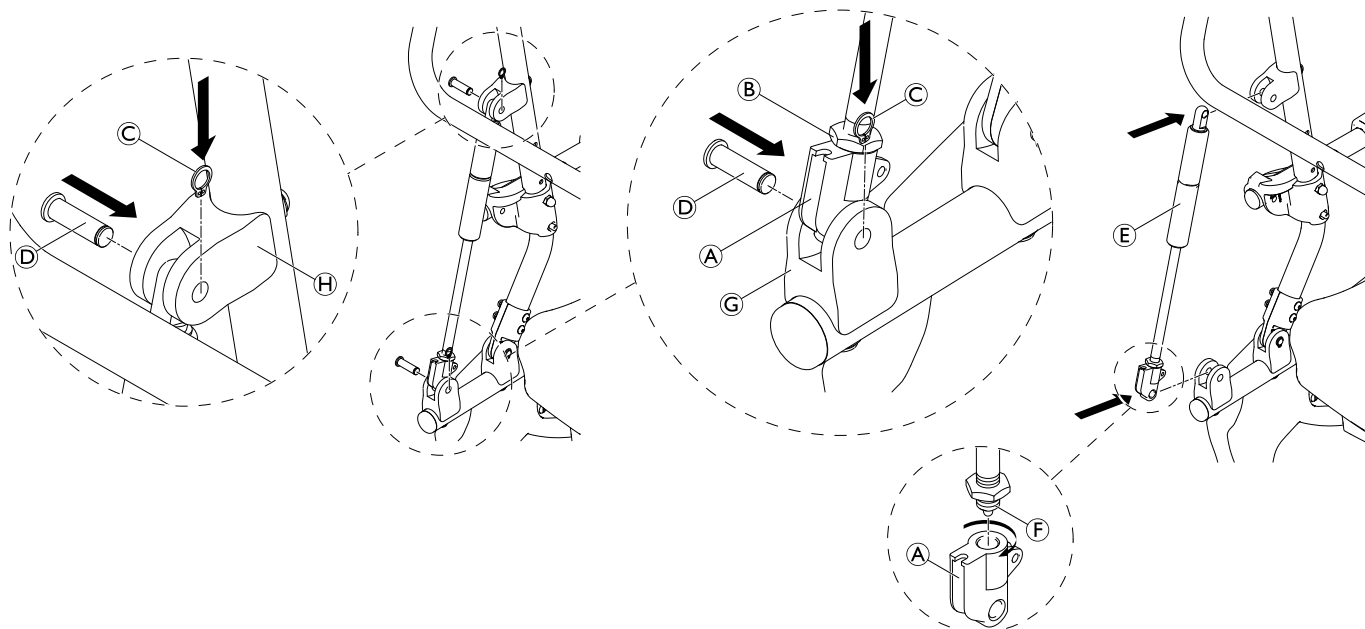


1. Hvis aktiveringshåndtaget inkl. bowdenkablet skal udskiftes: Skru det gamle aktiveringshåndtag af skubbebøjlen, og skru det nye på.
2. Hvis bowdenkablet **A** eller aktiveringshåndtaget **C** skal udskiftes: Træk bowdenkablet lidt ud af aktiveringshåndtaget.
3. Fjern muffen **B**.
4. Skub bowdenkablet indad og åben bremselåsen (bremselås ikke vist).
5. Skub muffen **D** ud.
6. Træk bowdenkablet ud og fjern bremsehåndtaget **E**.
7. Hvis aktiveringshåndtaget skal udskiftes: Skru skruerne **F** af og fjern aktiveringshåndtaget. Saml det nye aktiveringshåndtag. Fjern bremsehåndtaget **E**.
8. Ved genmontering indsættes bowdenkablet i aktiveringshåndtaget og bremsehåndtaget.
  -  Hvis et nyt bowdenkabel skal installeres, skal du sørge for, at kablet er frit for modstand, se side 17 trin 1 og 2.
9. Genmonter muffen **D**. Vær opmærksom på den korrekte orientering.
10. Geninstaller bremsehåndtaget **E**.
11. Genmonter muffen **B** ved at trække let i kablet.




1. Hvis udløsningsmekanismen **A** skal udskiftes: Løsn møtrikken **B**.
2. Fjern låseringen **C**.
3. Fjern bolten **D** (Hvis hele gasfjederen skal udskiftes, skal du også fjerne den øvre låsering og -bolt og fjerne gaspatronen **E**.)
  -  Skub om nødvendigt ryglænet lidt fremad for at gøre det lettere at fjerne bolten.
4. Hvis udløsningsmekanismen skal udskiftes: Drej udløsningsmekanismen **A** ned fra gevinddelen **F**.

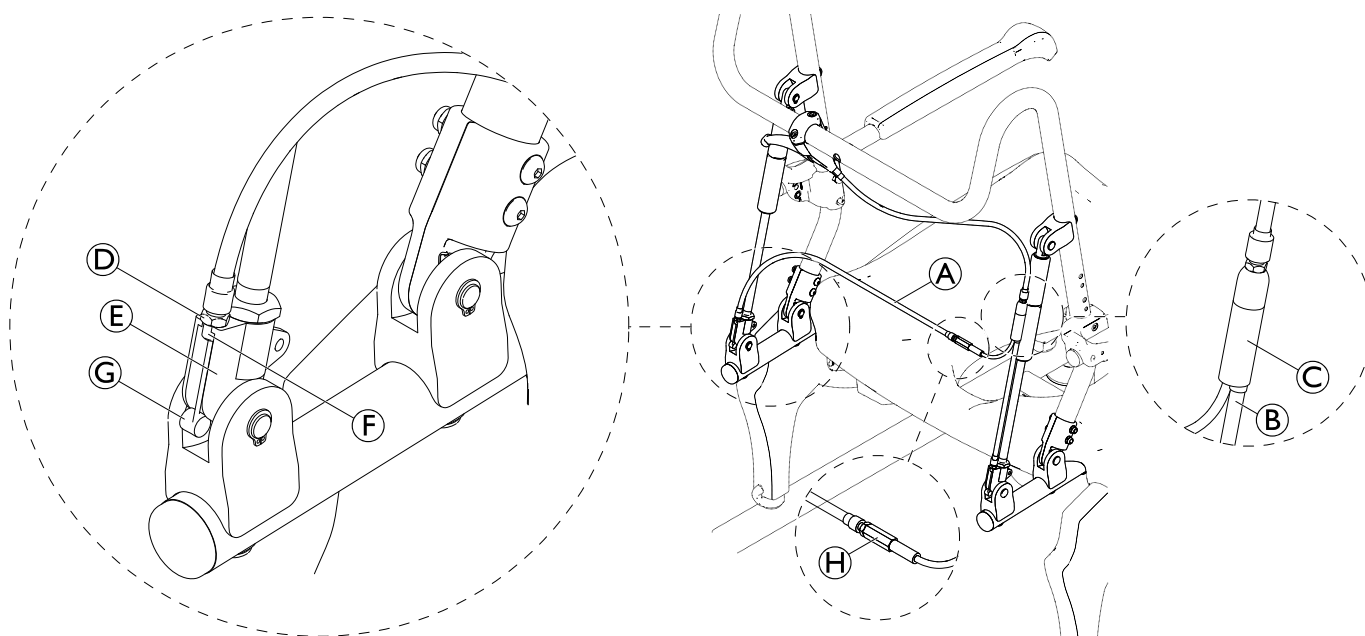





1. Hvis udløsningsmekanismen **A** skal udskiftes: Skru en ny udløsningsmekanisme på igen (løsn 2 gevindomdrejninger eller 1,5 - 2 mm afstand mellem udløsningsmekanismen og starten af gevindet på stempelstangen **F**).
2. Sæt boltene **D** og låseringene **C** på igen for at sænke fikseringerne **C** og om nødvendigt de øverste fikseringer **H**, hvis hele gaspatronen er blevet udskiftet.

 Skub om nødvendigt ryglænet lidt fremad for at gøre det lettere at sætte boltene.

3. Stram møtrikken **B** på udløsermekanismen.



1. Forberedelse af bowdenkablet **A**: Sørg for, at kabelenden **B** er korrekt placeret i fordeleren **C**.
2. Hæng bowden-wirehovedet **G** på udløsermekanismen **E**.

 Den længste ende monteres på den venstre udløsermekanisme, den korteste på den højre.

3. Placér gevindet **F** på møtrik **D** på udløsermekanismen og skru det ind (sørg for, at nok gevind er låst). Til dette

skal du trække kablet lidt op.

**VIGTIGT!**


– Sørg for, at plastikdelen i udløsningsmekanismen forbliver nede, mens du skruer.

**VIGTIGT!**

– Sørg for, at indstillingerne er de samme på venstre og højre side. Frigangen, når kablet trækkes, skal være den samme på begge sider. Dette kan justeres via gevindet/møtrikken for enden af kablet ved udløsningsmekanismen og via gevindet/møtrikken på justeringselementet  $\oplus$  på det længere kabel ved at skrue ind eller ud.


4. Lås møtrikkerne på udløsningsmekanismen og justeringselementet efter afslutning af justeringen.
5. Justér bowdenkablet via fordeleren  $\odot$ , og lås møtrikken, så frigangen på håndtaget og udløsningsmekanismen reduceres (hvis du trækker i kablet). På grund af indstillingen på fordeleren må plastdelen på udløsningsmekanismen ikke trækkes opad.
6. Kontrollér driften: Begge gaspatroner skal udløses samtidigt.

## 5.11 Udskiftning af gaspatron - udløsningsmekanisme - bowdenkabel til sædekip (Ocean Dual VIP / Ocean Dual VIP Ergo)

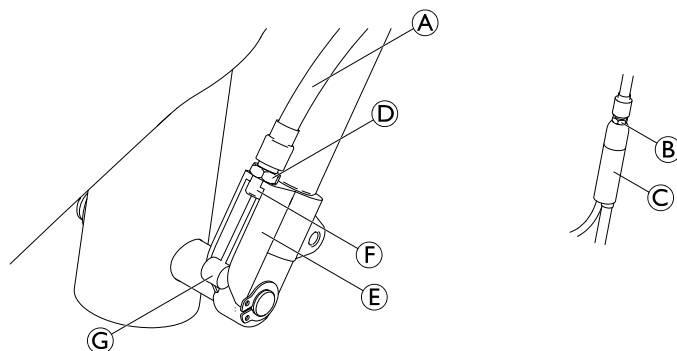
 Skruenøgle (6, 8) / unbrakonøgle (4 mm) / låseringstang




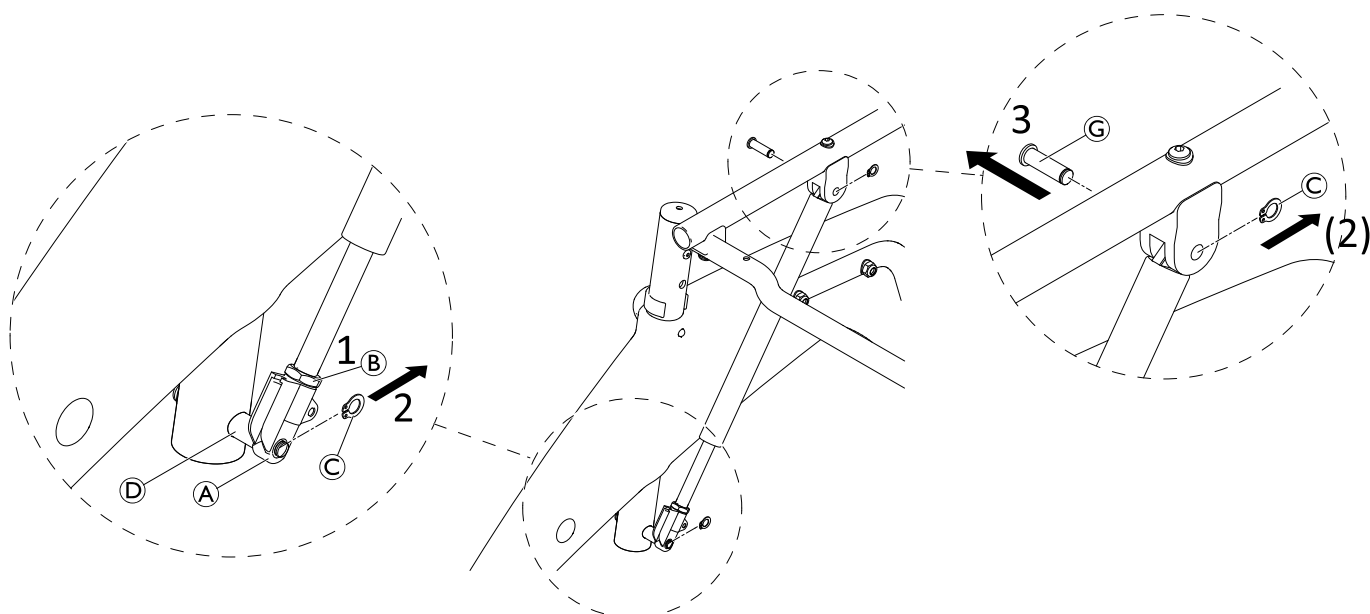
1. Løsn møtrikken **B** på fordeleren **C** helt, og drej den hele vejen op. Drej overstykket ind i fordeleren.
2. Løsn møtrikken **D** på udløsermekanismen **E**, og drej den hele vejen op. Skru gevinddelen **F** af udløsermekanismen.

 Træk bowdenkablet **A** let opad for at gøre det nemmere.

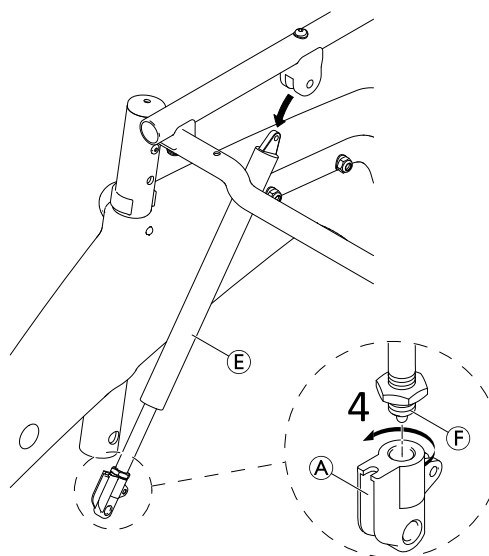
3. Hægt bowden-wirehovedet **G** af.

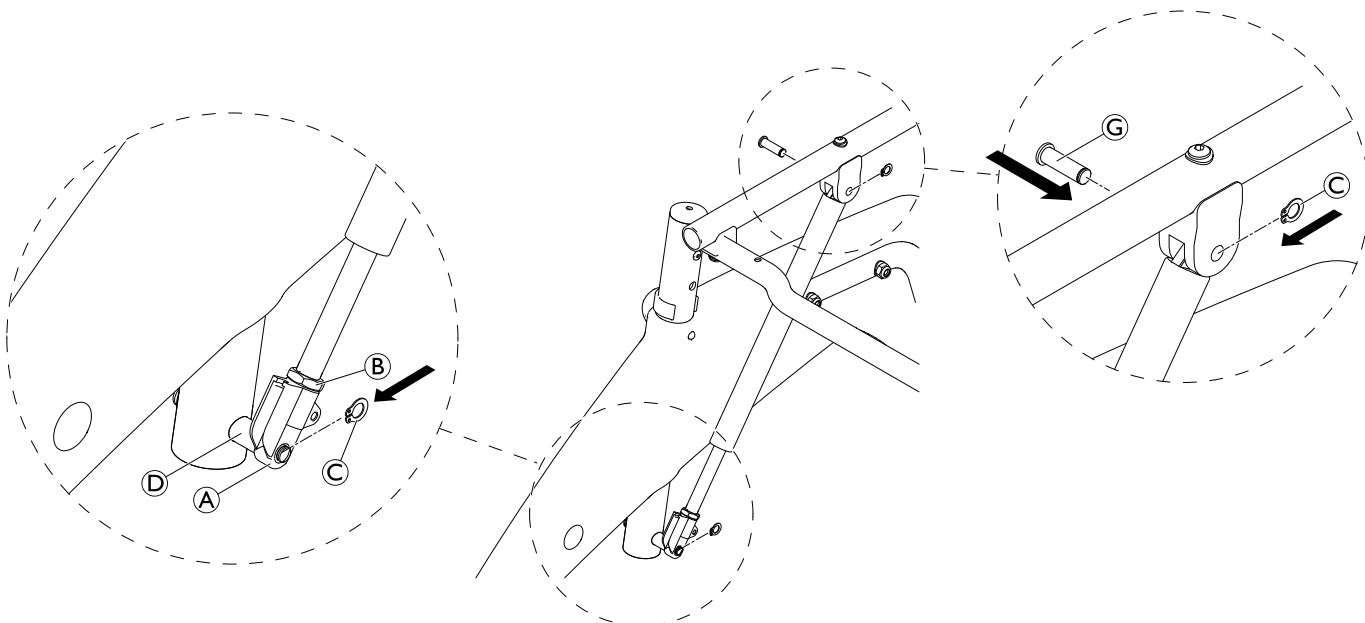


 Hvis aktiveringshåndtaget / bowdenkablet skal udskiftes, henvises til kapitel 5.10 Udskiftning af gaspatron - udløsningsmekanisme - bowdenkabel til ryglænets hældning (Ocean Dual VIP / Ocean Dual VIP Ergo), side 110




1. Hvis udløsningsmekanismen **A** skal udskiftes: Løsn møtrikken **B**.
2. Fjern låseringen **C**.
3. Fjern gaspatronen **E** fra bolten **D**.
4. Hvis hele gaspatronen skal udskiftes, skal du også fjerne den øvre låsering og bolten **G** og fjerne gaspatronen **E**.
5. Hvis udløsningsmekanismen skal udskiftes: Drej udløsningsmekanismen **A** ned fra gevinddelen **F**.






1. Hvis udløsningsmekanismen ① skal udskiftes:  
Skrue en ny udløsningsmekanisme på igen (løsn 2 gevindomdrejninger eller 1,5 - 2 mm afstand mellem udløsningsmekanismen og starten af gevindet på stempelstangen ⑥).
2. Indsæt gaspatronen ⑤ på bolten ④ og fæst låseringen ③, og indsæt om nødvendigt bolten ⑦ og låseringen ③ ved fæstning øverst, hvis hele gaspatronen er blevet udskiftet.

 Skub om nødvendigt ryglænet lidt fremad for at gøre det lettere at isætte bolten.

3. Stram møtrikken ② på udløsermekanismen.
4. Forberedelse af bowdenkablet ①: Sørg for, at kabelenden ② er korrekt placeret i fordeleren ③.
5. Hæng bowden-wirehovedet ⑦ på udløsermekanismen ⑤.

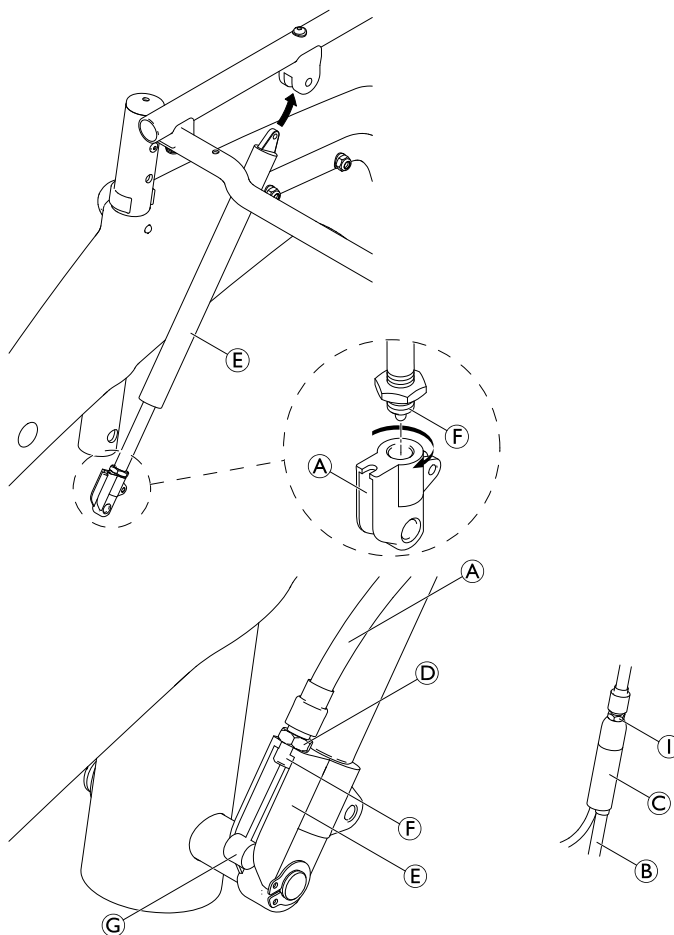
 Den lange ende monteres på højre udløsningsmekanisme, den korte på venstre.

6. Placér gevindet ⑧ på møtrik ④ på udløsermekanismen og skru det ind (sørg for, at nok gevind er låst). Til dette skal du trække kablet lidt op.


#### VIGTIGT!

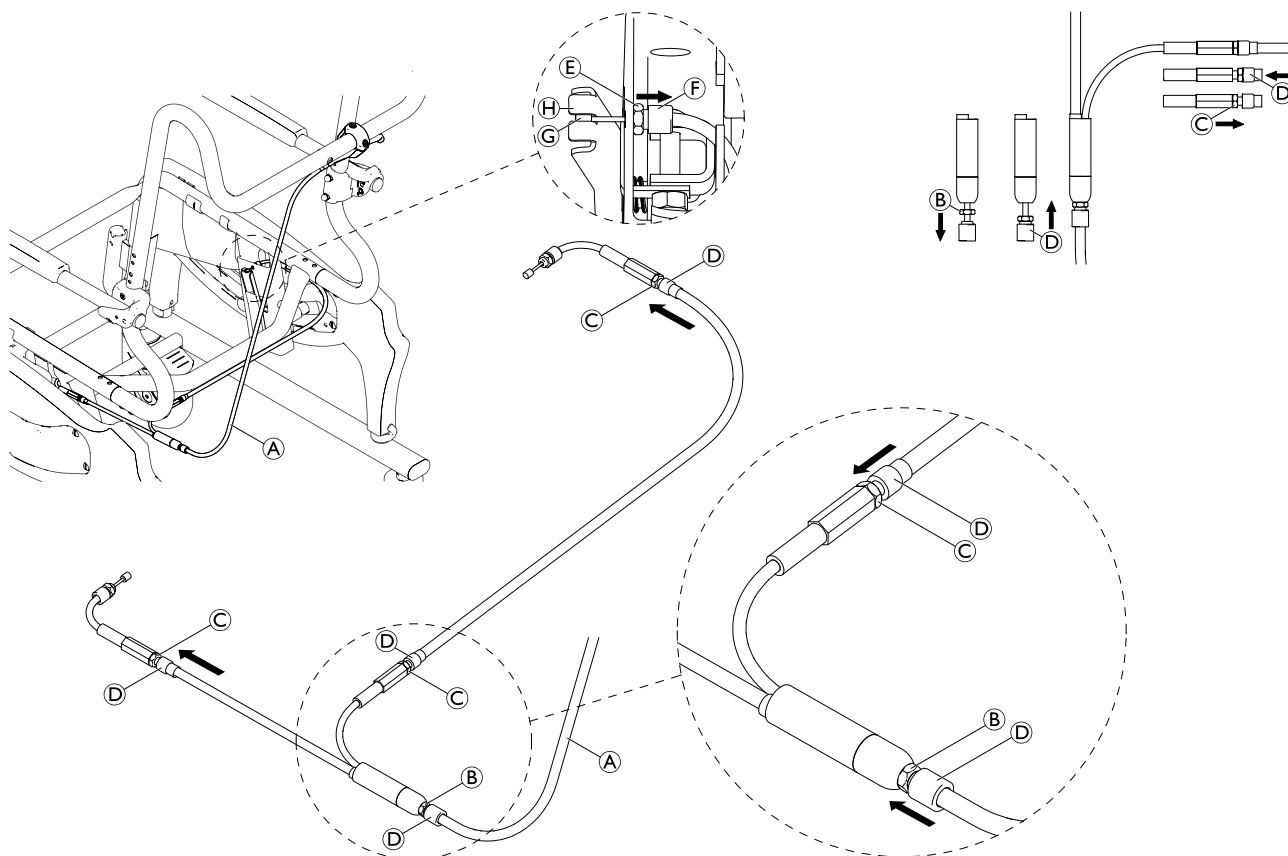
- Sørg for, at plastikdelen i udløsningsmekanismen forbliver nede, mens du skruer.
- Sørg for, at indstillingerne er de samme på venstre og højre side. Frigangen, når kablet trækkes, skal være den samme på begge sider. Dette kan justeres via gevindet/møtrikken i enden af kablet ved udløsningsmekanismen.

7. Efter afslutning af justeringen låses møtrikken ④ på udløsningsmekanismen ⑤.
8. Justér bowdenkablet via fordeleren ③, og lås møtrikken ①, så frigangen på håndtaget og udløsningsmekanismen reduceres (hvis du trækker i kablet). På grund af indstillingen på fordeleren må plastdelen på udløsningsmekanismen ikke trækkes opad.
9. Kontrollér driften: Begge gaspatroner skal udløses samtidigt.




## 5.12 Udskiftning af bowdenkabel til sædekip (Ocean VIP Ergo / Ocean Dual VIP Ergo)

 Unbrakonøgle (4 mm) ■■■




1. Fjern sædepladen for nem adgang. Der henvises til brugsanvisningen.
2. Fjern dækpladen. Der henvises til brugsanvisningen.
3. Fjern kabelbindere.
4. Gør bowdenkablet **A** frit for modstand. Til dette formål fjernes alle møtrikkerne **C** på kabeljusteringsdelene til slaglængden og møtrik **B** på fordeleren helt. Skru gevindmufferne **D** helt ind i alle kabeljusteringsdele til slaglængden og fordeleren.
5. Skru møtrikkerne **E** af kabelenderne.
6. Fjern gevindmuffen **F** fra kabelenderne, og hæng kabelenderne **G** ud af bremsehåndtaget **H**.

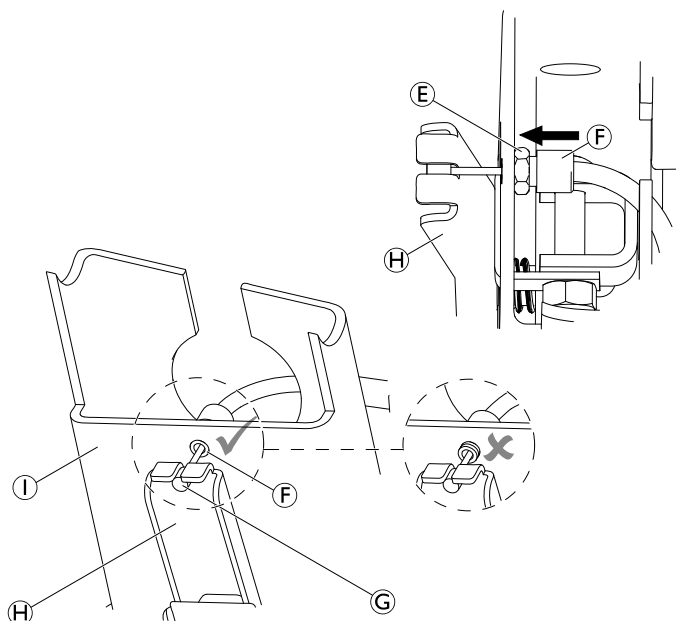
 Hvis bowdenkablet skal udskiftes uden aktiveringshåndtaget, skal bowdenkablet demonteres fra aktiveringshåndtaget. Se kapitel 5.10 Udskiftning af gaspatron - udløsningsmekanisme - bowdenkabel til ryglænets hældning (Ocean Dual VIP / Ocean Dual VIP Ergo), side 110

Hvis bowdenkablet skal udskiftes med aktiveringshåndtaget, skal aktiveringshåndtaget udskiftes. Se brugsanvisningen.

7. Installér det nye bowdenkabel (korte ende på venstre side) og fæstn kabelenderne **G** i bremsehåndtagene **H**. Skru gevindmuffen **F** ind, indtil den sidder plant med bremsehuset **I**.

 Gevindmuffen må ikke gå igennem bremsehuset.

8. Lås møtrik **E**.



## Justering af systemet

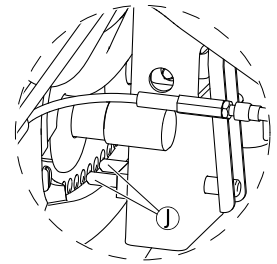



Unbrakonøgle (4 mm)

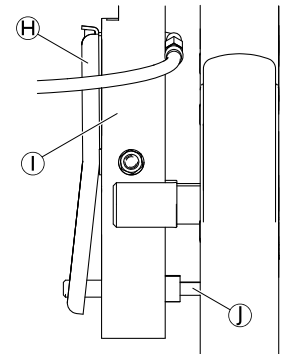
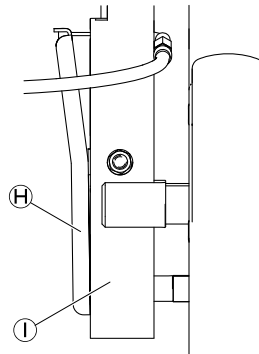


### VIGTIGT!


- Bremsklodserne ① skal trækkes helt ud af hullerne på sidedelen, når bremsehåndtaget er aktiveret, og bremseklodserne skal være i indgreb, når bremsehåndtaget løsnes.
- Når bremsehåndtaget er aktiveret, skal bremseklodserne trækkes samtidigt ud på begge sider, og der skal være et synligt mellemrum mellem sidedele og bremsestifter.
- Bremsehåndtagene ② skal flugte med bremsehuset ①, når bremsehåndtaget udløses/aktiveres.

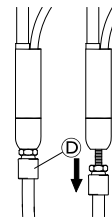


 Fjern dækplader for bedre overblik og lettere adgang.

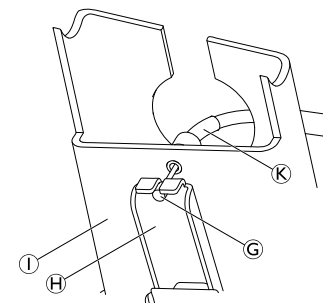
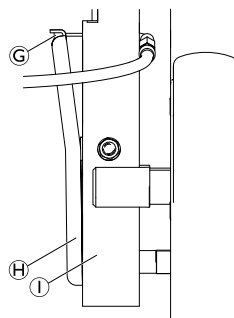


1. På fordeleren løsnes gevindmuffen ② mest muligt. Dette vil reducere afstanden mellem kabelenden ③ og bremsehåndtaget ④. Derved reduceres bremsehåndtagets aktiveringsafstand også.

 Under justeringen skal du sørge for, at de sorte plastikmuffer ⑤ sidder rigtigt.



2. Sørg for, at nedre del af bremsehåndtaget ④ ligger plant med bremsehuset ①.
3. Træk i kabelenden ③ for at kontrollere frigangen. Justeringen er god, når det ikke er muligt at trække kabelenden ud.
4. Hvis der er forskellig afstand på højre og venstre side, skal dette justeres. Løsn derfor gevindmuffen på slagkabeljusteringen på den berørte side.
5. Når alle justeringerne er gode, låses møtrikkerne ⑥ og ⑦ (se først illustrationerne i dette kapitel).
6. Kontrollér kippefunktionen. I alle stillinger er det nødvendigt, at bremseklodserne låser korrekt.
7. Saml kabelbinderne.
8. Påsæt alle dækplader.



## 5.13 Sådan skæres hovedstøtten / fodstøtten / amputationsstøtten til i længden

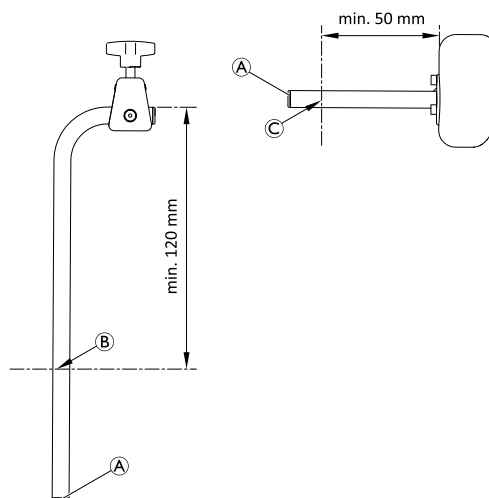


Unbrakonøgle (M6 / SW4), sav, lineal, boremaskine med borebit  $\varnothing$  8,1)



### Hovedstøtte

1. Fjern proppen/propperne **A**.
2. Skær højdeindstillingsrøret **B** til i længden (min. resterende længde 120 mm).
3. Skær dybdeindstillingsrøret **C** til i længden (min. resterende længde 50 mm).
4. Afgrat alle skarpe kanter.
5. Sæt proppen/propperne i igen.



### Fodstøtte

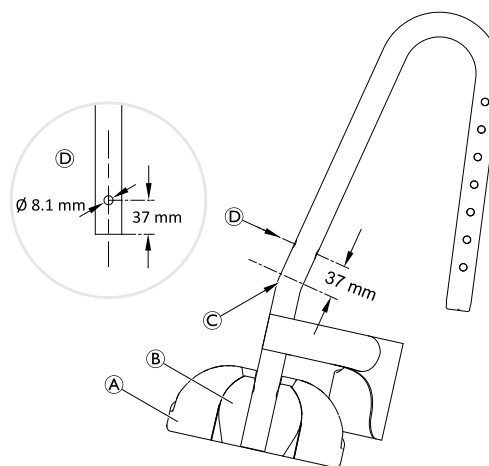
1. Fjern fodpladen **A** og drejeleddet **B**.
2. Skær røret til i længden lige over bøjningen **C**.
3. Bor et  $\varnothing$  8,1 mm hul **D** 37 mm fra rørets nedre kant.
4. Afgrat alle skarpe kanter.
5. Genmonter drejeleddet og fodpladen.



For at fjerne/montere fodpladerne henvises til kapitel 5.5 Udskiftning af fodplader, side 105

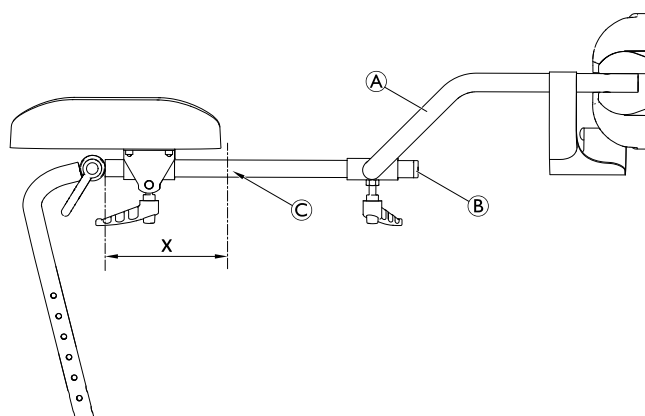


For at fjerne/montere drejeleddet henvises til kapitel 5.5.2 Afmontering/montering af drejeleddet, side 106



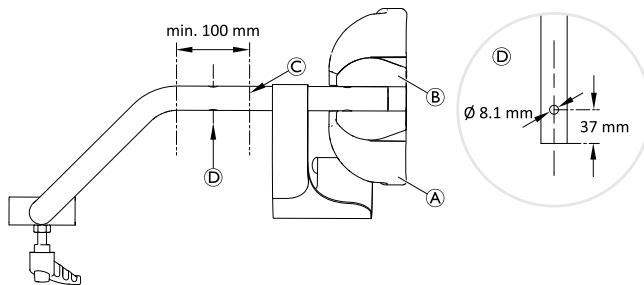
### Amputationsstøtte


1. Fjern fodstøtteenheden **A**.
2. Fjern proppen **B**.
3. Skær røret **C** til længden (min. resterende længde x mm).  
Hvis fodstøtte bruges  $x = 140$  mm  
Hvis fodstøtte ikke bruges  $x = 80$  mm
4. Afgrat alle skarpe kanter.
5. Sæt proppen i igen.
6. Genmonter fodstøtteenheden (hvis den behøves).




### Amputationsstøtte (fodstøtte)

1. Fjern fodpladen **A** og drejeleddet **B**.
2. Skær røret **C** til længden (min. resterende længde 100 mm).
3. Bor et  $\varnothing$  8,1 mm hul **D** 37 mm fra rørets nedre kant.
4. Afgrat alle skarpe kanter.
5. Genmontér drejeleddet og fodpladen.

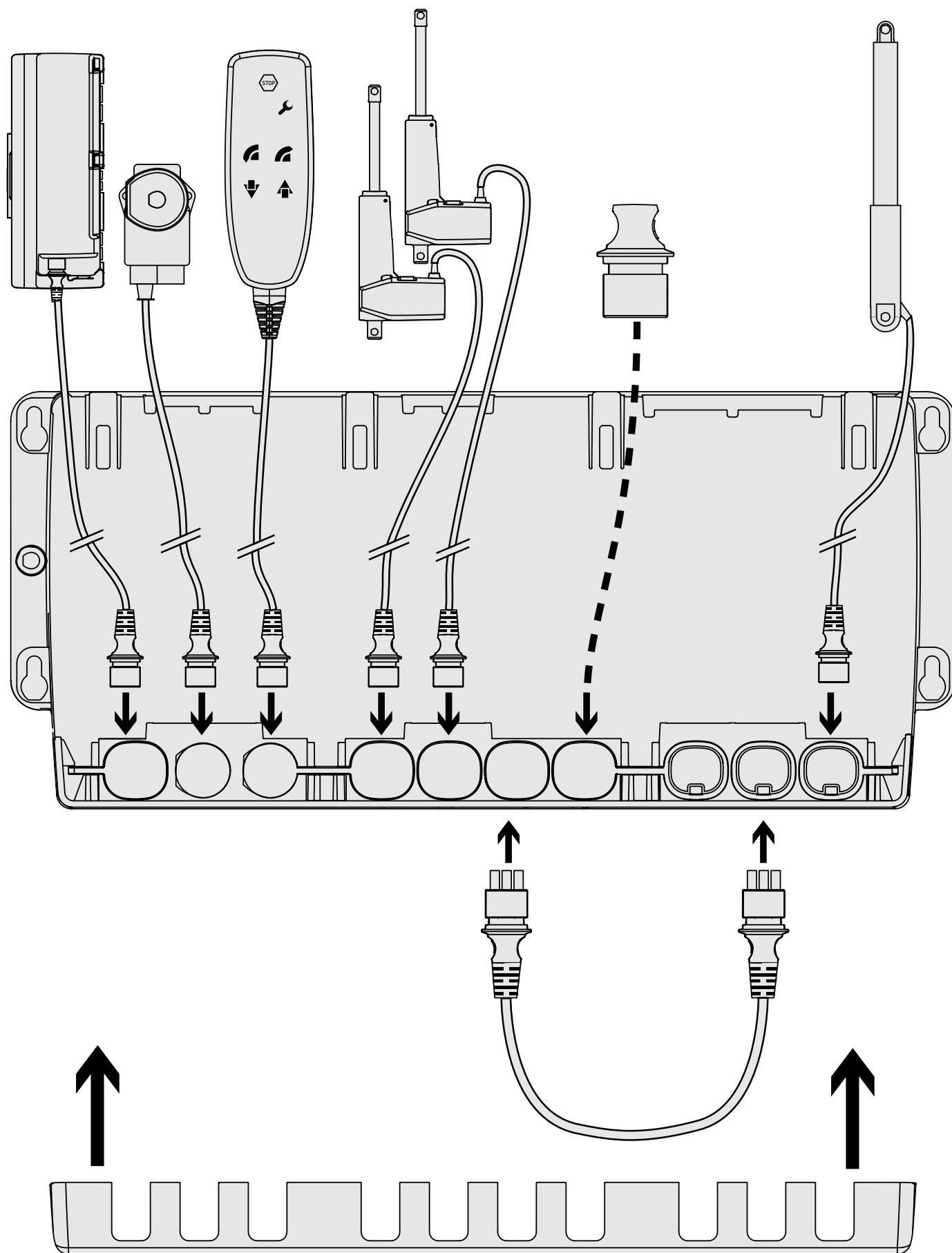


 For at fjerne/montere fodpladerne henvises til kapitel 5.5 *Udskiftning af fodplader*, side 105

 For at fjerne/montere swivelledet henvises til kapitel 5.5.2 *Afmontering/montering af drejeleddet*, side 106





### 5.14 Tilkoplingsdiagram (Ocean E-VIP)

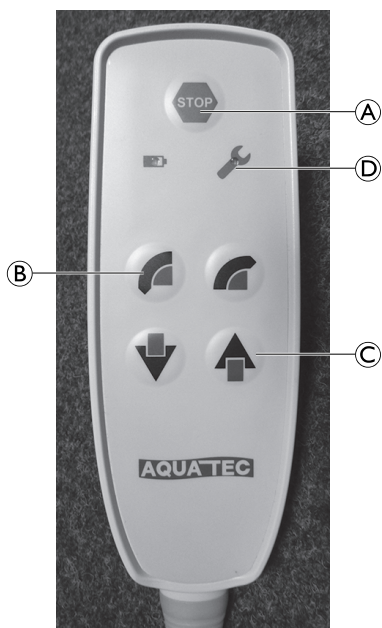


## Implementering af nulstilling

1. Hold følgende tre knapper ned samtidigt i ca. tre sekunder på håndbetjeningen: Rød STOP-knap **A**, Fremad-knap **B** og Op-knap **C**. Der høres et akustisk signal, mens de tre knapper holdes nede.
2. Når „SERVICE“ indikatorlampen **D** går ud, slippes knapperne. Enheden er klar til brug igen.
3. Flyt derefter drevene for at justere højden til den laveste position, indtil du hører, at drevene afbrydes.
4. Flyt motor til vipning til bageste position, indtil du hører, at drevet slukker. (Den røde LED-lampe blinker, og der høres et akustisk signal).

 Udskift sikringsclips med nye, hvis aktuatorerne udskiftes.

 Sørg for, at alle kabler geninstalleres på samme måde som leveret, hvis komponenterne udskiftes.



---

# Innholdsfortegnelse

---

FORHANDLERE: Behold denne håndboken. Prosedyrene i denne håndboken MÅ utføres av en kvalifisert tekniker.

<b>1 Generell informasjon</b> . . . . .	<b>124</b>
1.1 Innledning. . . . .	124
1.2 Symboler i denne håndboken . . . . .	124
<b>2 Sikkerhet</b> . . . . .	<b>125</b>
2.1 Generell sikkerhetsinformasjon . . . . .	125
2.2 Informasjon om personlig sikkerhet . . . . .	125
2.3 Elektrisk sikkerhetskontroll. . . . .	125
<b>3 Service.</b> . . . . .	<b>126</b>
3.1 Sjekkliste for sikkerhetskontroll . . . . .	126
3.2 Reservedeler . . . . .	126
3.3 Fargekode for ramme . . . . .	126
<b>4 Overhaling</b> . . . . .	<b>127</b>
4.1 Rengjøring og desinfisering . . . . .	127
4.2 Oversikt over materiale . . . . .	127
4.3 Overhalingplan. . . . .	127
<b>5 Instruksjoner</b> . . . . .	<b>131</b>
5.1 Generell reparasjonsinformasjon . . . . .	131
5.2 Utskiftning av armlenet (=> 01/2021). . . . .	131
5.2.1 Utskiftning av polstring på armlenet (=> 01/2021) . . . . .	131
5.3 Utskiftning av armlenet (02/ 2021 =>) . . . . .	132
5.4 Utbytting av fotstøtten (Ocean VIP / Ocean Dual VIP / Ocean E-VIP). . . . .	133
5.5 Utbytting av fotplatene . . . . .	133
5.5.1 Utbytting av den fleksible monteringsbolten . . . . .	134
5.5.2 Fjerning/installering av veivledd . . . . .	134
5.6 Utbytting av styrehjulene. . . . .	134
5.6.1 Fjerning/installering av styrehjul . . . . .	135
5.7 Utbytting av indre/ytre sidedeksel (Ocean VIP Ergo / Ocean Dual VIP Ergo) . . . . .	135
5.8 Utbytting av setefestet (Ocean VIP Ergo / Ocean Dual VIP Ergo) . . . . .	136
5.9 Utbytting av sidene (Ocean VIP Ergo / Ocean Dual VIP Ergo) . . . . .	137
5.10 Utbytte av gassfjæren - utløsermekanisme - Bowden-kabel til vipping av ryggene (Ocean Dual VIP / Ocean Dual VIP Ergo) . . . . .	138
5.11 Utbytting av gassfjæren – utløsermekanisme – Bowden-kabel for setevipping (Ocean VIP / Ocean Dual VIP) . . . . .	143
5.12 Utbytting av Bowden-kabelen for setevipping (Ocean VIP Ergo / Ocean Dual VIP Ergo) . . . . .	145
5.13 Tilskjæring av hodestøtte / fotstøtte / amputasjonsstøtte til lengde . . . . .	147
5.14 Koblingsdiagram (Ocean E-VIP). . . . .	149

# 1 Generell informasjon

## 1.1 Innledning

Denne håndboken inneholder informasjon om montering, justering og avansert vedlikehold av produktet. Les håndboken nøye, og følg sikkerhetsinstruksjonene i den, slik at du kan håndtere produktet på en trygg måte.

Finn bruksanvisningen på Invacares hjemmeside eller kontakt din Invacare-representant. Se adresser å slutten av denne håndboken.

Invacare forbeholder seg retten til å endre produktspesifikasjoner uten forvarsel.

Før du leser denne håndboken, må du forsikre deg om at du har den nyeste versjonen. Du finner den nyeste versjonen som en PDF-fil på Invacare-nettstedet.

For førsalgs- og brukerinformasjon, se bruksanvisningen.

For mer informasjon om produktet, som f.eks. produksikkerhetsmerknader og tilbakekalling av produkter, ta kontakt med din Invacare-representant. Se adresser å slutten av dette dokumentet.

## 1.2 Symboler i denne håndboken

Symboler og varselord er brukt i denne håndboken og gjelder for farlig eller usikker bruk, som kan føre til personskade eller skade på eiendom. Nedenfor finner du definisjoner av disse symbolene.



### ADVARSEL

Angir en farlig situasjon som kan føre til alvorlig personskade eller død dersom den ikke unngås.



### FORSIKTIG

Angir en farlig situasjon som kan føre til lettere skade dersom den ikke unngås.



### VIKTIG

Angir en farlig situasjon som kan føre til skade på utstyr hvis den ikke unngås.



### Tips

Gir nyttige tips, anbefalinger og opplysninger når det gjelder effektiv og problemfri bruk.



### Verktøy

Dette symbolet angir en liste over ulike verktøy, komponenter og deler som kreves for å utføre visse typer arbeid.

## 2 Sikkerhet

### 2.1 Generell sikkerhetsinformasjon



#### ADVARSEL!

##### Skaderisiko for personer eller materiell

- Prosedyrene i denne håndboken må bare utføres av en kvalifisert tekniker.
- Bruk bare originalt tilbehør og reservedeler.
- Du må ikke håndtere dette produktet eller tilgjengelig tilleggsutstyr uten først å ha lest og forstått denne veiledningen og eventuelle andre instruksjoner, for eksempel bruksanvisninger, installasjonsveiledninger eller instruksjonsark som følger med dette produktet eller tilleggsutstyr.
- Etter hver montering må du kontrollere at alle beslag og fester er godt festet, og at alle delene fungerer slik de skal.



#### ADVARSEL!

##### Fare for kontaminering

- Rengjør og desinfiser produktet grundig før det brukes på nytt.



#### VIKTIG!

Montering av tilbehør er kanskje ikke beskrevet i denne servicehåndboken. Se håndboken som ble levert med tilbehøret.

- Ytterligere håndbøker er tilgjengelige ved forespørsel. Se adresser nederst på dette dokumentet.



#### VIKTIG!

Følgende reservedeler er bare tilgjengelige som et sett. Bruk hele det nye settet når du bytter en del.

- Reservedeler kan bestilles fra Invacare. En elektronisk katalog over reservedeler (ESPC) er tilgjengelig på Invacares hjemmeside.



#### VIKTIG!

Se i bruksanvisningen til dette produktet for mer informasjon om

- Tekniske data
- Produktkomponenter
- Etiketter
- Ekstra sikkerhetsinstruksjoner
- Instruksjoner for rengjøring og desinfisering



Informasjonen i dette dokumentet kan endres uten varsel.

### 2.2 Informasjon om personlig sikkerhet

Disse sikkerhetsinstruksjonene skal bidra til å unngå ulykker under arbeid og må følges under alle omstendigheter.

Alle ansatte som kommer i kontakt med kontaminerte produkter, må jevnlig rådføre seg med bedriftslegen. Arbeidstøy og personlig verneutstyr må være tilgjengelig i nødvendige mengder og være i forsvarlig stand. Pålitelig hånd- og overflatedesinfeksjon må sikres.



#### ADVARSEL!

##### Fare for kontaminering

- Rengjør og desinfiser produktet før reparasjonsarbeid.

### 2.3 Elektrisk sikkerhetskontroll



#### VIKTIG!

Regelmessige elektriske kontroller i henhold til EN 62353 (VDE0751) må utføres i henhold til lokale krav.

1. Se etter skader på huset eller kabelen til alle elektroniske komponenter, test funksjonene og kontroller for lekkasjestrøm.

## 3 Service

### 3.1 Sjekkliste for sikkerhetskontroll

<b>Generell inspeksjon</b>	☺	☹
Er produktet i god stand, og er den komplett (produkt og tilbehør)?	<input type="checkbox"/>	<input type="checkbox"/>
Er enheten fri for skader eller andre svakheter?	<input type="checkbox"/>	<input type="checkbox"/>
Fungerer produktet korrekt under nominell belastning?	<input type="checkbox"/>	<input type="checkbox"/>
Fungerer produktet i samsvar med bruksanvisningen?	<input type="checkbox"/>	<input type="checkbox"/>
<b>Fjerne feil</b>	☺	☹
Er alle feil som ble funnet, eliminert, og har defekte komponenter blitt erstattet?	<input type="checkbox"/>	<input type="checkbox"/>
Er alle skruer/bolter godt festet, og er produktet montert sikkert?	<input type="checkbox"/>	<input type="checkbox"/>
<b>Utføre sjekker</b>	☺	☹
Er produktet sikkert, teknisk og funksjonelt?	<input type="checkbox"/>	<input type="checkbox"/>
Er produktet vasket og desinfisert?	<input type="checkbox"/>	<input type="checkbox"/>

Er identifikasjonsmerket tydelig lesbart, og er det festet sikkert på produktet?	<input type="checkbox"/>	<input type="checkbox"/>
Følger den siste utgaven av bruksanvisningen med produktet?	<input type="checkbox"/>	<input type="checkbox"/>

### 3.2 Reservedeler


**ADVARSEL!**

Originale reservedeler må brukes for alle reparasjoner. Ellers blir garantien og produktets samsvarserklæring ugyldiggjort.

Alle reservedeler må anskaffes fra Invacare-kundeserviceavdelingen. En elektronisk katalog over reservedeler er tilgjengelig på [www.invacare.no](http://www.invacare.no).

### 3.3 Fargekode for ramme

Komponent	Fargekode (RAL)
Rammerør	Hvit, RAL 9003
Basisrør (Ocean E-VIP)	Grå RAL7042 / uten trekk
Fotstøtterør/ Hodestøtterør	uten trekk
Armleneholder	Blå, RAL 5002

## 4 Overhaling

### 4.1 Rengjøring og desinfisering

Produktet kan rengjøres og desinfiseres ved hjelp av kommersielt tilgjengelige rengjørings- og desinfeksjonsmidler.

1. Fjern alt påmontert tilleggsutstyr (kun tilleggsutstyr som ikke krever verktøy).
2. Trekk fotstøttene ut av holderne.
3. Ta av seteplaten og ryggtrekket.
4. For Ocean VIP Ergo/Ocean Dual VIP Ergo: Fjern bremsedekslene og klemmebeskyttelse.
5. Rengjør de enkelte delene med klut eller børste og vanlige rengjørings- og desinfeksjonsmidler.
6. Skyll delene med varmt vann.
7. Tørk delene med en klut.
8. Monter produktet på nytt.



#### VIKTIG!

Alle rengjørings- og desinfeksjonsmidler må være av god kvalitet og kompatible med hverandre. I tillegg må de beskyttede materialene de skal rengjøre. Ytterligere informasjon om rengjøring i pleiemiljøer finner du i lokale retningslinjer og regelverk for infeksjonskontroll.

- Rengjør manuelt, i en vaskemaskin eller i en autoklav.
- Rengjør uten skuremidler.

#### Rengjøring på helseinstitusjon



I tillegg til rengjøringen som er angitt ovenfor, anbefaler vi at produktet rengjøres etter at hver pasient er utskrevet, når en bruksperiode er over eller regelmessig (avhengig av hva som kommer først) ved

- 90 °C for 1 minutt
- 85 °C for 3 minutter
- 80 °C for 10 minutter

i vaskemaskin eller autoklave.



#### FORSIKTIG!

#### Fare for brannskade

– Gi produktet tid til å kjøle seg ned etter at det har vært rengjort i autoklav.

#### Rengjør ryggtrekket

1. Ta av ryggtrekket.
2. Vask trekket i vaskemaskin ved maks. 60 °C med et mildt vaskemiddel.

### 4.3 Overhalingplan

Ved behov for overhaling må følgende elementer kontrolleres:

#### Generelt

	Se etter	Problemløsning	OK
1	Riktig montering av alle deler, alle skruer strammet, inkludert styrehjul	Stram skruene, med gjengelås dersom det er mulig. Se momentgrafikker	<input type="checkbox"/>



#### VIKTIG!

#### Fare for skade

- Vask ved høyere temperaturer kan føre til skade.
- Tørk ikke trekk i tørketrommel.



#### VIKTIG!

Rengjøring i unødvendig stort omfang kan skade tekstiler.

- Vi anbefaler av hygieniske årsaker at ryggtrekk skiftes ut hvert annet år.

#### Rengjør toalett-potten (ekstraustyr)

Toalett-potten kan rengjøres i autoklav ved følgende temperatur/varighet:

- 90 °C for 1 minutt
- 85 °C for 3 minutter
- 80 °C for 10 minutter.

#### Desinfisering

1. Desinfiser produktet ved å tørke over alle tilgjengelige overflater med et desinfeksjonsmiddel (fortrinnsvis etter at produktet har blitt demontert).

### 4.2 Oversikt over materiale

Se samsvarende bruksanvisning for produktmaterialer.

Se følgende tabell for materialer til tilbehør:

Tilbehør	Material(er)
Ergonomisk myktsete / Variable Softseat / myke seter	PUR
Sprutdeksel Ocean omfang	PUR
Sprutdeksel Ocean Ergo omfang	PP
Komfort rygglenene	Vinyllær / PVC-innlegg
Rygglenene	PE-HD
Hodestøtteputer / Sidestøtte	PUR
Leggstøtte og støtte for amputert ben / Leggstøtte med fotstøtte	PUR (leggstøtte) / PP (fotstøtte)
Toalett-potteholder	Rustfritt stål
Toalett-potte med lokk	PP

**Ramme (all rammedeler, rør inkludert ryggene)**

	Se etter	Problemløsning	OK
1	Mekanisk skade på rammedeler (sprekker, frakturer)	Kasser ramme og bytt ut med en ny en, se 5.9 <i>Utbyttning av sidene (Ocean VIP Ergo / Ocean Dual VIP Ergo), side 137</i> , respektivt bruksanvisningen.  Kasser ellers produktet.	<input type="checkbox"/>
2	Mekanisk skade på tippsikringen (Ocean Dual VIP / Ocean VIP Ergo)	Bytt ut tippsikring, se bruksanvisningen.	<input type="checkbox"/>

**Sidedeler**

	Se etter	Problemløsning	OK
1	Mekanisk skade	Kasser sidedeler og bytt ut med en ny en, se 5.9 <i>Utbyttning av sidene (Ocean VIP Ergo / Ocean Dual VIP Ergo), side 137</i> , respektivt bruksanvisningen.	<input type="checkbox"/>

**Sete**

	Se etter	Problemløsning	OK
1	Skade på sete (sprekker, skarpe kanter)	Bytt ut setet, se bruksanvisningen.	<input type="checkbox"/>
2	Vaklende, mindre stabilt sete		<input type="checkbox"/>
3	Skadde smekker på undersiden		<input type="checkbox"/>

**Ryggtrekk**

	Se etter	Problemløsning	OK
1	Skade på ryggtrekket (sprekker, åpne sømmer, skadde spenner)	Bytt ut ryggtrekk, se bruksanvisningen.	<input type="checkbox"/>

**Fotstøtte**

	Se etter	Problemløsning	OK
1	Skade på fotplate (sprekker, skarpe kanter)	Bytt ut fotplatene, 5.5 <i>Utbyttning av fotplatene, side 133</i>	<input type="checkbox"/>
2	Skade på fotstøttefestet ved rammen (Ocean VIP / Ocean E-VIP)	Bytt ut fotstøttefeste, 5.4 <i>Utbyttning av fotstøtten (Ocean VIP / Ocean Dual VIP / Ocean E-VIP), side 133</i>	<input type="checkbox"/>
3	Skade på rør	Bytt ut hele fotstøtten med en ny en, se bruksanvisningen.	<input type="checkbox"/>
4	Skade på festeklips	Bytt ut festeklipsene på fotstøttet med nye.	<input type="checkbox"/>

**Armlene**

	Se etter	Problemløsning	OK
1	Skade på armlenerør eller armleneholdere (sprekker, skarpe kanter)	Bytt ut armlenet med ett nytt et, 5.2 <i>Utskiftning av armlenet (=&gt; 01/2021), side 131</i>	<input type="checkbox"/>
2	Skade på putene på armlenet (sprekker, skarpe kanter)	Bytt ut armlenepolstringen, 5.2.1 <i>Utskiftning av polstring på armlenet (=&gt; 01/2021), side 131</i>	<input type="checkbox"/>

**Styrehjul**

	Se etter	Problemløsning	OK
1	Trege eller skadde svinglagre	Bytt ut hele styrehjulet med et nytt, 5.6 <i>Utbyttning av styrehjulene, side 134</i>	<input type="checkbox"/>
2	Tregt styrehjul (kulelagre)		<input type="checkbox"/>
3	Skadd overflate på styrehjul		<input type="checkbox"/>
4	Skade på svinghjulgaffel		<input type="checkbox"/>
5	Sikkert festede skruer til rammen.	Bytt ut tilkoblingskruser ved bruk av nytt gjengelåslim.	<input type="checkbox"/>



**24" hjul (Ocean / Ocean Ergo)**

	Se etter	Problemløsning	OK
1	Skade på 24 tommeres hjul	Bytt ut hjulet på 24", se instruksjoner for montering.	<input type="checkbox"/>
2	Fungerende brems (hjul må låse)	Juster eller bytt ut bremsene, se instruksjon for montering.	<input type="checkbox"/>
3	Riktig montering av hjulene på 24", låsepinnene stikker ut av enden på navet for å løse ut	Juster eller bytt ut nav eller aksel, se instruksjon for montering.	<input type="checkbox"/>

**Hodestøtte (Ocean VIP / Ocean Dual VIP / Ocean E-VIP / Ocean VIP Ergo / Ocean Dual VIP Ergo)**

	Se etter	Problemløsning	OK
1	Skade på hodestøtten (sprekker, skarpe kanter)	Bytt ut hodestøtten, se instruksjoner for montering.	<input type="checkbox"/>
2	Skade på hodestøtteputen	Bytt ut polstringen på hodestøtten, se instruksjoner for montering.	<input type="checkbox"/>

**Setevippemekanisme (Ocean VIP / Ocean Dual VIP / Ocean VIP Ergo / Ocean Dual VIP Ergo)**

	Se etter	Problemløsning	OK
1	Skade på Bowden-trådsystemet eller kabelskall	Bytt ut Browden-trådsystemet, 5.12 <i>Utbygging av Bowden-kabelen for setevipping (Ocean VIP Ergo / Ocean Dual VIP Ergo), side 145 / 5.11 Utbygging av gassfjæren – utløsermekanisme – Bowden-kabel for setevipping (Ocean VIP / Ocean Dual VIP), side 143</i>	<input type="checkbox"/>
2	Skade på aktiveringshåndtaket	Bytt ut aktiveringshåndtaket, se bruksanvisningen.	<input type="checkbox"/>
3	Fungerende vipping og festing av posisjon, enkel tipping og sikker låsing av posisjonen er påbudt.	Juster Browden-tråden, 5.12 <i>Utbygging av Bowden-kabelen for setevipping (Ocean VIP Ergo / Ocean Dual VIP Ergo), side 145 / 5.11 Utbygging av gassfjæren – utløsermekanisme – Bowden-kabel for setevipping (Ocean VIP / Ocean Dual VIP), side 143</i>  Bare for Ocean VIP Ergo / Ocean Dual VIP Ergo:  Hvis vippefunksjon til en vinkel under 0° ikke er mulig, fjerner du eventuelt vippestopperne (valgfritt tilbehør). Se monteringsanvisningen for tilbehøret.	<input type="checkbox"/>
4	Skade på gassfjær	Bytt ut gassfjæren, 5.12 <i>Utbygging av Bowden-kabelen for setevipping (Ocean VIP Ergo / Ocean Dual VIP Ergo), side 145 / 5.11 Utbygging av gassfjæren – utløsermekanisme – Bowden-kabel for setevipping (Ocean VIP / Ocean Dual VIP), side 143</i>	<input type="checkbox"/>
5	Skade på utløsermekanismen	Bytt ut utløsermekanismen, 5.12 <i>Utbygging av Bowden-kabelen for setevipping (Ocean VIP Ergo / Ocean Dual VIP Ergo), side 145 / 5.11 Utbygging av gassfjæren – utløsermekanisme – Bowden-kabel for setevipping (Ocean VIP / Ocean Dual VIP), side 143</i>	<input type="checkbox"/>

**Vinkling av ryggene (Ocean Dual VIP / Ocean Dual VIP Ergo)**

	Se etter	Problemløsning	OK
1	Skade på Bowden-trådsystemet eller kabelskall	Bytt ut Browden-trådsystemet, 5.10 <i>Utbytte av gassfjæren - utløsermekanisme - Bowden-kabel til vipping av ryggene (Ocean Dual VIP / Ocean Dual VIP Ergo), side 138</i>	<input type="checkbox"/>
2	Skade på aktiveringshåndtaket	Bytt ut aktiveringshåndtaket, se bruksanvisningen.	<input type="checkbox"/>
3	Fungerende vipping og festing av posisjon, enkel tipping og sikker låsing av posisjonen er påbudt.	Juster Browden-tråden, 5.10 <i>Utbytte av gassfjæren - utløsermekanisme - Bowden-kabel til vipping av ryggene (Ocean Dual VIP / Ocean Dual VIP Ergo), side 138</i>	<input type="checkbox"/>

	Se etter	Problemløsning	OK
4	Skade på gassfjær	Bytt ut gassfjæren, 5.10 Utbytte av gassfjæren - utløsermekanisme - Bowden-kabel til vipping av rygglene (Ocean Dual VIP / Ocean Dual VIP Ergo), side 138	<input type="checkbox"/>
5	Skade på utløsermekanismen	Bytt ut utløsermekanismen, 5.10 Utbytte av gassfjæren - utløsermekanisme - Bowden-kabel til vipping av rygglene (Ocean Dual VIP / Ocean Dual VIP Ergo), side 138	<input type="checkbox"/>

**Dekkplater (Ocean VIP Ergo / Ocean Dual VIP Ergo)**

	Se etter	Problemløsning	OK
1	Skade på bremsedekkplatene, klemmebeskyttelsesdekselene og tildekking av vippemekanismen	Bytt ut den skadde klemmebeskyttelsen med en ny en, se bruksanvisningen.  Bytt ut vippemekanismens trekk, 5.7 Utbytting av indre/ytre sidedeksel (Ocean VIP Ergo / Ocean Dual VIP Ergo), side 135	<input type="checkbox"/>

**Elektrisk høydejustering / vipping (Ocean E-VIP)**

	Se etter	Problemløsning	OK
1	Skade på alle kabler	Bytt ut de skadede komponentene med nye.	<input type="checkbox"/>
2	Skade på håndkontroll	Bytt ut håndkontrollen med en ny en.	<input type="checkbox"/>
3	Skade på elektronisk deksel	Bytt ut det elektroniske dekselet med et nytt et. Se bruksanvisningen.	<input type="checkbox"/>
4	Fungerende høydejustering / vippejustering og nødsenkning.	Se bruksanvisningen (kapittel om feilsøking).	<input type="checkbox"/>

**Tilbehør**

	Se etter	Problemløsning	OK
1	Skade på tilleggsutstyr	Bytt ut defekt komponent eller hele tilleggsutstyret	<input type="checkbox"/>

## 5 Instruksjoner

### 5.1 Generell reparasjonsinformasjon

Reparasjoner krever høy grad av kompetanse. I disse monteringsinstruksjonene brytes derfor de ulike oppgavene ned i 3 kategorier:

Krav	Symbol
Enkelt – teknisk forståelse kreves	■□□
Middels – tekniske kunnskaper kreves	■ ■ □
Vanskelig – teknisk kunnskap og kompetanse innen montering kreves	■ ■ ■

Påkrevde verktøy og størrelsene deres er oppført på forsiden av instruksjonene.

### 5.2 Utskiftning av armlenet (= > 01/2021)

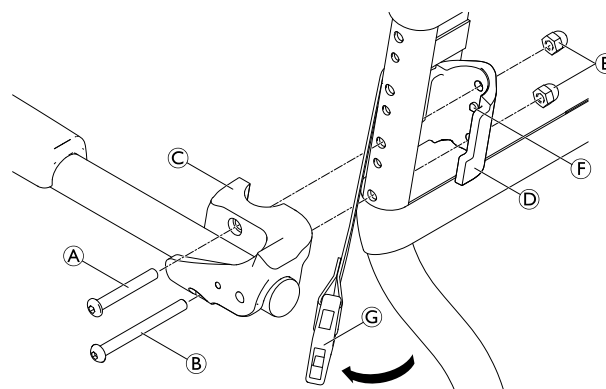
for eldre modeller frem til januar 2021



Unbrakonøkkel (4 mm)



- Løsne skruene A og B på armleneholderen C ved hjelp av medfølgende unbrakonøkkel.
- Fjern låseklemmen D med mutterne E fra innsiden av ryggrammen.
- Ta av armleneholderen C sammen med armlenet.
  - Det minste hullet fungerer som feste for låseklemmen.
- Stikk inn skruene i den nye armleneholderen, og før dem gjennom hullene i ryggrammen.
- Sett eventuelt mutrene tilbake i låseklemmen.
- Plasser låseklemmen på ryggrammen slik at festet F på låseklemmen stikker inn i det mindre hullet.
- Skru inn skruene i mutrene, og stram til.
- Utbytteprosedyren er lik for høyre og venstre armlenene.



A / B = 8 Nm

#### 5.2.1 Utskiftning av polstring på armlenet (= > 01/2021)

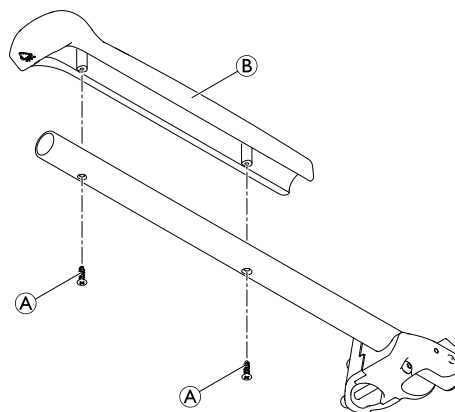
for eldre modeller frem til januar 2021



Stjerneskrudern



- Ta ut skruene A.
- Bytt ut armlenepolstringen B.
- Sett inn skruer igjen og stram til.



A = Fingerstramme

## 5.3 Utskiftning av armlenet (02/ 2021 =>)

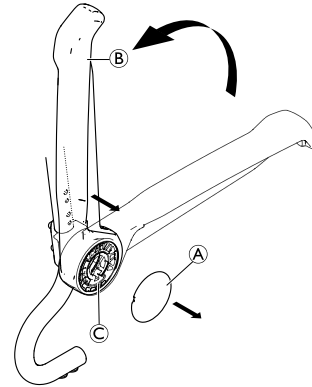
for nye modeller fra og med februar 2021



Unbrakonøkkel (4 mm)



1. Før dette beltet på innsiden av ryggstørammen og lukk beltelåsen igjen.
2. Ta av hetten **A**.
3. Vipp opp armlenet **B** for å dra det av armleneholderen **C**.



4. Fjern skruene **D** fra armleneholderen **C** med den medfølgende unbrakonøkkelen.
5. Fjern låseklemmen **E** med mutrene **F** fra innsiden av ryggrammen.

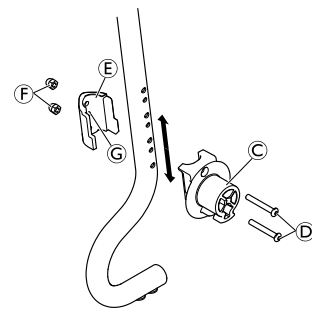
**i** Mutrene settes inn løst i låseklemmen og kan falle ut.

6. Du monterer armleneholderen og låseklemmen i ønsket posisjon ved å sette inn skruene **D** i armleneholderen og føre dem gjennom de ønskede hullene i ryggrammen.

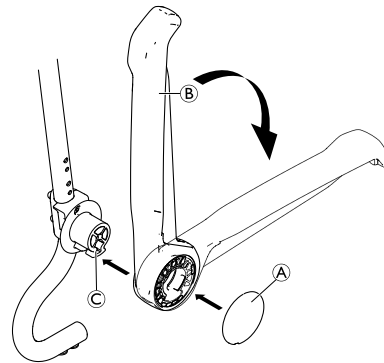
**i** De minste hullene på innsiden av ryggrammen fester låseklemmen.

7. Plasser låseklemmen på en slik måte at festet **G** på låseklemmen låses i det mindre hullet.
8. Stram skruene. **D**.

9. Monter armlenet **B** på holderen **C**.
10. Slå ned armlenet.
11. Sett på hetten **A** igjen.
12. Utbytteprosedyren er lik for høyre og venstre armlenene.



**D** = 8 Nm




## 5.4 Utbytting av fotstøtten (Ocean VIP / Ocean Dual VIP / Ocean E-VIP)





Unbrakonøkkel (4 mm)



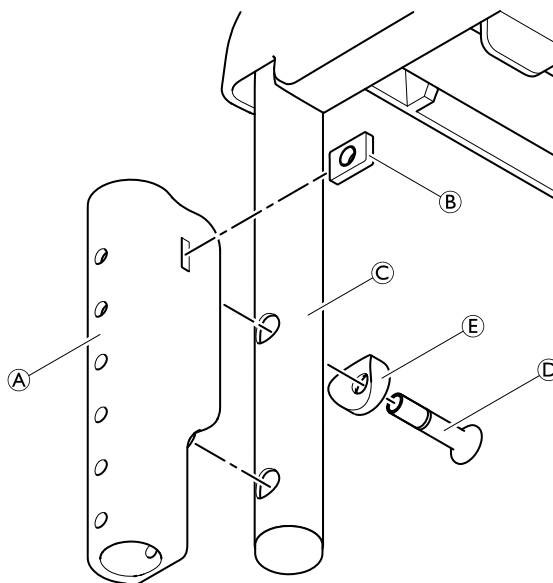
1. Fjern skruen ④ og flytt ⑤.
2. Fjern fotstøtten ① fra rammerøret ③.

 Utfør trinn 2 – 1 i omvendt rekkefølge for å installere fotstøtten.

 Sørg for at begge føringsnipplene på baksiden av fotstøtten passer til ramnehullene ved reinstallerings.

 Sørg for at den gjengede platen ② monteres inn i sporet på fotstøtten.

④ = 7 Nm




## 5.5 Utbytting av fotplatene



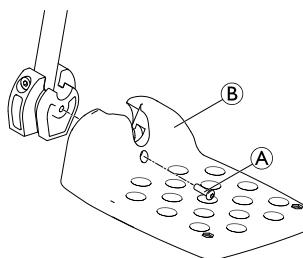
Unbrakonøkkel (4 mm)



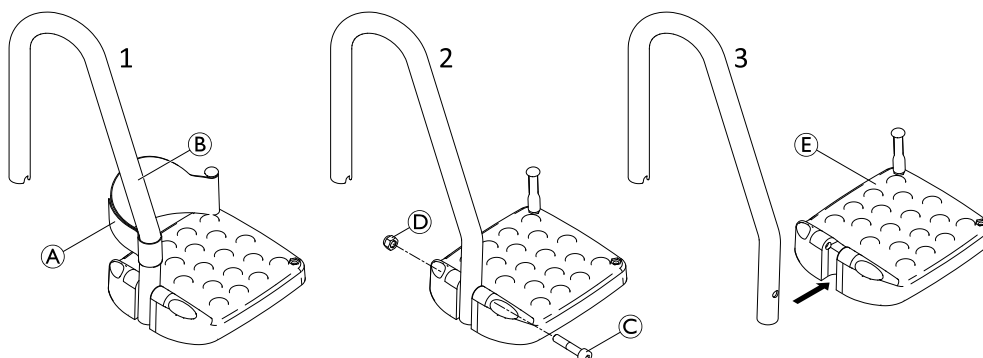
1. Trekk hælbandet ut av fotstøtterøret.
2. Fjerne skruen ①.
3. Fjern fotplaten ②.

 Utfør trinn 3 – 1 i omvendt rekkefølge for å installere fotplaten.


① = 2 – 3 Nm



### Ocean E-VIP:



1. Trekk hælbandet ① ut av fotstøtterøret ②.
2. Fjern skruen ③ og mutteren ④.
3. Fjern fotplaten ⑤.

 Utfør trinn 3 – 1 i omvendt rekkefølge for å installere fotplaten.

③ = 4 – 5 Nm

### 5.5.1 Utbytting av den fleksible monteringsbolten



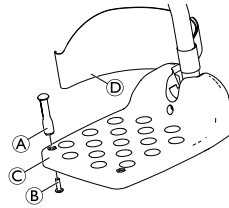
Stjerneskrutrekker



1. Fjern den fleksible monteringsbolten **A** fra undersiden av fotplaten **C** ved å løsne skruen **B**.
2. Fjern hælbandet **D**.



Utfør trinn 2 – 1 i omvendt rekkefølge for å installere den fleksible monteringsbolten.



**B** = 4 Nm

### 5.5.2 Fjerning/installering av veivledd

Dersom benstøtterørene må skjæres til, må veivleddene fjernes.



Unbrakonøkkel (6 mm)

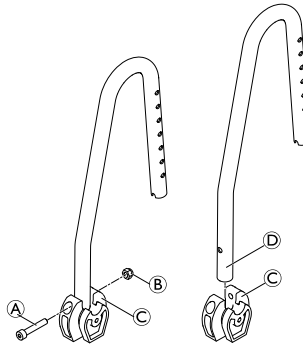


1. Fjern skruen **A** og mutteren **B**.
2. Fjern veivleddet **C** fra benstøtterøret **D**.



Utfør trinn 2 – 1 i omvendt rekkefølge for å installere veivleddet.

**A** = 4 – 5 Nm



### 5.6 Utbytting av styrehjulene



Unbrakonøkkel (10 mm) / Gjengelås (f.eks. Loctite 2701)

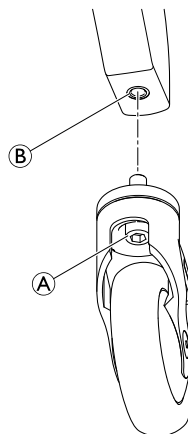


1. Fjern styrehjulet fra siden ved å løsne skruen **A** fra gjengehullet **B**.



Utfør trinn 1 i omvendt rekkefølge for å installere styrehjulet.

**A** = 35 Nm, lås tråd med f.eks. Loctite 2701



### 5.6.1 Fjerning/installering av styrehjul

Styrehjulene kan fjernes for vasking.

**Ocean Ergo / Ocean VIP Ergo / Ocean Dual VIP Ergo**



Torx skrutrekker (T30)

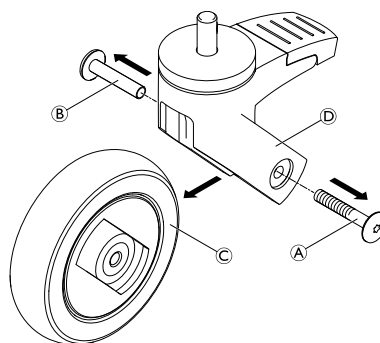


1. Løsne skreen **A** fra den gjengede hylsen **B** og fjern den fra styrehuset **D**.
2. Fjern styrehjulet **C**.



Utfør trinn 2 – 1 i omvendt rekkefølge for å reinstallere styrehjulet.

**A** = 4 – 6 Nm



**Ocean / Ocean VIP / Ocean Dual VIP / Ocean E-VIP**



Unbrakonøkkel (5 mm)

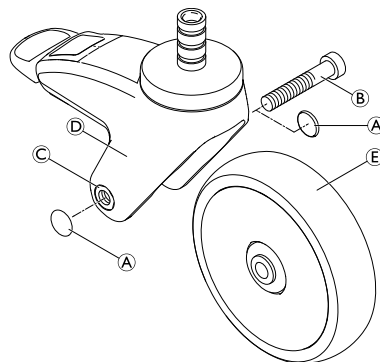


1. Fjern beskyttelsehetten i plast **A**.
2. Løsne og ta ut skruen **B** fra mutteren **C** og fjern den fra styrehuset **D**.
3. Fjern styrehjulet **E**.



Utfør trinn 3–1 i omvendt rekkefølge for å reinstallere styrehjulet.

**B** = 3 Nm



### 5.7 Utbytting av indre/ytre sidedeksel (Ocean VIP Ergo / Ocean Dual VIP Ergo)



Flathodet skrutrekker

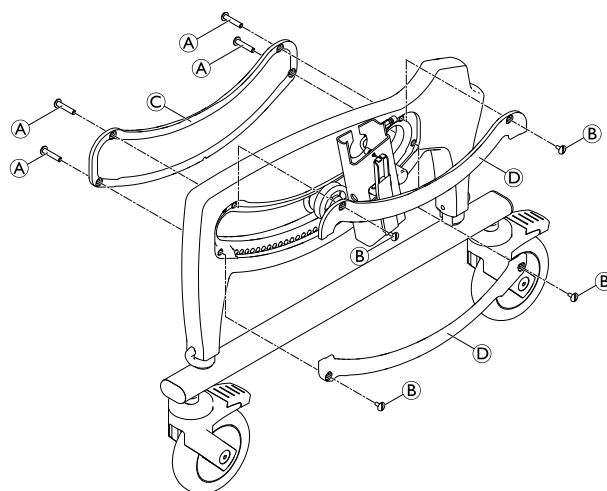


1. Fjern bremsedekselet fra seterammen, se bruksanvisningen.
2. Fjern skruemutterne **A** og låsemutterne **B**.
3. Fjern ytre sidedeksel **C**.
4. Fjern indre sidedeksler **D**.



Utfør trinn 4 – 1 i omvendt rekkefølge for å installere indre/ytre sidedeksel.

**B** = Fingerstramme



## 5.8 Utbytting av setefestet (Ocean VIP Ergo / Ocean Dual VIP Ergo)



Flat skrutrekker / Unbrakonøkkel (4 mm)



1. Fjern bremsedekselet fra seterammen, se bruksanvisningen.
2. Fjern skruemutterne (A) og låsemutterne.
3. Fjern ytre sidedeksel (B).
4. Fjern indre sidedeksler.
5. Fjern skruer (C), underlagsskiver (D) og flanseshjul (E).
6. Sett inn nye flenshjul, underlagsskiver og skruer og stram.

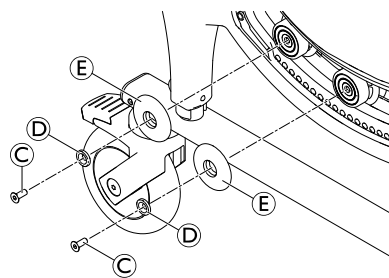
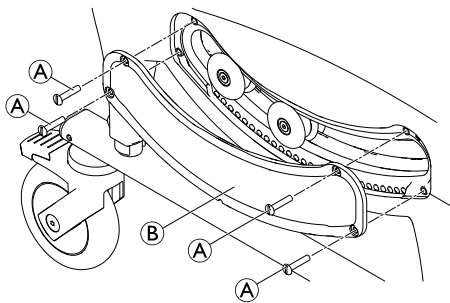


Se etter skader på siden av ytre deksel (B) og bytt ut om nødvendig.

7. Monter ytre side av dekselet på nytt med skruemutteren (A).
8. Gjenta prosedyren på den andre siden.


(A) = Fingerstramme


(C) = 6 Nm






## 5.9 Utbytting av sidene (Ocean VIP Ergo / Ocean Dual VIP Ergo)

 Flat skrutrekker / Unbrakonøkkel (4 mm) ■■■

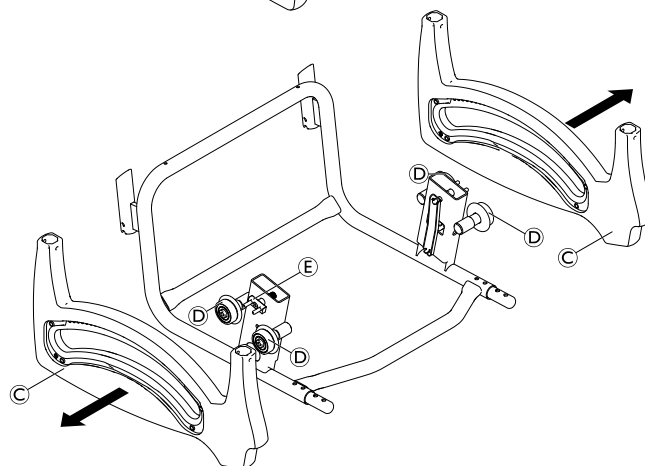
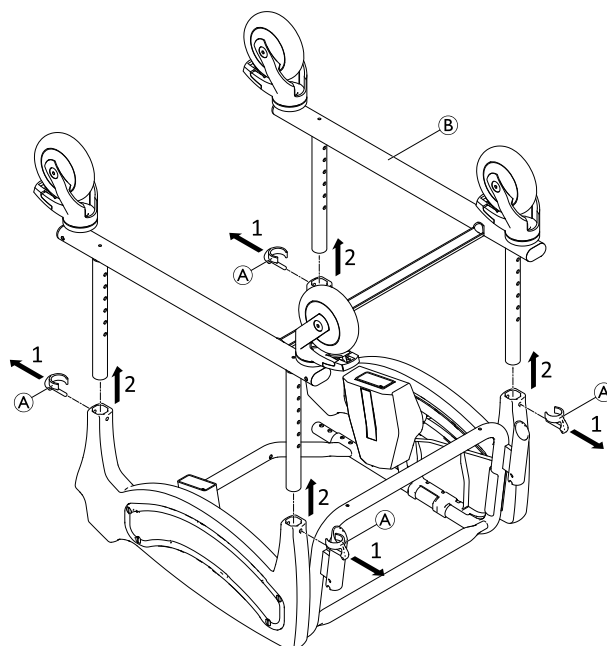
 Se bruksanvisningen for lettere fjerning av rygglenet fra seterammen.

1. Fjern seteplaten, se bruksanvisningen.
2. Plasser seterammen med siden opp ned på en jevn overflate.
3. Fjern klips **A** og dra hele den nedre rammen **B** ut av siden.
4. Fjern bremsedekslene fra seterammen, se bruksanvisningen.
5. Fjern indre og ytre sidedeksler og setefestene på begge sider. Se 5.7 *Utbytting av indre/ytre sidedeksel (Ocean VIP Ergo / Ocean Dual VIP Ergo)*, side 135 og 5.8 *Utbytting av setefestet (Ocean VIP Ergo / Ocean Dual VIP Ergo)*, side 136
6. Fjern sidene **C** ved å dra i dem fra opphenget **D**.

 Utfør trinn 6 – 1 i omvendt rekkefølge for å installere sidene.

### VIKTIG!

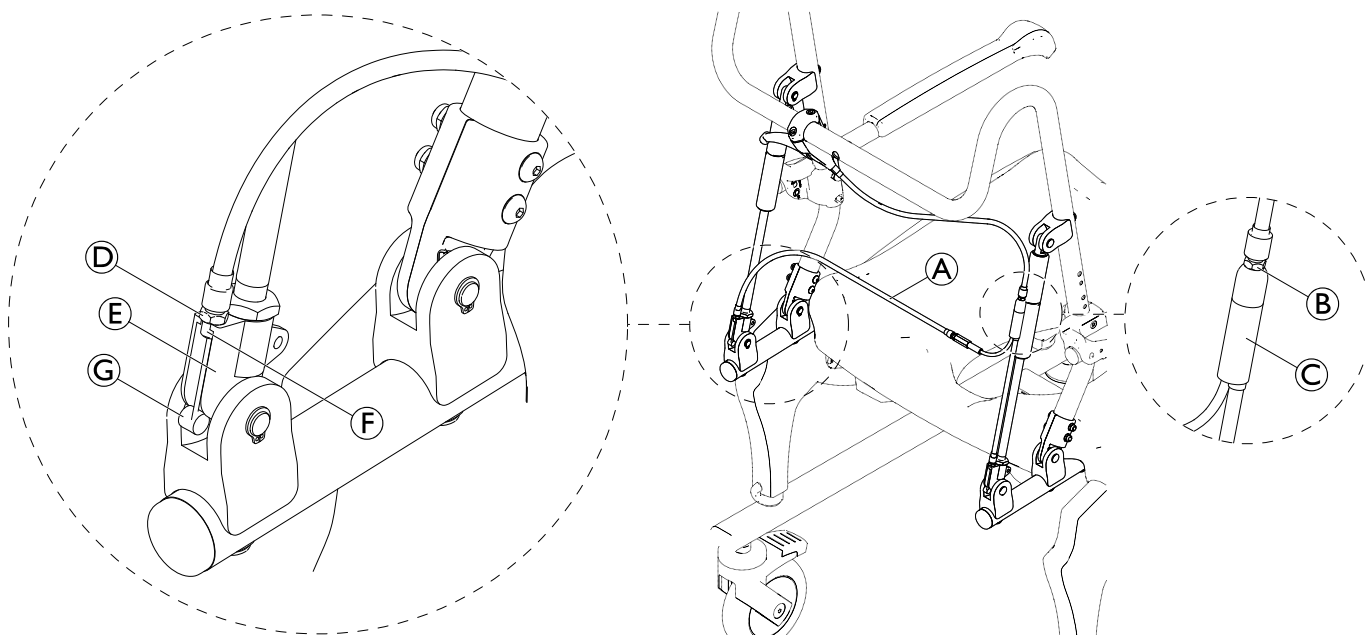
- Sørg for at bremsepinnene **E** er posisjonert likt på venstre og høyre side.



## 5.10 Utbytte av gassfjæren - utløsermekanisme - Bowden-kabel til vipping av rygglene (Ocean Dual VIP / Ocean Dual VIP Ergo)



Skrunøkkel (6, 8) / Unbrakonøkkel (4 mm) / Festeringsstang

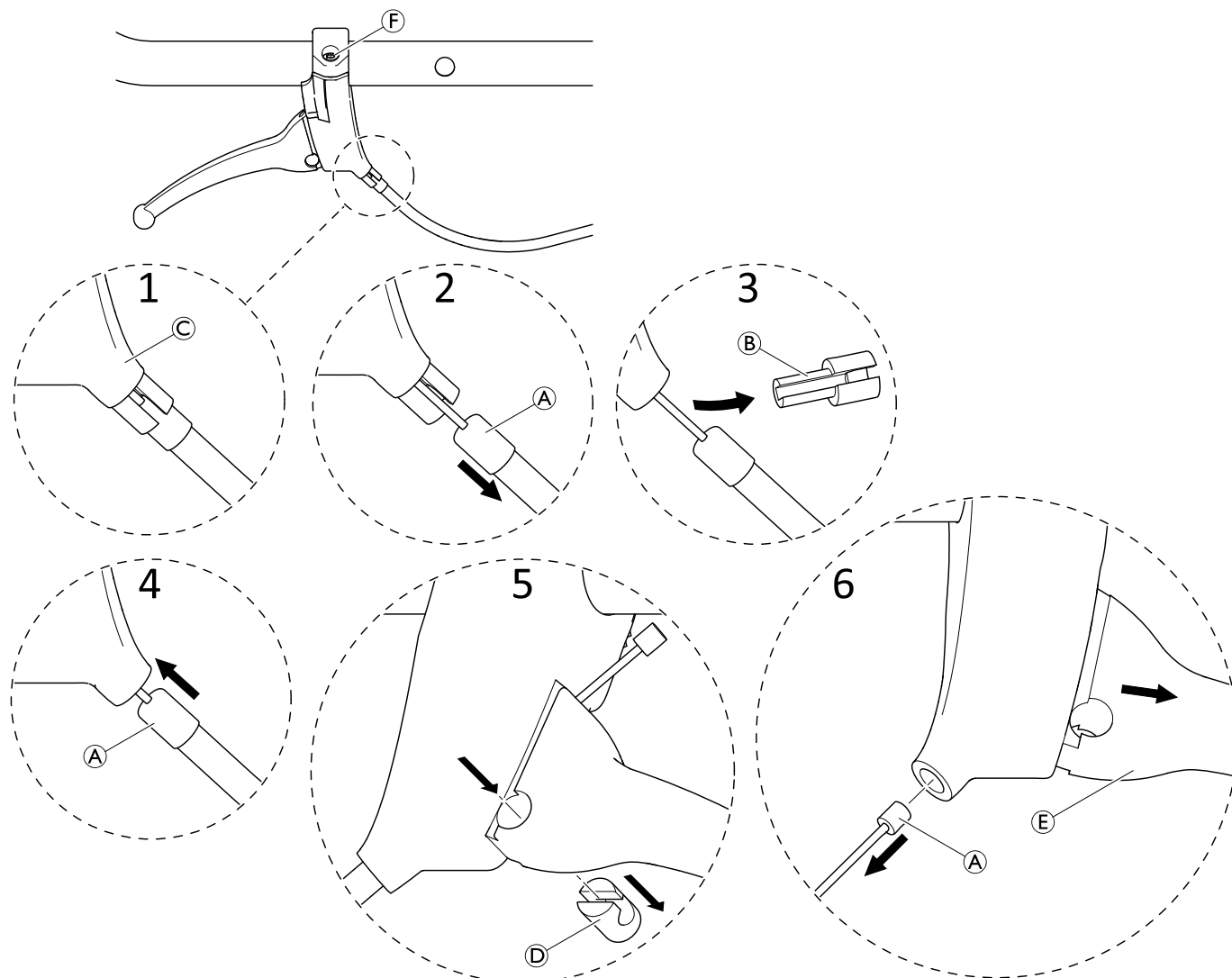


1. Løsne mutteren ② på distributøren ③ helt og skru den helt opp. Snu den øvre delen inn mot distributøren.
2. Løsne mutteren ④ på utløsermekanismen ⑤ og skru den helt opp. Løsne fastskrudde del ⑥ fra utløsermekanismen.




Dra Bowden-kabelen ① litt opp for å gjøre det enklere.

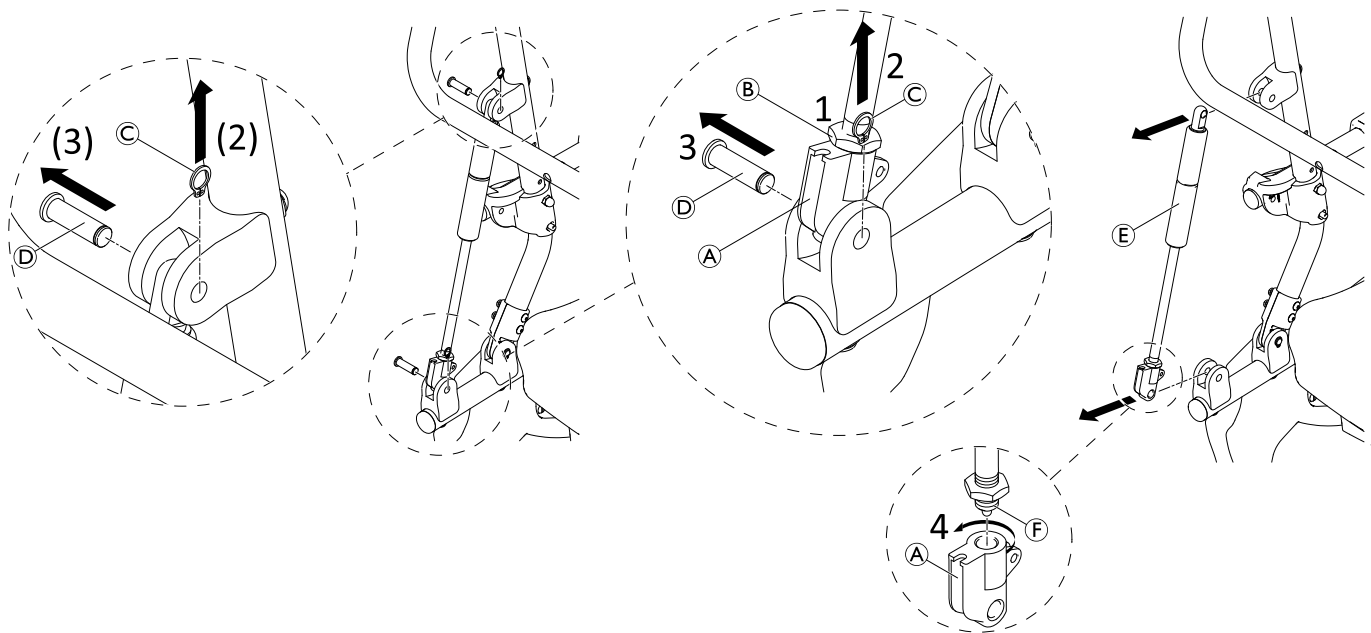
3. Ta av Bowden-trådhodet ⑦.



1. Dersom aktiveringshåndtaket inkludert Bowden-kabelen må erstattes: Løsne det gamle aktiveringshåndtaket fra kjørebøylen og skru på et nytt.
2. Dersom Bowden-kabelen **A** eller aktiveringshåndtaket **C** må erstattes: Dra Bowden-kabelen litt ut av aktiveringshåndtaket.
3. Fjern hylse **B**.
4. Dytt Bowden-kabelen inn og åpne bremselåsen (bremselåsen vises ikke).
5. Dytt ut hylsen **D**.
6. Dra ut Bowden-kabelen helt og fjern bremsespaken **E**.
7. Dersom aktiveringshåndtaket må erstattes: løsne skruene **F** og fjern aktiveringshåndtaket. Monter det nye aktiveringshåndtaket. Fjern bremsespaken **E**.
8. Legg inn Bowden-kabelen i aktiveringshåndtaket og bremsespaken for å montere igjen.

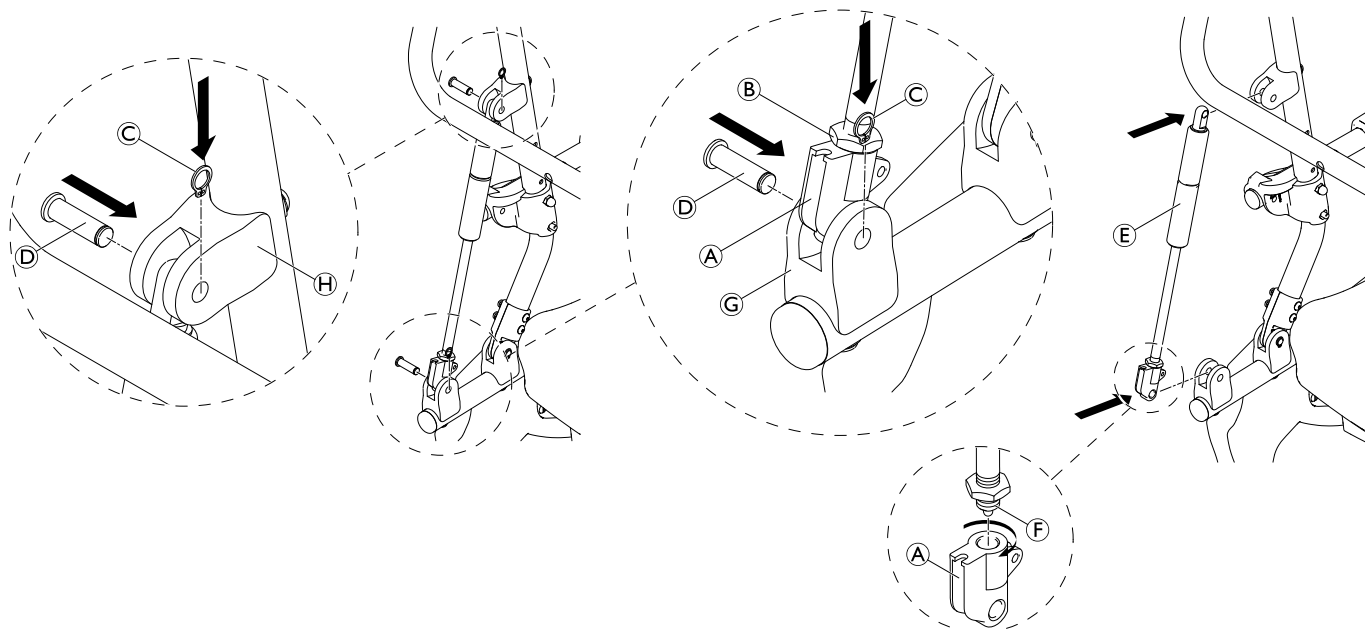
 Se til at kabelen ikke er spennet dersom det må installeres en ny Bowden-kabel. Se side 17, trinn 1 og 2.

9. Monter hylsen igjen **D**. Vær oppmerksom på riktige change orientering to retting av hylsen.
10. Installer bremsespaken på nytt **E**.
11. Monter hylsen på nytt **B** ved å dra litt i kabelen.

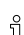


1. Dersom utløsermekanismen (A) må erstattes: Løsne mutteren (B).
2. Fjern låsering (C).
3. Fjern skruer (D) (Dersom hele gassfjæren må erstattes, fjern også øvre låsering og skrue, og fjern gassfjæren (E).)
 

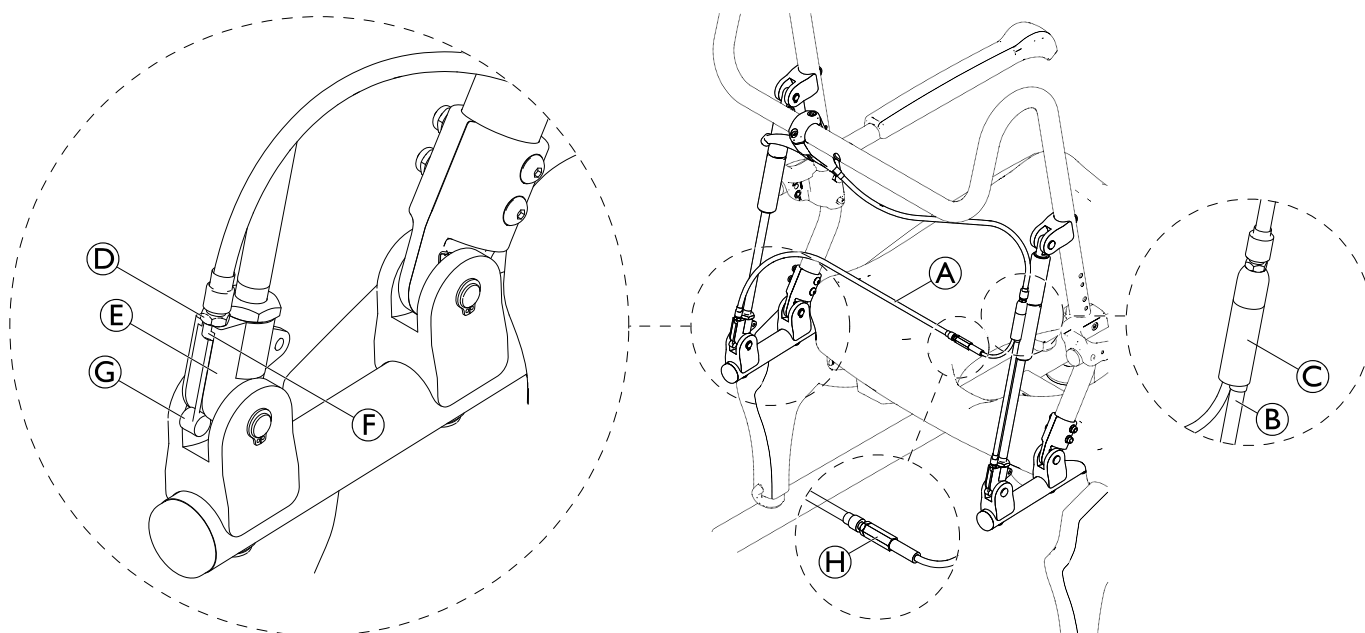
i Len rygglenet litt fremover for å gjøre det enklere å fjerne skruen, dersom det er nødvendig.
4. Dersom utløsermekanismen må erstattes: Løsne utløsermekanismen (A) fra den fastskrudde delen (F).



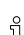
1. Dersom utløsermekanismen (A) må erstattes: Skru på ny utløsermekanisme igjen (løsne 2 tråder eller 1,5 – 2 mm avstand mellom utløsermekanismen og starten av tråden på stempelstangen (F)).
2. Remonter skruer (D) og låseringer (C) for å senke festene (G), og øvre fester (H) ved behov, dersom hele gassfjæren er erstattet.

 Len rygglenet litt fremover for å gjøre det enklere å sette inn skruen, dersom det er nødvendig.

3. Stram mutteren (B) på utløsermekanismen.



1. Forbered Bowden-kabelen (A): Forsikre deg om at kabelens ende (B) er riktig posisjonert i distributøren (C).
2. Heng Bowden-trådhodet (G) på utløsermekanismen (E).

 Den lengre enden er montert på venstre utløsermekanisme, den kortere på høyre.

3. Posisjoner tråden (F) til mutteren (D) på utløsermekanismen og skru den inn (pass på å ha tilstrekkelig med tilkoblede tråder). Trekk opp kabelen litt.

**VIKTIG!**

- Sørg for at plastikkdelen i utløsermekanismen holder seg nede under skruing.

**VIKTIG!**

- Sørg for at innstillingene er like på venstre og høyre side. Bevegelsen når kabelen dras opp må være lik på begge sider. Dette kan justeres via tråden/mutteren på enden av utløsermekanismens kabel, og gjennom justeringselementets tråd/mutter <sup>⊕</sup> på den lengre kabelen, ved å løsne eller skru til.


4. Lås mutterne på utløsermekanismen og justeringselementet etter å ha fullført justeringen.
5. Juster Browden-kabelen via distributøren <sup>⊙</sup> og lås mutteren for å redusere bevegelse av håndtaket og utløsermekanismene (ved å dra i kabelen). Som følge av innstillinger fra distributøren, kan ikke plastikkdelen av utløsermekanismen dras oppover.
6. Sjekk funksjon: Begge gassfjærer må utløse likt.

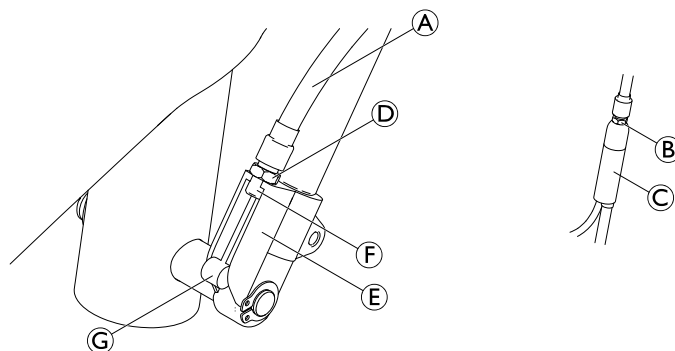
## 5.11 Utbygging av gassfjæren – utløsermekanisme – Bowden-kabel for setevinging (Ocean VIP / Ocean Dual VIP)



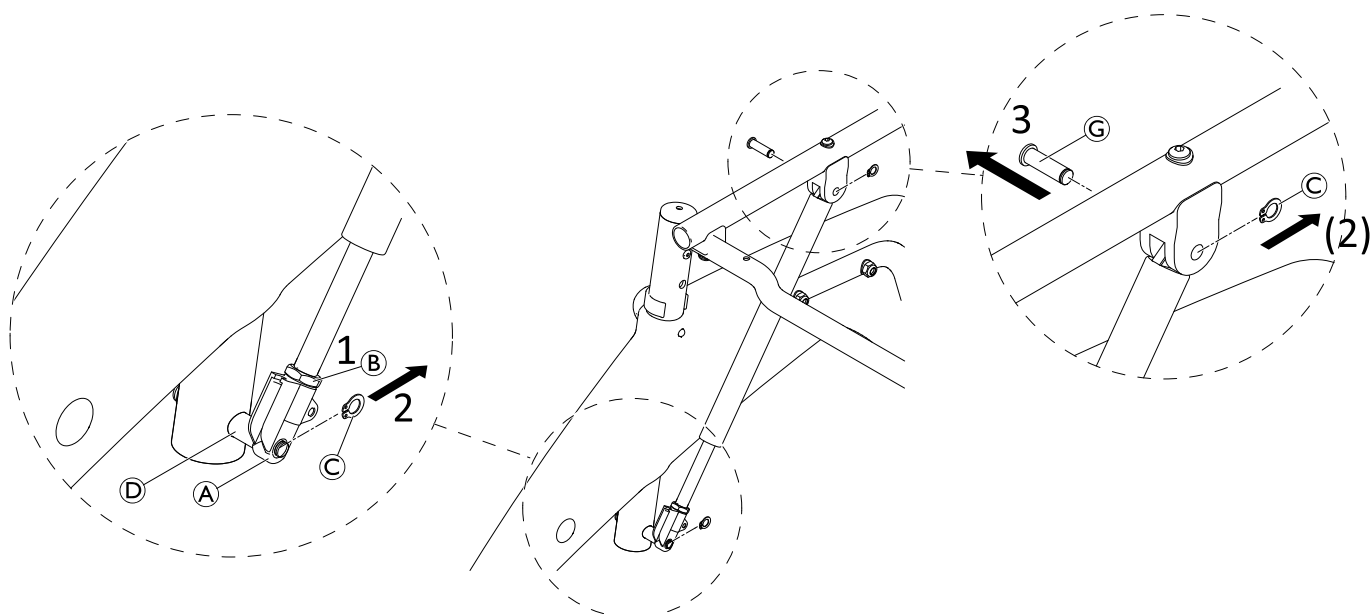
Skrunøkkel (6, 8) / Unbrakonøkkel (4 mm) / Festeringsstang



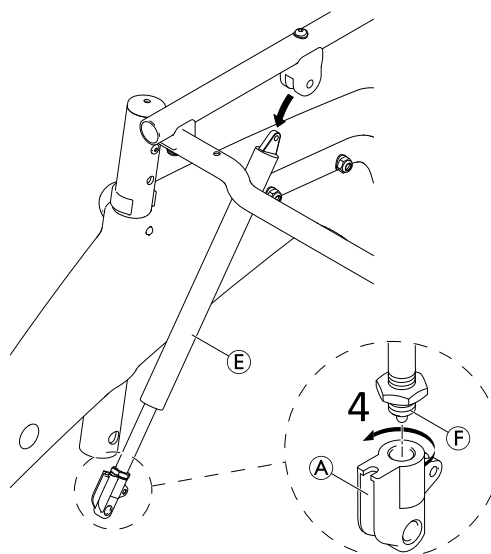
- Løsne mutteren ② på distributøren ③ helt og skru den helt opp. Snu den øvre delen inn mot distributøren.
- Løsne mutteren ④ på utløsermekanismen ⑤ og skru den helt opp. Løsne fastskrudde del ⑥ fra utløsermekanismen.
  -  Dra Bowden-kabelen ① litt opp for å gjøre det enklere.
- Ta av Bowden-trådhodet ⑦.

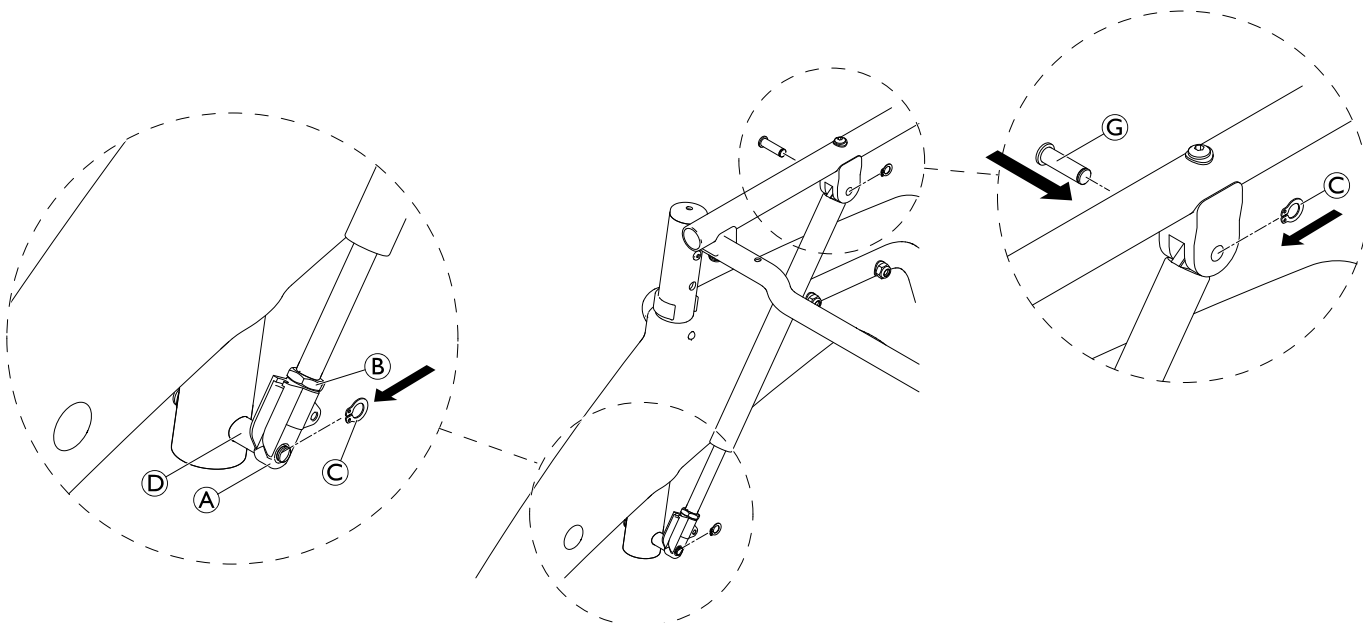


Se kapittel 5.10 Utbytte av gassfjæren - utløsermekanisme - Bowden-kabel til vipping av ryggene (Ocean Dual VIP / Ocean Dual VIP Ergo), side 138 dersom aktiveringshåndtaket / Bowden-kabelen må erstattes:




- Dersom utløsermekanismen ① må erstattes: Løsne mutteren ②.
- Fjern låsering ③.
- Fjern gassfjæren ⑤ fra skruen ④.
- Fjern øvre låsering og skrue ⑦ dersom hele gassfjæren må erstattes, og fjern gassfjæren ⑤.
- Dersom utløsermekanismen må erstattes: Løsne utløsermekanismen ① fra den fastskrudde delen ⑥.






1. Dersom utløsermekanismen ① må erstattes: Skru på ny utløsermekanisme igjen (løsne 2 tråder eller 1,5 – 2 mm avstand mellom utløsermekanismen og starten av tråden på stempelstangen ⑥).
2. Monter gassfjæren ⑤ på nytt på skruen ④ og sikre med låseringer ③, og monter skruen om nødvendig ④, og låseringer ③ på øvre feste dersom hele gassfjæren er erstattet.

 Len ryggenet litt fremover for å gjøre det enklere å sette inn skruen, dersom det er nødvendig.

3. Stram mutteren ② på utløsermekanismen.
4. Forbered Bowden-kabelen ①: Forsikre deg om at kabelens ende ② er riktig posisjonert i distributøren ③.
5. Heng Bowden-trådhodet ④ på utløsermekanismen ⑤.

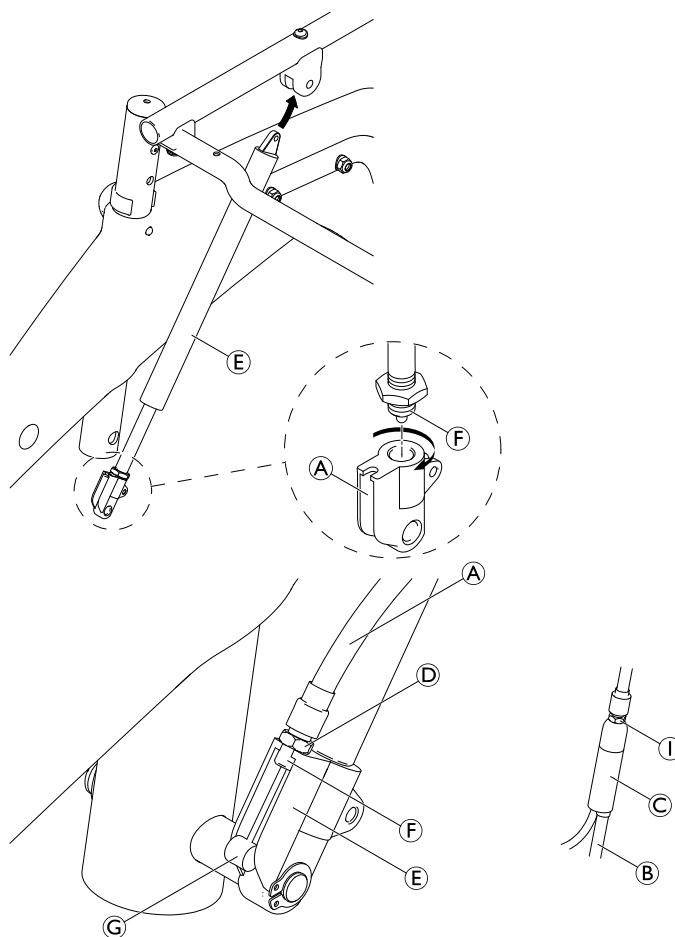
 Den lengre enden er montert på høyre utløsermekanisme, den kortere på venstre.

6. Posisjoner tråden ⑥ til mutteren ④ på utløsermekanismen og skru den inn (pass på å ha tilstrekkelig med tilkoblede tråder). Trekk opp kabelen litt.

#### VIKTIG!

- Sørg for at plastikkdelen i utløsermekanismen holder seg nede under skruing.
- Sørg for at innstillingene er like på venstre og høyre side. Bevegelsen når kabelen dras opp må være lik på begge sider. Dette kan justeres via tråden/mutteren på enden av utløsermekanismens kabel.

7. Lås mutterne ④ på utløsermekanismen ⑤ etter å ha fullført justeringen.
8. Juster Bowden-kabelen via distributøren ③ og lås mutteren ① for å redusere bevegelse av håndtaket og utløsermekanismene (ved å dra i kabelen). Som følge av innstillinger fra distributøren, kan ikke plastikkdelen av utløsermekanismen dras oppover.
9. Sjekk funksjon: Begge gassfjærer må utløse likt.

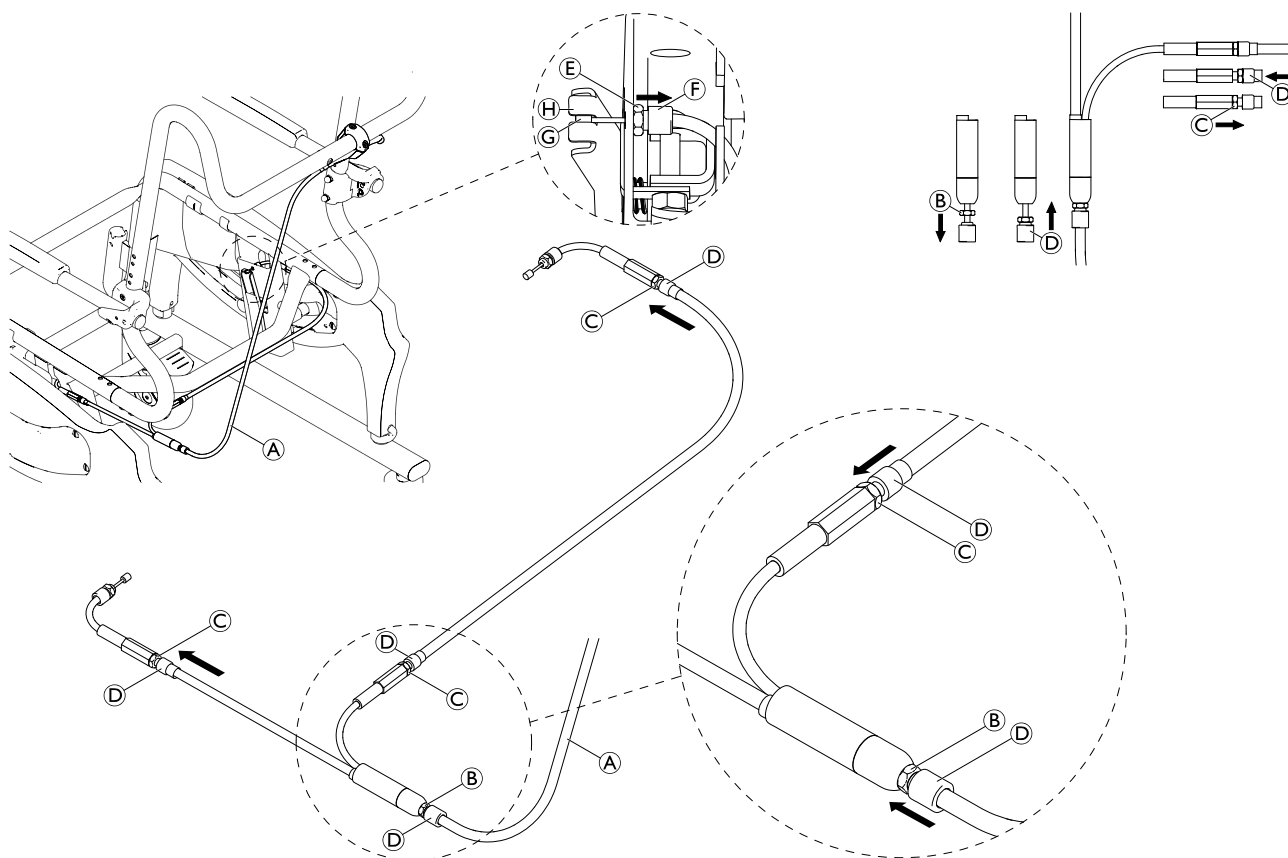




## 5.12 Utbygging av Bowden-kabelen for setevinging (Ocean VIP Ergo / Ocean Dual VIP Ergo)



Unbrakonøkkel (4)



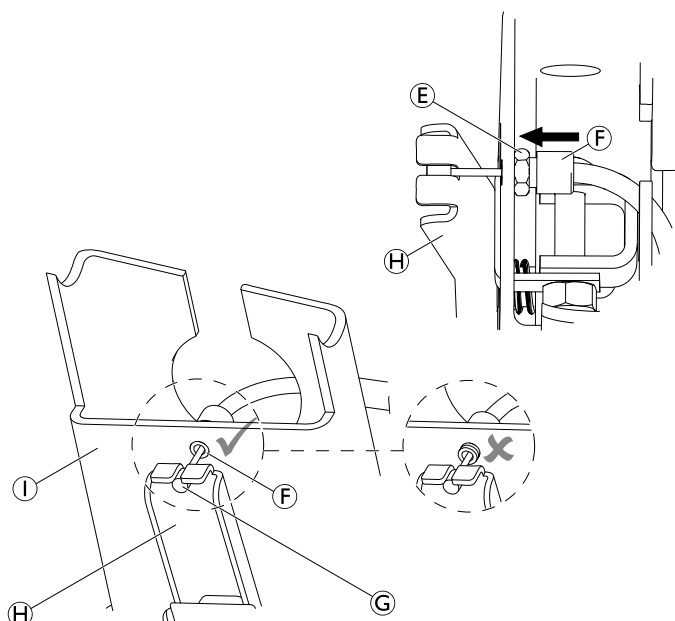
1. Fjern seteplaten for enklere tilgang, se i den sammenheng bruksanvisningen.
2. Fjern bremsedekelet, se i den sammenheng bruksanvisningen.
3. Fjern kabelstrips.
4. Fri Bowden-tråden **A** fra spenning. Løsne derfor alle muttere **C** på støtkabel-justererene og mutteren **B** helt fra distributøren. Skru gjengede hylstre **D** helt inn i alle støtkabel-justerere og distributøren.
5. Løsne mutterene **E** på alle kabelender.
6. Løsne den gjengede hylsen **F** på enden av kabelen og heng kabelendene **G** ut av bremsespakene **H**.

**i** Dersom Bowden-kabelen må erstattes uten aktiveringshåndtaket, må Bowden-kabelen fjernes fra aktiveringshåndtaket. Se kapittel 5.10 Utbytte av gassfjæren - utløsermekanisme - Bowden-kabel til vipping av ryggene (Ocean Dual VIP / Ocean Dual VIP Ergo), side 138. Dersom aktiveringshåndtaket inkludert Bowden-kabelen må erstattes, må aktiveringshåndtaket erstattes, se bruksanvisning.

7. Installer den nye Bowden-kabelen (kortere ende på venstre side) og fest kabelens ender **G** i bremsespakene **H**. Skru inn den gjengede hylsen **F** til den er jevn med bremsehuset **I**.

**i** Den gjengede hylsen må ikke overlappe.

8. Lås mutteren **E**.



## Justering av systemet

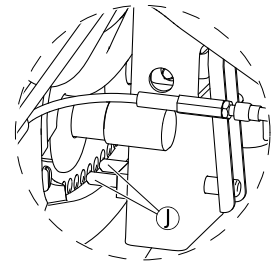


Unbrakonøkkel (4)

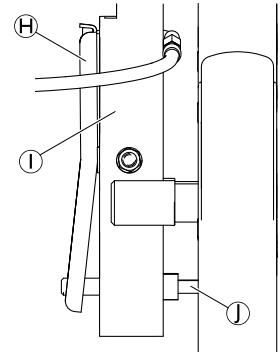
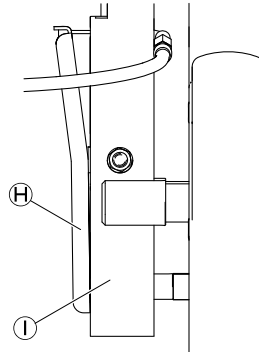


### VIKTIG!

- Bremsepinnene ① må være helt ute av hullene på siden når bremsehåndtaket aktiveres, og bremsepinnene må være koblet til når bremsehåndtaket slippes.
- Bremsepinnene må dras ut samtidig på begge sider, og det må være et synlig mellomrom mellom siden og bremsepinnen når bremsehåndtaket er aktivert.
- Bremsespakene ② på være jevne med bremsehuset ① når bremsehåndtaket utløses / aktiveres.



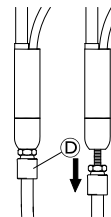
Fjern sidedeksler for bedre oversikt og enklere tilgang.



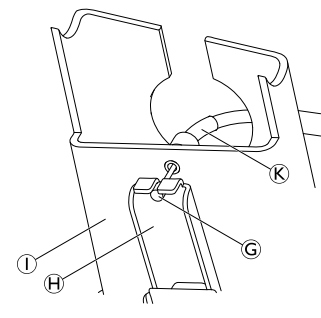
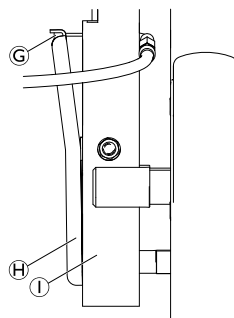
1. Løsne den gjengede hylsen ④ så mye som mulig på distributøren. Dette reduserer mellomrommet mellom enden av kabelen ③ og bremsespaken ②. Dermed reduseres avstanden fra utløseren til bremsehåndtaket.



Sikre at de svarte plastikkhylsene ⑤ er riktig posisjonert under justering.



2. Sørg for at nedre del av bremsespaken ② er jevn med bremsehuset ①.
3. Dra i enden på kabelen ③ for å kontrollere bevegelsen. Justeringen er bra når man ikke kan dra ut enden av kabelen.
4. Dersom det er forskjell i mellomrom på høyre og venstre side, må det justeres. Løsne derfor den gjengede hylsen på støtkabel-justereren på siden det gjelder.
5. Lås mutterne ⑥ og ⑦ når justeringene er bra (se kapittelets første illustrasjon).
6. Sjekk vippefunksjonen. Bremsepinnene må låses riktig i alle posisjoner.
7. Monter kabelstripsene.
8. Monter alle deksel.



## 5.13 Tilskjæring av hodestøtte / fotstøtte / amputasjonsstøtte til lengde

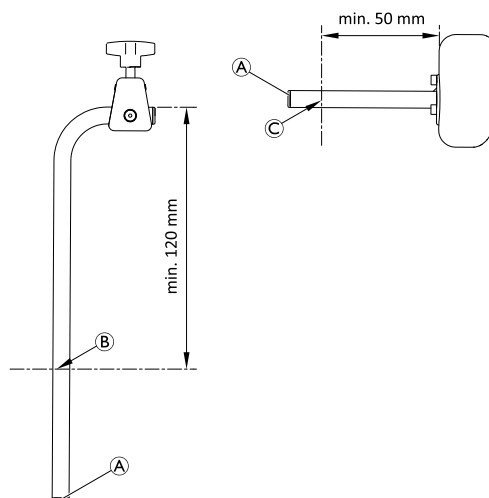


Unbrakonøkkel (M6 / SW4), sag, linjal, drill med bor  $\varnothing$  8,1



### Hodestøtte

1. Fjern støpsel **A**.
2. Skjær til høydejusteringsrøret **B** til lengde (min. gjenværende lengde 120 mm).
3. Skjær til dybdejusteringsrøret **C** til lengde (min. gjenværende lengde 50 mm).
4. Avgrader alle skarpe kanter.
5. Sett tilbake støpsel.



### Fotstøtte

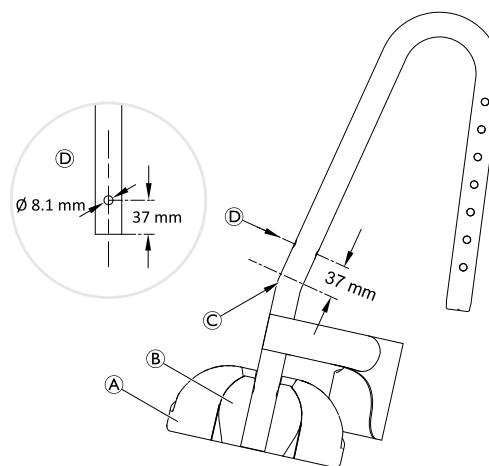
1. Fjern fotplaten **A** og veivleddet **B**.
2. Skjær til røret til rett over bøyen **C**.
3. Drill et hull på  $\varnothing$  8,1 mm **D**, 37 mm fra rørets nedre kant.
4. Avgrader alle skarpe kanter.
5. Monter veivleddet og fotplaten igjen.



Se kapittel 5.5 *Utbyting av fotplatene, side 133* for fjerning/installering av fotplater.

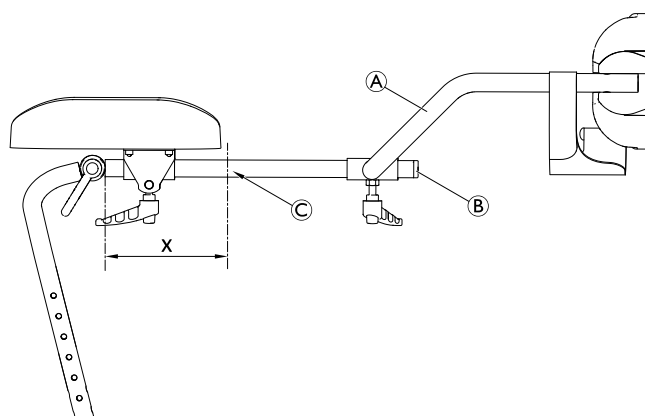


Se kapittel 5.5.2 *Fjerning/installering av veivledd, side 134* for fjerning/installering av veivledd.



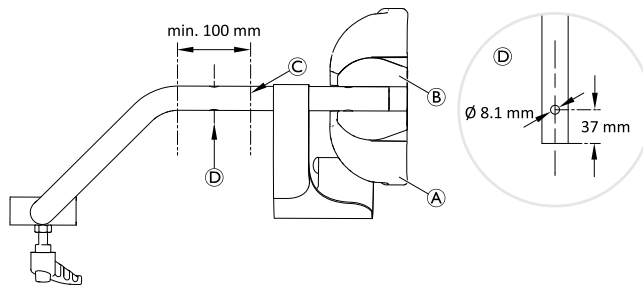
### Amputasjonsstøtte


1. Fjern fotstøttemonteringen **A**.
2. Fjern støpselet **B**.
3. Skjær til rør **C** til lengde (min. gjenværende lengde x mm).  
Ved bruk av fotstøtte x = 140 mm  
Uten bruk av fotstøtte x = 80 mm
4. Avgrader alle skarpe kanter.
5. Sett tilbake støpselet.
6. Monter fotstøtten igjen (ved behov).




### Amputasjonsstøtte (fotstøtte)

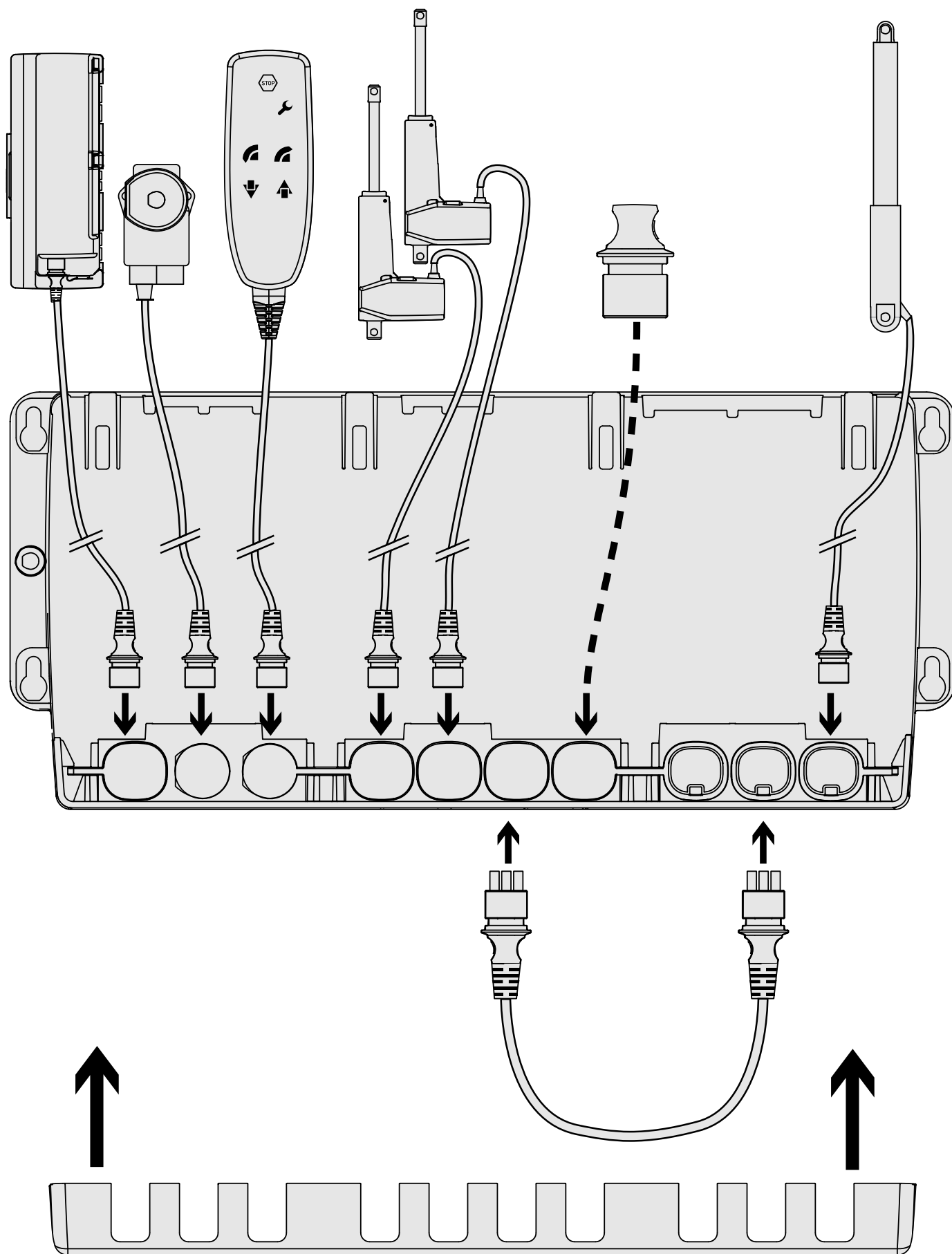
1. Fjern fotplaten **A** og veivleddet **B**.
2. Skjær til røret **C** til lengde (min. gjenværende lengde 100 mm).
3. Drill et hull på  $\varnothing$  8,1 mm **D**, 37 mm fra rørets nedre kant.
4. Avgrader alle skarpe kanter.
5. Monter veivleddet og fotplaten igjen.



 Se kapittel 5.5 *Utbytting av fotplatene*, side 133 for fjerning/installering av fotplater.


 Se kapittel 5.5.2 *Fjerning/installering av veivledd*, side 134 for fjerning/installering av veivledd.


### 5.14 Koblingsdiagram (Ocean E-VIP)

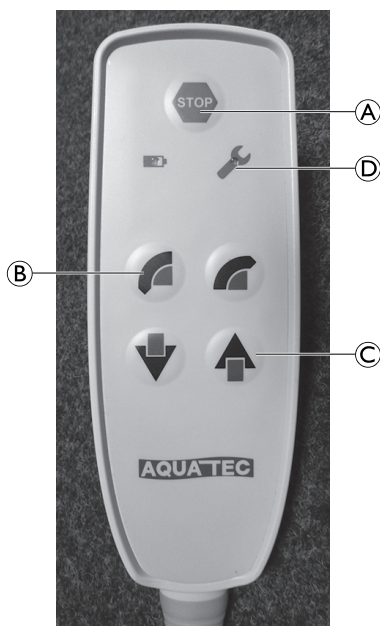


### Utføre en nullstilling av utstyret

1. Hold inne følgende tre knapper samtidig på håndkontrollen i omtrent tre sekunder: Rød STOPP-knapp (A), fremover-knapp (B) og opp-knapp (C). Mens du holder inne de tre knappene, avgir utstyret et lydsignal.
2. Slipp knappene når service-indikatorlampen (D) slukker. Enheten er klar til bruk igjen.
3. Beveg deretter drivenhetene for høydejustering mot laveste stilling helt til du hører at drivenhetene kobler ut.
4. Beveg deretter vinklingsdreven mot bakre endestilling helt til du hører at drivenheten kobler ut. (Den røde indikatorlampen blinker, og det kommer et lydsignal.)

 Bytt ut låseklipsene med nye dersom løftemotorene erstattes.

 Sørg for at alle kablene er reinstallert likt som da de ankom etter erstatning av komponenter.



---

# Innehållsförteckning

---

ÅTERFÖRSÄLJARE: Behåll den här manualen. Procedurerna i den här manualen får ENDAST utföras av en kvalificerad tekniker.

<b>1 Allmänt</b>	<b>152</b>
1.1 Inledning	152
1.2 Symboler som används i manualen	152
<b>2 Säkerhet</b>	<b>153</b>
2.1 Allmän säkerhetsinformation	153
2.2 Information om personsäkerhet	153
2.3 Elsäkerhetskontroll	153
<b>3 Service</b>	<b>154</b>
3.1 Inspektionschecklista	154
3.2 Reservdelar	154
3.3 Färgkoder för ramen	154
<b>4 Rekonditionering</b>	<b>155</b>
4.1 Rengöring och desinfektion	155
4.2 Materialöversikt	155
4.3 Rekonditioneringsplan	155
<b>5 Instruktioner</b>	<b>159</b>
5.1 Allmän reparationsinformation	159
5.2 Byta armstödet (= > 01/2021)	159
5.2.1 Byta armstödsdynan (= > 01/2021)	159
5.3 Byta armstödet (02/ 2021 =>)	160
5.4 Byta ut fotstödet hållare (Ocean VIP/Ocean Dual VIP/Ocean E-VIP)	161
5.5 Byta ut fotplattorna	161
5.5.1 Byta ut den böjbara hälbandsspinnen	162
5.5.2 Ta bort/sätta dit vridleden	162
5.6 Byta ut styrhjulen	162
5.6.1 Ta bort/montera hjulen	163
5.7 Byta ut de inre/ytte sidodelarnas skydd (Ocean VIP Ergo/Ocean Dual VIP Ergo)	163
5.8 Byta ut sitsens lagerfäste (Ocean VIP Ergo/Ocean Dual VIP Ergo)	164
5.9 Byta ut sidodelarna (Ocean VIP Ergo/Ocean Dual VIP Ergo)	165
5.10 Byta ut gasfjädern – frigöringsmekanismen – Vajern till tilten för ryggstödet lutning (Ocean Dual VIP/Ocean Dual VIP Ergo)	166
5.11 Byta ut gasfjädern – frigöringsmekanismen – Vajern för sitslutning (Ocean VIP/Ocean Dual VIP)	171
5.12 Byta ut vajern till tilten för sitslutning (Ocean VIP Ergo/Ocean Dual VIP Ergo)	173
5.13 Kapa huvudstödet/fotstödet/amputeringsstödet längd	175
5.14 Kopplingsdiagram (Ocean E-VIP)	177

# 1 Allmänt

## 1.1 Inledning

Den här manualen innehåller viktig information om montering, justering och avancerat underhåll av produkten. Läs igenom den noga och följ säkerhetsinstruktionerna för att försäkra dig om att du hanterar produkten på ett säkert sätt.

Bruksanvisningen finns på hemsidan för Invacare. Du kan också kontakta ett ombud för Invacare. Adresser finns i slutet av den här manualen.

Invacare förbehåller sig rätten att ändra produktspecifikationerna utan ytterligare meddelande.

Kontrollera att du har den senaste versionen av den här manualen innan du läser den. Du hittar den senaste versionen som PDF-fil på webbplatsen för Invacare.

Säljinformation och användarinformation finns i bruksanvisningen.

Kontakta en Invacare-representant om du vill ha mer information om produkten, till exempel produktsäkerhetsmeddelanden och produktåterkallelser. Adresser finns i slutet av det här dokumentet.

## 1.2 Symboler som används i manualen

Symboler och signalord som används i denna manual och gäller för faror eller farliga förfaranden som kan leda till personskador eller skador på egendom. Symbolerna definieras nedan.



### VARNING

Anger en riskfylld situation som kan leda till allvarlig skada eller dödsfall om den inte undviks.



### FÖRSIKTIGT

Anger en riskfylld situation som kan leda till lättare skada om den inte undviks.



### VIKTIGT

Anger en riskfylld situation som kan leda till produktskada om den inte undviks.



### Råd

Ger användbara råd, rekommendationer och information för en effektiv och problemfri användning.



### Verktyg

Identifierar vilka verktyg, komponenter och föremål som behövs för att utföra visst arbete.



## 2 Säkerhet

### 2.1 Allmän säkerhetsinformation



**VARNING!**

**Risk för personskador och egendomsskada**

- Procedurerna i denna manual ska endast utföras av en kvalificerad tekniker.
- Använd endast originaltillbehör och originalreservdelar.
- Hantera inte produkten eller någon tillvalsutrustning innan du har läst och förstått de här instruktionerna och eventuellt ytterligare instruktionsmaterial som bruksanvisningar, installationsmanualer eller instruktionsblad som medföljer produkten eller tillvalsutrustningen.
- Kontrollera att alla muttrar har dragits åt ordentligt och att alla delar fungerar korrekt vid varje montering.



**VARNING!**

**Risk för kontaminering**

- Rengör och desinficera produkten noggrant före service.



**VIKTIGT!**

- Montering av tillbehör beskrivs eventuellt inte i den här servicemanualen. Se manualen som medföljer tillbehöret.
- Ytterligare manualer kan erhållas på begäran. Adresser finns i slutet av det här dokumentet.



**VIKTIGT!**

- Vissa reservdelar kan endast köpas som en del av en sats. Använd alltid hela den nya satsen när komponenten byts ut.
- Reservdelar kan beställas från Invacare. Besök din lokala Invacare-webbsida för att hitta den elektroniska reservdelskatalogen (ESPC).



**VIKTIGT!**

- Mer information om denna produkt finns i bruksanvisningen på
- Tekniska data
  - Produktkomponenter
  - Märkning
  - Ytterligare säkerhetsinstruktioner
  - Instruktioner för rengöring och desinfektion



Informationen i det här dokumentet kan ändras utan föregående meddelande.

### 2.2 Information om personsäkerhet

Dessa säkerhetsinstruktioner är avsedda att hjälpa till att förhindra olyckor under arbetet och måste följas under alla omständigheter.

All personal som kommer i kontakt med kontaminerade produkter måste regelbundet besöka företagsläkare. Arbetskläder och personlig skyddsutrustning måste vara tillgängliga i tillräcklig mängd och i gott skick. Verksamt hand- och ytdesinficeringsmedel måste finnas.



**VARNING!**

**Risk för kontaminering**

- Rengör och desinficera produkten innan reparationer utförs.

### 2.3 Elsäkerhetskontroll



**VIKTIGT!**

Regelbundna elkontroller i enlighet med EN 62353 (VDE0751) måste utföras enligt nationella krav.

1. Inspektera alla elektroniska komponenter beträffande eventuella skador på hölje eller kabel, testa funktioner och undersök om det finns läckström.

## 3 Service

### 3.1 Inspektionschecklista

<b>Allmän inspektion</b>	☺	☹
Är produkten i gott skick och är den komplett (produkt och tillbehör)?	<input type="checkbox"/>	<input type="checkbox"/>
Är produkten fri från skador och svagheter av alla slag?	<input type="checkbox"/>	<input type="checkbox"/>
Fungerar produkten som den ska under nominell belastning?	<input type="checkbox"/>	<input type="checkbox"/>
Fungerar produkten helt och hållet i enlighet med bruksanvisningen?	<input type="checkbox"/>	<input type="checkbox"/>
<b>Uteslutande av fel</b>	☺	☹
Har alla fel som hittats åtgärdats, och har felaktiga komponenter bytts ut?	<input type="checkbox"/>	<input type="checkbox"/>
Sitter alla skruvar/bultar fast ordentligt och är produkten ordentligt monterad?	<input type="checkbox"/>	<input type="checkbox"/>
<b>Slutföra kontroller</b>	☺	☹
Är produkten tekniskt och funktionsmässigt säker?	<input type="checkbox"/>	<input type="checkbox"/>
Har produkten rengjorts och desinficerats?	<input type="checkbox"/>	<input type="checkbox"/>

Är serienummeretiketten lätt att läsa och sitter den fast ordentligt på produkten?	<input type="checkbox"/>	<input type="checkbox"/>
Har produkten levererats med den senaste versionen av bruksanvisningen?	<input type="checkbox"/>	<input type="checkbox"/>

### 3.2 Reservdelar



#### **WARNING!**

Endast originalreservdelar får användas för alla reparationer. I annat fall blir garantin och försäkringen om produktens överensstämmelse ogiltiga.

Alla reservdelar måste beställas från Invacare kundserviceavdelning. En elektronisk reservdelskatalog finns på [www.invacare.se](http://www.invacare.se).

### 3.3 Färgkoder för ramen

Del	Färgkod (RAL)
Ramrör	Vit, RAL 9003
Basrör (Ocean E-VIP)	Grå RAL7042/olackerat
Fotstödsrör/huvudstödsrör	olackerat
Armstödsställare	Blå, RAL 5002

## 4 Rekonditionering

### 4.1 Rengöring och desinfektion

Produkten kan rengöras och desinficeras med vanliga rengöringsmedel.

1. Ta bort eventuella tillbehör som monterats (endast tillbehör som inte kräver verktyg).
2. Dra ut fotstöden ur skenorna.
3. Ta bort sittplattan och ryggstödsklädseln.
4. För Ocean VIP Ergo/Ocean Dual VIP Ergo: Ta av bromsskydden och klämskydden.
5. Torka av delarna med en trasa eller borste och vanligt rengöringsmedel och desinfektionsmedel.
6. Skölj delarna med varmt vatten.
7. Torka delarna med en trasa.
8. Sätt ihop produkten igen.



#### VIKTIGT!

Alla rengöringsmedel och desinfektionsmedel som används måste vara effektiva, kompatibla med varandra och måste skydda de material som de är avsedda att rengöra. För ytterligare information om dekontaminering i vårdmiljö hänvisar vi till lokala riktlinjer för hur man förhindrar smittspridning samt lokal smittskyddspolicy.

- Rengör för hand, i tvättmaskin eller i autoklav.
- Använd inga slipande rengöringsmedel.

#### Rengöring i klinisk miljö



Förutom den rengöring som beskrivs ovan rekommenderar vi att produkten rengörs efter varje patientutskrivning, efter avslutad användningsperiod eller med regelbundet intervall (beroende på vad som kommer först) enligt följande:

- 90 °C i 1 minut
- 85 °C i 3 minuter
- 80 °C i 10 minuter

i tvättmaskin eller i autoklav.



#### FÖRSIKTIGT!

**Risk för att du bränner dig**

- Låt produkten svalna efter rengöring i autoklaven.

#### Rengöra ryggstödsklädseln

1. Ta loss ryggstödsklädseln.
2. Tvätta klädseln i tvättmaskin i högst 60 °C med mild tvättmedel.

### 4.3 Rekonditioneringsplan

Följande måste granskas och kontrolleras när rekonditionering ska utföras:

#### Allmänt

	Kontrollera	Åtgärd	OK
1	Att alla delar är korrekt monterade, alla skruvar åtdragna inkl. hjul	Dra åt skruvarna, med gänglås om tillämpligt. Se bilden ovan för vridmoment.	<input type="checkbox"/>



#### VIKTIGT!

**Risk för skador**

- Vid högre tvättemperatur kan klädseln skadas.
- Klädseln får inte torktumlas.



#### VIKTIGT!

Överdriven rengöring kan skada tyget.

- Vi rekommenderar att du byter ryggstödsklädseln vartannat år av hygienskäl.

#### Rengöra toalettskålen (tillval)

Toalettskålen kan rengöras i en autoklav vid följande temperaturer/tider:

- 90 °C i 1 minut
- 85 °C i 3 minuter
- 80 °C i 10 minuter.

#### Desinfektion

1. Desinficera produkten genom att torka av alla åtkomliga ytor med desinfektionsmedel (efter att produkten har monterats isär, om möjligt).

### 4.2 Materialöversikt

Produktmaterialen beskrivs i respektive bruksanvisning.

Tillbehörens material beskrivs i följande tabell:

Tillbehör	Material
Specialmjüksits/Justerbar mjuk sits/Mjuk sits	Polyuretan
Stänkskydd i Ocean-serien	Polyuretan
Stänkskydd i Ocean Ergo-serien	Polypropylen
Komfortryggstöd	Vinylleder/PVC-foder
Ryggstöd	Polyetylen med hög densitet
Huvudstödsdynor/sidostöd	Polyuretan
Vad- och amputationsstöd/vadstöd med fotstöd	Polyuretan (benstöd)/Polypropylen (fotstöd)
Toalettskålshållare	Rostfritt stål
Toalettskål med lock	Polypropylen

**Ram (alla ramdelar, rör inkl. ryggstöd)**

	Kontrollera	Åtgärd	OK
1	Om det finns mekanisk skada på ramdelarna (sprickor, frakturer)	Kassera ramen och byt ut den mot en ny, se 5.9 <i>Byta ut sidodelarna (Ocean VIP Ergo/Ocean Dual VIP Ergo), Sida 165</i> i respektive bruksanvisning.  Kassera annars produkten.	<input type="checkbox"/>
2	om det finns mekaniska skador på tippskyddet (Ocean Dual VIP/Ocean Dual VIP Ergo)	Byt ut tippskyddet, se bruksanvisningen.	<input type="checkbox"/>

**Sidodelar**

	Kontrollera	Åtgärd	OK
1	Mekanisk skada	Kassera sidodelarna och byt ut dem mot nya, se 5.9 <i>Byta ut sidodelarna (Ocean VIP Ergo/Ocean Dual VIP Ergo), Sida 165</i> i respektive bruksanvisning.	<input type="checkbox"/>

**Sits**

	Kontrollera	Åtgärd	OK
1	Om det finns skador på sitsen (sprickor, vassa kanter)	Byt ut sitsen, se bruksanvisningen.	<input type="checkbox"/>
2	Svajande, mindre stabil sits		<input type="checkbox"/>
3	Om det finns skadade fästen på undersidan		<input type="checkbox"/>

**Ryggstödsklädsel**

	Kontrollera	Åtgärd	OK
1	Om det finns skador på ryggstödsklädseln (sprickor, öppna sömmar, skadade spännen)	Byt ut ryggstödsklädseln, se bruksanvisningen.	<input type="checkbox"/>

**Fotstöd**

	Kontrollera	Åtgärd	OK
1	Om det finns skador på fotplattan (sprickor, vassa kanter)	Byt ut fotplattorna, 5.5 <i>Byta ut fotplattorna, Sida 161</i>	<input type="checkbox"/>
2	Om det finns skador på fotstödet fäste vid ramen (Ocean VIP/Ocean E-VIP)	Byt ut fotstödet fäste, 5.4 <i>Byta ut fotstödet hållare (Ocean VIP/Ocean Dual VIP/Ocean E-VIP), Sida 161</i>	<input type="checkbox"/>
3	Om rören är skadade	Byt ut hela fotstödet mot ett nytt, se bruksanvisningen.	<input type="checkbox"/>
4	Om fästklämmorna är skadade	Byt ut fotstödet fästklämmor mot nya.	<input type="checkbox"/>

**Armstöd**

	Kontrollera	Åtgärd	OK
1	Om det finns skador på armstödsrören eller armstödet hållare (sprickor, vassa kanter)	Byt ut armstödet mot ett nytt, 5.2 <i>Byta armstödet (= &gt; 01/2021), Sida 159</i>	<input type="checkbox"/>
2	Om det finns skador på armstödsdynorna (sprickor, vassa kanter)	Byt ut armstödsdynan, 5.2.1 <i>Byta armstödsdynan (= &gt; 01/2021), Sida 159</i>	<input type="checkbox"/>

## Länkhjul

	Kontrollera	Åtgärd	OK
1	Tröga eller skadade svänglager	Byt ut hela hjulet mot ett nytt, 5.6 Byta ut styrhjulen, Sida 162	<input type="checkbox"/>
2	Trögt hjul (lager)		<input type="checkbox"/>
3	Om hjulens rullytor är skadade		<input type="checkbox"/>
4	Om hjulgaffeln är skadad		<input type="checkbox"/>
5	Att monteringsbultarna är ordentligt åtdragna i ramen	Byt ut monteringsbultarna och applicera nytt gänglåsningsmedel.	<input type="checkbox"/>

## 24 tum-hjul (Ocean/Ocean Ergo)

	Kontrollera	Åtgärd	OK
1	Om 24 tum-hjulen är skadade	Byt ut 24 tum-hjulen, se monteringsanvisningen.	<input type="checkbox"/>
2	Att bromsen fungerar som den ska (hjulen måste låsas)	Justera bromsarna eller byt ut dem, se monteringsanvisningen.	<input type="checkbox"/>
3	att 24 tum-hjulen är rätt monterade, låssprintarna ska sticka ut förbi navets ände så att de kan frigöras helt.	Justera navet eller byt ut navet eller axeln, se monteringsanvisningen.	<input type="checkbox"/>

## Huvudstöd (Ocean VIP/Ocean Dual VIP/Ocean E-VIP/Ocean VIP Ergo/Ocean Dual VIP Ergo)

	Kontrollera	Åtgärd	OK
1	Om huvudstödet hårda delar är skadade (sprickor, vassa kanter)	Byt ut huvudstödet, se monteringsanvisningen.	<input type="checkbox"/>
2	Om huvudstödet dyna är skadad	Byt ut huvudstödet dyna, se monteringsanvisningen.	<input type="checkbox"/>

## Sitslutningsmekanismen (Ocean VIP/Ocean Dual VIP/Ocean VIP Ergo/Ocean Dual VIP Ergo)

	Kontrollera	Åtgärd	OK
1	Om det finns skador på Bowden-ledningssystemet eller kabelhöljerna	Byt ut Bowden-ledningssystemet, 5.12 Byta ut vajern till tilten för sitslutning (Ocean VIP Ergo/Ocean Dual VIP Ergo), Sida 173/5.11 Byta ut gasfjädern – frigöringsmekanismen – Vajern för sitslutning (Ocean VIP/Ocean Dual VIP), Sida 171	<input type="checkbox"/>
2	Om aktiveringshandtaget är skadat	Byt ut aktiveringshandtaget, se bruksanvisningen.	<input type="checkbox"/>
3	Att lutning och fixering av stolsläge fungerar, det måste vara enkelt att luta stolens läge och det ska kunna låsas säkert.	Justera Bowden-kabeln, 5.12 Byta ut vajern till tilten för sitslutning (Ocean VIP Ergo/Ocean Dual VIP Ergo), Sida 173/5.11 Byta ut gasfjädern – frigöringsmekanismen – Vajern för sitslutning (Ocean VIP/Ocean Dual VIP), Sida 171  Endast för Ocean VIP Ergo/Ocean Dual VIP Ergo:  Om lutning till en vinkel under 0° inte är möjlig ska du ta bort tiltstop fram (tillbehör) vid behov. Se tillbehörets monteringsinstruktioner.	<input type="checkbox"/>
4	om gasfjädern är skadad	Byt ut gasfjädern, 5.12 Byta ut vajern till tilten för sitslutning (Ocean VIP Ergo/Ocean Dual VIP Ergo), Sida 173/5.11 Byta ut gasfjädern – frigöringsmekanismen – Vajern för sitslutning (Ocean VIP/Ocean Dual VIP), Sida 171	<input type="checkbox"/>
5	om frigöringsmekanismen är skadad	Byt ut frigöringsmekanismen, 5.12 Byta ut vajern till tilten för sitslutning (Ocean VIP Ergo/Ocean Dual VIP Ergo), Sida 173/5.11 Byta ut gasfjädern – frigöringsmekanismen – Vajern för sitslutning (Ocean VIP/Ocean Dual VIP), Sida 171	<input type="checkbox"/>

**Ryggstödet lutningsmekanism (Ocean Dual VIP/Ocean Dual VIP Ergo)**

	Kontrollera	Åtgärd	OK
1	Om det finns skador på Bowden-ledningssystemet eller kabelhöljerna	Byt ut Bowden-ledningssystemet, 5.10 Byta ut gasfjäders – frigöringsmekanismen – Vajern till tilten för ryggstödet lutning (Ocean Dual VIP/Ocean Dual VIP Ergo), Sida 166	<input type="checkbox"/>
2	Om aktiveringshandtaget är skadat	Byt ut aktiveringshandtaget, se bruksanvisningen.	<input type="checkbox"/>
3	Att lutning och fixering av stolsläge fungerar, det måste vara enkelt att luta stolens läge och det ska kunna låsas säkert.	Justera Bowden-kabeln, 5.10 Byta ut gasfjäders – frigöringsmekanismen – Vajern till tilten för ryggstödet lutning (Ocean Dual VIP/Ocean Dual VIP Ergo), Sida 166	<input type="checkbox"/>
4	Om gasfjäders är skadad	Byt ut gasfjäders, 5.10 Byta ut gasfjäders – frigöringsmekanismen – Vajern till tilten för ryggstödet lutning (Ocean Dual VIP/Ocean Dual VIP Ergo), Sida 166	<input type="checkbox"/>
5	om frigöringsmekanismen är skadad	Byt ut frigöringsmekanismen, 5.10 Byta ut gasfjäders – frigöringsmekanismen – Vajern till tilten för ryggstödet lutning (Ocean Dual VIP/Ocean Dual VIP Ergo), Sida 166	<input type="checkbox"/>

**Täckplåtar (Ocean VIP Ergo/Ocean Dual VIP Ergo)**

	Kontrollera	Åtgärd	OK
1	Om det finns skador på bromsskyddsplåtarna, klämskydden och lutningsmekanismens hölje	Byt ut skadade klämskydd mot ett nytt, se bruksanvisningen.  Byt ut lutningsmekanismens hölje, 5.7 Byta ut de inre/yttre sidodelarnas skydd (Ocean VIP Ergo/Ocean Dual VIP Ergo), Sida 163	<input type="checkbox"/>

**Elektrisk höjdjustering/lutning (Ocean E-VIP)**

	Kontrollera	Åtgärd	OK
1	Om det finns skador på kablarna	Byt ut skadade komponenter mot nya.	<input type="checkbox"/>
2	Om manöverdosan är skadad	Byt ut manöverdosan mot en ny.	<input type="checkbox"/>
3	Om elektronikåpan är skadad	Byt ut elektronikåpan mot en ny, se bruksanvisningen.	<input type="checkbox"/>
4	Att höjdjusteringen/lutningsjusteringen och nödfrigöringen fungerar som de ska.	Se bruksanvisningen (kapitlet Felsökning).	<input type="checkbox"/>

**Tillbehör**

	Kontrollera	Åtgärd	OK
1	Om tillbehören är skadade	Byt ut en defekt komponent eller hela tillbehöret	<input type="checkbox"/>

## 5 Instruktioner

### 5.1 Allmän reparationsinformation

Reparation fordrar en hög grad av expertis. Därför är de olika åtgärderna i dessa monteringsanvisningar indelade i tre kategorier:

Krav	Symbol
Lätt – teknisk förståelse krävs	■□□
Medel – tekniskt kunnande krävs	■ ■ □
Svårt – tekniskt kunnande och expertis inom montering krävs	■ ■ ■

Nödvändiga verktyg och deras storlek anges före instruktionerna.

### 5.2 Byta armstödet (=> 01/2021)

för äldre modeller fram till januari 2021



Insexnyckel (4 mm)

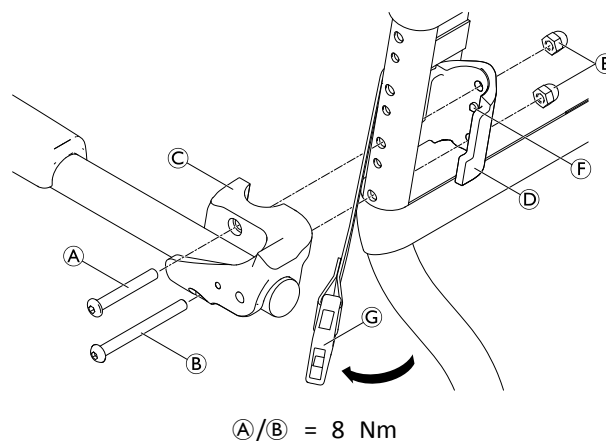


1. Skruva ur skruvarna **A** och **B** på armstödsfästet **C** med den medföljande insexnyckeln.
2. Ta bort fästklämman **D** med muttrarna **E** från insidan av ryggstödsramen.
3. Ta bort armstödsfästet **C** med armstödet.



Det mindre hålet är till för att fixera fästklämman.

4. Sätt i skruvarna i det nya armstödsfästet och för in dem genom hålen i ryggstödsramen.
5. Sätt tillbaka muttrarna i fästklämman vid behov.
6. Sätt fasthållningsklämman på ryggstödsramen så att fixeringen **F** på fasthållningsklämman tränger in i det mindre hålet.
7. Fäst skruvarna i muttrarna och dra åt dem.
8. Utbytesproceduren är likadan för det högra och vänstra armstödet.



(A)/B = 8 Nm

#### 5.2.1 Byta armstödsdynan (=> 01/2021)

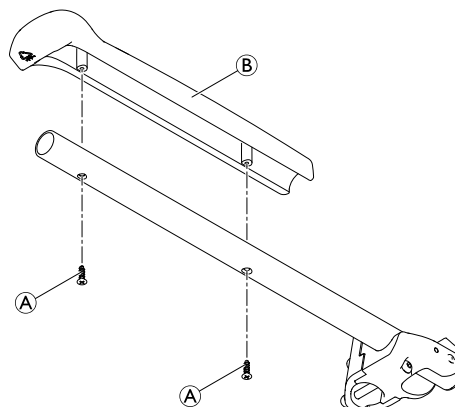
för äldre modeller fram till januari 2021



Stjärnskruvmejsel



1. Ta bort skruvarna **A**.
2. Byt ut armstödsdynan **B**.
3. Sätt tillbaka skruvarna och dra åt.



(A) = Dras åt för hand.

## 5.3 Byta armstödet (02/ 2021 =>)

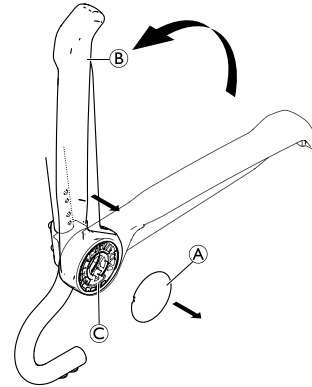
för nya modeller från och med februari 2021




Insexnyckel (4 mm)




1. Dra detta bälte på insidan av ryggstödsramen och stäng det igen.
2. Ta bort hatt **A**.
3. Fäll upp armstödet **B** för att dra av det från armstödsfästet **C**.



4. Ta bort skruvarna **D** från armstödsfästet **C** med den medföljande insexnyckeln.
5. Ta bort fästklämman **E** med muttrarna **F** från insidan av ryggstödsramen.

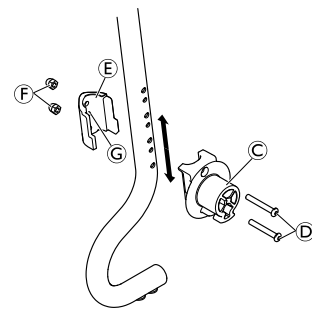
 Muttrarna sitter löst i fästklämman och kan trilla ut.

6. Sätt tillbaka armstödsfästet och fästklämman i önskat läge genom att sätta i skruvarna **D** i armstödsfästet och föra in dem genom önskade hål i ryggstödsramen.

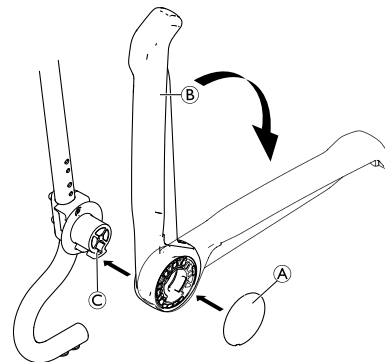
 De mindre hålen på insidan av ryggstödsramen fixerar fästklämman.

7. Placera fästklämman så att fixeringen **G** på fästklämman hakar i det mindre hålet.
8. Dra åt skruvarna **D**.

9. Sätt tillbaka armstödet **B** på fästet **C**.
10. Fäll ned armstödet.
11. Sätt tillbaka hatten **A**.
12. Utbytesproceduren är likadan för det högra och vänstra armstödet.



**D** = 8 Nm






## 5.4 Byta ut fotstödet hållare (Ocean VIP/Ocean Dual VIP/Ocean E-VIP)




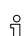
Insexnyckel (4 mm)



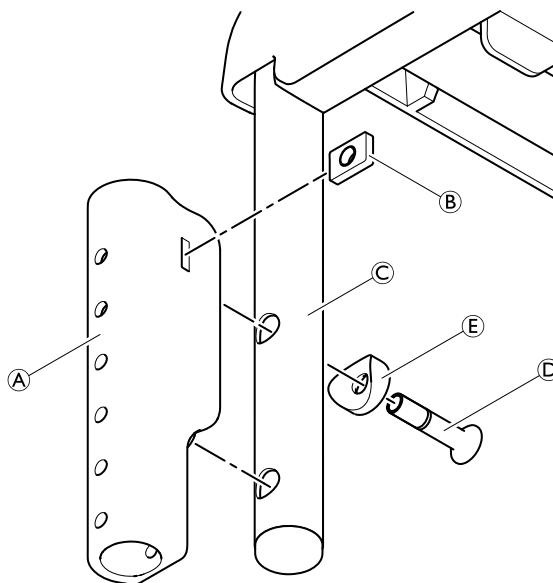
1. Ta bort bulten ④ och distansstycket ⑤.
2. Ta bort fotstödet hållare ① från ramröret ③.

 Sätt dit fotstödet hållare genom att utföra steg 1 och 2 i omvänd ordning.

 Se till att de båda styrripplarna på baksidan av fotstödet hållare passar in med hålen på ramröret när du sätter tillbaka den.

 Se till att den gängade skenan ② monteras i skåran på fotstödet hållare.

④ = 7 Nm




## 5.5 Byta ut fotplattorna



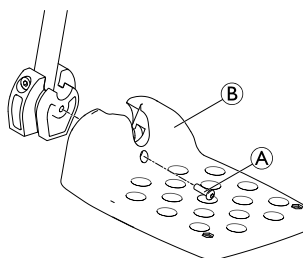
Insexnyckel (4 mm)



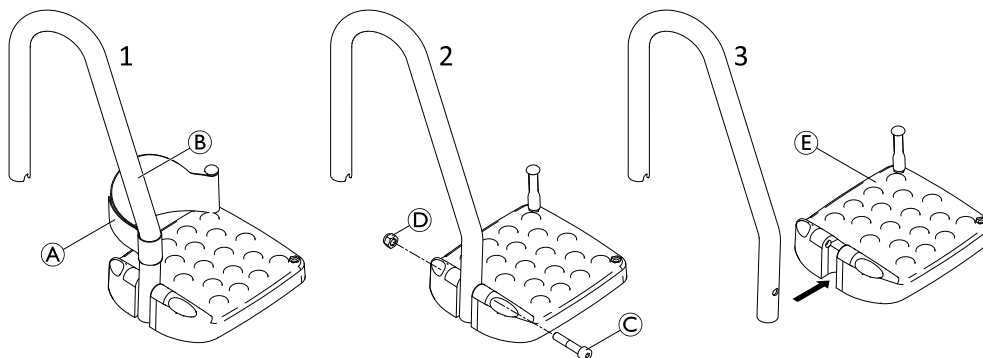
1. Ta bort hälbandet från fotstödsröret.
2. Ta bort bulten ①.
3. Ta bort fotplattan ②.

 Sätt dit fotplattan genom att utföra steg 1 och 3 i omvänd ordning.


① = 2–3 Nm



### Ocean E-VIP:



1. Ta bort hälbandet ① från fotstödsröret ②.
2. Ta bort bulten ③ och muttern ④.
3. Ta bort fotplattan ⑤.

 Sätt dit fotplattan genom att utföra steg 1 och 3 i omvänd ordning.

③ = 4–5 Nm

## 5.5.1 Byta ut den böjbara hälbandspinnen



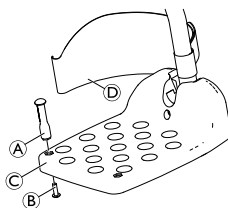
Stjärnskruvmejsel



1. Ta bort den böjbara hälbandspinnen **A** genom att skruva ut skruven **B** på undersidan av fotplattan **C**.
2. Ta bort hälbandet **D**.



Sätt tillbaka den böjbara hälbandspinnen genom att utföra stegen 2–1 (dvs stegen ovan i omvänd ordning).



**B** = 4 Nm

## 5.5.2 Ta bort/sätta dit vridleden

Om benstödsrören måste kapas på längden måste vridlederna tas bort.



Insexnyckel (6 mm)

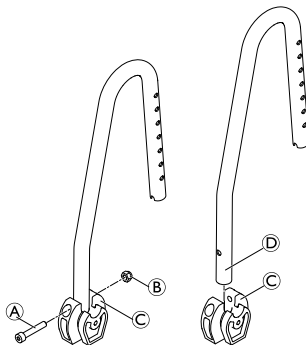


1. Ta bort bulten **A** och muttern **B**.
2. Ta bort vridleden **C** från benstödsröret **D**.



Sätt dit vridleden genom att utföra steg 1 och 2 i omvänd ordning.

**A** = 4–5 Nm



## 5.6 Byta ut styrhjulen



Insexnyckel (10 mm)/gänglåsningsmedel (t.ex. Loctite 2701)

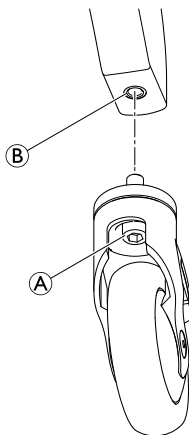


1. Ta bort styrhjulet från sidodelen genom att skruva ut bult **A** från det gängade hålet **B**.



Sätt tillbaka styrhjulet genom att upprepa steg 1 i omvänd ordning.

**A** = 35 Nm, applicera gänglåsningsmedel, t.ex. Loctite 2701



### 5.6.1 Ta bort/montera hjulen

Hjulen kan tas av i rengöringssyfte.

#### Ocean Ergo/Ocean VIP Ergo/Ocean Dual VIP Ergo



Torxskruvmejsel (T30)

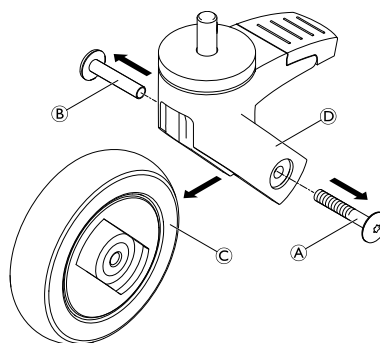


1. Skruva ut skruven **A** från gänghylsan **B** och ta bort den från hjulhuset **D**.
2. Ta bort hjulet **C**.



Sätt tillbaka hjulet genom att upprepa steg 1 och 2 i omvänd ordning.

**A** = 4–6 Nm



#### Ocean/Ocean VIP/Ocean Dual VIP/Ocean E-VIP



Insexnyckel (5 mm)

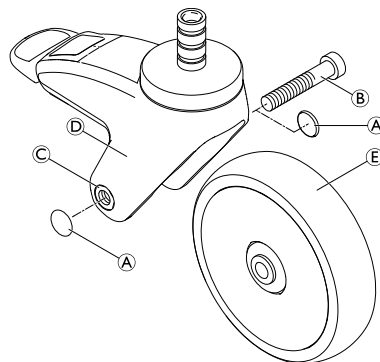


1. Ta bort plasthattarna **A**.
2. Skruva ut bulten **B** från muttern **C** och ta bort den från hjulhuset **D**.
3. Ta bort hjulet **E**.



Sätt tillbaka hjulet genom att upprepa steg 1 och 3 i omvänd ordning.

**B** = 3 Nm



## 5.7 Byta ut de inre/ytte sidodelarnas skydd (Ocean VIP Ergo/Ocean Dual VIP Ergo)



Spårskruvmejsel

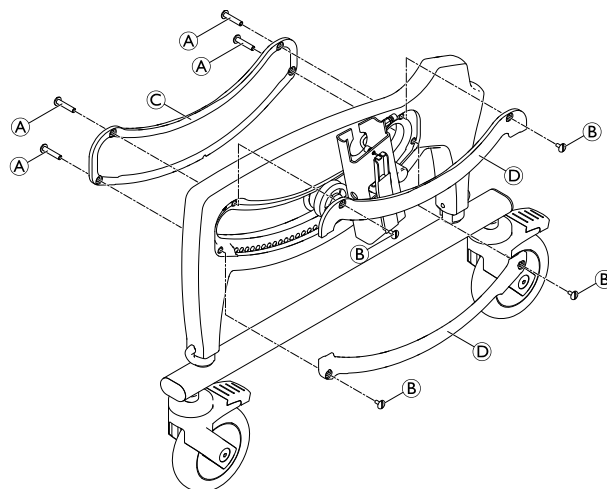


1. Ta bort bromsskyddet från sitsramen, se bruksanvisningen.
2. Ta bort dubbelskruvarnas muttrar **A** och dubbelskruvarna **B**.
3. Ta bort den yttre sidodelens skydd **C**.
4. Ta bort den inre sidodelens skydd **D**.



Sätt dit de inre/ytte sidodelarnas skydd genom att utföra steg 1–4 i omvänd ordning.

**B** = Dras åt för hand



## 5.8 Byta ut sitsens lagerfäste (Ocean VIP Ergo/Ocean Dual VIP Ergo)



Spårskruvmejsel/insexnyckel (4 mm)



1. Ta bort bromsskyddet från sitsramen, se bruksanvisningen.
2. Ta bort dubbelskruvarnas muttrar **A** och dubbelskruvarna.
3. Ta bort den yttre sidodelens skydd **B**.
4. Ta bort den inre sidodelens skydd.
5. Ta bort bultarna **C**, brickorna **D** och flänshjulen **E**.
6. Sätt in nya flänshjul, brickor och bultar och dra åt dem.

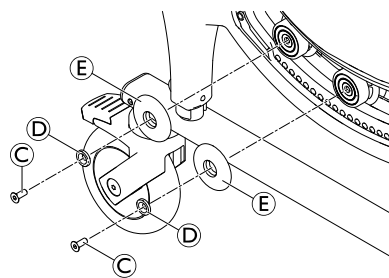
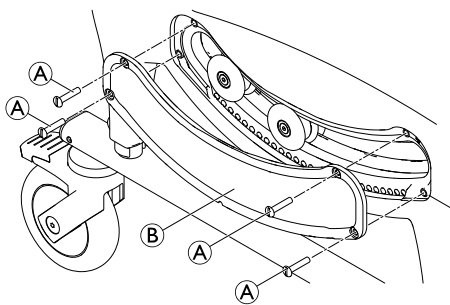


Kontrollera sidodelens yttre skydd **B** för att se om det är skadat och byt ut det vid behov.

7. Sätt tillbaka sidodelens yttre skydd med hjälp av dubbelskruvens mutter **A**.
8. Upprepa samma steg på andra sidan.

**A** = Dras åt för hand

**C** = 6 Nm



## 5.9 Byta ut sidodelarna (Ocean VIP Ergo/Ocean Dual VIP Ergo)



Spårskruvmejsel/insexnyckel (4 mm)



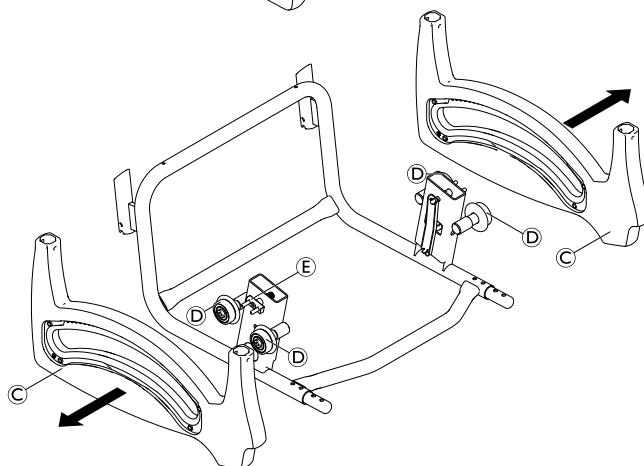
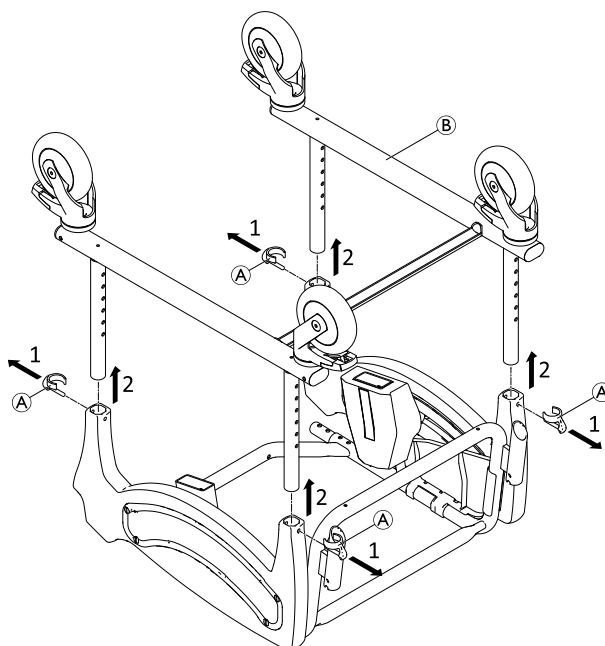
**i** Ta bort ryggstödet från sitsramen för enklare hantering, se bruksanvisningen.

1. Ta bort sittplattan, se bruksanvisningen.
2. Lägg sitsramen med sidodelarna upp och ned på en stabil yta.
3. Ta bort klämmorna **A** och dra ut hela den nedre ramen **B** ur sidodelarna.
4. Ta bort bromsskydden från sitsramen, se bruksanvisningen.
5. Ta bort de inre och yttre sidodelarnas skydd och sitsens lagerfästen på båda sidor, se kapitel 5.7 *Byta ut de inre/yttre sidodelarnas skydd (Ocean VIP Ergo/Ocean Dual VIP Ergo), Sida 163* och 5.8 *Byta ut sitsens lagerfäste (Ocean VIP Ergo/Ocean Dual VIP Ergo), Sida 164*.
6. Ta bort sidodelarna **C** genom att dra av dem från lagren **D**.

**i** Sätt dit sidodelarna genom att utföra steg 1–6 i omvänd ordning.

### VIKTIGT!

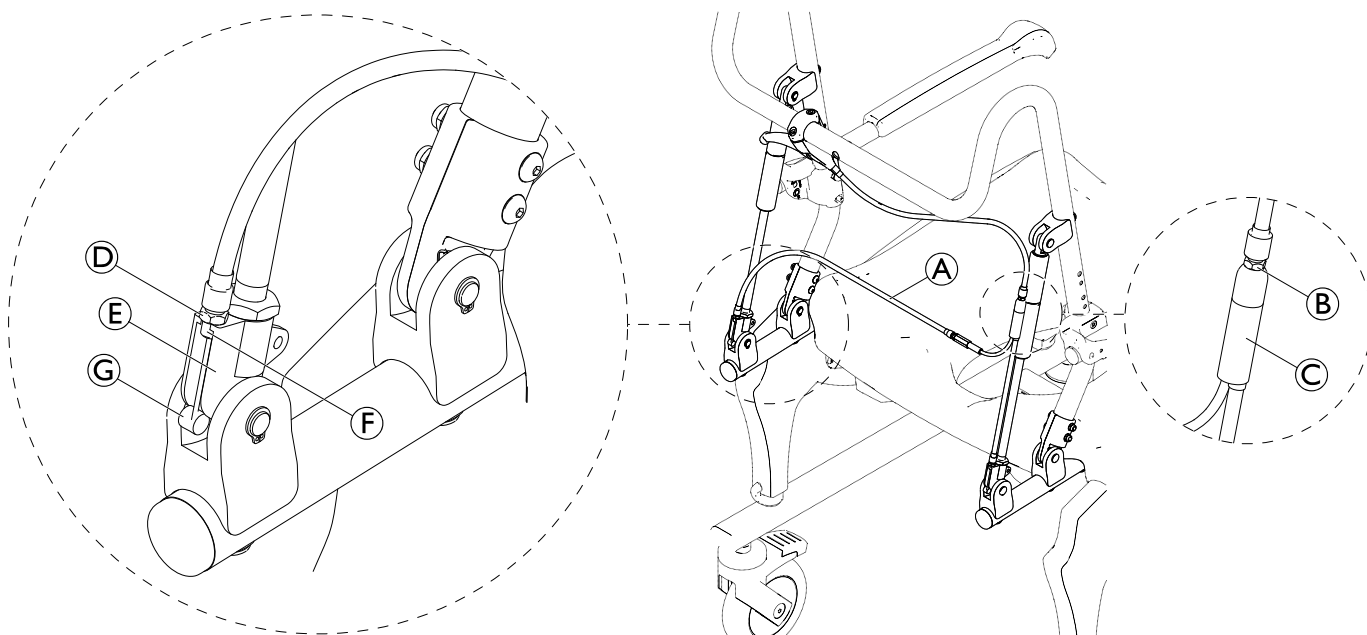
- Se till att bromspinnarna **E** är insatta i samma läge på vänster och höger sida.



## 5.10 Byta ut gasfjädern – frigöringsmekanismen – Vajern till tilten för ryggestödets lutning (Ocean Dual VIP/Ocean Dual VIP Ergo)



Skiftnyckel (6, 8)/insexnyckel (4 mm)/låsringsstång

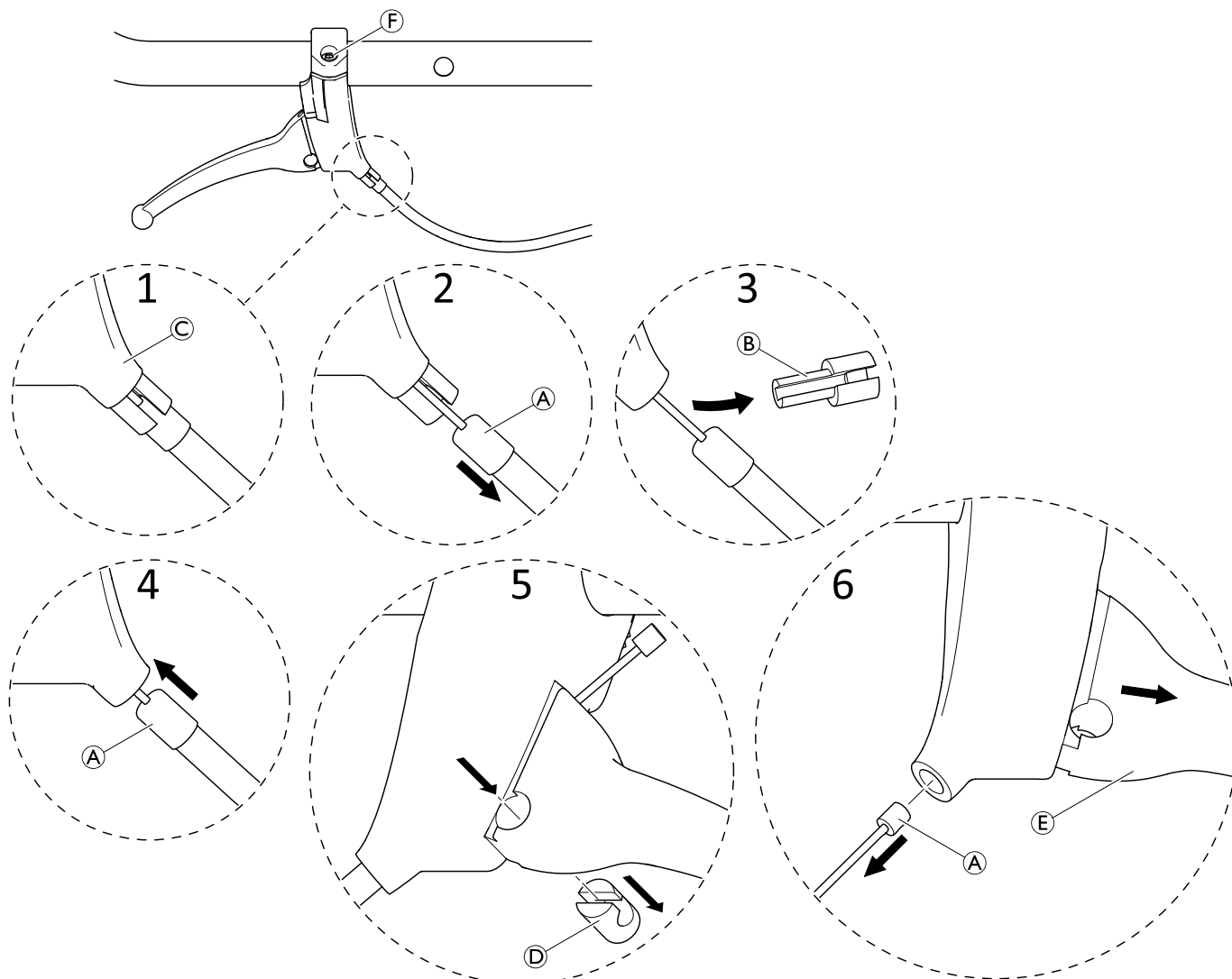



1. Lossa muttern **B** på fördelaren **C** helt och vrid den ända upp. Vrid in den övre delen i fördelaren.
2. Lossa muttern **D** på frigöringsmekanismen **E** och vrid den ända upp. Skruva av den gängade delen **F** från frigöringsmekanismen.

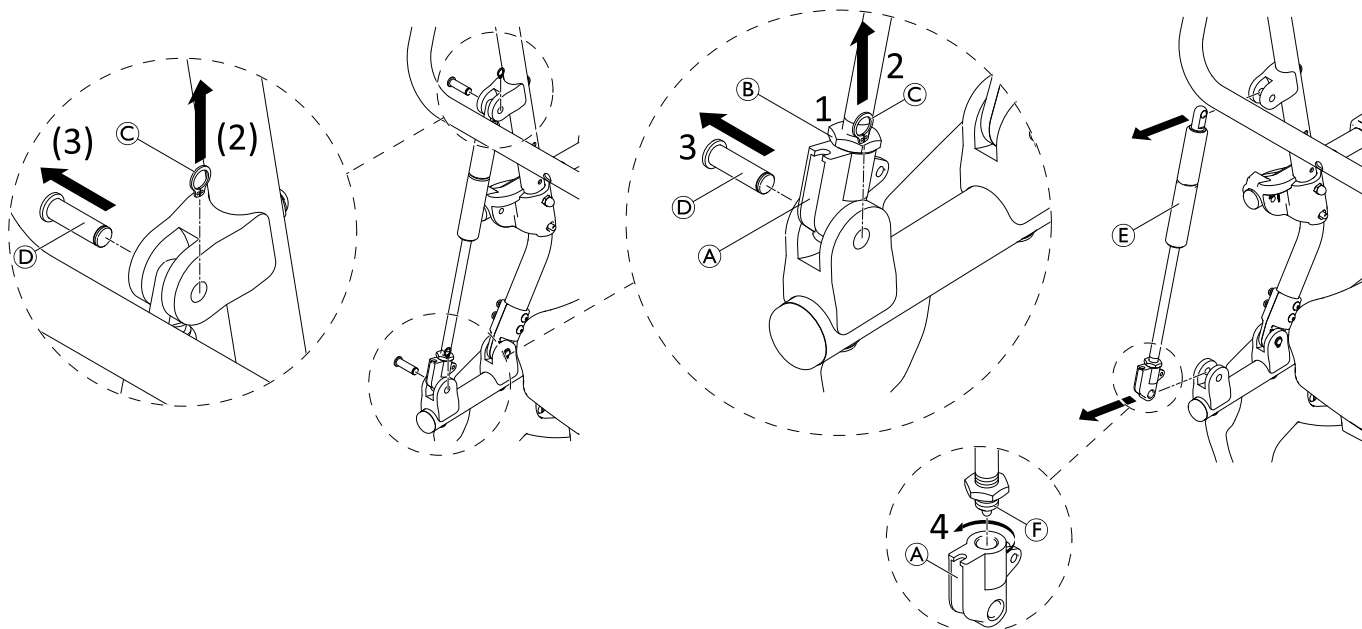


Dra vajern till tilten **A** något uppåt så blir det enklare.


3. Haka av vajern till tilten huvud **G**.



1. Om aktiveringshandtaget inkl. vajern till tilten måste bytas ut: Skruva av det gamla aktiveringshandtaget från körbygeln och skruva på ett nytt.
2. Om vajern till tilten **A** eller aktiveringshandtaget **C** måste bytas ut: Dra lätt i vajern till tilten så att den kommer ut lite från aktiveringshandtaget.
3. Ta bort hylsan **B**.
4. Tryck vajern till tilten inåt och öppna bromslåset (visas inte).
5. Tryck ut hylsan **D**.
6. Dra ut vajern till tilten helt och ta bort bromsspaken **E**.
7. Om aktiveringshandtaget måste bytas ut: ta bort skruvarna **F** och ta bort aktiveringshandtaget. Montera det nya aktiveringshandtaget. Ta bort bromsspaken **E**.
8. Vid återmontering sätter du in vajern till tilten i aktiveringshandtaget och bromsspaken.
  -  Om en ny vajern till tilten måste installeras ska du se till att kabeln inte är spänd, se sida 17 steg 1 och 2.
9. Sätt ihop hylsan **D**. Se till att den är riktad åt rätt håll.
10. Sätt tillbaka bromsspaken **E**.
11. Återmontera hylsan **B** genom att dra lätt i kabeln.

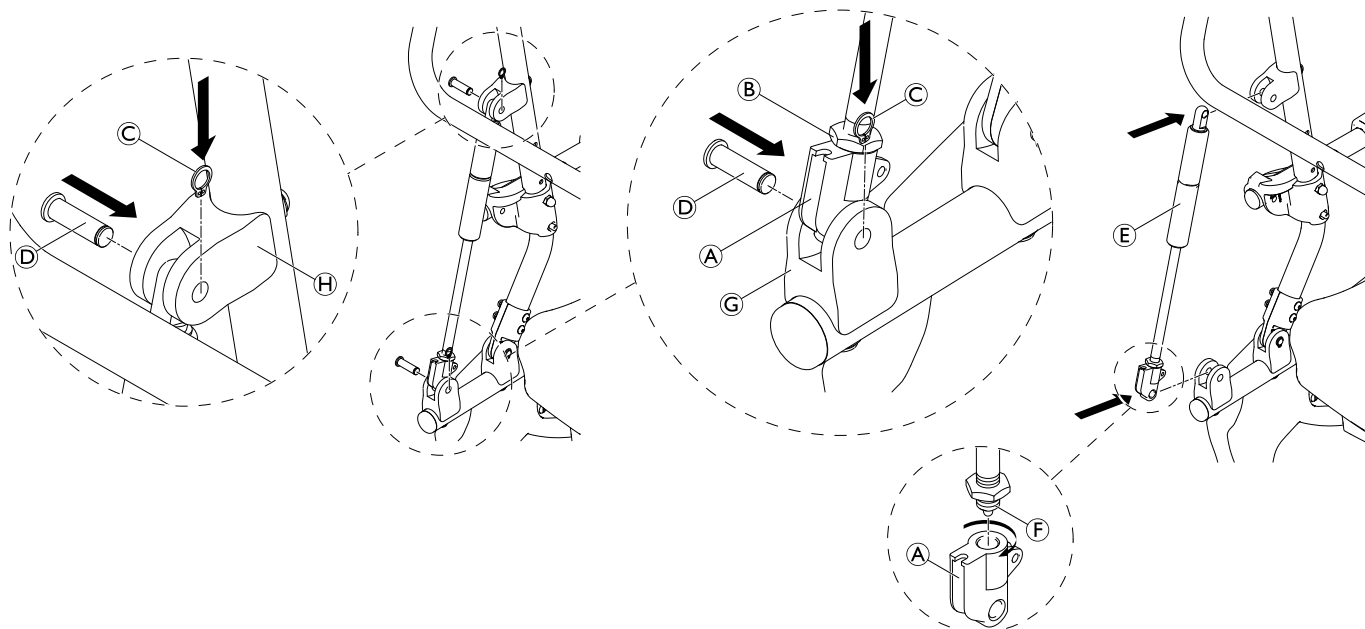


1. Om frigöringsmekanismen (A) måste bytas ut: Lossa muttern (B).
2. Ta bort låsringen (C).
3. Ta bort bulten (D). (Om hela gasfjäders ska bytas ut ska du även ta bort den övre låsringen och bulten samt ta bort gasfjäders (E).)


 Tryck ryggstödet något bakåt vid behov för att göra det enklare att ta bort bulten.

4. Om frigöringsmekanismen måste bytas ut: Vrid frigöringsmekanismen (A) nedåt från den gängade delen (F).

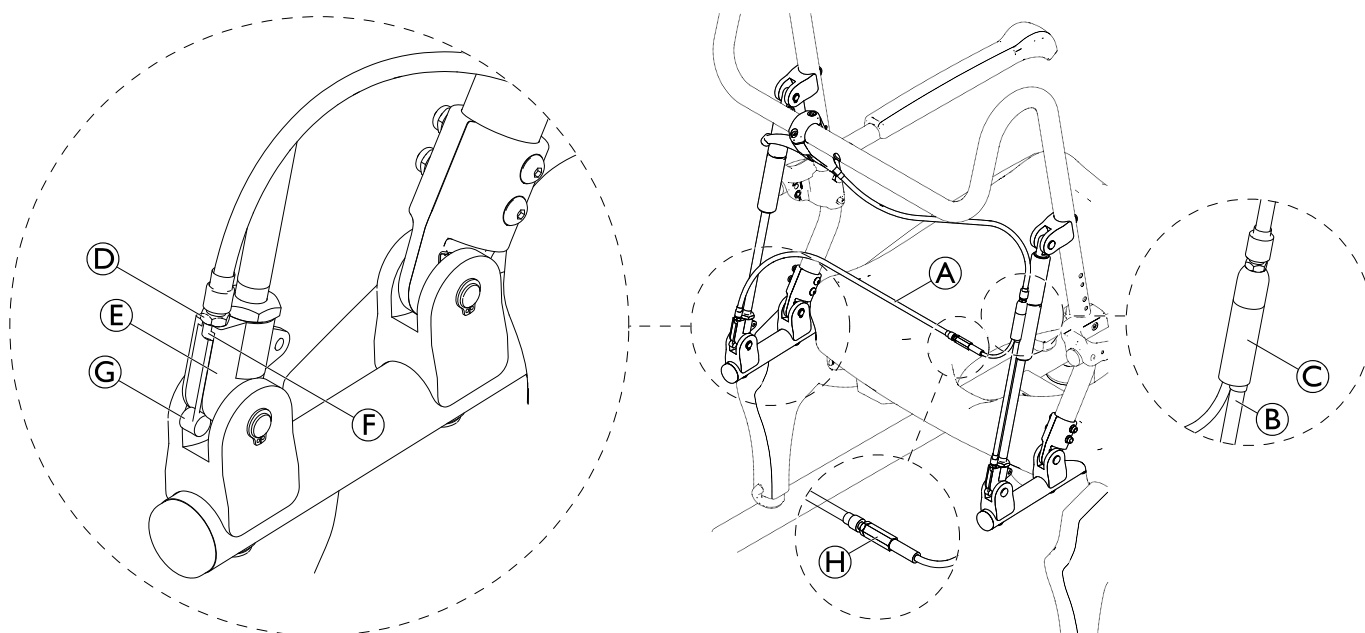





1. Om frigöringsmekanismen **A** måste bytas ut: Skruva på den nya frigöringsmekanismen igen (lämna 2 gånger eller 1,5–2 mm avstånd mellan frigöringsmekanismen och den första gängan på kolstången **F**).
2. Sätt tillbaka bultarna **D** och låsringarna **C** på de lägre fästena **C**, samt vid behov på de övre fästena **H** om hela gasfjädersystemet har bytts ut.

 Tryck ryggstödet något bakåt vid behov för att göra det enklare att sätta in bulten.

3. Dra åt muttern **B** på frigöringsmekanismen.



1. Förbereda vajern till tilten **A**: Se till att kabeländan **B** är korrekt placerad i fördelaren **C**.
2. Häng upp vajern till tilten huvud **C** i frigöringsmekanismen **E**.  
 Den längre änden är monterad på den vänstra frigöringsmekanismen och den kortare på den högra.
3. Placera gängan **F** på muttern **D** på frigöringsmekanismen och skruva in den (se till att tillräckligt många gånger

används). Dra upp kabeln lite i samband med detta.

**VIKTIGT!**


– Se till att plastdelen i frigöringsmekanismen fortfarande är nere när du skruvar.

**VIKTIGT!**

– Se till att inställningarna är likadana på vänster och höger sida. Kabeln måste ha lika stort spel på båda sidor när den är uppdragen. Detta kan justeras via gängan/muttern i kabeländen vid frigöringsmekanismen och genom gängan/muttern på justeringsdelen ⊕ på den längre kabeln genom att skruva ut eller skruva in dem.


4. När justeringen är klar låser du muttrarna på frigöringsmekanismen och justeringsdelen.
5. Justera vajern till tilten via fördelaren © och lås muttern så att spelet i handtaget och frigöringsmekanismerna minskar (om du drar i kabeln). På grund av fördelarens inställning får du inte dra frigöringsmekanismens plastdel uppåt.
6. Kontrollera funktionen: Båda gasfjädrarna måste utlösas samtidigt.

## 5.11 Byta ut gasfjädersn – frigöringsmekanismen – Vajern för sitslutning (Ocean VIP/Ocean Dual VIP)

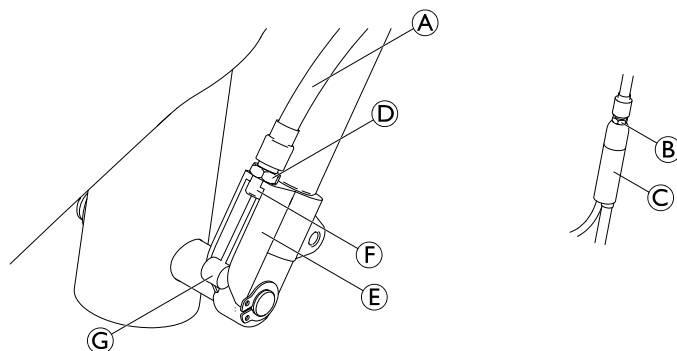
 Skiftnyckel (6, 8)/insexnyckel (4 mm)/låsringsstång




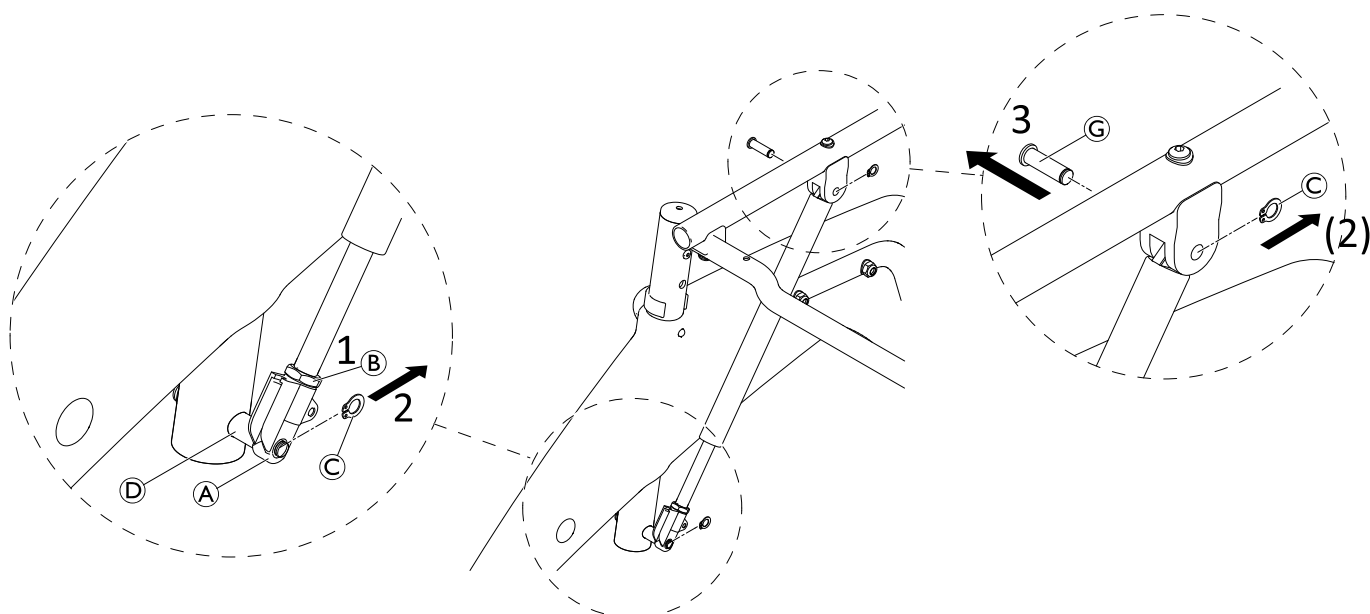
1. Lossa muttern **B** på fördelaren **C** helt och vrid den ända upp. Vrid in den övre delen i fördelaren.
2. Lossa muttern **D** på frigöringsmekanismen **E** och vrid den ända upp. Skruva av den gängade delen **F** från frigöringsmekanismen.

 Dra vajern **A** lätt uppåt så blir det enklare.

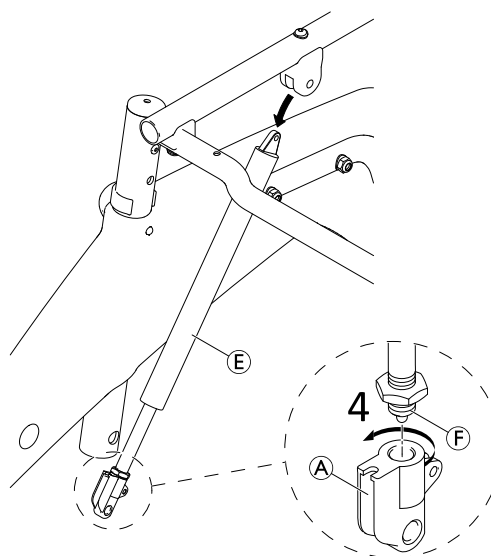
3. Haka av vajerns huvud **G**.

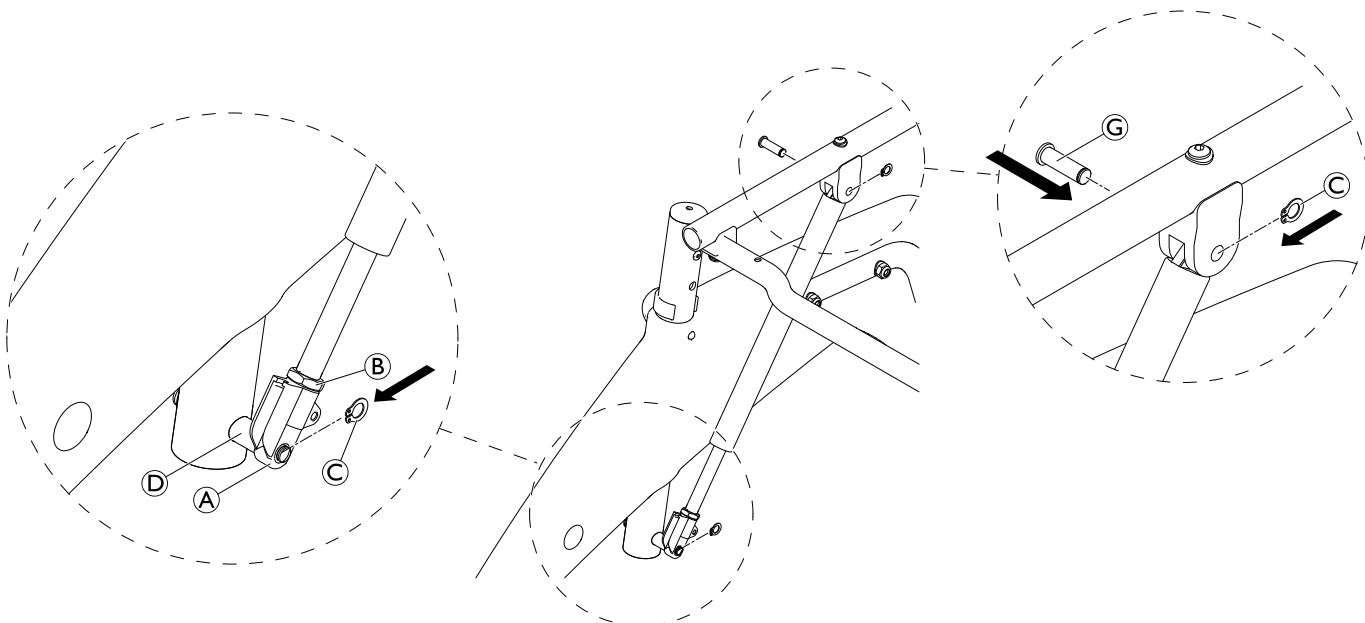


 Om aktiveringshandtaget/Vajern för sitslutning måste bytas ut kan du läsa kapitel 5.10 *Byta ut gasfjädersn – frigöringsmekanismen – Vajern till tilten för ryggstödets lutning (Ocean Dual VIP/Ocean Dual VIP Ergo)*, Sida 166




1. Om frigöringsmekanismen **A** måste bytas ut: Lossa muttern **B**.
2. Ta bort låsringen **C**.
3. Ta bort gasfjädersn **E** från bulten **D**.
4. Om hela gasfjädersn ska bytas ut ska du även ta bort den övre låsringen och bulten **G** samt ta bort gasfjädersn **E**.
5. Om frigöringsmekanismen måste bytas ut: Vrid frigöringsmekanismen **A** nedåt från den gängade delen **F**.






1. Om frigöringsmekanismen ① måste bytas ut: Skruva på den nya frigöringsmekanismen igen (lämna 2 gängor eller 1,5–2 mm avstånd mellan frigöringsmekanismen och den första gängan på kolvstången ⑥).
2. Sätt tillbaka gasfjäders ⑤ på bulten ④ och säkra dem med låsringarna ③. Vid behov sätter du även tillbaka bulten ② och låsringarna ③ på den övre fixeringen om hela gasfjäders har bytts ut.

 Tryck ryggstödet något bakåt vid behov för att göra det enklare att sätta in bulten.

3. Dra åt muttern ② på frigöringsmekanismen.
4. Förbereda vajern ①: Se till att kabeländan ② är korrekt placerad i fördelaren ③.
5. Häng upp vajerns huvud ④ i frigöringsmekanismen ⑤.

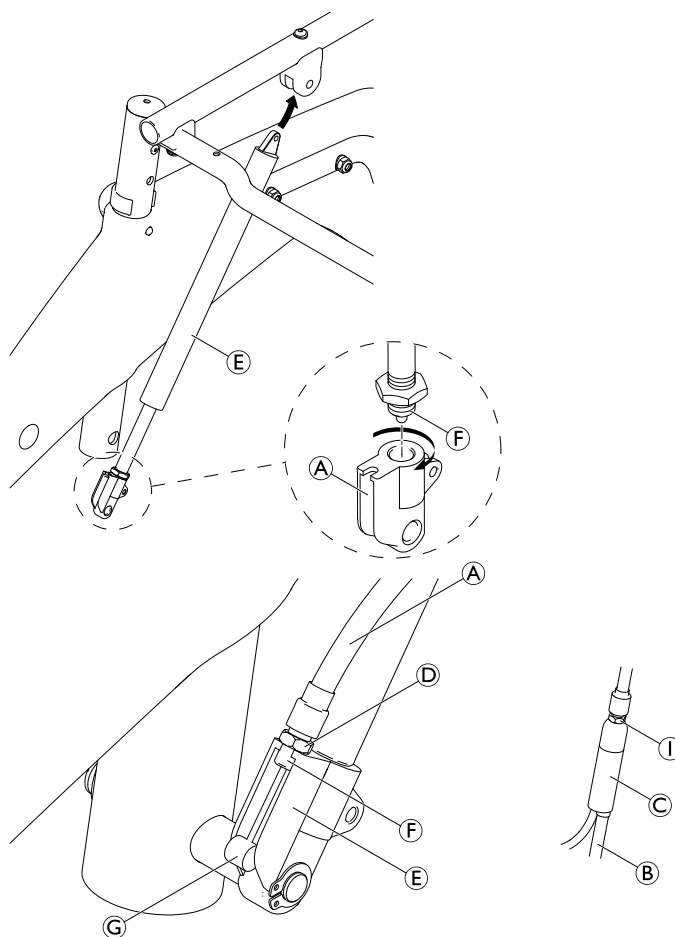
 Den längre änden är monterad på den högra frigöringsmekanismen och den kortare på den vänstra.

6. Placera gängan ⑥ på muttern ④ på frigöringsmekanismen och skruva in den (se till att tillräckligt många gängor används). Dra upp kabeln lite i samband med detta.


#### VIKTIGT!

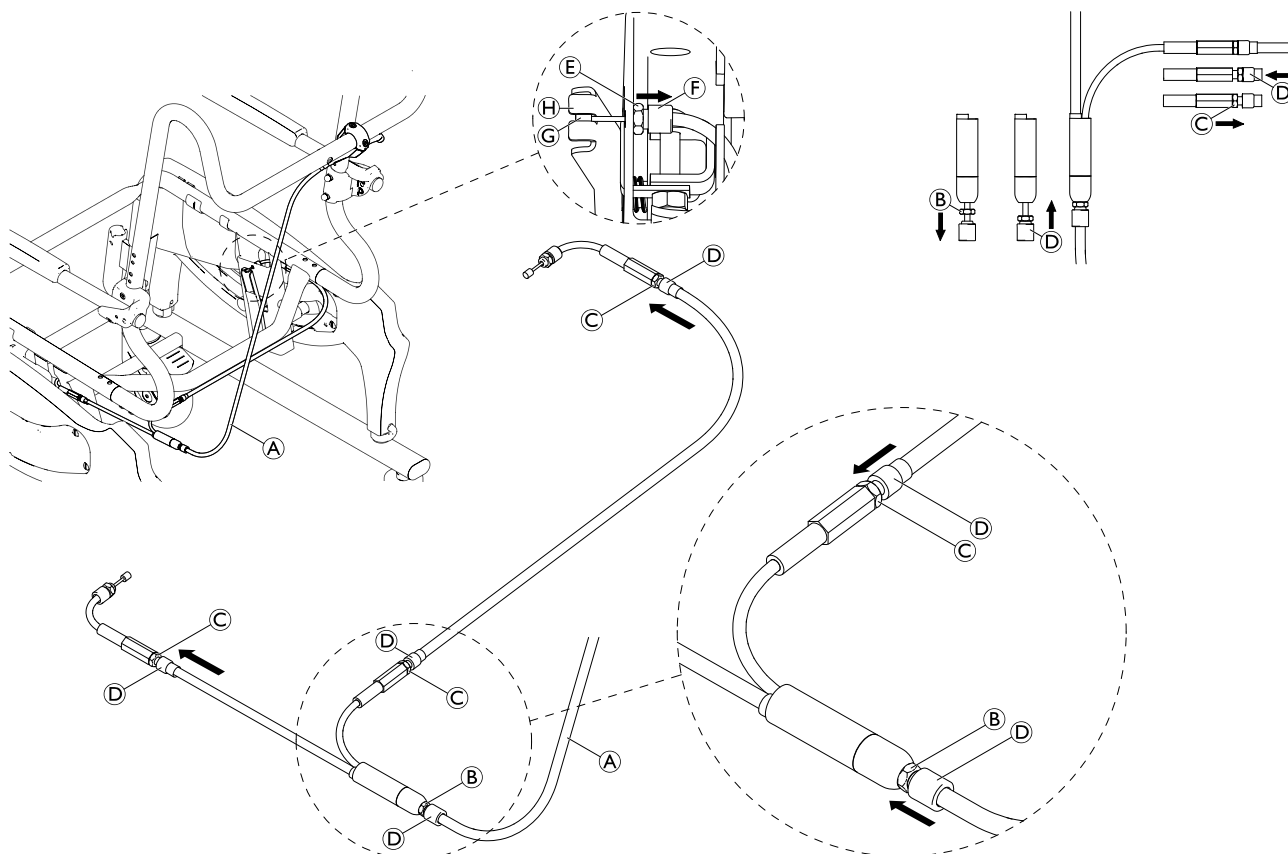
- Se till att plastdelen i frigöringsmekanismen fortfarande är nere när du skruvar.
- Se till att inställningarna är likadana på vänster och höger sida. Kabeln måste ha lika stort spel på båda sidor när den är uppdragen. Detta kan justeras via gängan/muttern i kabeländan vid frigöringsmekanismen.

7. När justeringen är klar låser du muttrarna ④ på frigöringsmekanismen ⑤.
8. Justera vajern via fördelaren ③ och lås muttern ① så att spelet i handtaget och frigöringsmekanismerna minskar (om du drar i kabeln). På grund av fördelarens inställning får du inte dra frigöringsmekanismens plastdel uppåt.
9. Kontrollera funktionen: Båda gasfjädrarna måste utlösas samtidigt.




## 5.12 Byta ut vajern till tilten för sitslutning (Ocean VIP Ergo/Ocean Dual VIP Ergo)

 Insexnyckel (4)



1. Ta bort sittplattan för enklare åtkomst (se bruksanvisningen).
2. Ta bort bromsskyddet för enklare åtkomst (se bruksanvisningen).
3. Ta bort buntbanden.
4. Gör så att vajern till tilten **A** inte längre är spänd. Skruva ut alla muttrar **C** på anslaget kabeljusteringar och muttern **B** på fördelaren helt. Skruva in alla gängade hylsor **D** helt i alla kabeljusteringar för anslaget och fördelaren.
5. Lossa muttrarna **E** i kabeländarna.
6. Skruva ut den gängade hylsan **F** vid kabeländarna och häng upp kabeländarna **G** på avstånd från bromsspakarna **H**.

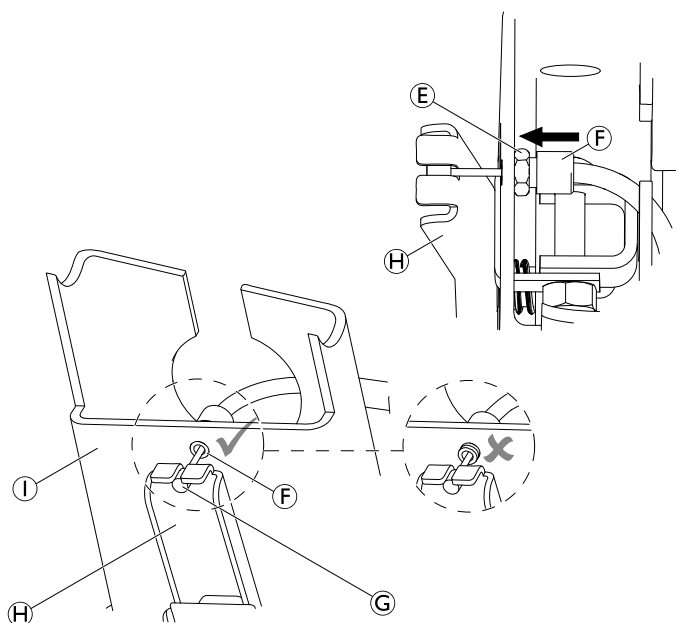
 Om vajern till tilten måste bytas ut utan aktiveringshandtaget måste Bowden-kabeln monteras bort från aktiveringshandtaget, se kapitel 5.10 *Byta ut gasfjädern – frigöringsmekanismen – Vajern till tilten för ryggstödet lutning (Ocean Dual VIP/Ocean Dual VIP Ergo)*, Sida 166

Om vajern till tilten måste bytas ut inklusive aktiveringshandtaget måste aktiveringshandtaget bytas ut, se bruksanvisningen.

7. Sätt dit den nya vajern till tilten (kortare änden på vänster sida) och haka fast kabeländarna **G** i bromsspakarna **H**. Skruva in den gängade hylsan **F** tills den ligger an mot bromshuset **I**.

 Den gängade hylsan får inte överlappa.

8. Lås muttern **E**.



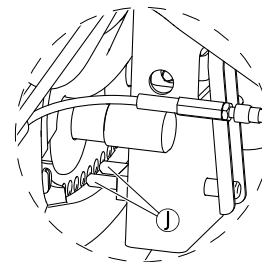
## Justera systemet




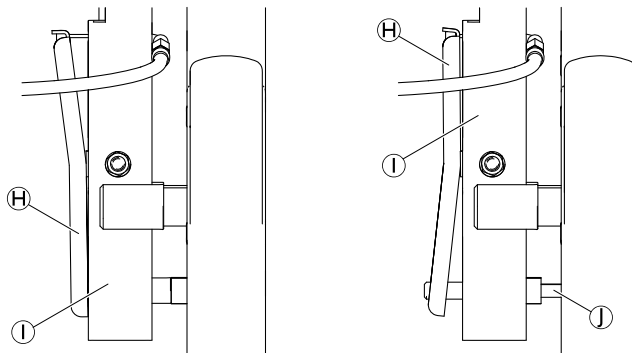
Insexnyckel (4)

**VIKTIGT!**


- Bromspinnarna ① måste dras ut helt ur hålen på sidodelen när bromshandtaget aktiveras och bromspinnarna måste aktiveras när bromshandtaget släpps.
- När bromshandtaget aktiveras måste bromspinnarna dras ut samtidigt på båda sidor och det måste finnas ett synligt mellanrum mellan sidodelen och bromspinnarna.
- Bromsspakarna ② måste ligga an mot bromshuset ① när bromshandtaget frigörs/aktiveras.

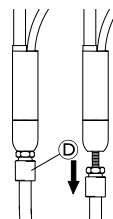


-  Ta bort sidodelens skydd för bättre översikt och enklare åtkomst.

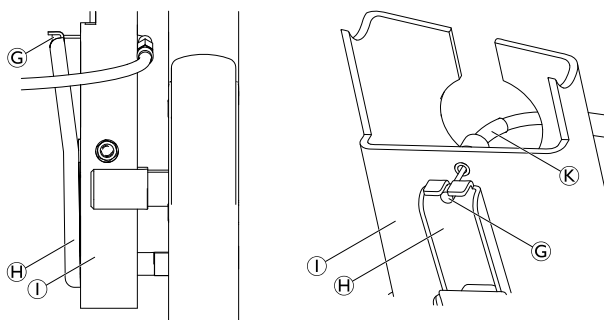


1. Skruva ut den gängade hylsan ④ på fördelaren så långt det går. Detta minskar mellanrummet mellan kabeländan ③ och bromsspaken ②. Därmed minskar även bromshandtagets manövreringsavstånd.

-  Under justeringen ska du se till att de svarta plasthylsorna ⑤ är i rätt position.



2. Se till att den nedre delen av bromsspaken ② ligger an mot bromshuset ①.
3. Dra i kabeländan ③ för att kontrollera spelet. Justeringen är lämplig när det inte går att dra ut kabeländan.
4. Om mellanrummet skiljer sig mellan höger och vänster sida måste detta justeras. Skruva därför ut den gängade hylsan på anslaget kabeljustering på berörd sida.
5. När alla justeringar är lämpliga ska du låsa muttrarna ⑥ och ⑦ (se första bilden i det här kapitlet).
6. Kontrollera lutningsfunktionen. I alla positioner är det mycket viktigt att bromspinnarna låser sig ordentligt.
7. Sätt dit buntbanden
8. Montera alla skydd.



## 5.13 Kapa huvudstödet/fotstödet/amputeringsstödet längd

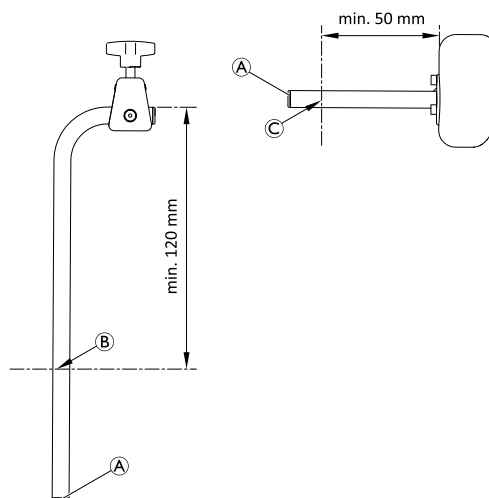


Insexnyckel (M6/SW4), såg, linjal, borrar med borrarbits  $\varnothing$  8,1



### Huvudstöd

1. Ta bort ändlocken (A).
2. Kapa höjjusteringsröret (B) till rätt längd (minsta kvarvarande längd 120 mm).
3. Kapa djupjusteringsröret (C) till rätt längd (minsta kvarvarande längd 50 mm).
4. Slipa bort alla vassa kanter.
5. Sätt tillbaka ändlocken.



### Fotstöd

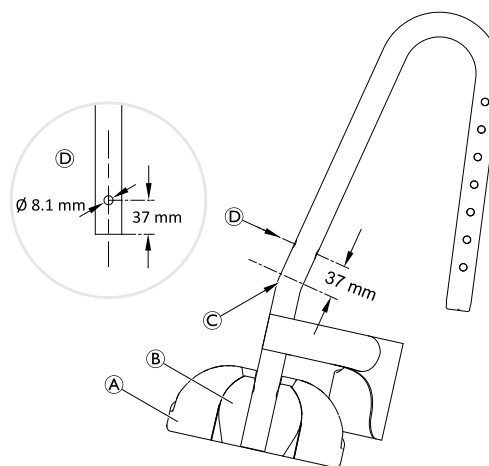
1. Ta bort fotplattan (A) och vridleden (B).
2. Kapa rörets längd strax ovanför kröken (C).
3. Borra ett hål med  $\varnothing$  8,1 mm (D) som är 37 mm från rörets nedre kant.
4. Slipa bort alla vassa kanter.
5. Sätt tillbaka vridleden och fotplattan.



Information om att ta bort/sätta dit fotplattorna finns i kapitel 5.5 *Byta ut fotplattorna, Sida 161*

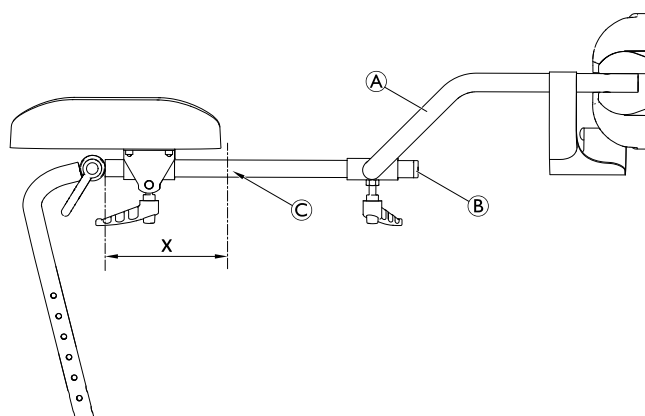


Information om att ta bort/sätta dit vridleden finns i kapitel 5.5.2 *Ta bort/sätta dit vridleden, Sida 162*



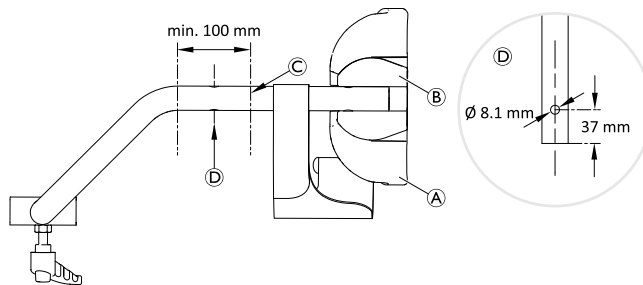
### Amputeringsstöd


1. Ta bort fotstödsenheten (A).
2. Ta bort ändlocket (B).
3. Kapa röret (C) till rätt längd (minsta kvarvarande längd x mm).  
Om fotstöd används  $x = 140$  mm  
Om fotstöd inte används  $x = 80$  mm
4. Slipa bort alla vassa kanter.
5. Sätt tillbaka ändlocket.
6. Sätt tillbaka fotstödsenheten (vid behov).




### Amputeringsstöd (fotstöd)

1. Ta bort fotplattan **A** och vridleden **B**.
2. Kapa röret **C** till rätt längd (minsta kvarvarande längd 100 mm).
3. Borra ett hål med  $\varnothing 8,1$  mm **D** som är 37 mm från rørets nedre kant.
4. Slipa bort alla vassa kanter.
5. Sätt tillbaka vridleden och fotplattan.

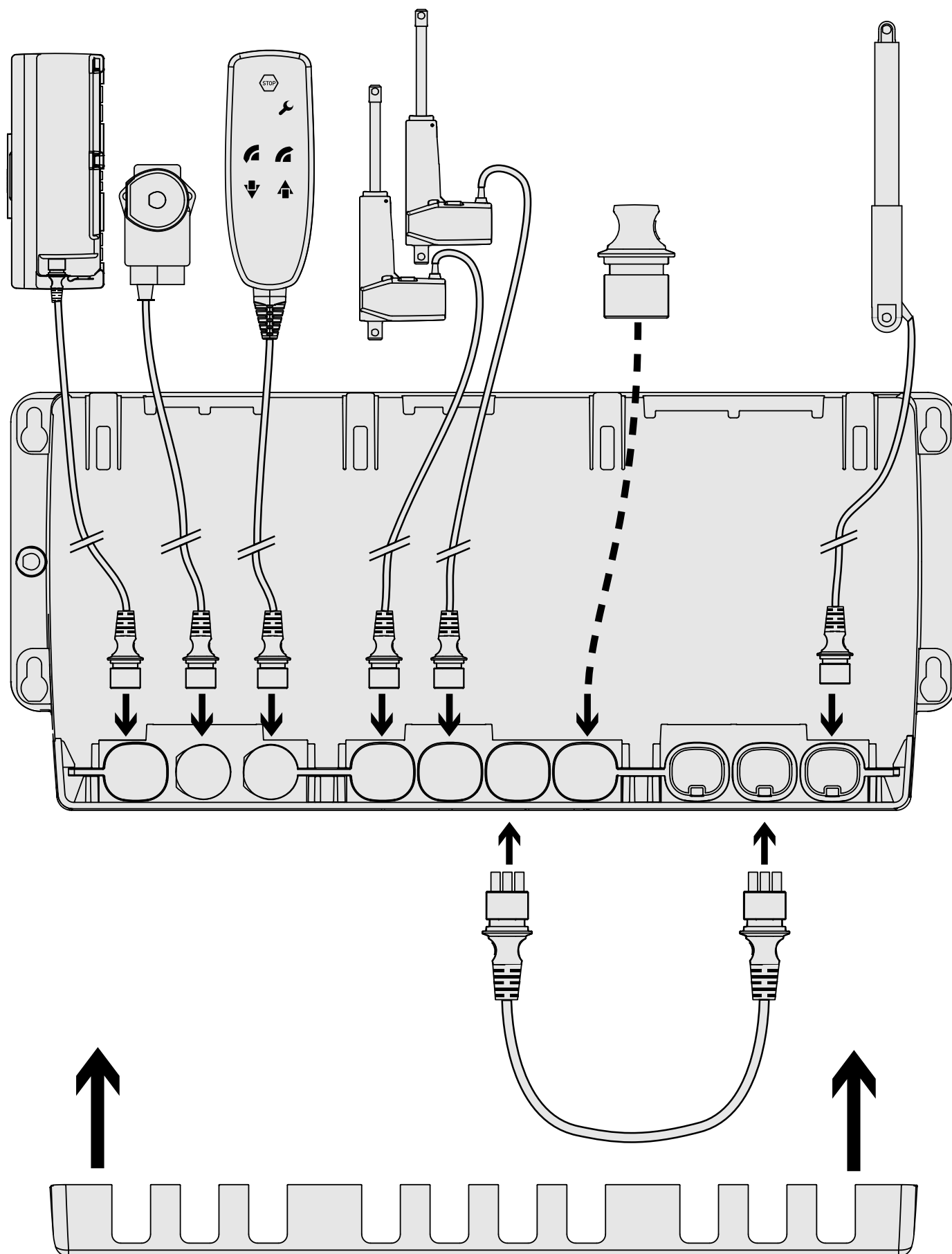


 Information om att ta bort/sätta dit fotplattorna finns i kapitel 5.5 *Byta ut fotplattorna*, Sida 161

 Information om att ta bort/sätta dit vridleden finns i kapitel 5.5.2 *Ta bort/sätta dit vridleden*, Sida 162





## 5.14 Kopplingsdiagram (Ocean E-VIP)

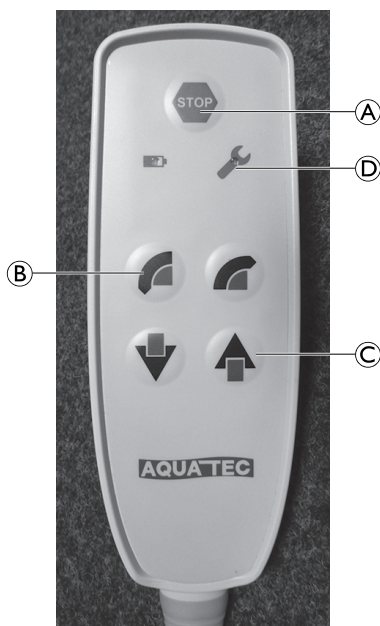


## Genomföra en återställning

1. Håll ned följande tre knappar samtidigt i ungefär tre sekunder på manöverdosan: Den röda STOP-knappen **A**, framåtknappen **B** och uppåtknappen **C**. En ljudsignal hörs när de tre knapparna hålls ned.
2. När "SERVICE"-indikatorlampan **D** slocknar ska du släppa knapparna. Enheten är redo att användas igen.
3. Kör drivenheterna för höjjustering till det lägsta läget tills du hör att enheterna slås av.
4. Kör lutningsenheten till den bakre slutpositionen tills du hör att enheten slås av. (Den röda LED-lampan blinkar och en ljudsignal hörs.)

 Byt ut säkerhetsklämmorna mot nya om ställdonen byts ut.

 Se till att alla kablar ominstalleras på samma sätt om vissa komponenter måste bytas ut.



---

# Sisällysluettelo

---

JÄLLEENMYyjÄ: Säilytä tämä käyttöopas. VAIN pätevä teknikko saa suorittaa tässä käyttöoppaassa kuvatut menettelyt.

<b>1 Yleistä</b>	<b>180</b>
1.1 Johdanto	180
1.2 Tässä käyttöoppaassa käytetyt symbolit	180
<b>2 Turvallisuus</b>	<b>181</b>
2.1 Yleisiä turvallisuustietoja	181
2.2 Henkilökohtaisia turvallisuustietoja	181
2.3 Sähköturvallisuustarkastus	181
<b>3 Huoltaminen</b>	<b>182</b>
3.1 Tarkistusluettelo	182
3.2 Varaosat	182
3.3 Rungon värikoodit	182
<b>4 Kunnostaminen</b>	<b>183</b>
4.1 Puhdistaminen ja desinfiointi	183
4.2 Yleiskatsaus materiaaleihin	183
4.3 Kunnostussuunnitelma	183
<b>5 Ohjeet</b>	<b>187</b>
5.1 Yleisiä tietoja korjauksesta	187
5.2 Käsinojan vaihtaminen (=> 01/2021)	187
5.2.1 Käsinojan tyynyn vaihtaminen (=> 01/2021)	187
5.3 Käsinojan vaihtaminen (02/ 2021 =>)	188
5.4 Jalkanojan pidikkeen vaihtaminen (Ocean VIP / Ocean Dual VIP / Ocean E-VIP)	189
5.5 Jalkalevyjen vaihtaminen	189
5.5.1 Joustavan kiinnitystapin vaihtaminen	190
5.5.2 Nivelliitoksen irrottaminen/asentaminen	190
5.6 Pyörien vaihtaminen	190
5.6.1 Pyörän renkaan irrottaminen/asentaminen	191
5.7 Sivuosan sisä- ja ulkosuojusten vaihtaminen (Ocean VIP Ergo / Ocean Dual VIP Ergo)	191
5.8 Istuimen kannattimen kiinnikkeen vaihtaminen (Ocean VIP Ergo / Ocean Dual VIP Ergo)	192
5.9 Sivuosien vaihtaminen (Ocean VIP Ergo / Ocean Dual VIP Ergo)	193
5.10 Kaasujousen – vapautusmekanismin – selkänojan kallistuksen bowdenkaapelin vaihtaminen (Ocean Dual VIP / Ocean Dual VIP Ergo)	194
5.11 Kaasujousen – vapautusmekanismin – istuimen kallistuksen bowdenkaapelin vaihtaminen (Ocean VIP / Ocean Dual VIP)	199
5.12 Istuimen kallistuksen bowdenkaapelin vaihtaminen (Ocean VIP Ergo / Ocean Dual VIP Ergo)	201
5.13 Päätuen / jalkanojan / amputaatiotuen lyhentäminen	203
5.14 Liitäntäkaavio (Ocean E-VIP)	205

# 1 Yleistä

## 1.1 Johdanto

Tämä opas sisältää tuotteen kokoonpanoa, säätöä ja erikoishuoltoa koskevia tärkeitä tietoja. Lue opas huolellisesti läpi ja noudata turvallisuusohjeita taatakseen turvallisuuden tuotetta käsiteltäessä.

Saat käyttöoppaan Invacaren verkkosivustosta tai ottamalla yhteyden Invacare-edustajaan. Osoitteet ovat tämän oppaan lopussa.

Invacare varaa oikeuden muuttaa tuotteiden teknisiä tietoja ilman erillistä ilmoitusta.

Varmista ennen oppaan lukemista, että käytössäsi on oppaan viimeisin versio. Viimeisin versio on saatavilla PDF-tiedostona Invacaren verkkosivuilta.

Katso myyntiä edeltävät tiedot ja käyttäjätiedot käyttöoppaasta.

Jos tarvitset lisätietoja tuotteesta, esimerkiksi tuoteturvallisuusilmoituksista ja tuotteiden vetämisestä markkinoilta, ota yhteyttä Invacare-edustajaan. Osoitteet ovat tämän asiakirjan lopussa.

## 1.2 Tässä käyttöoppaassa käytetyt symbolit

Tässä oppaassa käytetään symboleja ja signaalisanoja, jotka viittaavat vaaroihin tai turvattomiin käytäntöihin, jotka saattavat aiheuttaa henkilö- tai omaisuusvahinkoja. Katso alta lisätietoja signaalisanojen määritelmästä.



### VAROITUS

Osoittaa vaarallisen tilanteen, joka voi johtaa vakavaan vammaan tai kuolemaan, jos sitä ei vältetä.



### HUOMIO

Osoittaa vaarallisen tilanteen, joka voi johtaa pieneen tai lievään vammaan, jos sitä ei vältetä.



### TÄRKEÄÄ

Osoittaa mahdollisesti vaarallisen tilanteen. Jos sitä ei vältetä, se saattaa aiheuttaa omaisuusvahingon.



### Vinkit

Antaa hyödyllisiä vinkkejä, suosituksia ja tietoa tehokkaasta ja ongelmattomasta käytöstä.



### Työkalut

Tarkoittaa tietyn työn suorittamisessa tarvittavia työkaluja, komponentteja ja osia.

## 2 Turvallisuus

### 2.1 Yleisiä turvallisuustietoja



#### **VAROITUS!**

##### **Henkilövamman tai omaisuusvahingon vaara**

- Tässä oppaassa kuvattuja toimenpiteitä saa suorittaa vain pätevä huoltohenkilö.
- Käytä vain alkuperäisiä lisävarusteita ja varaosia.
- Älä käsittele tätä tuotetta tai siihen saatavilla olevia lisävarusteita ennen kuin olet lukenut kokonaan nämä ohjeet ja mahdolliset lisäohjeet, kuten käyttöoppaat, asennusoppaat ja ohjelehtiset, jotka on toimitettu tämän tuotteen tai lisävarusteen mukana, ja ymmärtänyt ne.
- Tarkista aina kokoamisen jälkeen, että kaikki liitokset on kiristetty kunnolla ja että kaikki osat toimivat oikein.



#### **VAROITUS!**

##### **Kontaminaatoriski**

- Ennen huoltoa tuote on puhdistettava ja desinfioitava.



#### **TÄRKEÄÄ!**

- Tässä huolto-oppaassa ei ole välttämättä kuvattu lisävarusteiden asentamista. Katso ohjeet lisävarusteen mukana toimitetusta oppaasta.
- Ylimääräisiä oppaita on saatavilla pyynnöstä. Osoitteet ovat tämän asiakirjan lopussa.



#### **TÄRKEÄÄ!**

- Joitakin varaosia on saatavilla vain sarjana. Käytä kokonaista uutta sarjaa, kun vaihdat osaa.
- Varaosia voi tilata Invacarelta. Sähköinen varaosaluettelo (ESPC) on käytettävissä paikallisessa Invacare-sivustossasi.



#### **TÄRKEÄÄ!**

Katso tämän tuotteen käyttöoppaasta seuraavat tiedot:

- tekniset tiedot
- tuotteen osat
- kilvet
- lisäturvallisuusohjeet
- puhdistamis- ja desinfiointiohjeet.



Tämän asiakirjan tiedot voivat muuttua ilman huomautusta.

### 2.2 Henkilökohtaisia turvallisuustietoja

Näiden turvallisuusohjeiden tarkoituksena on auttaa välttämään työtaturmia. Ohjeita on noudatettava kaikissa tilanteissa.

Kaikkien työntekijöiden, jotka joutuvat kosketuksiin kontaminoituneiden tuotteiden kanssa, on käytävä säännöllisesti yhtiön lääkärin tarkastettavana. Työvaatteita ja henkilökohtaisia suojalaitteita on oltava saatavilla riittävästi ja niiden on oltava asianmukaisessa kunnossa. Luotettava käsien ja pintojen desinfiointi on varmistettava.



#### **VAROITUS!**

##### **Kontaminaatoriski**

- Ennen korjaustoimia tuote on puhdistettava ja desinfioitava.

### 2.3 Sähköturvallisuustarkastus



#### **TÄRKEÄÄ!**

EN 62353 (VDE0751) -standardin mukaiset säännölliset sähköosien tarkastukset on suoritettava kansallisten vaatimusten mukaisesti.

1. Tarkasta kaikki sähköosat rungon tai kaapelin vaurioiden varalta, testaa toiminnot ja tarkista hajavirta.

## 3 Huoltaminen

### 3.1 Tarkistusluettelo

<b>Yleinen tarkastus</b>	☺	☹
Onko tuote moitteettomassa kunnossa ja onko kokoonpano täydellinen (tuote ja lisävarusteet)?	<input type="checkbox"/>	<input type="checkbox"/>
Onko tuote vaurioitumaton eikä siinä ole mitään puutteita?	<input type="checkbox"/>	<input type="checkbox"/>
Toimiiko tuote oikein nimelliskuormituksella?	<input type="checkbox"/>	<input type="checkbox"/>
Onko tuote täysin toimintakuntoinen käyttöoppaan mukaisesti?	<input type="checkbox"/>	<input type="checkbox"/>
<b>Vikojen korjaaminen</b>	☺	☹
Onko kaikki löydetty viat korjattu ja vialliset osat vaihdettu?	<input type="checkbox"/>	<input type="checkbox"/>
Ovatko kaikki ruuvit ja pultit tiukasti paikoillaan ja onko tuote koottu turvallisesti?	<input type="checkbox"/>	<input type="checkbox"/>
<b>Tarkistusten suorittaminen loppuun</b>	☺	☹
Onko tuote teknisesti ja toiminnallisesti turvallinen?	<input type="checkbox"/>	<input type="checkbox"/>
Onko tuote puhdistettu ja desinfioitu?	<input type="checkbox"/>	<input type="checkbox"/>
Onko tietokilpi helposti luettavissa ja turvallisesti kiinni tuotteessa?	<input type="checkbox"/>	<input type="checkbox"/>
Onko tuotteen mukana käyttöoppaan uusin versio?	<input type="checkbox"/>	<input type="checkbox"/>

### 3.2 Varaosat



#### VAROITUS!

Kaikissa korjauksissa tulee käyttää alkuperäisiä varaosia. Muussa tapauksessa takuu ja tuotteen vaatimustenmukaisuusvakuutus raukeavat.

Kaikki varaosat on hankittava Invacaren asiakaspalveluosastolta. Sähköinen varaosaluettelo (ESPC) on käytettävissä paikallisessa Invacare-sivustossasi.

### 3.3 Rungon värikoodit

Kohta	Värikoodi (RAL)
Runkoputket	Valkoinen, RAL 9003
Pohjaputket (Ocean E-VIP)	Harmaa RAL7042 / pinnoittamaton
Jalkanojan putket / päätuen putket	pinnoittamaton
Käsinojan pidike	Sininen, RAL 5002

## 4 Kunnostaminen

### 4.1 Puhdistaminen ja desinfiointi

Tuote voidaan puhdistaa ja desinfioida kaupallisesti saatavilla puhdistusaineilla.

1. Irrota mahdolliset lisävarusteet (vain lisävarusteet, joille ei tarvita työkaluja).
2. Vedä jalkanojat irti ohjaimista.
3. Irrota istuinlevy ja selkänöjan suojus.
4. Ocean VIP Ergo / Ocean Dual VIP Ergo: Irrota jarrusuojukset ja lukkiutumisenestosuojukset.
5. Pyyhi yksittäiset osat liinalla tai harjalla ja kaupasta saatavilla puhdistus- ja desinfiointiaineilla.
6. Huuhtelee osat lämpimällä vedellä.
7. Kuivaa osat liinalla.
8. Kokoa tuote uudelleen.



#### TÄRKEÄÄ!

Kaikkien käytettyjen puhdistusaineiden ja desinfiointiaineiden täytyy olla tehokkaita ja yhteensopivia toistensa kanssa, ja niiden täytyy suojata materiaaleja, joita niillä puhdistetaan. Lisätietoja dekontaminaatiosta terveydenhuoltoympäristöissä saat paikallisista infektioidenhallintaohjeista.

- Puhdista käsin, pesukoneessa tai autoklaavissa.
- Puhdista ilman hankaavaa puhdistusainetta.

#### Puhdistaminen kliinisessä ympäristössä



Edellä annettujen ohjeiden mukaisen puhdistuksen lisäksi on suositeltavaa puhdistaa tuote aina, kun sitä käytävä potilas vaihtuu, jokaisen käyttöjakson päättymisen jälkeen tai säännöllisin välein (sen mukaan, mikä tulee ensin)

- 90 °C:n lämpötilassa 1 minuutin ajan
- 85 °C:n lämpötilassa 3 minuutin ajan
- 80 °C:n lämpötilassa 10 minuutin ajan pesukoneessa tai autoklaavissa.



#### HUOMIO!

##### Ihon palovammavaara

– Anna tuotteen jäähtyä autoklaavipuhdistuksen jälkeen.

#### Selkänöjan suojuksen puhdistaminen

1. Irrota selkänöjan suojus.
2. Pese suojus pesukoneessa enintään 60 °C:n lämpötilassa miedolla pesuaineella.

### 4.3 Kunnostussuunnitelma

Seuraavat kohteet on tarkastettava, kun tuote pitää kunnostaa:

#### Yleistä

	Tarkista	Vianmäärittäystoimi	OK
1	Kaikkien osien oikea kokoonpano, onko ruuvit kiristetty kunnolla, mukaan lukien pyörät	Kiristä ruuvit, käytä soveltuviin kohdissa kierrelukitetta. Katso kiristysmomentit kaaviosta.	<input type="checkbox"/>



#### TÄRKEÄÄ!

##### Vaurioitumisvaara

- Korkeammassa lämpötilassa peseminen voi aiheuttaa vaurioita.
- Älä kuivaa suojuksia kuivausrummussa.



#### TÄRKEÄÄ!

Liiallinen puhdistaminen voi vaurioittaa tekstiilimateriaaleja.

- Suosittelemme vaihtamaan selkänöjan suojuksen kahden vuoden välein hygieniasyistä.

#### Potta-astian puhdistaminen (lisävaruste)

Potta-astia voidaan puhdistaa autoklaavissa seuraavilla lämpötila-/aika-asetuksilla:

- 90 °C:n lämpötilassa 1 minuutin ajan
- 85 °C:n lämpötilassa 3 minuutin ajan
- 80 °C:n lämpötilassa 10 minuutin ajan

#### Desinfiointi

1. Desinfioi tuote pyyhkimällä kaikki helppopääsyiset pinnat desinfiointiaineella (mikäli mahdollista, tuotteen purkamisen jälkeen).

### 4.2 Yleiskatsaus materiaaleihin

Katso tuotteen materiaaleja koskevat tiedot vastaavasta käyttöoppaasta.

Tietoja lisävarusteiden materiaaleista on seuraavassa taulukossa:

Lisävaruste	Materiaali(t)
Erytyinen pehmeä istuin / muunneltava pehmeä istuin / pehmeät istuimet	Polyuretaani
Ocean-tuotesarjan lokasuojat	Polyuretaani
Ocean Ergo -tuotesarjan lokasuojat	PP
Comfort-selkänöjat	Keinonahka (vinyyli) / PVC-vuoraus
Selkänöjat	PE-HD
Päätuen tyynyt / runkotuki	Polyuretaani
Pohje- ja amputoidun raajan tuki / jalkatuellinen pohjetuki	Polyuretaani (säärätuki) / PP (jalkatuki)
Potta-astian pidike	Ruostumaton teräs
Kannellinen potta-astia	PP

**Runko (kaikki rungon osat, putket ja selkänoja)**

	Tarkista	Vianmäärittystoimi	OK
1	Rungon osien mekaaniset vauriot (murtumat, halkeamat)	Hävitä runko ja vaihda se uuteen, katso vastaava käyttöopas, 5.9 Sivuosienvaihtaminen (Ocean VIP Ergo / Ocean Dual VIP Ergo), sivu 193  Muussa tapauksessa hävitä tuote.	<input type="checkbox"/>
2	Kaatumisenestolaitteen mekaaninen vaurio (Ocean Dual VIP / Ocean Dual VIP Ergo)	Vaihda kaatumisenestolaite, katso ohjeet käyttöoppaasta.	<input type="checkbox"/>

**Sivuosat**

	Tarkista	Vianmäärittystoimi	OK
1	Mekaaninen vaurio	Hävitä sivuosat ja vaihda ne uusiin, katso vastaava käyttöopas, 5.9 Sivuosienvaihtaminen (Ocean VIP Ergo / Ocean Dual VIP Ergo), sivu 193	<input type="checkbox"/>

**Istuin**

	Tarkista	Vianmäärittystoimi	OK
1	Istuimen vauriot (murtumat, terävät reunat)	Vaihda istuin, katso ohjeet käyttöoppaasta.	<input type="checkbox"/>
2	Huojuminen, epävakaat istuin		<input type="checkbox"/>
3	Vaurioituneet alapuolen salvat		<input type="checkbox"/>

**Selkänojan suojus**

	Tarkista	Vianmäärittystoimi	OK
1	Selkänojan suojuksen vauriot (murtumat, ratkenneet saumat, vaurioituneet soljet)	Vaihda selkänojan suojus, katso ohjeet käyttöoppaasta.	<input type="checkbox"/>

**Jalkanoja**

	Tarkista	Vianmäärittystoimi	OK
1	Jalkalevyn vauriot (murtumat, terävät reunat)	Vaihda jalkalevyt, 5.5 Jalkalevyjen vaihtaminen, sivu 189	<input type="checkbox"/>
2	Jalkanojan kiinnikkeen vauriot rungossa (Ocean VIP / Ocean E-VIP)	Vaihda jalkanojan kiinnike, 5.4 Jalkanojan pidikkeen vaihtaminen (Ocean VIP / Ocean Dual VIP / Ocean E-VIP), sivu 189	<input type="checkbox"/>
3	Putkien vauriot	Vaihda koko jalkanoja uuteen, katso ohjeet käyttöoppaasta.	<input type="checkbox"/>
4	Kiinnikkeiden vauriot	Vaihda jalkanojan kiinnikkeet uusiin.	<input type="checkbox"/>

**Käsinoja**

	Tarkista	Vianmäärittystoimi	OK
1	Käsinojaputkien tai käsinojan pidikkeiden vauriot (murtumat, terävät reunat)	Vaihda käsinoja uuteen, 5.2 Käsinojan vaihtaminen (=> 01/2021), sivu 187	<input type="checkbox"/>
2	Käsinojan tyynyjen vauriot (murtumat, terävät reunat)	Vaihda käsinojan tyyny, 5.2.1 Käsinojan tyynyn vaihtaminen (=> 01/2021), sivu 187	<input type="checkbox"/>



## Pyörät

	Tarkista	Vianmääritystoimi	OK
1	Jäykät tai vioittuneet saranalaakerit	Vaihda koko pyörä uuteen, <i>5.6 Pyörien vaihtaminen, sivu 190</i>	<input type="checkbox"/>
2	Jäykkä pyörän rengas (laakerit)		<input type="checkbox"/>
3	Vioittunut pyörän renkaan kulutuspinta		<input type="checkbox"/>
4	Pyörähaarukan vauriot		<input type="checkbox"/>
5	Kunnolla kiristetyt pulttikiinnitykset runkoon	Vaihda kiinnityspultit, levitä uutta kierrelukitetta.	<input type="checkbox"/>

## 24 tuuman pyörät (Ocean / Ocean Ergo)

	Tarkista	Vianmääritystoimi	OK
1	24 tuuman pyörien vauriot	Vaihda 24 tuuman pyörät, katso asennusohje.	<input type="checkbox"/>
2	Jarrun asianmukainen toiminta (pyörän pitää lukkiutua)	Korjaa jarrun säätöjä tai vaihda jarrut, katso asennusohje.	<input type="checkbox"/>
3	24 tuuman pyörien asianmukainen asennus, lukitustappien tulee ulottua navan reunan yli, jotta ne vapautuvat kokonaan	Korjaa navan säätöjä tai vaihda napa tai akseli, katso asennusohje.	<input type="checkbox"/>

## Päätuki (Ocean VIP / Ocean Dual VIP / Ocean E-VIP / Ocean VIP Ergo / Ocean Dual VIP Ergo)

	Tarkista	Vianmääritystoimi	OK
1	Päätuen laitteiston vauriot (murtumat, terävät reunat)	Vaihda päätuki, katso asennusohje.	<input type="checkbox"/>
2	Päätuen pehmusteen vauriot	Vaihda päätuen pehmuste, katso asennusohje.	<input type="checkbox"/>

## Istuimen kallistusmekanismi (Ocean VIP / Ocean Dual VIP / Ocean E-VIP / Ocean VIP Ergo / Ocean Dual VIP Ergo)

	Tarkista	Vianmääritystoimi	OK
1	Bowdenvaijerijärjestelmän tai kaapelin suojakuorien vauriot	Vaihda bowdenvaijerijärjestelmä, <i>5.12 Istuimen kallistuksen bowdenkaapelin vaihtaminen (Ocean VIP Ergo / Ocean Dual VIP Ergo), sivu 201 / 5.11 Kaasujousen – vapautusmekanismin – istuimen kallistuksen bowdenkaapelin vaihtaminen (Ocean VIP / Ocean Dual VIP), sivu 199</i>	<input type="checkbox"/>
2	Aktivointikahvan vauriot	Vaihda aktivointikahva, katso ohjeet käyttöoppaasta.	<input type="checkbox"/>
3	Kallistuksen ja asennon paikoilleen kiinnittämisen toiminta, helppo kallistus ja asennon turvallinen lukitus on välttämätöntä.	Säädä bowdenvaijeria, <i>5.12 Istuimen kallistuksen bowdenkaapelin vaihtaminen (Ocean VIP Ergo / Ocean Dual VIP Ergo), sivu 201 / 5.11 Kaasujousen – vapautusmekanismin – istuimen kallistuksen bowdenkaapelin vaihtaminen (Ocean VIP / Ocean Dual VIP), sivu 199</i>  Vain Ocean VIP Ergo / Ocean Dual VIP Ergo:  Jos kallistustoiminnon asettaminen alle 0 asteen kulmaan ei ole mahdollista, poista pysäyttimet (lisävaruste) tarvittaessa. Katso lisävarusteen kiinnitysohjeet.	<input type="checkbox"/>

	Tarkista	Vianmäärittystoimi	OK
4	Kaasujousen vauriot	Vaihda kaasujousi, 5.12 Istuimen kallistuksen bowdenkaapelin vaihtaminen (Ocean VIP Ergo / Ocean Dual VIP Ergo), sivu 201/ 5.11 Kaasujousen – vapautusmekanismin – istuimen kallistuksen bowdenkaapelin vaihtaminen (Ocean VIP / Ocean Dual VIP), sivu 199	<input type="checkbox"/>
5	Vapautusmekanismin vauriot	Vaihda vapautusmekanismi, 5.12 Istuimen kallistuksen bowdenkaapelin vaihtaminen (Ocean VIP Ergo / Ocean Dual VIP Ergo), sivu 201/ 5.11 Kaasujousen – vapautusmekanismin – istuimen kallistuksen bowdenkaapelin vaihtaminen (Ocean VIP / Ocean Dual VIP), sivu 199	<input type="checkbox"/>

#### Selkänojan kallistusmekanismi (Ocean Dual VIP / Ocean Dual VIP Ergo)

	Tarkista	Vianmäärittystoimi	OK
1	Bowdenvaijerijärjestelmän tai kaapelin suojakuorien vauriot	Vaihda bowdenvaijerijärjestelmä, 5.10 Kaasujousen – vapautusmekanismin – selkänojan kallistuksen bowdenkaapelin vaihtaminen (Ocean Dual VIP / Ocean Dual VIP Ergo), sivu 194	<input type="checkbox"/>
2	Aktivointikahvan vauriot	Vaihda aktivointikahva, katso ohjeet käyttöoppaasta.	<input type="checkbox"/>
3	Kallistuksen ja asennon paikoilleen kiinnittämisen toiminta, helppo kallistus ja asennon turvallinen lukitus on välttämätöntä.	Säädä bowdenvaijeria, 5.10 Kaasujousen – vapautusmekanismin – selkänojan kallistuksen bowdenkaapelin vaihtaminen (Ocean Dual VIP / Ocean Dual VIP Ergo), sivu 194	<input type="checkbox"/>
4	Kaasujousen vauriot	Vaihda kaasujousi, 5.10 Kaasujousen – vapautusmekanismin – selkänojan kallistuksen bowdenkaapelin vaihtaminen (Ocean Dual VIP / Ocean Dual VIP Ergo), sivu 194	<input type="checkbox"/>
5	Vapautusmekanismin vauriot	Vaihda vapautusmekanismi, 5.10 Kaasujousen – vapautusmekanismin – selkänojan kallistuksen bowdenkaapelin vaihtaminen (Ocean Dual VIP / Ocean Dual VIP Ergo), sivu 194	<input type="checkbox"/>

#### Suojuslevyt (Ocean VIP Ergo / Ocean Dual VIP Ergo)

	Tarkista	Vianmäärittystoimi	OK
1	Jarrun suojalevyjen, lukkiutumisenestosuojusten ja kallistusmekanismin suojuksen vauriot	Vaihda vaurioituneet lukkiutumisenestosuojukset uusiin, katso ohjeet käyttöoppaasta.  Vaihda kallistusmekanismin suojus, 5.7 Sivuosan sisä- ja ulkosuojusten vaihtaminen (Ocean VIP Ergo / Ocean Dual VIP Ergo), sivu 191	<input type="checkbox"/>

#### Sähköinen korkeudensäätö / kallistus (Ocean E-VIP)

	Tarkista	Vianmäärittystoimi	OK
1	Kaapelien vauriot	Vaihda vahingoittuneet osat uusiin.	<input type="checkbox"/>
2	Käsiohjaimen vauriot	Vaihda käsiohjain uuteen.	<input type="checkbox"/>
3	Sähkölaitetekotelon kannen vauriot	Vaihda sähkölaitetekotelon kansi uuteen, katso ohjeet käyttöoppaasta.	<input type="checkbox"/>
4	Korkeudensäädön/kallistussäädön asianmukainen toiminta ja hätälaukaisu.	Katso ohjeet käyttöoppaasta (luvusta Vianmäärittäminen).	<input type="checkbox"/>

#### Lisävarusteet

	Tarkista	Vianmäärittystoimi	OK
1	Lisävarusteiden vauriot	Vaihda viallinen osa tai koko lisävaruste	<input type="checkbox"/>

## 5 Ohjeet

### 5.1 Yleisiä tietoja korjauksesta

Korjaukset edellyttävät hyvää asiantuntemusta. Siksi tehtävät jaetaan näissä kokoamisohjeissa kolmeen luokkaan:

Vaativuustaso	Symboli
Helppo – edellyttää teknistä ymmärrystä	■□□
Keskitaso – edellyttää teknistä tietämystä	■ ■ □
Vaikea – edellyttää teknistä tietämystä ja kokoamisen asiantuntemusta	■ ■ ■

Tarvittavat työkalut ja niiden koot on lueteltu ohjeiden alussa.

### 5.2 Käsinojan vaihtaminen (=> 01/2021)

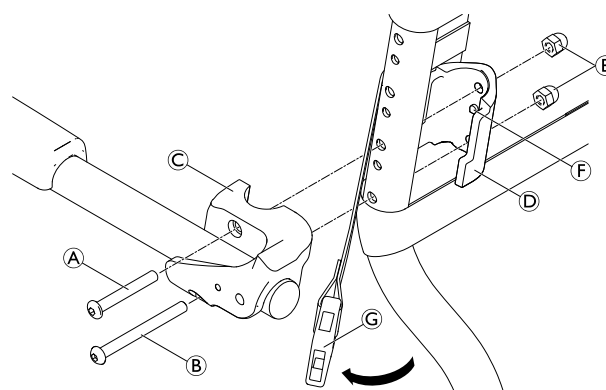
vanhemmille malleille tammikuuuhun 2021 saakka



Kuusiokoloavain (4 mm)



1. Avaa käsinojan pidikkeen © ruuvit (A) ja (B) mukana toimitetulla kuusiokoloavaimella.
2. Irrota pidike (D) ja mutterit (E) selkänöjan rungosta sisäpuolelta.
3. Irrota käsinojan pidike © ja käsinoja.
  - Pienempi aukko on pidikkeen kiinnittämistä varten.
4. Työnnä ruuvit uuteen käsinojan pidikkeeseen ja aseta ne selkänöjan rungossa oleviin aukkoihin.
5. Aseta mutterit tarvittaessa takaisin pidikkeeseen.
6. Aseta pidike selkänöjan runkoon siten, että pidikkeen kiinnike (F) työntyy pienempään aukkoon.
7. Aseta ruuvit muttereihin ja kiristä ne.
8. Vasemman- ja oikeanpuoleinen käsinoja vaihdetaan samalla tavalla.



(A) / (B) = 8 Nm

#### 5.2.1 Käsinojan tynnyin vaihtaminen (=> 01/2021)

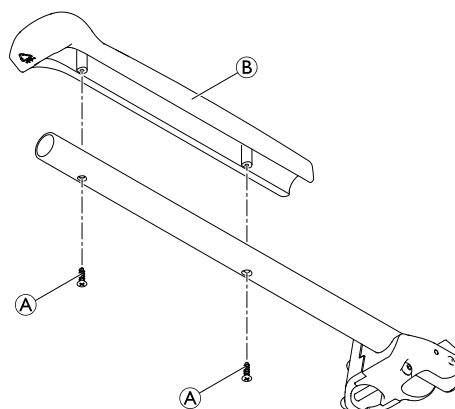
vanhemmille malleille tammikuuuhun 2021 saakka



Phillips-ruuvimeisseli



1. Irrota ruuvit (A).
2. Vaihda käsinojan tynny (B).
3. Aseta ja kiristä ruuvit uudelleen.



(A) = kiristä käsin.

## 5.3 Käsinojan vaihtaminen (02/ 2021 =>)

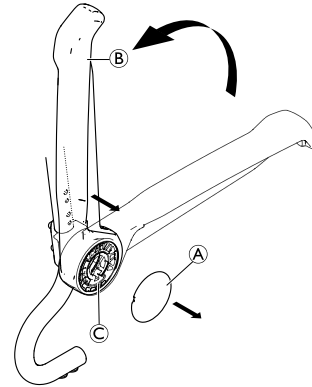
uusille malleille helmikuusta 2021 eteenpäin



Kuusiokoloavain (4 mm)



1. Pujota tämä vyö selkänöjan rungon sisään ja sulje solki uudelleen.
2. Irrota suojus (A).
3. Käännä käsinoja (B) ylös ja vedä se irti käsinojan pidikkeestä (C).



4. Irrota ruuvit (D) käsinojan pidikkeestä (C) tuotteen mukana toimitetulla kuusiokoloavaimella.
5. Irrota kiinnitin (E) ja mutterit (F) selkänöjan rungon sisäpuolelta.



Mutterit on kiinnitetty löysästi kiinnittimeen, ja ne voivat pudota.

6. Asenna käsinojan pidike ja kiinnitin haluttuun kohtaan asettamalla ruuvit (D) käsinojan pidikkeeseen ja viemällä ne sopivalla korkeudella olevien reikien läpi selkänöjan runkoon.



Selkänöjan rungon sisäpuolella olevat pienemmät reiät pitävät kiinnittimen paikallaan.

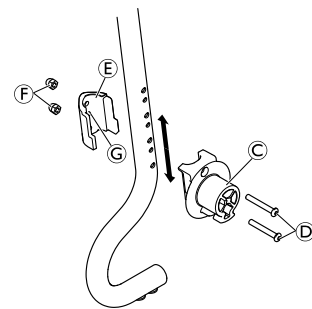
7. Aseta kiinnitin siten, että kiinnittimen jalka (G) lukittuu pienempään reikään.
8. Kiristä ruuvit (D).

9. Asenna käsinoja (B) takaisin pidikkeeseen (C).

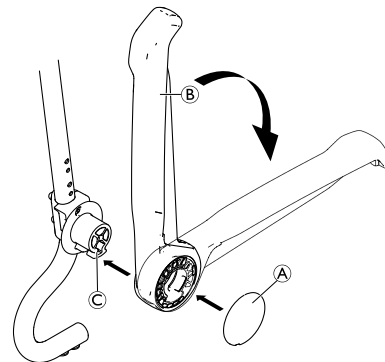
10. Käännä käsinoja alas.

11. Aseta suojus (A) paikalleen.

12. Vasemman- ja oikeanpuoleinen käsinoja vaihdetaan samalla tavalla.



(D) = 8 Nm



## 5.4 Jalkanojan pidikkeen vaihtaminen (Ocean VIP / Ocean Dual VIP / Ocean E-VIP)



Kuusiokoloavain (4 mm)



1. Irrota pultti ④ ja välikappale ⑤.
2. Irrota jalkanojan pidike ① runkoputkesta ③.



Asenna jalkanojan pidike toistamalla vaiheet 2–1 päinvastaisessa järjestyksessä.

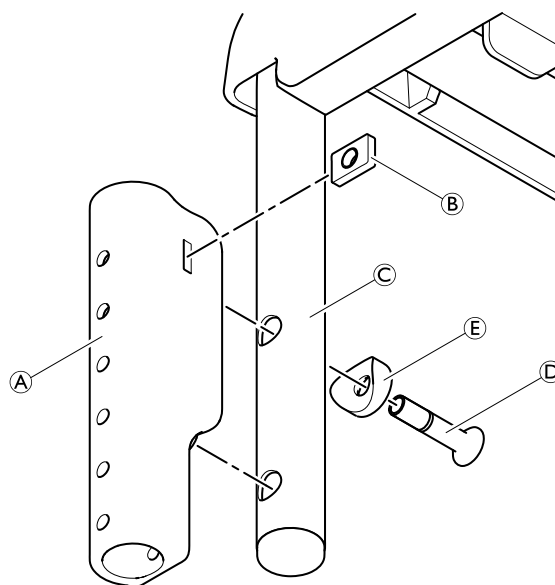


Varmista, että molemmat jalkanojan pidikkeen taustapuolen ohjaustapit osuvat runkoputken reikiin uudelleen asennettaessa.



Varmista, että kierteitetty levy ② on asennettu jalkanojan pidikkeen aukkoon.

④ = 7 Nm



## 5.5 Jalkalevyjen vaihtaminen



Kuusiokoloavain (4 mm)

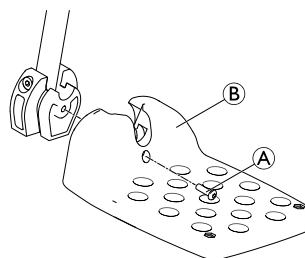


1. Irrota kantapäähihna jalkanojan putkesta.
2. Irrota pultti ①.
3. Irrota jalkalevy ②.

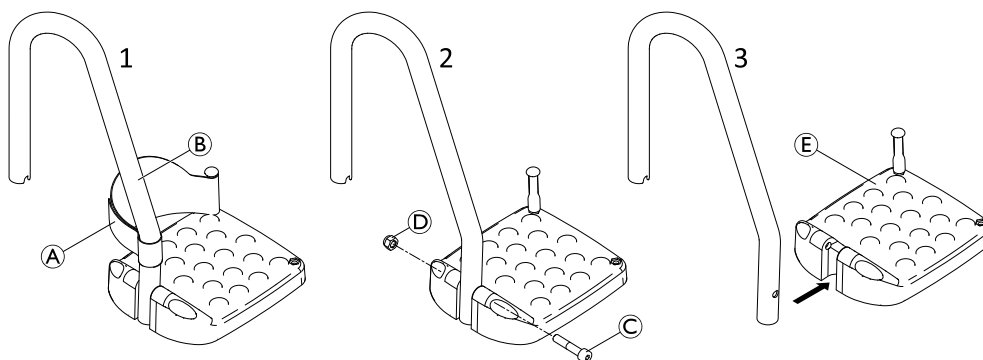


Asenna jalkalevy toistamalla vaiheet 3–1 päinvastaisessa järjestyksessä.

① = 2–3 Nm



### Ocean E-VIP:



1. Irrota kantapäähihna ① jalkanojan putkesta ②.
2. Irrota pultti ③ ja mutteri ④.
3. Irrota jalkalevy ⑤.



Asenna jalkalevy toistamalla vaiheet 3–1 päinvastaisessa järjestyksessä.

③ = 4–5 Nm

### 5.5.1 Joustavan kiinnitystapin vaihtaminen



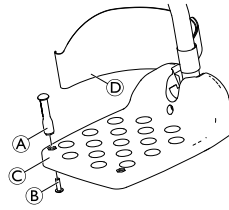
Phillips-ruuvimeisseli



1. Irrota joustava kiinnitystappi **A** avaamalla ruuvi **B** jalkalevyn **C** alapuolelta.
2. Irrota kantapäähihna **D**.



Asenna joustava kiinnitystappi toistamalla vaiheet 2–1 päinvastaisessa järjestyksessä.



**B** = 4 Nm

### 5.5.2 Nivelliitoksen irrottaminen/asentaminen

Jos jalkatuen putket on katkaistava sopivan mittaiseksi, nivelliitokset on irrotettava.



Kuusiokoloavain (6 mm)

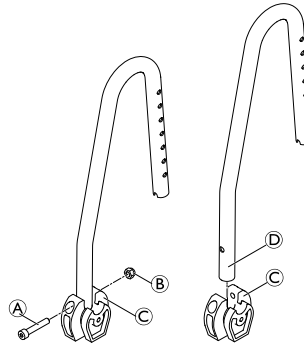


1. Irrota pultti **A** ja mutteri **B**.
2. Irrota nivelliitos **C** jalkatuen putkesta **D**.



Asenna nivelliitos toistamalla vaiheet 2–1 päinvastaisessa järjestyksessä.

**A** = 4–5 Nm



### 5.6 Pyörien vaihtaminen



Kuusiokoloavain (10 mm) / kierteiden lukitusliima (esim. Loctite 2701)

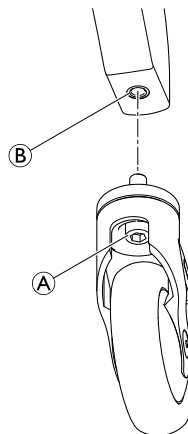


1. Irrota pyörä sivuosasta ruuvaamalla pultti **A** irti kierteisestä reiästä **B**.



Asenna pyörä toistamalla vaihe 1 päinvastaisessa järjestyksessä.

**A** = 35 Nm, käytä kierrelukitetta, esim. Loctite 2701



### 5.6.1 Pyörän renkaan irrottaminen/asentaminen

Pyörän rengas voidaan irrottaa puhdistusta varten.

**Ocean Ergo / Ocean VIP Ergo / Ocean Dual VIP Ergo**



Torx-ruuvitaltta (T30)

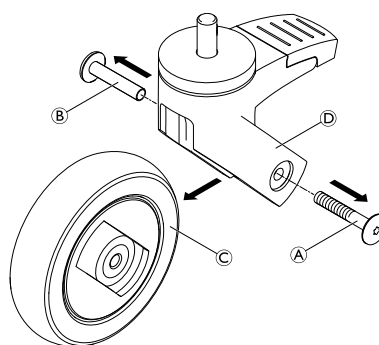


1. Avaa ruuvi **A** kierreholkista **B** ja irrota se pyörän kotelosta **D**.
2. Irrota pyörän rengas **C**.



Asenna pyörän rengas takaisin paikoilleen toistamalla vaiheet 2–1 päinvastaisessa järjestyksessä.

**A** = 4–6 Nm



**Ocean / Ocean VIP / Ocean Dual VIP / Ocean E-VIP**



Kuusiokoloavain (5 mm)

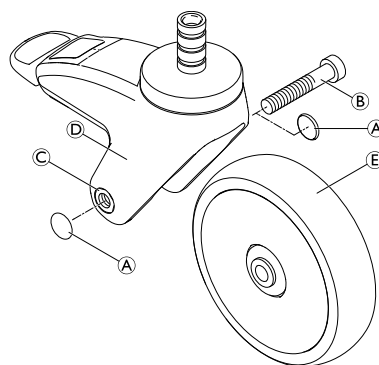


1. Irrota muovitulpat **A**.
2. Avaa pultti **B** mutterista **C** ja irrota se pyörän kotelosta **D**.
3. Irrota pyörän rengas **E**.



Asenna pyörän rengas takaisin paikoilleen toistamalla vaiheet 3–1 päinvastaisessa järjestyksessä.

**B** = 3 Nm



### 5.7 Sivuosan sisä- ja ulkosuojusten vaihtaminen (Ocean VIP Ergo / Ocean Dual VIP Ergo)



Talttaruuvimeisseli

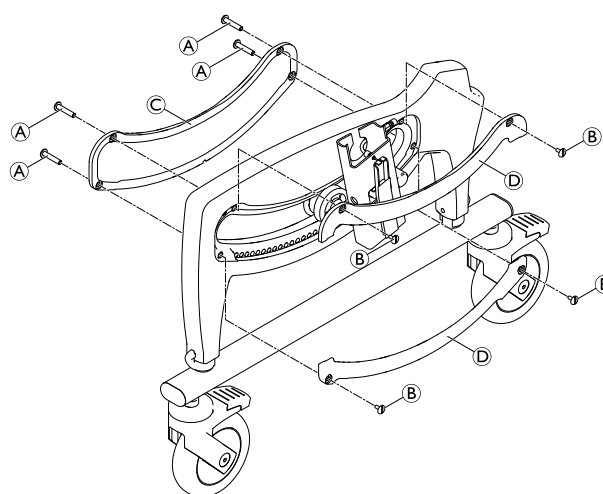


1. Irrota jarrusuojus istuimen rungosta, katso ohjeet käyttöoppaasta.
2. Irrota kirjansidontaruuvien mutterit **A** ja kirjansidontaruuvit **B**.
3. Irrota sivuosan ulkosuojus **C**.
4. Irrota sivuosan sisäsuojukset **D**.



Asenna sivuosan sisä- ja ulkosuojukset toistamalla vaiheet 4–1 päinvastaisessa järjestyksessä.

**B** = kiristä käsin



## 5.8 Istuimen kannattimen kiinnikkeen vaihtaminen (Ocean VIP Ergo / Ocean Dual VIP Ergo)



Talttaruuvimeisseli / kuusiokoloavain (4 mm)



1. Irrota jarrusuojus istuimen rungosta, katso ohjeet käyttöoppaasta.
2. Irrota kirjansidontaruuvien mutterit **A** ja kirjansidontaruuvit.
3. Irrota sivuosan ulkosuojus **B**.
4. Irrota sivuosan sisäsuojukset.
5. Irrota pultit **C**, aluslevyt **D** ja laippapyörät **E**.
6. Aseta uudet laippapyörät, aluslevyt ja pultit paikoilleen ja kiristä.

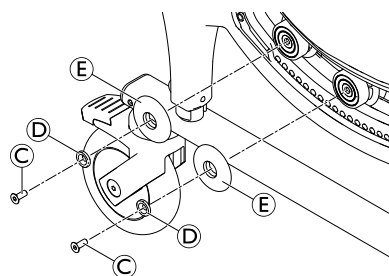
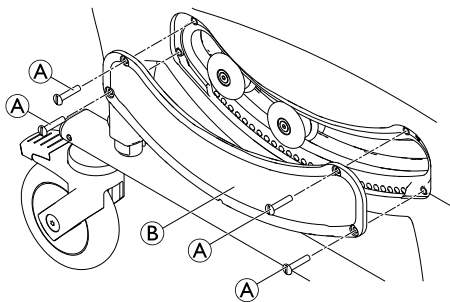


Tarkista sivuosan ulkosuojus **B** vaurioiden varalta ja vaihda tarvittaessa.

7. Kiinnitä sivuosan ulkosuojus takaisin paikoilleen kirjansidontaruuvien mutterilla **A**.
8. Toista samat vaiheet rungon toisella puolella.

**A** = kiristä käsin

**C** = 6 Nm





## 5.9 Sivuosienvaihtaminen (Ocean VIP Ergo / Ocean Dual VIP Ergo)



Talttaruuvimeisseli / kuusiokoloavain (4 mm)



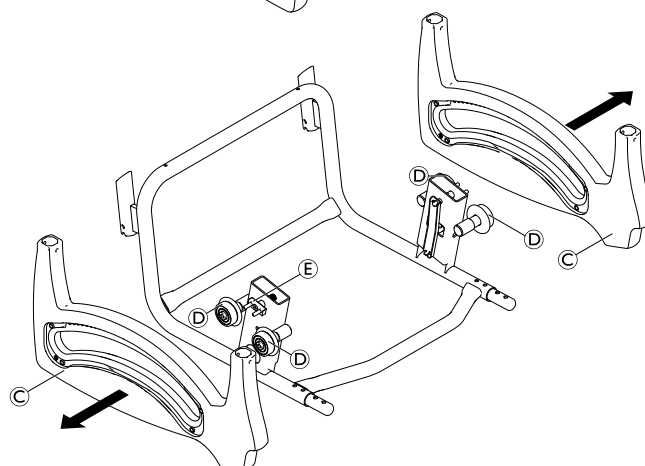
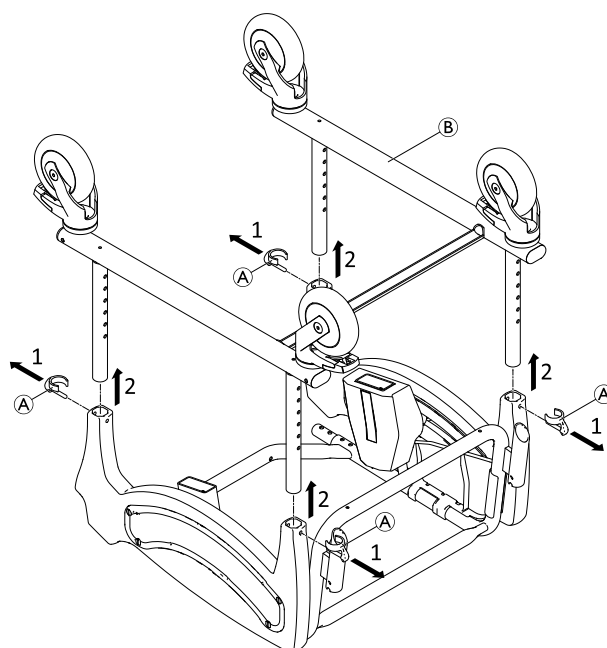
**i** Irrota selkänoja istuimen rungosta työn helpottamiseksi, katso ohjeet käyttöoppaasta.

1. Irrota istuinlevy, katso ohjeet käyttöoppaasta.
2. Aseta istuimen runko ja sivuosat ylösalaisin tukevalle pinnalle.
3. Irrota kiinnikkeet **A** ja vedä koko alarunko **B** ulos sivuosista.
4. Irrota jarrusuojuukset istuimen rungosta, katso ohjeet käyttöoppaasta.
5. Irrota sivuosan sisä- ja ulkosuojukset ja istuimen kannattimen kiinnikkeet molemmilta puolilta, katso luvut 5.7 *Sivuosan sisä- ja ulkosuojusten vaihtaminen (Ocean VIP Ergo / Ocean Dual VIP Ergo)*, sivu 191 ja 5.8 *Istuimen kannattimen kiinnikkeen vaihtaminen (Ocean VIP Ergo / Ocean Dual VIP Ergo)*, sivu 192
6. Irrota sivuosat **C** vetämällä ne irti kannattimista **D**.

**i** Asenna sivuosat toistamalla vaiheet 6–1 päinvastaisessa järjestyksessä.

### TÄRKEÄÄ!

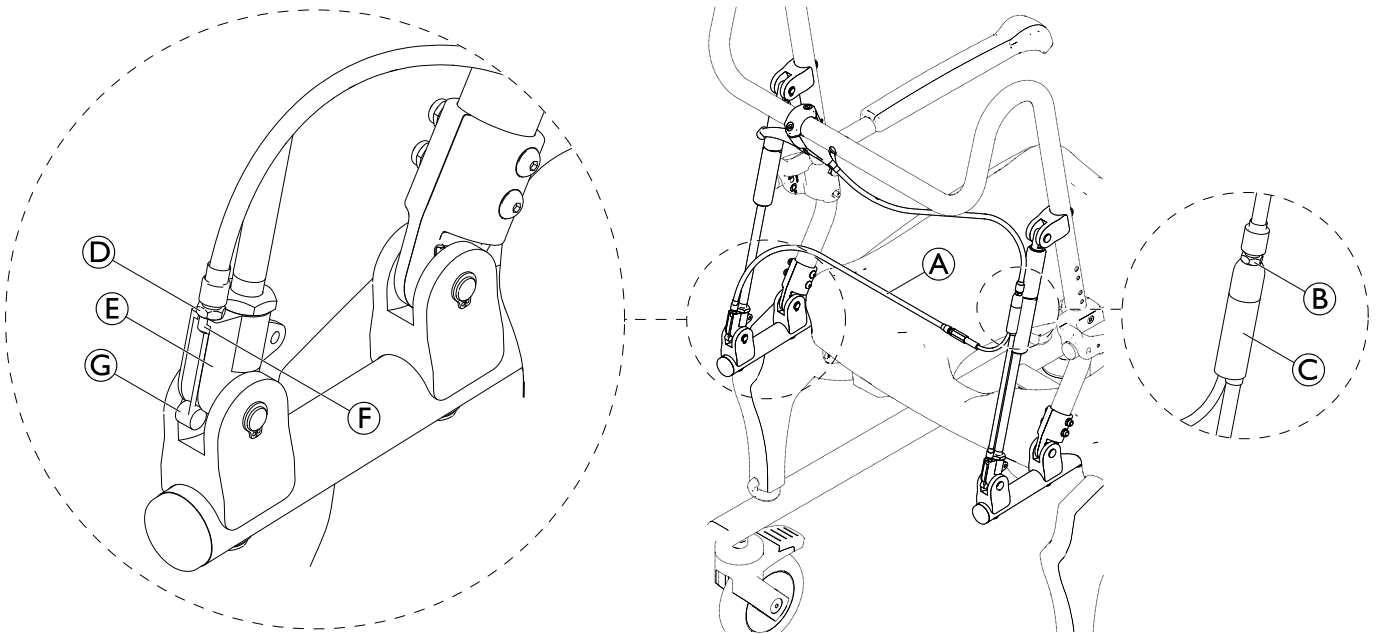
- Varmista, että jarrutapit **E** on asennettu samoihin kohtiin vasemmalla ja oikealla puolella.




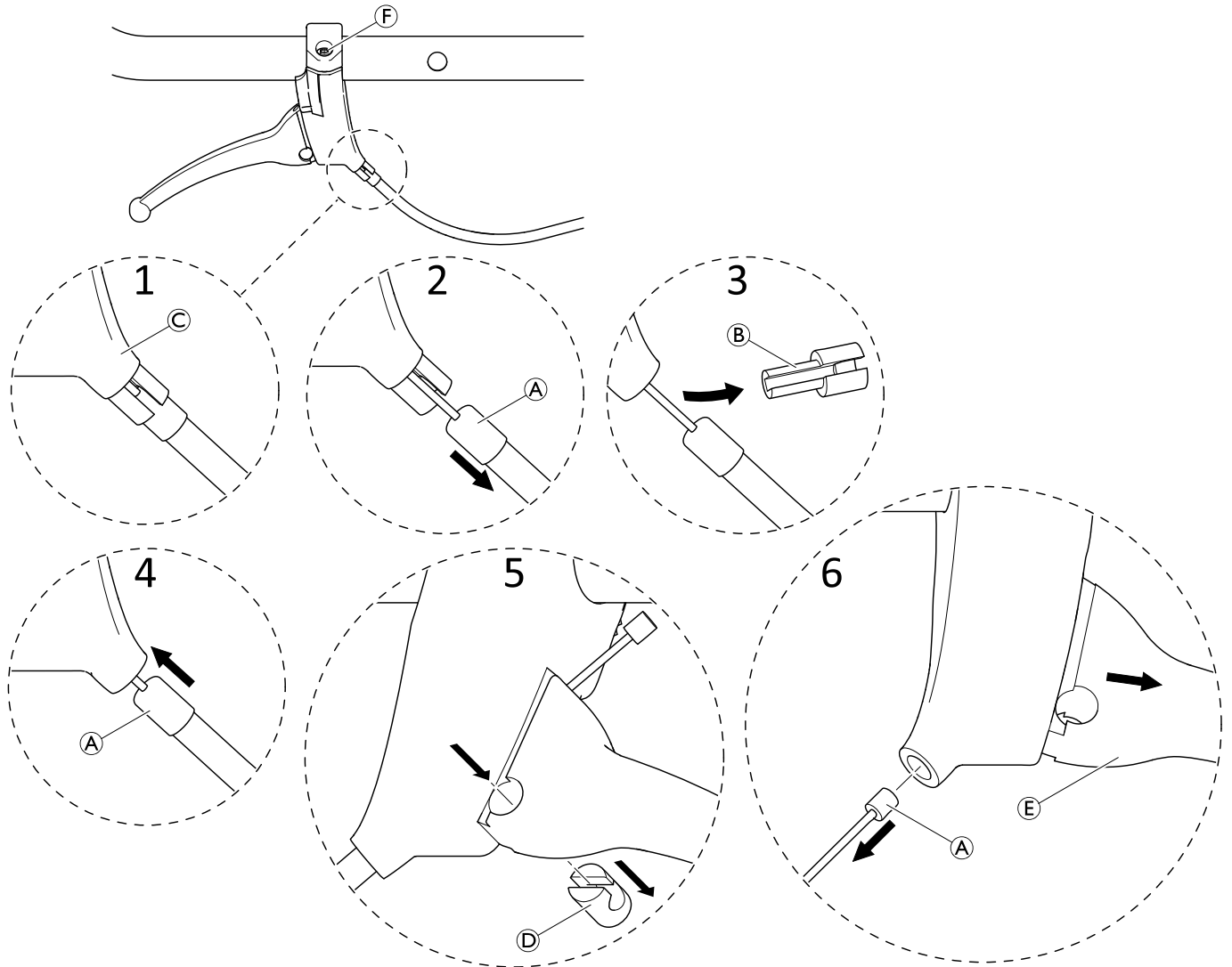
## 5.10 Kaasujousen – vapautusmekanismin – selkänöjan kallistuksen bowdenkaapelin vaihtaminen (Ocean Dual VIP / Ocean Dual VIP Ergo)




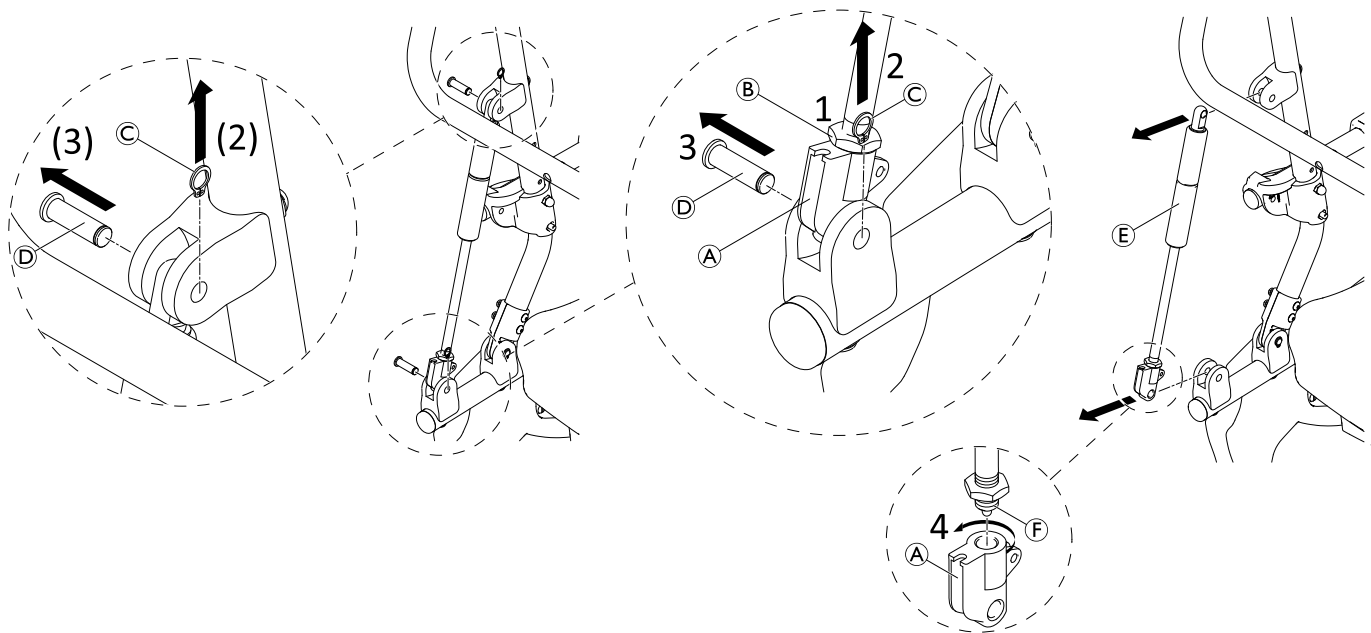
Ruuviavain (6, 8) / kuusiokoloavain (4 mm) / lukkorengaspihdit



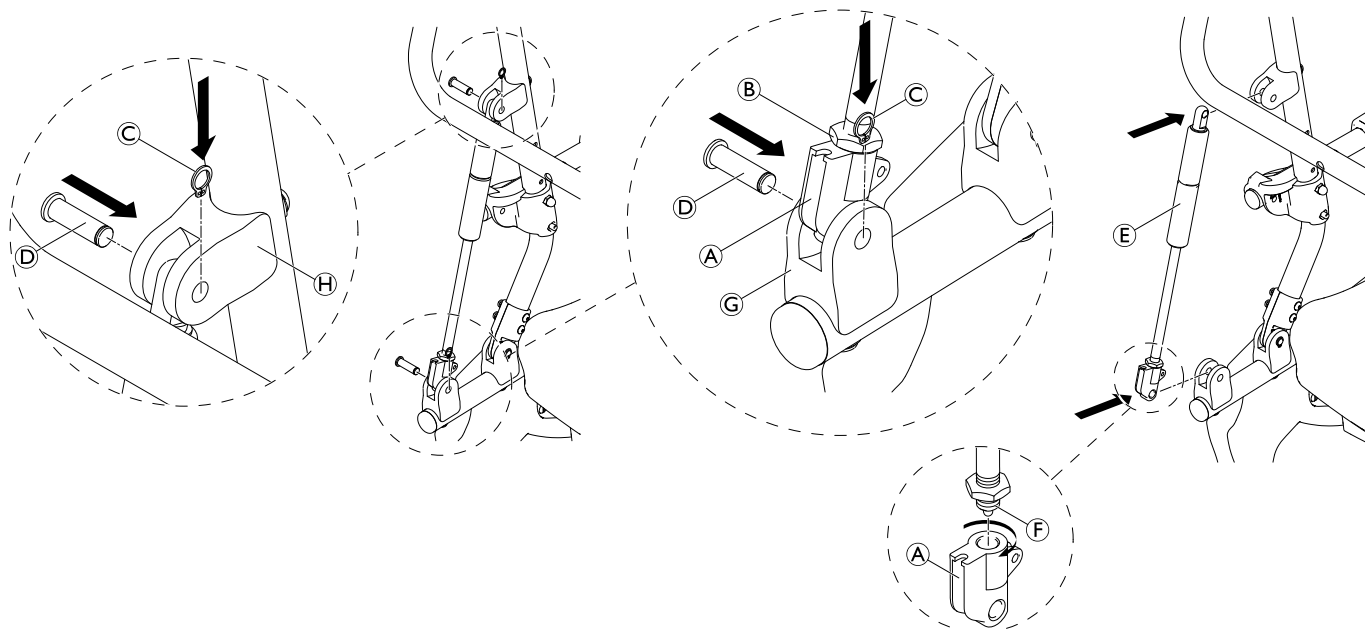
1. Löysää jakajan © mutteri ② kokonaan ja kierrä se ylös asti. Käännä yläosa jakajan sisään.
2. Löysää vapautusmekanismin ⑤ mutteri ④ ja kierrä se ylös asti. Ruuvaa kierteinen osa ⑥ irti vapautusmekanismista.  
 Tätä helpottaa, kun vedät bowdenkaapelia ① hiukan ylöspäin.
3. Irrota bowdenvaijerin pää © koukusta.




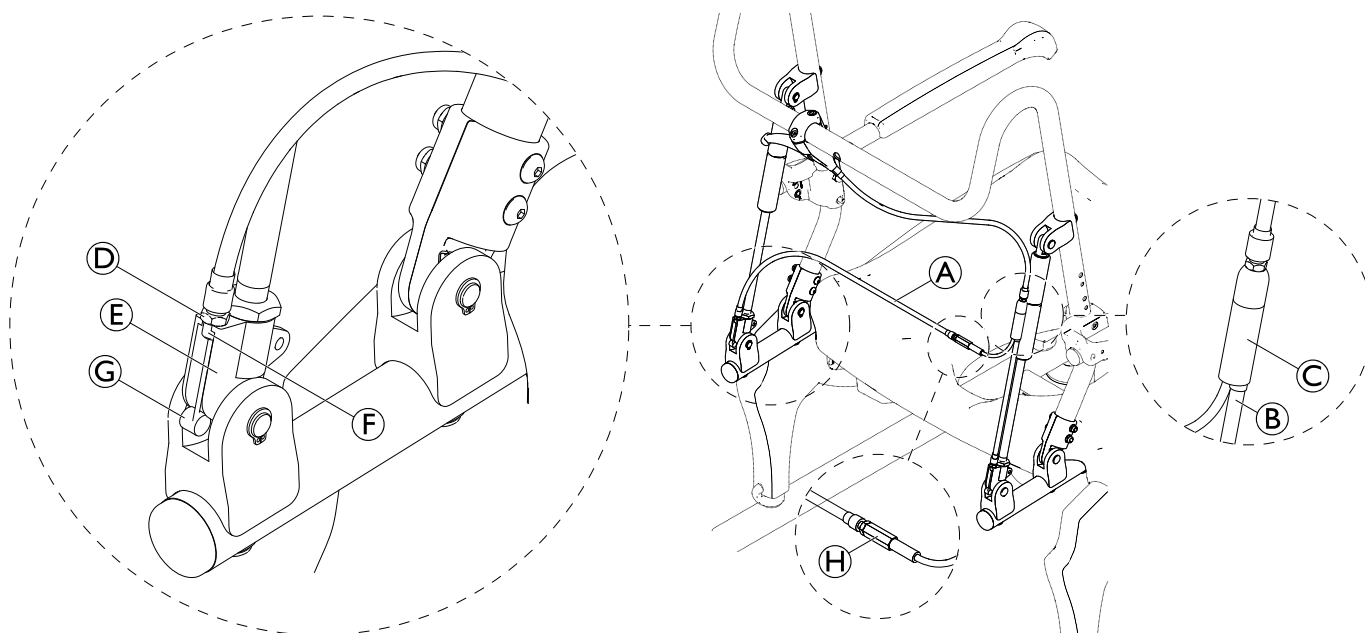
1. Jos aktivointikahva ja bowdenkaapeli on vaihdettava: Ruuvaa vanha aktivointikahva irti työntötangosta ja ruuvaa uusi kahva kiinni.
2. Jos bowdenkaapeli **A** tai aktivointikahva **C** on vaihdettava: Vedä bowdenkaapelia hiukan ulos aktivointikahvasta.
3. Irrota holkki **B**.
4. Työnnä bowdenkaapelia sisään ja avaa jarrun lukitus (jarrun lukitus ei näy kuvassa).
5. Työnnä holkki **D** ulos.
6. Vedä bowdenkaapeli kokonaan ulos ja irrota jarruvipu **E**.
7. Jos aktivointikahva on vaihdettava: Avaa ruuvit **F** ja irrota aktivointikahva. Kokoa uusi aktivointikahva. Irrota jarruvipu **E**.
8. Kiinnitä bowdenkaapeli uudelleen kokoamista varten aktivointikahvaan ja jarruvipuun.
  -  Jos on asennettava uusi bowdenkaapeli, varmista, ettei kaapeli ole kireällä, katso sivu 17, vaiheet 1 ja 2.
9. Kokoa holkki **D** uudelleen. Kiinnitä huomiota oikeaan suuntaukseen.
10. Asenna jarruvipu **E** uudelleen.
11. Kokoa holkki **B** uudelleen vetämällä kevyesti kaapelista.




1. Jos vapautusmekanismi (A) on vaihdettava: Löysää mutteria (B).
2. Irrota varmistinrenkas (C).
3. Irrota pultti (D) (jos koko kaasujousi on vaihdettava, irrota myös ylempi varmistinrenkas ja pultti ja irrota kaasujousi (E).)
  - i Työnnä tarvittaessa selkänojaa hieman eteenpäin, jotta pultti on helpompi poistaa.
4. Jos vapautusmekanismi on vaihdettava: Käännä vapautusmekanismia (A) alaspäin kierteisestä osasta (F).



1. Jos vapautusmekanismi (A) on vaihdettava: Ruuvaa uusi vapautusmekanismi uudelleen paikoilleen (vapauta 2 kierrettä tai 1,5–2 mm etäisyyttä vapautusmekanismin ja männänvarren (F) kierteen alun väliltä).
2. Aseta pultit (D) ja varmistinrenkaat (C) takaisin alakiinnityskohtiin (G) ja tarvittaessa yläkiinnityskohtiin (H), jos koko kaasujousi on vaihdettu.
  -  Työnnä tarvittaessa selkänojaa hieman eteenpäin, jotta pultti on helpompi asettaa paikoilleen.
3. Kiristä vapautusmekanismin mutteri (B).



1. Valmistelee bowdenkaapeli (A): Varmista, että kaapelin pää (B) on oikeassa asennossa jakajassa (C).
2. Ripusta bowdenvaijerin pää (G) vapautusmekanismiin (E).
  -  Pidempi pää asennetaan vasemman puolen vapautusmekanismiin, lyhyempi oikealle.
3. Kohdista mutterin (D) kierre (F) vapautusmekanismiin ja ruuvaa se kiinni (varmista, että kierre on kiinni riittävän pitkältä matkalta). Vedä tätä varten kaapelia varovasti ylöspäin.

**TÄRKEÄÄ!**

– Varmista, että vapautusmekanismin muoviosa pysyy alhaalla ruuvattaessa.

**TÄRKEÄÄ!**

– Varmista, että asetukset ovat samat vasemmalla ja oikealla puolella. Kaapelia ylöspäin vedettäessä tuntuvan väljyyden on oltava sama molemmilla puolilla. Tätä voidaan säätää vapautusmekanismin kaapelin päässä olevan kierteen/mutterin avulla ja pidemmän kaapelin säätöosan  $\oplus$  kierteen/mutterin avulla myötä- tai vastapäivään kiertämällä.


4. Kun säätö on valmis, lukitse vapautusmekanismin ja säätöosan mutterit.
5. Säädä bowdenkaapelia jakajan  $\odot$  avulla ja lukitse mutteri niin, että kahvassa ja vapautusmekanismissa tuntuu vain vähän väljyyttä (kaapelia vedettäessä). Jakajan asetuksen vuoksi vapautusmekanismin muoviosaa ei saa vetää ylöspäin.
6. Tarkista toiminto: Molempien kaasujousien on toimittava samanaikaisesti.

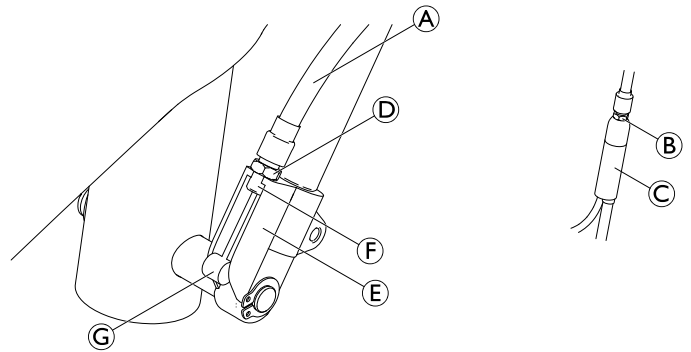
## 5.11 Kaasujousen – vapautusmekanismin – istuimen kallistuksen bowdenkaapelin vaihtaminen (Ocean VIP / Ocean Dual VIP)



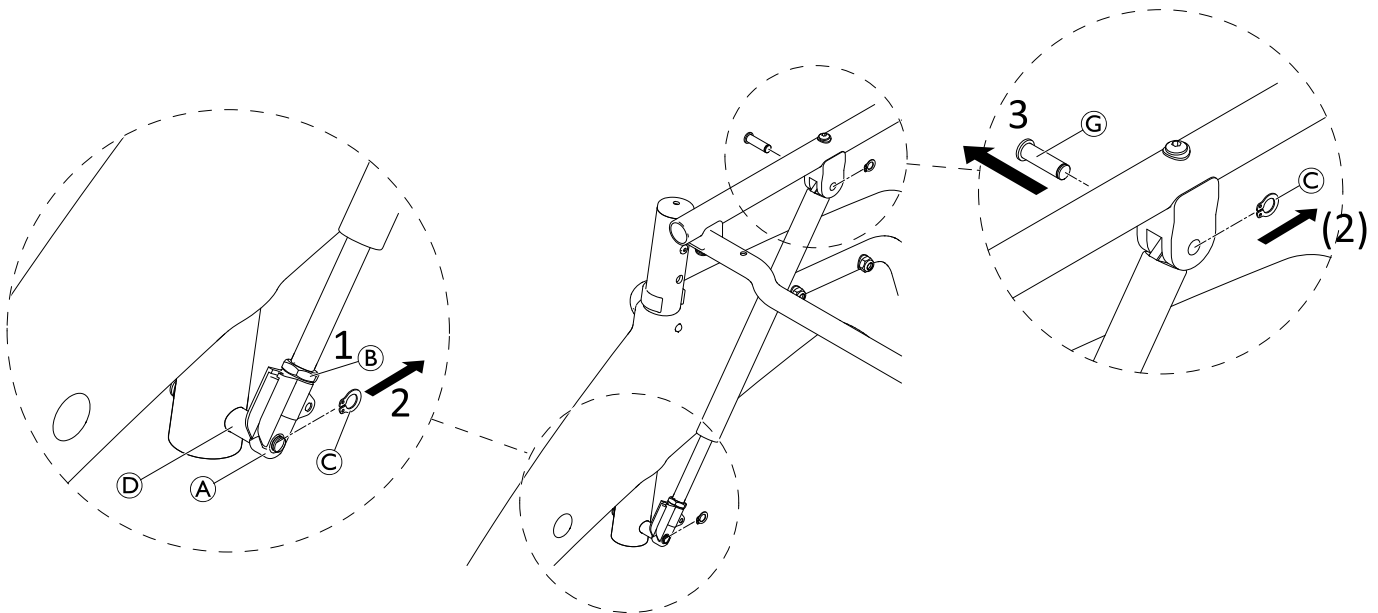
Ruuviavain (6, 8) / kuusiokoloavain (4 mm) / lukkorengaspihdit



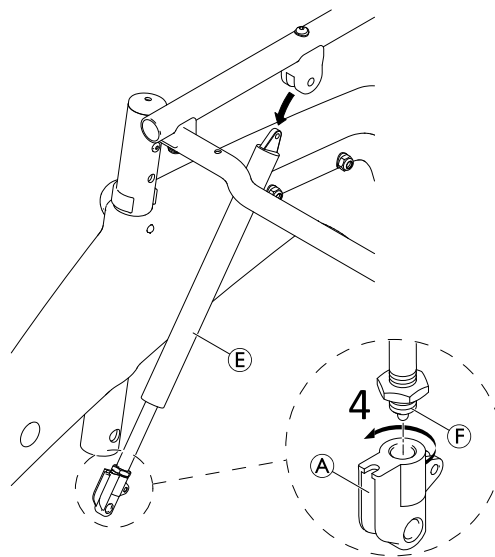
1. Löysää jakajan © mutteri ② kokonaan ja kierrä se ylös asti. Käännä yläosa jakajan sisään.
2. Löysää vapautusmekanismin ⑤ mutteri ④ ja kierrä se ylös asti. Ruuvaa kierteinen osa ⑥ irti vapautusmekanismista.  
 Tätä helpottaa, kun vedät bowdenkaapelia ① hiukan ylöspäin.
3. Irrota bowdenvaijerin pää ③ koukusta.

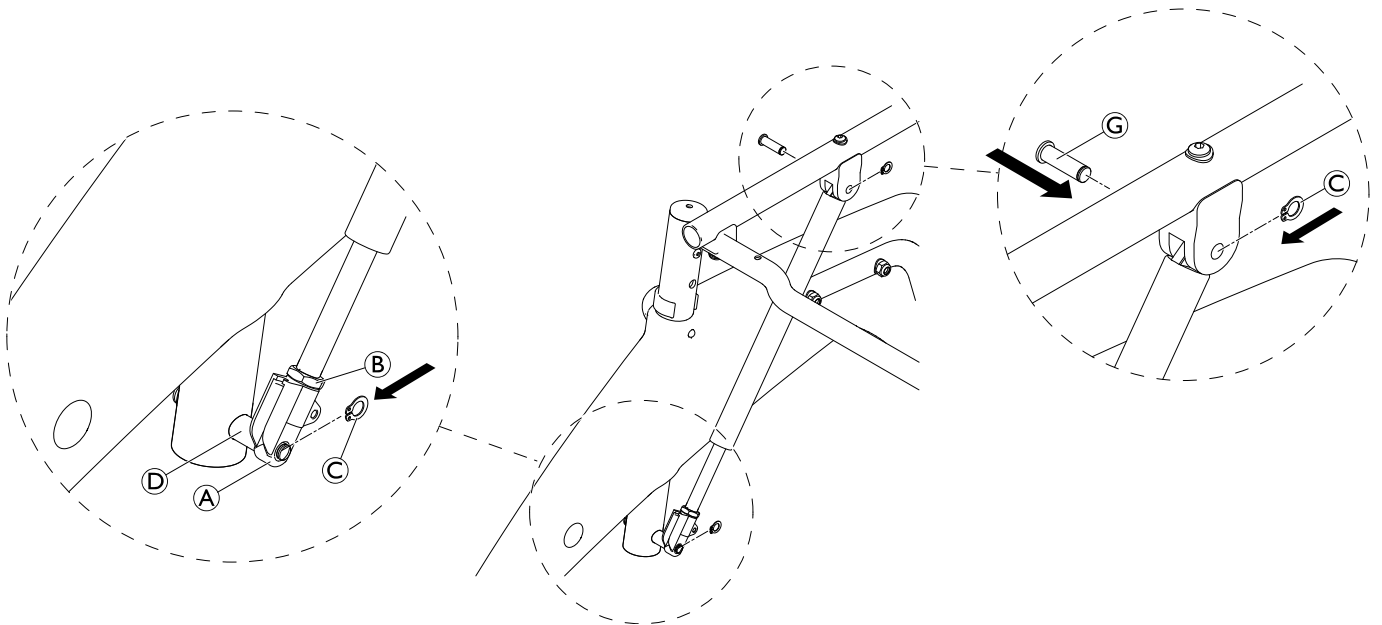


Jos aktivointikahva/bowdenkaapeli on vaihdettava, katso ohjeet luvusta 5.10 Kaasujousen – vapautusmekanismin – selkänöjan kallistuksen bowdenkaapelin vaihtaminen (Ocean Dual VIP / Ocean Dual VIP Ergo), sivu 194




1. Jos vapautusmekanismi ① on vaihdettava: Löysää mutteria ②.
2. Irrota varmistinrenkas ③.
3. Irrota kaasujousi ⑤ pultista ④.
4. Jos koko kaasujousi on vaihdettava, irrota myös ylempi varmistinrenkas ja pultti ③ ja irrota kaasujousi ⑤.
5. Jos vapautusmekanismi on vaihdettava: Käännä vapautusmekanismia ① alaspäin kierteisestä osasta ⑥.






1. Jos vapautusmekanismi ① on vaihdettava: Ruuvaa uusi vapautusmekanismi uudelleen paikoilleen (vapauta 2 kierrettä tai 1,5–2 mm etäisyyttä vapautusmekanismin ja männänvarren ② kierteen alun väliltä).
2. Aseta kaasujousi ③ takaisin pulttiin ④, kiinnitä varmistinrenkailla ⑤ ja aseta tarvittaessa pultti ⑥ ja varmistinrenkaat ⑤ yläkiinnityskohtaan, jos koko kaasujousi on vaihdettu.

 Työnnä tarvittaessa selkänjojaa hieman eteenpäin, jotta pultti on helpompi asettaa paikoilleen.

3. Kiristä vapautusmekanismin mutteri ⑦.
4. Valmistelee bowdenkaapeli ⑧: Varmista, että kaapelin pää ⑨ on oikeassa asennossa jakajassa ⑩.
5. Ripusta bowdenvaijerin pää ⑪ vapautusmekanismiin ③.

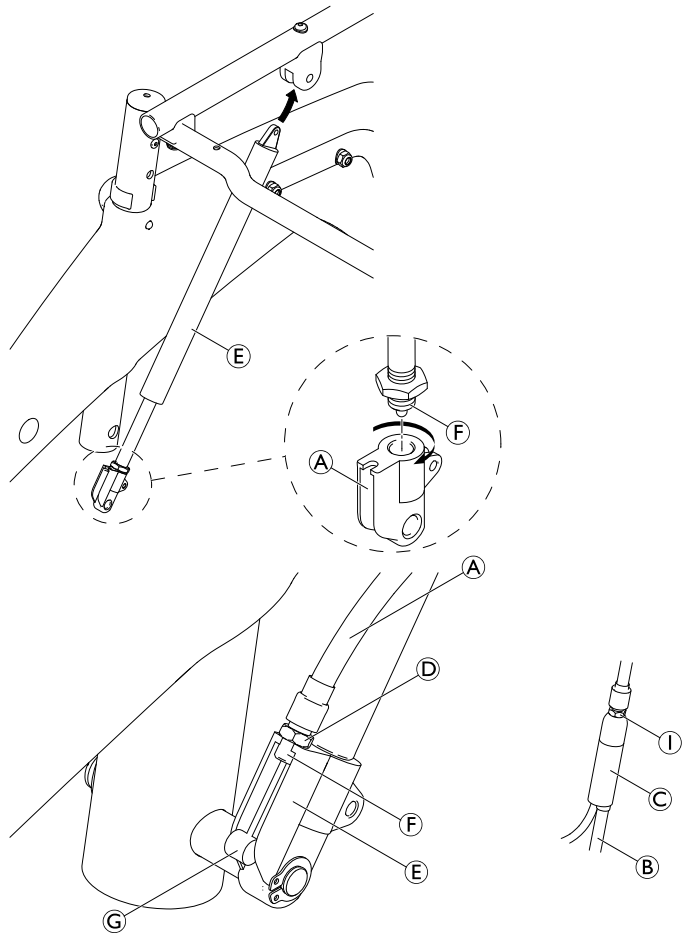
 Pidempi pää asennetaan oikean puolen vapautusmekanismiin, lyhyempi vasemmalle.

6. Kohdista mutterin ⑦ kierre ⑫ vapautusmekanismiin ja ruuvaa se kiinni (varmista, että kierre on kiinni riittävän pitkältä matkalta). Vedä tätä varten kaapelia varovasti ylöspäin.

### TÄRKEÄÄ!

- Varmista, että vapautusmekanismin muoviosa pysyy alhaalla ruuvattaessa.
- Varmista, että asetukset ovat samat vasemmalla ja oikealla puolella. Kaapelia ylöspäin vedettäessä tuntuva väljyyden on oltava sama molemmilla puolilla. Tätä voidaan säätää vapautusmekanismin kaapelin päässä olevan kierteen ja mutterin avulla.

7. Kun säätö on valmis, lukitse vapautusmekanismin ③ mutterit ⑦.
8. Säädä bowdenkaapelia jakajan ⑩ avulla ja lukitse mutteri ① niin, että kahvassa ja vapautusmekanismeissa tuntuu vain vähän väljyyttä (kaapelia vedettäessä). Jakajan asetuksen vuoksi vapautusmekanismin muoviosaa ei saa vetää ylöspäin.
9. Tarkista toiminto: Molempien kaasujousien on toimittava samanaikaisesti.

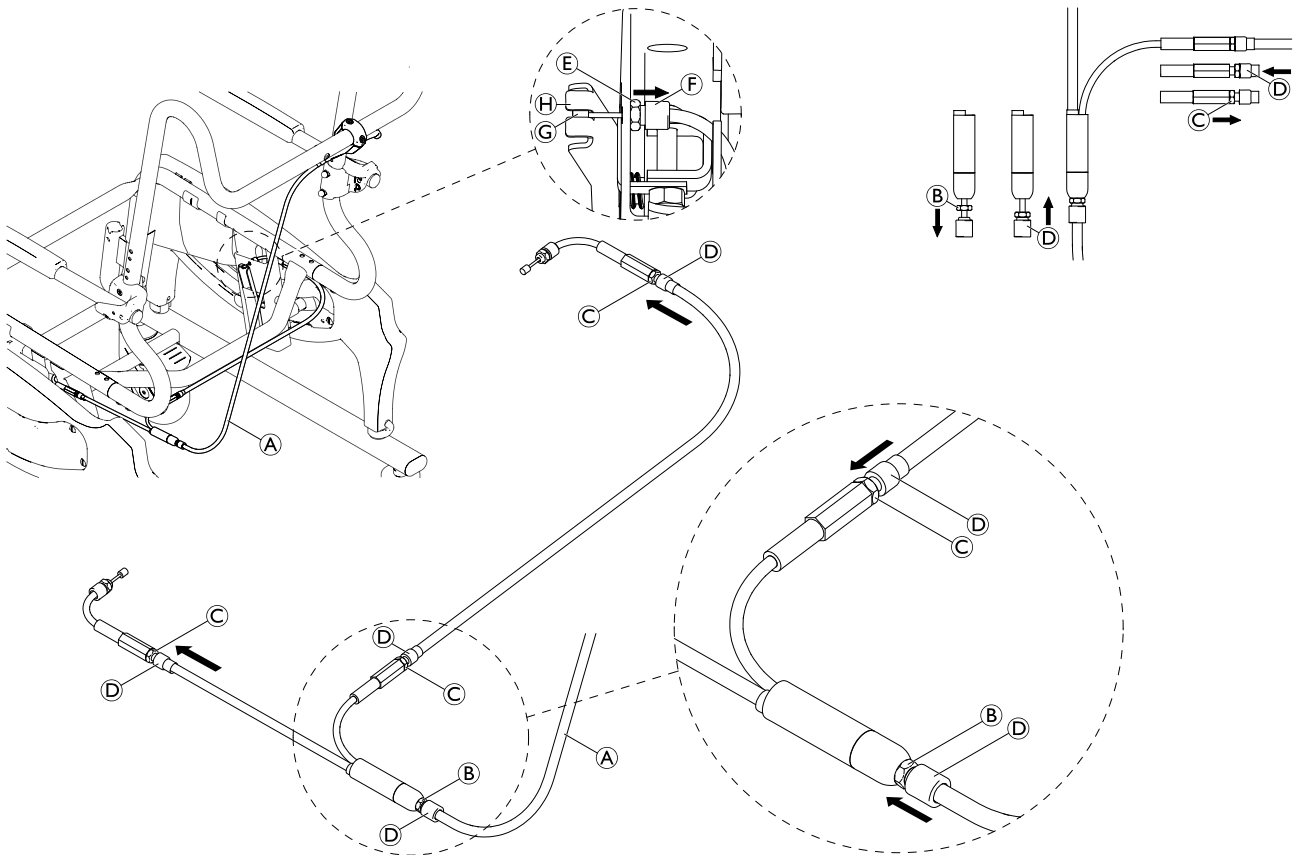




## 5.12 Istuimen kallistuksen bowdenkaapelin vaihtaminen (Ocean VIP Ergo / Ocean Dual VIP Ergo)



Kuusiokoloavain (4)



1. Irrota istuinlevy työn helpottamiseksi, katso ohjeet käyttöoppaasta.
2. Irrota jarrusuojus, katso ohjeet käyttöoppaasta.
3. Irrota kaapelisiteet.
4. Vapauta bowdenvaijeri A jännityksestä. Avaa tätä varten kokonaan kaikki työntökaapelin säätimien mutterit C ja jakajan mutteri B. Kierrä kierreholkkit D kokonaan sisään kaikkiin työntökaapelin säätimiin ja jakajaan.
5. Kierrä irti mutterit E kaapelin päissä.
6. Kierrä irti kierreholkki F kaapelin päissä ja anna kaapelin päiden G riippua jarruvivusta H.



Jos bowdenkaapeli on vaihdettava ilman aktivointikahvaa, bowdenkaapeli on purettava irti aktivointikahvasta, katso luku 5.10 Kaasujousen – vapautusmekanismin – selkänöjan kallistuksen bowdenkaapelin vaihtaminen (Ocean Dual VIP / Ocean Dual VIP Ergo), sivu 194

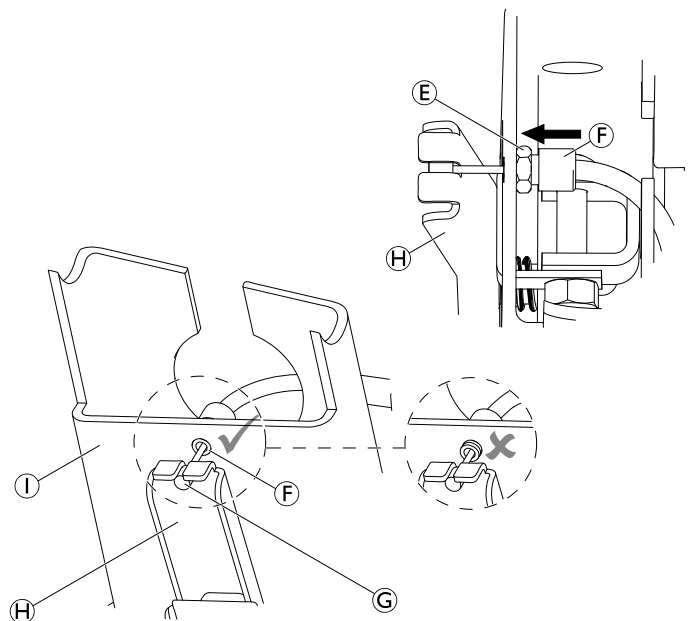
Jos bowdenkaapeli on vaihdettava yhdessä aktivointikahvan kanssa, aktivointikahva on vaihdettava, katso käyttöopas.

7. Asenna uusi bowdenkaapeli (lyhyempi pää vasemmalle puolelle) ja kiinnitä kaapelin päissä olevat silmukat G jarruvipuihin H. Kierrä kierreholkkia F sisään päin, kunnes se on samassa tasossa jarrukotelon I kanssa.



Kierreholkki ei saa työntyä yli.

8. Lukitse mutteri E.



## Järjestelmän säätäminen

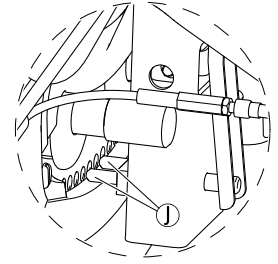


### Kuusiokoloavain (4)

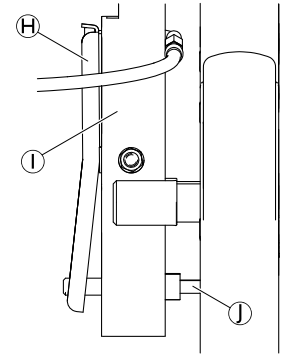
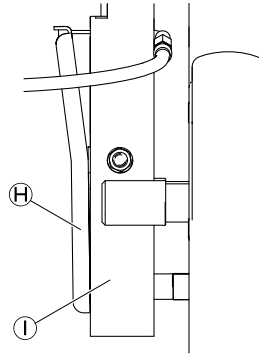


#### TÄRKEÄÄ!

- Jarrutappien ① on oltava kokonaan vedettynä ulos sivuosan rei'istä, kun jarrukahva on aktivoitu, ja jarrutappien on oltava kytkeytyneenä, kun jarrukahva on vapautettu.
- Kun jarrukahva aktivoidaan, jarrutappien on irtauduttava samanaikaisesti molemmilta puolilta, ja sivuosan ja jarrutappien väliin on jäätävä näkyvä rako.
- Jarruvipujen ② on oltava samassa tasossa jarrukotelon ① kanssa, kun jarrukahva on vapautettu/aktivoitu.

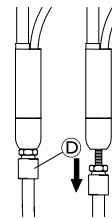


- ① Irrota sivuosien suojat näkyvyyden parantamiseksi ja työskentelyn helpottamiseksi.

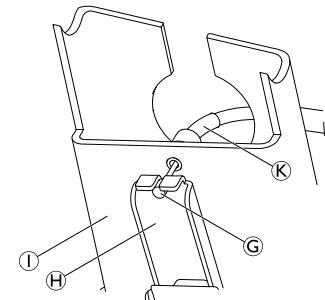
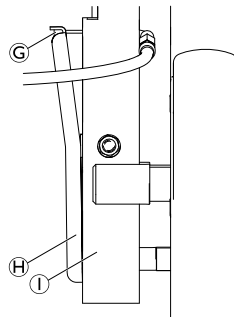


1. Kierrä jakajan kierreholkki ③ mahdollisimman pitkälle auki. Tämä pienentää kaapelin pään ④ ja jarruvivun ② välistä rako. Tällöin myös jarrukahvan toiminnallinen liikkumavara lyhenee.

- ① Varmista, että mustat muoviholkit ⑤ ovat säädön aikana oikeassa asennossa.



2. Varmista, että jarruvivun ② alaosa on samassa tasossa jarrukotelon ① kanssa.
3. Tarkista vällys vetämällä kaapelin päätä ④. Sääto on sopiva, kun kaapelin päätä ei saa vedettyä ulos.
4. Jos vasemmalla ja oikealla puolella on erilainen rako, sitä on säädettävä. Avaa tätä varten työntökaapelin säätimen kierreholkki säädettävältä puolelta.
5. Kun kaikki säädöt ovat kunnossa, lukitse mutterit ⑥ ja ⑦ (katso tämän luvun ensimmäinen kuva).
6. Tarkista kallistustoiminto. Jarrutappien on ehdottomasti lukkiuduttava oikein kaikissa asennoissa.
7. Kokoa kaapelisiteet.
8. Kokoa kaikki suojukset.



## 5.13 Päätuen / jalkanojan / amputaatiotuen lyhentäminen

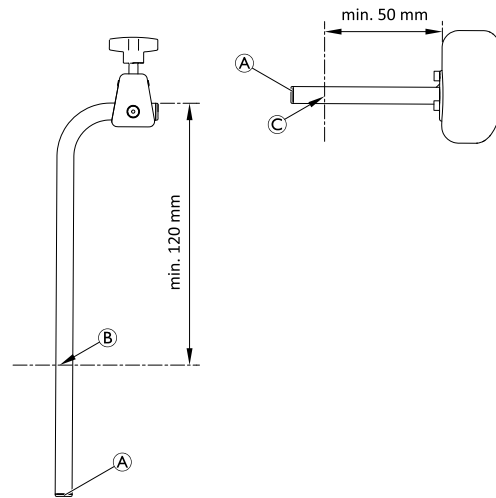


Kuusiokoloavain (M6 / SW4), saha, viivain, pora ja poranterä, Ø 8,1



### Päätuuki

1. Irrota tulppa (tulpat) **A**.
2. Katkaise korkeudensäätöputki **B** sopivan mittaiseksi (jäljelle jäävän osan vähimmäispituus 120 mm).
3. Katkaise syvyydensäätöputki **C** sopivan mittaiseksi (jäljelle jäävän osan vähimmäispituus 50 mm).
4. Siisti kaikki terävät reunat.
5. Aseta tulppa (tulpat) takaisin paikoilleen.



### Jalkanoja

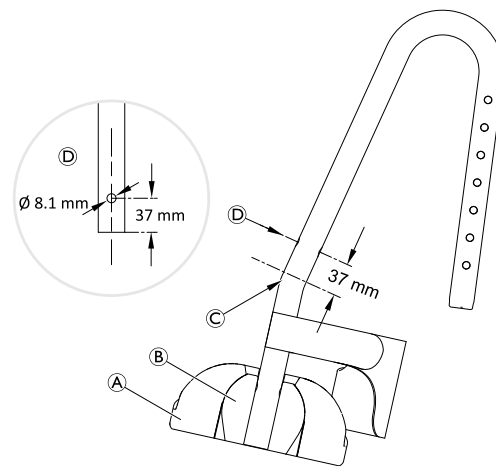
1. Irrota jalkalevy **A** ja nivelliitos **B**.
2. Katkaise putki sopivan mittaiseksi aivan mutkan **C** yläpuolelta.
3. Pora  $\varnothing 8,1$  mm:n reikä **D** 37 mm:n päähän putken alareunasta.
4. Siisti kaikki terävät reunat.
5. Kiinnitä nivelliitos ja jalkalevy takaisin paikoilleen.



Katso ohjeet jalkalevyjen irrottamiseen ja asentamiseen luvusta 5.5 *Jalkalevyjen vaihtaminen*, sivu 189

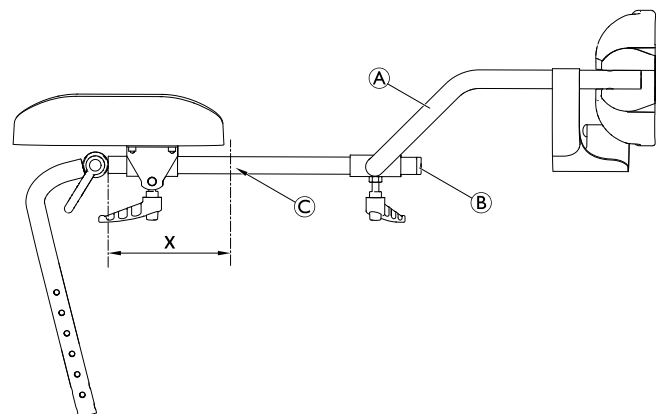


Katso ohjeet nivelliitoksen irrottamiseen ja asentamiseen luvusta 5.5.2 *Nivelliitoksen irrottaminen/asentaminen*, sivu 190



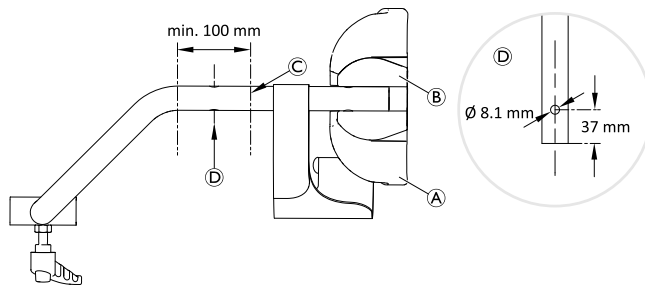
### Amputaatiotuki


1. Irrota jalkanojakokoonpano **A**.
2. Irrota tulppa **B**.
3. Katkaise putki **C** sopivan mittaiseksi (jäljelle jäävän osan vähimmäispituus x mm).  
Jos jalkanoja on käytössä, x = 140 mm  
Jos jalkanoja ei ole käytössä, x = 80 mm
4. Siisti kaikki terävät reunat.
5. Aseta tulppa takaisin paikoilleen.
6. Kiinnitä jalkanojakokoonpano takaisin paikoilleen (tarvittaessa).




### Amputaatiotuki (jalkanoja)

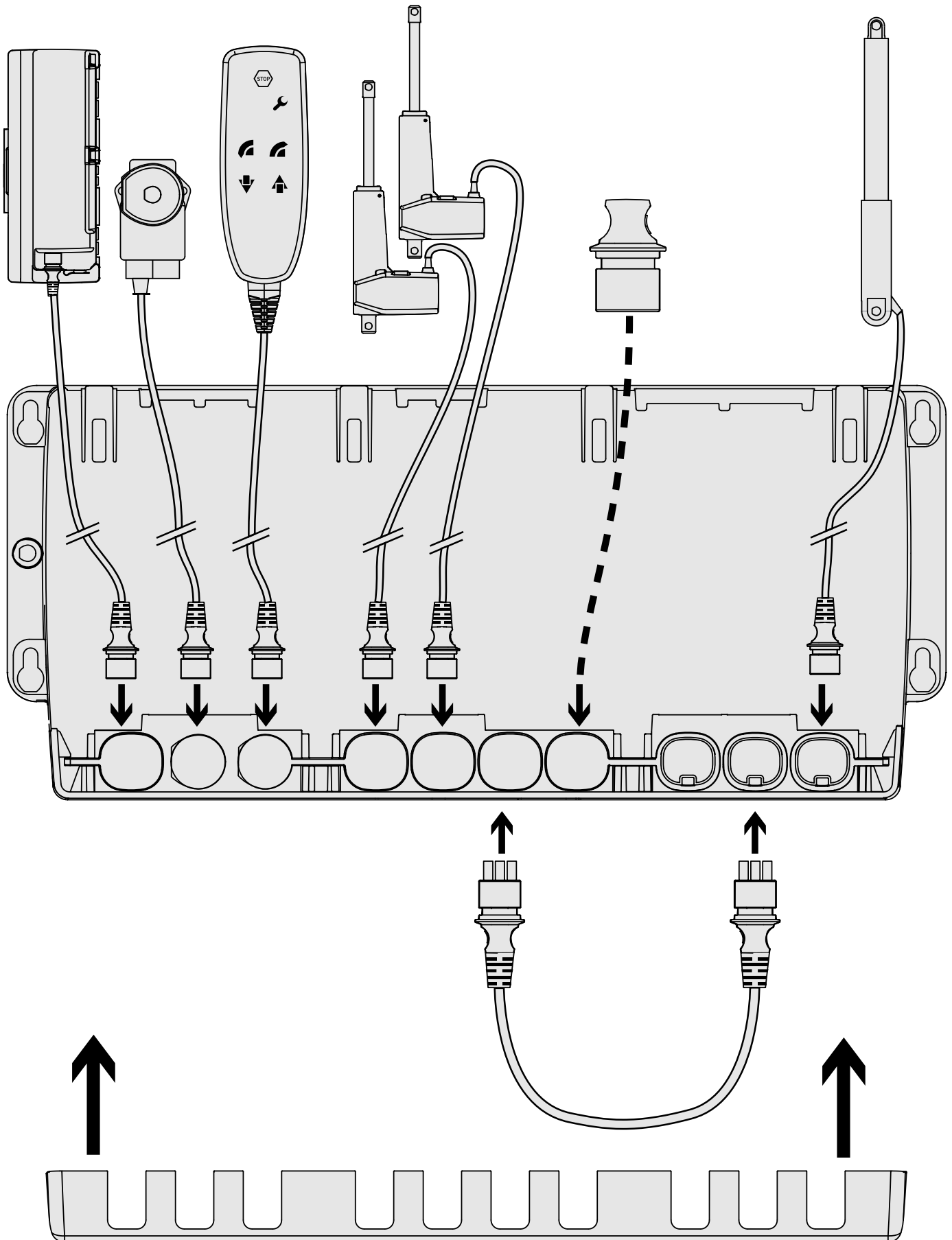
1. Irrota jalkalevy **A** ja nivelliitos **B**.
2. Katkaise putki **C** sopivan mittaiseksi (jäljelle jäävän osan vähimmäispituus 100 mm).
3. Pora  $\varnothing$  8,1 mm:n reikä **D** 37 mm:n päähän putken alareunasta.
4. Siisti kaikki terävät reunat.
5. Kiinnitä nivelliitos ja jalkalevy takaisin paikoilleen.



 Katso ohjeet jalkalevyjen irrottamiseen ja asentamiseen luvusta 5.5 *Jalkalevyjen vaihtaminen*, sivu 189


 Katso ohjeet nivelliitoksen irrottamiseen ja asentamiseen luvusta 5.5.2 *Nivelliitoksen irrottaminen/asentaminen*, sivu 190


## 5.14 Liitântäkaavio (Ocean E-VIP)

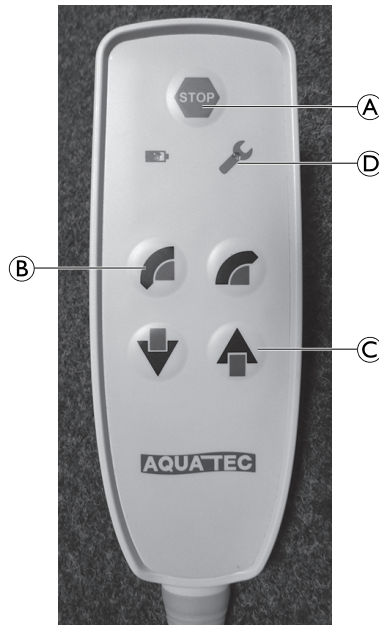


## Tuotteen nollaaminen

1. Pidä seuraavia kolme käsiohjaimen painiketta painettuna samanaikaisesti noin kolme sekunnin ajan: Punainen STOP-painike (A), eteenpäin-painike (B) ja nostopainike (C).  
Kun nämä kolme painiketta ovat painettuina, kuuluu äänimerkki.
2. Kun huollon merkkivalo (D) sammuu, vapauta painikkeet. Laitte on jälleen käyttövalmis.
3. Siirrä sitten korkeudensäädön käyttölaitteet alimpaan asentoon niin, että kuulet niiden kytkeytyvän pois toiminnasta.
4. Siirrä kallistuksen käyttölaitteet taakemaiseen asentoon niin, että kuulet sen kytkeytyvän pois toiminnasta. (Punainen merkkivalo vilkkuu ja kuuluu äänimerkki.)

 Vaihda myös kiinnikkeet uusiin, jos toimilaitteet vaihdetaan.

 Jos osia on vaihdettava, varmista, että kaikki kaapelit asennetaan uudelleen samalla tavoin kuin tuotetta toimitettaessa.





## Invacare distributors:

### Ireland:

Invacare Ireland Ltd,  
Unit 5 Seatown Business Campus  
Seatown Road, Swords, County  
Dublin  
EirCode: K67 K271 — Ireland  
Tel : (353) 1 810 7084  
Fax: (353) 1 810 7085  
ordersireland@invacare.com  
www.invacare.ie

### United Kingdom:

Invacare Limited  
Pencoed Technology Park, Pencoed  
Bridgend CF35 5AQ  
Tel: (44) (0) 1656 776 222  
Fax: (44) (0) 1656 776 220  
uk@invacare.com  
www.invacare.co.uk

### Danmark:

Invacare A/S  
Sdr. Ringvej 37  
DK-2605 Brøndby  
Tel: (45) (0)36 90 00 00  
Fax: (45) (0)36 90 00 01  
denmark@invacare.com  
www.invacare.dk

### Deutschland:

Invacare GmbH  
Am Achener Hof 8  
D-88316 Isny  
Tel: (49) (0)7562 700 0  
kontakt@invacare.com  
www.invacare.de

### Österreich:

Invacare Austria GmbH  
Herzog-Odilo-Straße 101  
A-5310 Mondsee  
Tel: (43) 6232 5535 0  
Fax: (43) 6232 5535 4  
info-austria@invacare.com  
www.invacare.at

### Schweiz / Suisse / Svizzera:

Invacare AG  
Benkenstrasse 260  
CH-4108 Witterswil  
Tel: (41) (0)61 487 70 80  
Fax: (41) (0)61 487 70 81  
switzerland@invacare.com  
www.invacare.ch

### España:

Invacare S.A.  
Avenida del Oeste, 50 – 1º-1ª  
Valencia-46001  
Tel: (34) 972 493 214  
contactsp@invacare.com  
www.invacare.es

### France:

Invacare Poirier SAS  
Route de St Roch  
F-37230 Fondettes  
Tel: (33) (0)2 47 62 64 66  
Fax: (33) (0)2 47 42 12 24  
contactfr@invacare.com  
www.invacare.fr

### Italia:

Invacare Mecc San s.r.l.,  
Via dei Pini 62,  
I-36016 Thiene (VI)  
Tel: (39) 0445 38 00 59  
Fax: (39) 0445 38 00 34  
italia@invacare.com  
www.invacare.it

### Nederland:

Invacare BV  
Galvanistraat 14-3  
NL-6716 AE Ede  
Tel: (31) (0)318 695 757  
nederland@invacare.com  
www.invacare.nl

### Belgium & Luxemburg:

Invacare nv  
Autobaan 22  
B-8210 Loppem  
Tel: (32) (0)50 83 10 10  
Fax: (32) (0)50 83 10 11  
belgium@invacare.com  
www.invacare.be

### Norge:

Invacare AS  
Grensesvingen 9, Postboks 6230,  
Etterstad  
N-0603 Oslo  
Tel: (47) (0)22 57 95 00  
Fax: (47) (0)22 57 95 01  
norway@invacare.com  
www.invacare.no

### Portugal:

Invacare Lda  
Rua Estrada Velha, 949  
P-4465-784 Leça do Balio  
Tel: (351) (0)225 193 360  
Fax: (351) (0)225 1057 39  
portugal@invacare.com  
www.invacare.pt

### Suomi:

Camp Mobility  
Patamäenkatu 5, 33900 Tampere  
Puhelin 09-35076310  
info@campmobility.fi  
www.campmobility.fi

### Sverige:

Invacare AB  
Fagerstagatan 9  
S-163 53 Spånga  
Tel: (46) (0)8 761 70 90  
Fax: (46) (0)8 761 81 08  
sweden@invacare.com  
www.invacare.se

### USA:

Clarke Health Care Products  
7830 Steubenville Pike  
Oakdale, PA 15071, USA  
Toll Free: (888) 347-4537  
Phone: (724) 695-2122  
Fax: (724) 695-2922  
info@clarkehealthcare.com  
www.clarkehealthcare.com

### Canada:

Invacare Canada L.P.  
570 Matheson Blvd East, Unit 8  
CDN Mississauga, On. L4Z 4G4  
Phone: (905) 890 8300  
Toll Free: 800.668.5324  
www.invacare.ca

### Australia:

Invacare Australia Pty. Ltd.  
1 Lenton Place, North Rocks NSW  
2151  
Australia  
Phone: 1800 460 460  
Fax: 1800 814 367  
orders@invacare.com.au  
www.invacare.com.au

### New Zealand:

Invacare New Zealand Ltd  
4 Westfield Place, Mt Wellington  
1060  
New Zealand  
Phone: 0800 468 222  
Fax: 0800 807 788  
sales@invacare.co.nz  
www.invacare.co.nz

### EU Export:

Invacare GmbH  
Am Achener Hof 8  
D-88316 Isny  
Tel: (49) 7562 700 397  
eu-export@invacare.com  
www.invacare.eu.com

### USA:

Invacare Corporation  
One Invacare Way  
Elyria, Ohio USA  
44035  
800-333-6900  
www.invacare.com



Invacare GmbH  
Am Achener Hof 8  
D-88316 Isny  
Germany

