

SERVICE MANUAL

Let's Move Outdoor rollator.
From Trustcare.



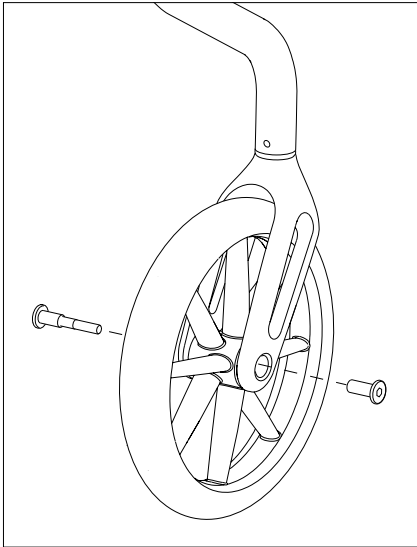
TABLE OF CONTENTS

Exchange of front and rear wheel	Art. No. LM317	Page 3
Exchange of front fork and bearings	Art. No. LM318	Page 4
Exchange of rear fork	Art. No. LM323	Page 5
Exchange of brake wire	Art. No. LM305	Page 6 - 8
Exchange of linkage arm	Art. No. LM312, LM321	Page 9
Exchange of seat and seat mounting set	Art. No. LM310, LM324	Page 10
Exchange of unfold hook	Art. No. LM311	Page 11
Exchange of middle joint folding cross	Art. No. 0493	Page 12

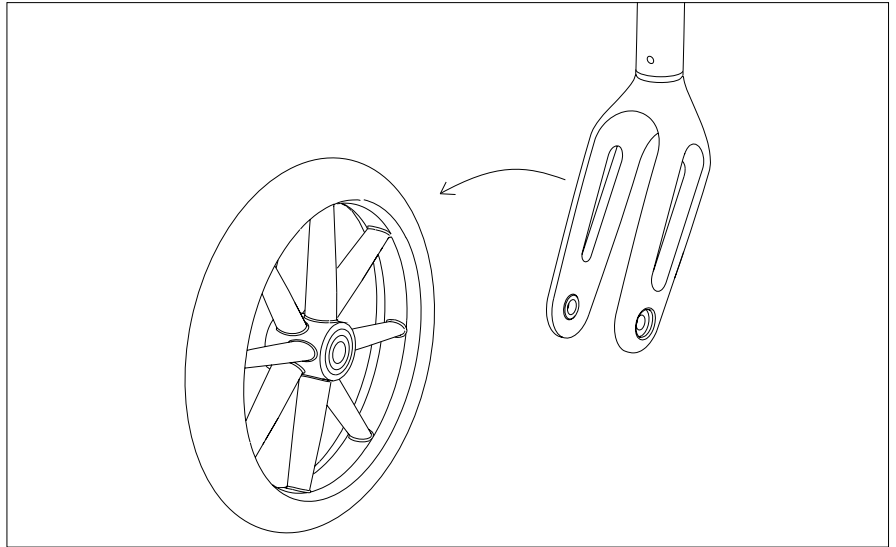
Exchange of front or rear wheel.

Let's Move Spare part. Art. No. LM317

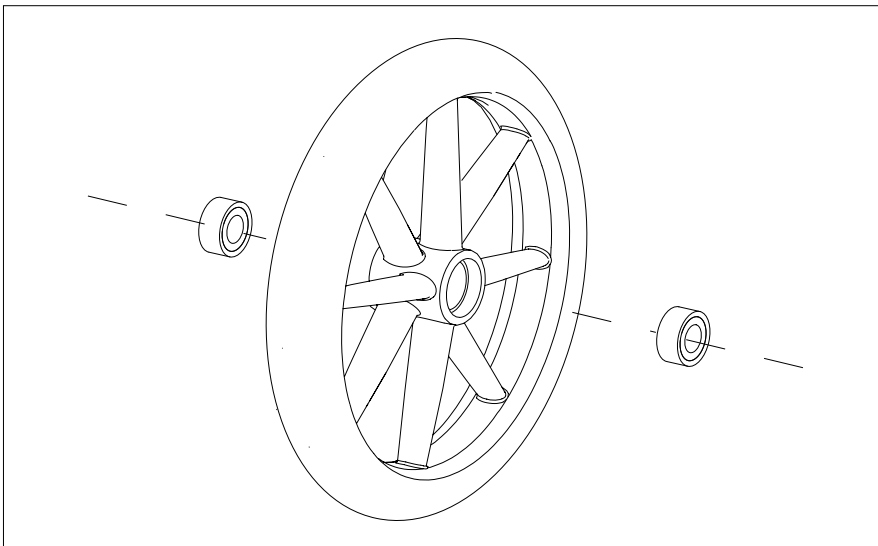
Let's Move Service Manual. Revision version No: 1 - Jan 2020



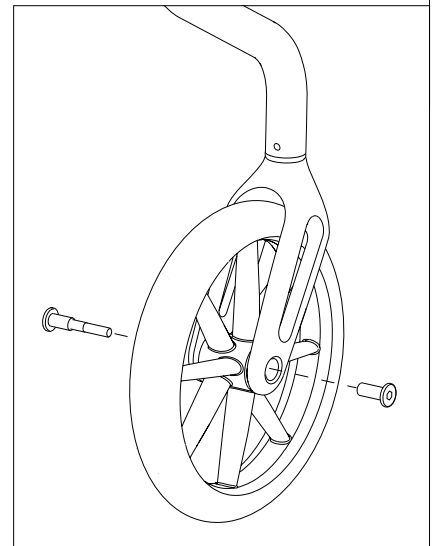
1. Unscrew the screws.



2. The wheel can be taken off and replaced with a new one.



3. Replace wheel bearings if necessary.

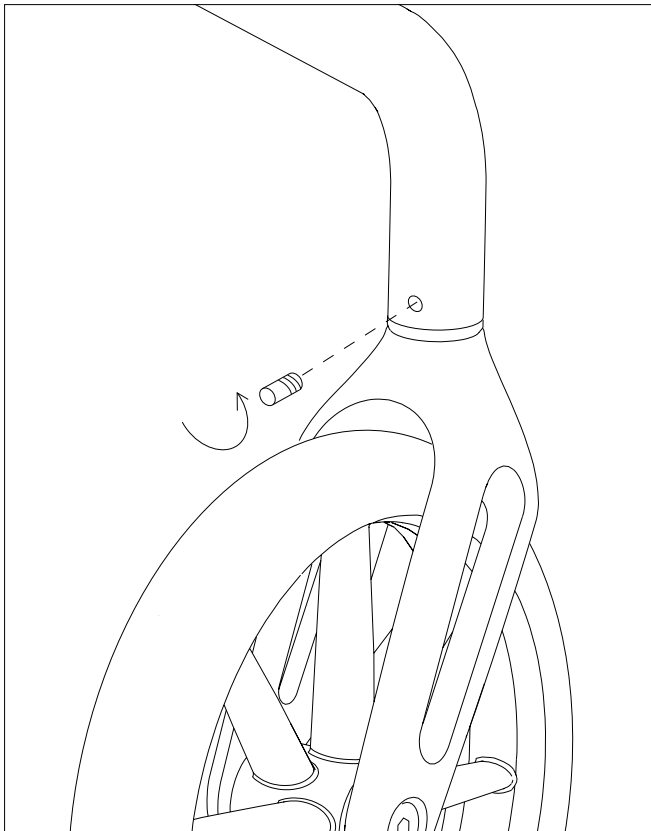


4. Screw the wheel back in place.

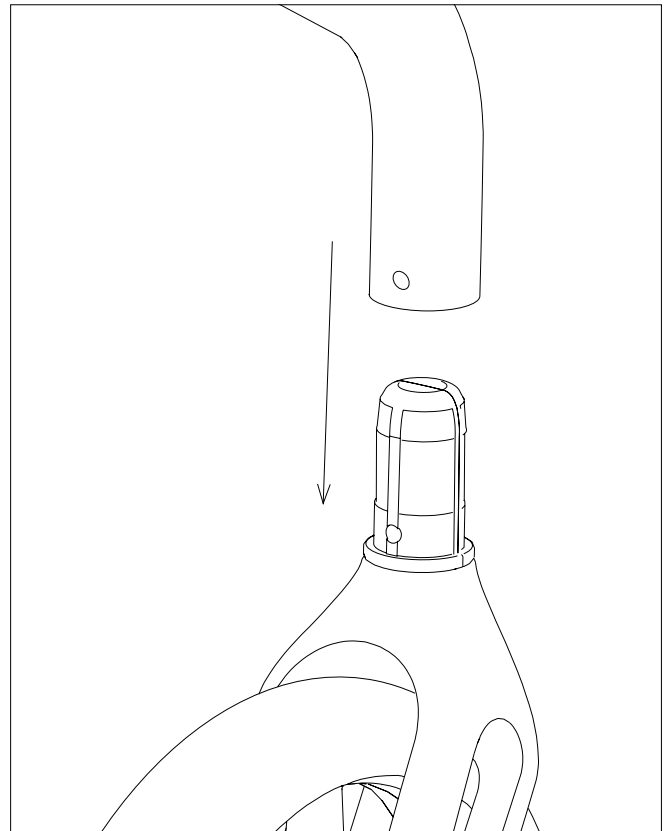
Exchange of front fork and bearings.

Let's Move Spare part. Art. No. LM318

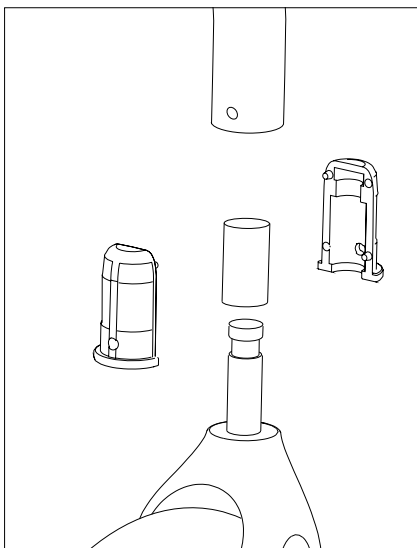
Let's Move Service Manual. Revision version No: 1 - Jan 2020



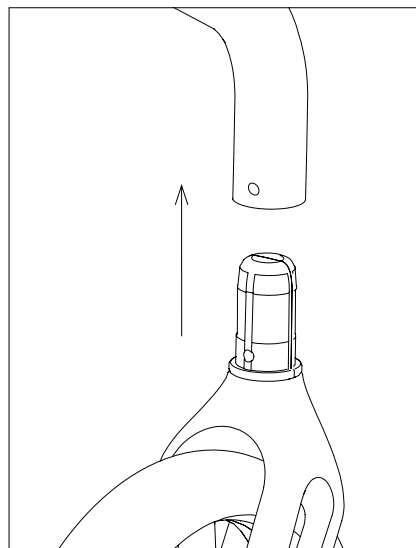
1. Unscrew the small screw.



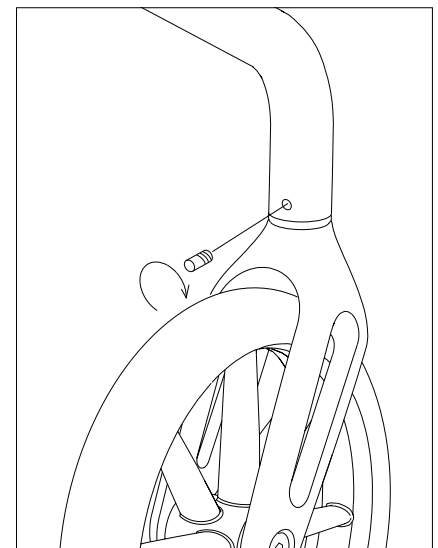
2. Pull out the front wheel assembly.



3. Separate the front fork and bushing and replace with new ones.



4. Push the front fork assembly into position.

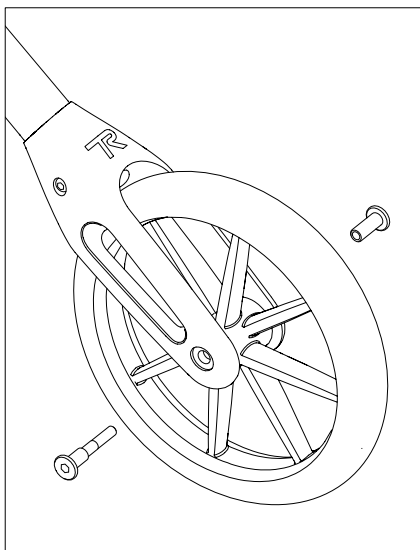


5. Secure the small screw.

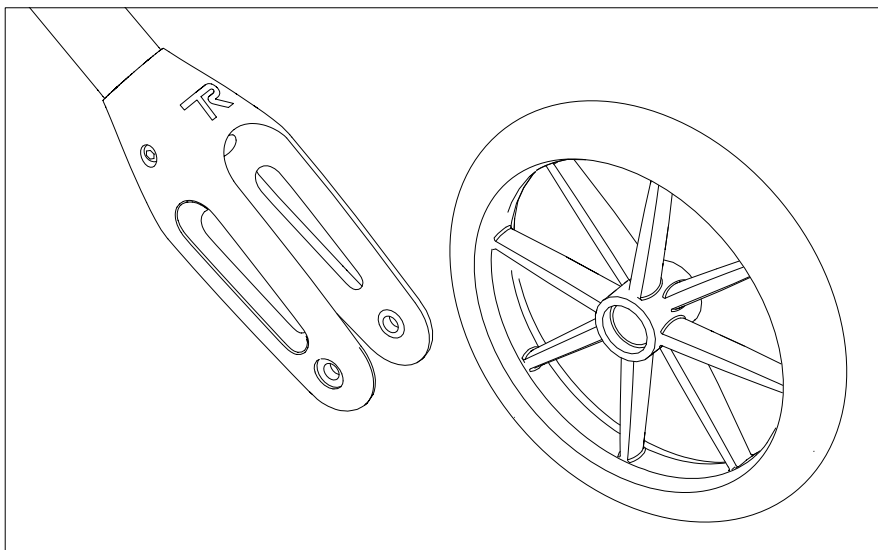
Exchange of rear fork.

Let's Move Spare part. Art. No. LM323

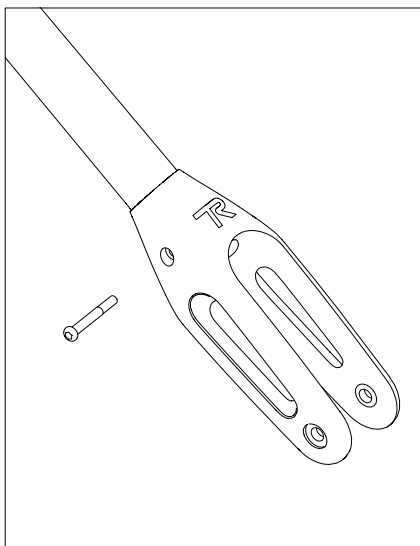
Let's Move Service Manual. Revision version No: 1 - Jan 2020



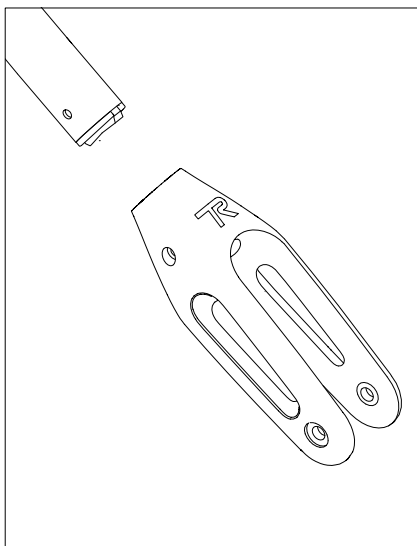
1. Unscrew the screws.



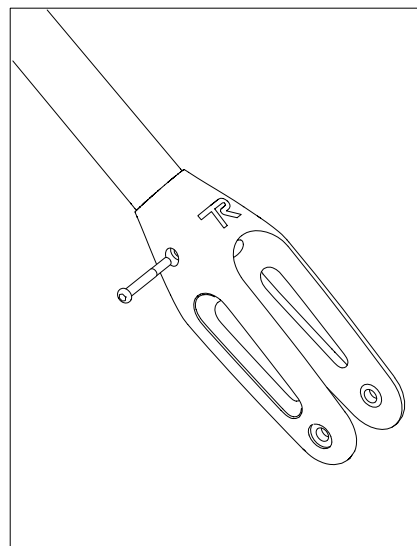
2. Remove the wheel.



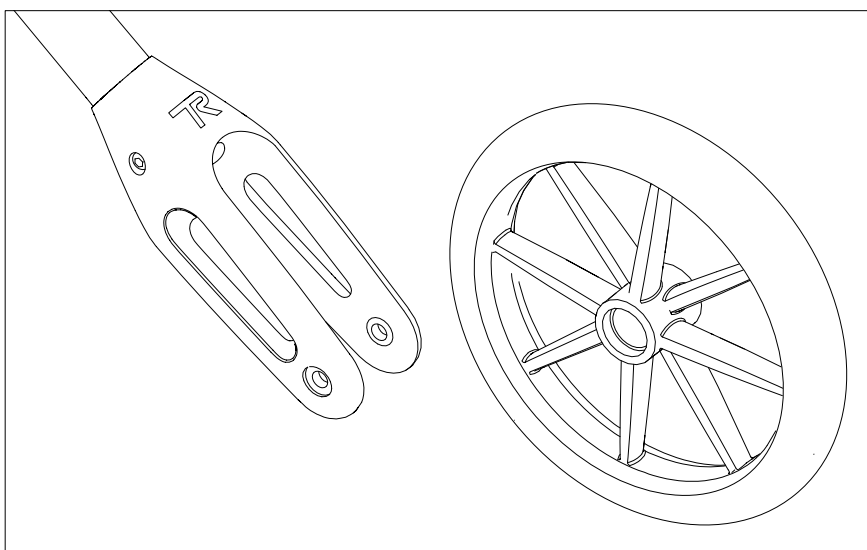
3. Unscrew the fork screw.



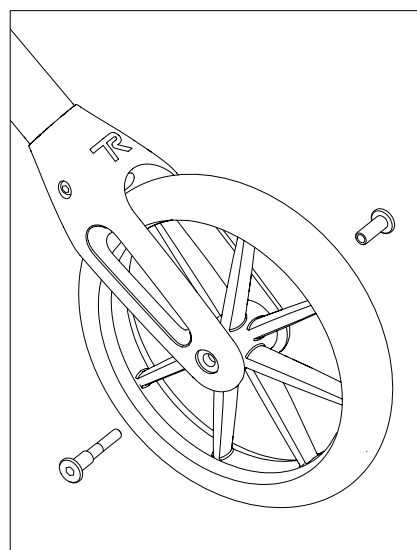
4. Replace the fork.



5. Secure the fork with screw.



6. Put the wheel back.

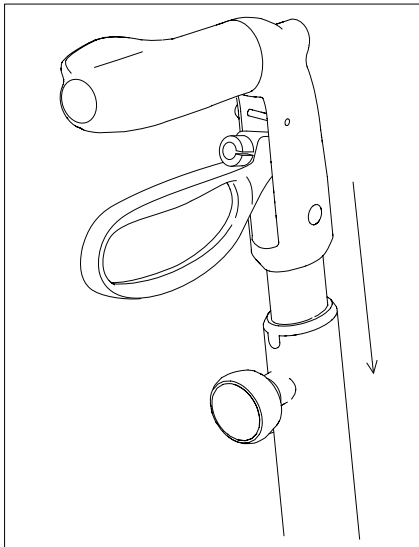


7. Secure the wheel with screws.

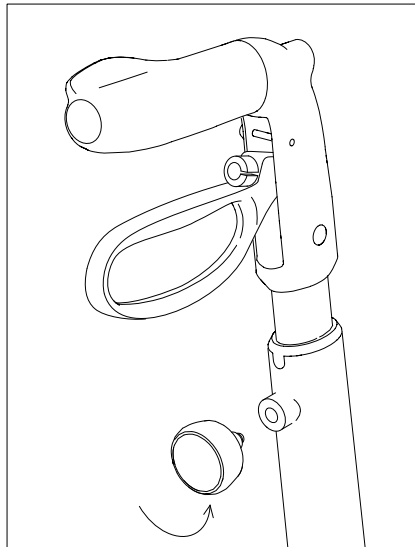
Exchange of brake wire Page 1/3.

Let's Move Spare part. Art. No. LM305

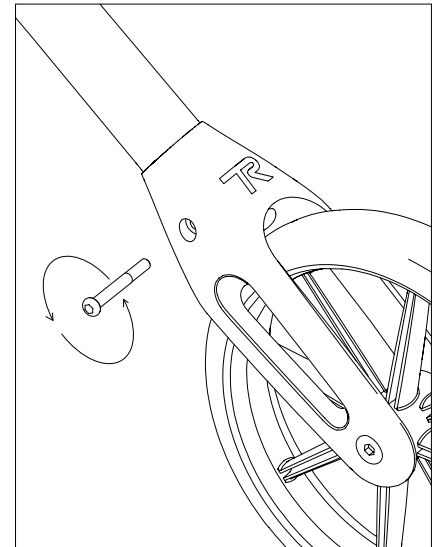
Let's Move Service Manual. Revision version No: 1 - Jan 2020



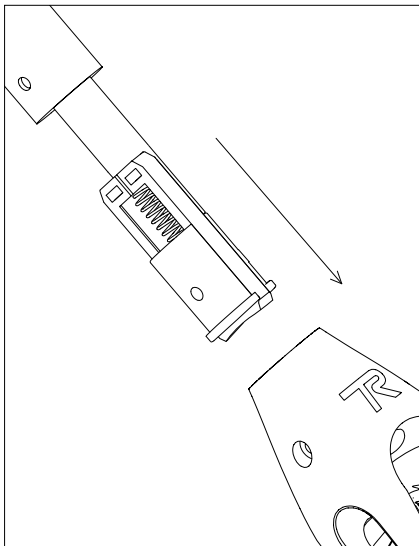
1. Put handle in lowest position.



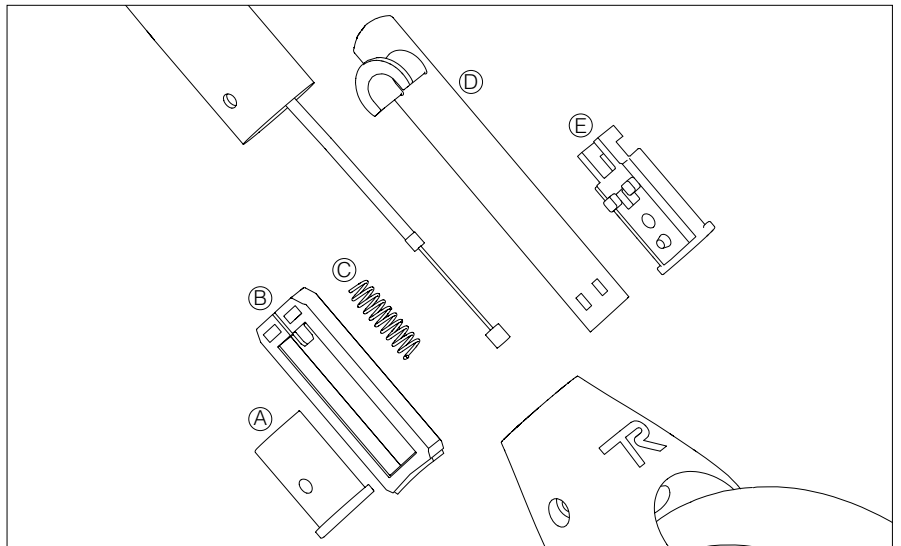
2. Remove height adjustment knob.



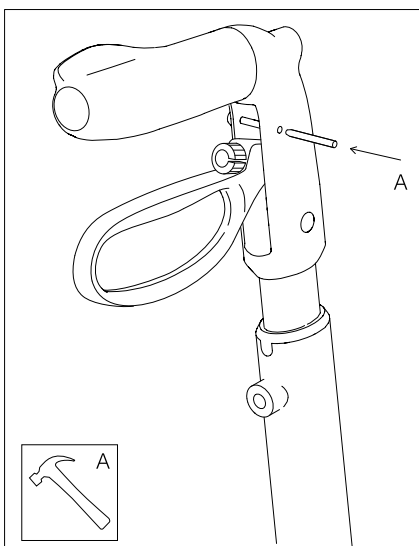
3. Unscrew the fork screw.



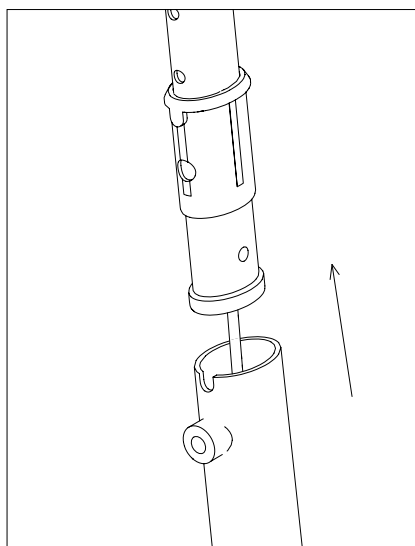
4. Pull out the brake assembly.



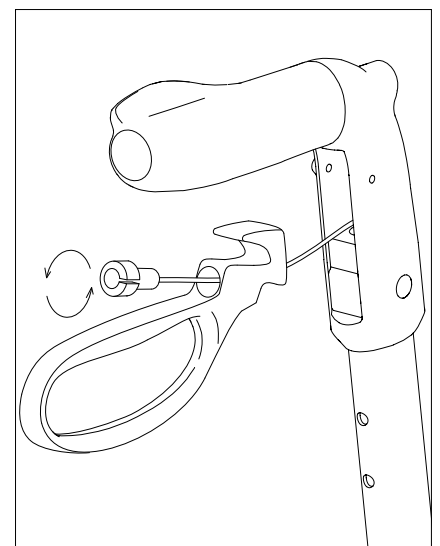
5. Disconnect the brake spring and the brake pad from the brake wire .



6. Push out the pin with a mandrel.



7. Pull out the handle.

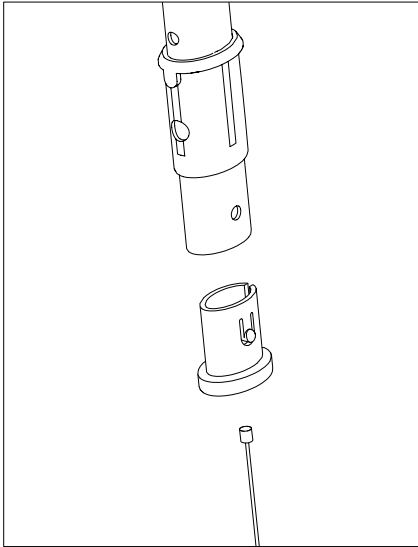


8. Remove the screw from brake handle and pull the brake wire out .

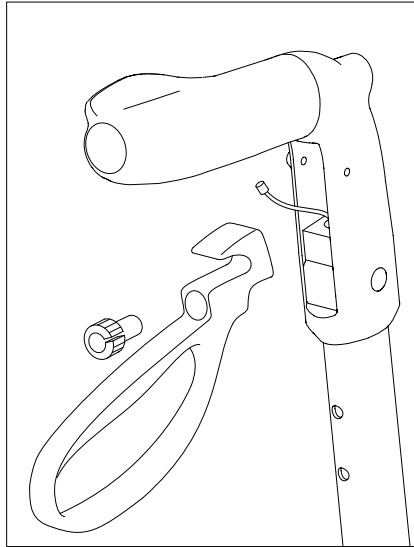
Exchange of brake wire Page 2/3.

Let's Move Spare part. Art. No. LM305

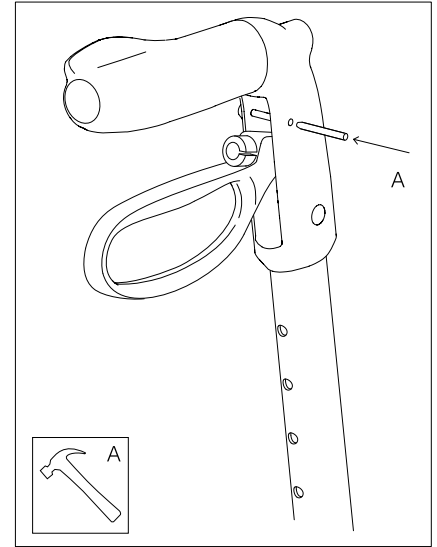
Let's Move Service Manual. Revision version No: 1 - Jan 2020



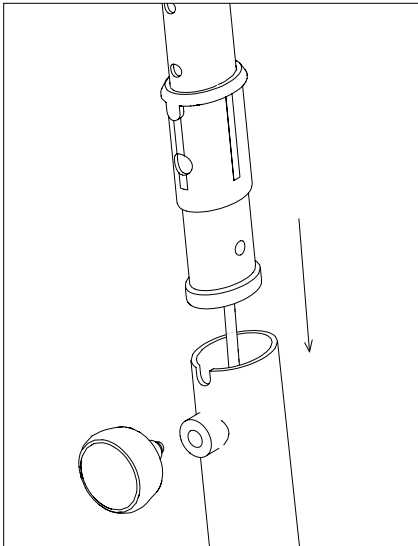
9. Remove the bottom tube stopper and replace the wire.



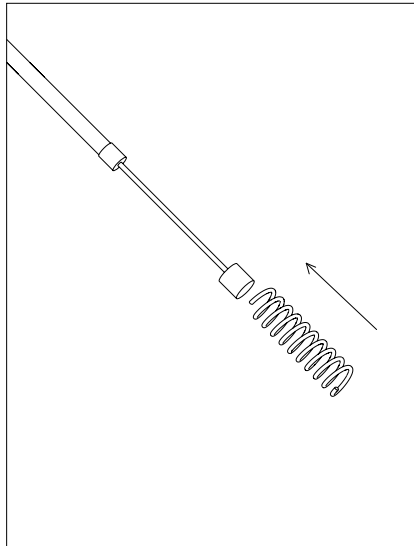
10. Attach the new wire to the brake handle.



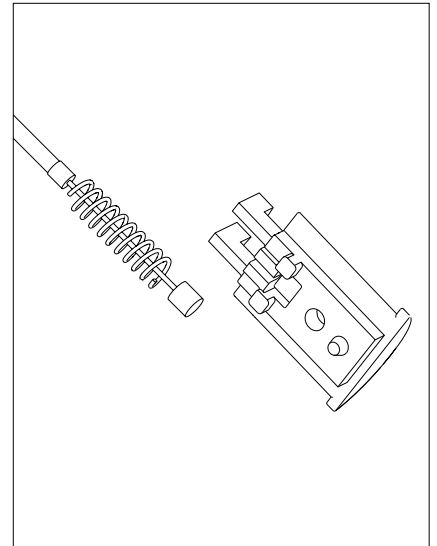
11. Secure the pin back in place.



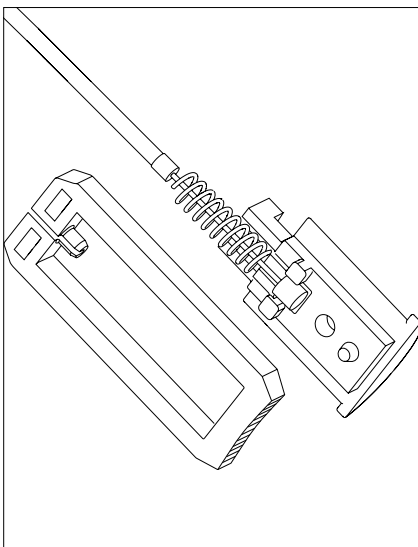
12. Put the handle assembly back in the frame.



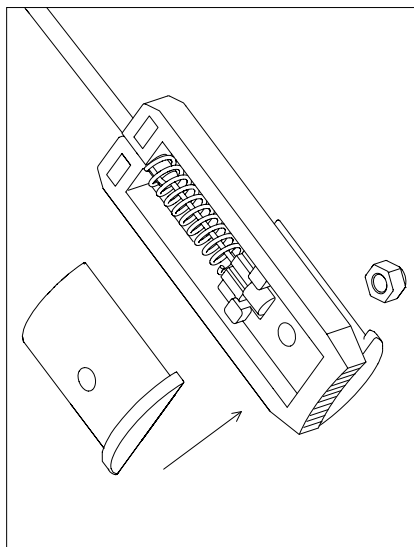
13. Attach the spring to the wire.



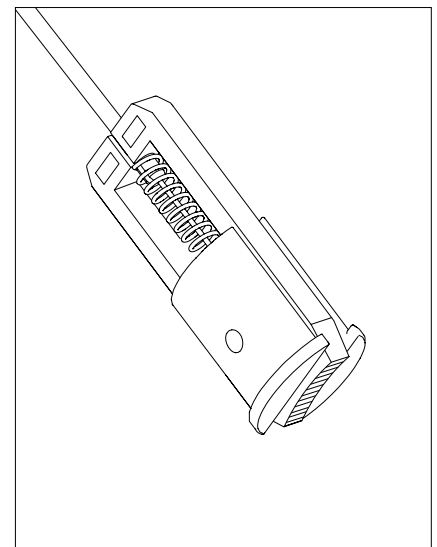
14. Attach the wire assembly to the brake fastener.



15. Attach the brake pad to the spring.



16. Put outer cover over assembly. Insert nut if necessary.

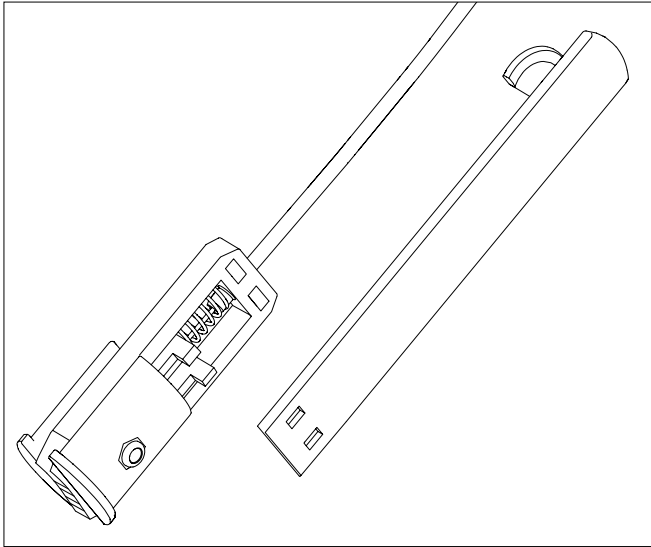


17. Check that your brake parts are assembled as above.

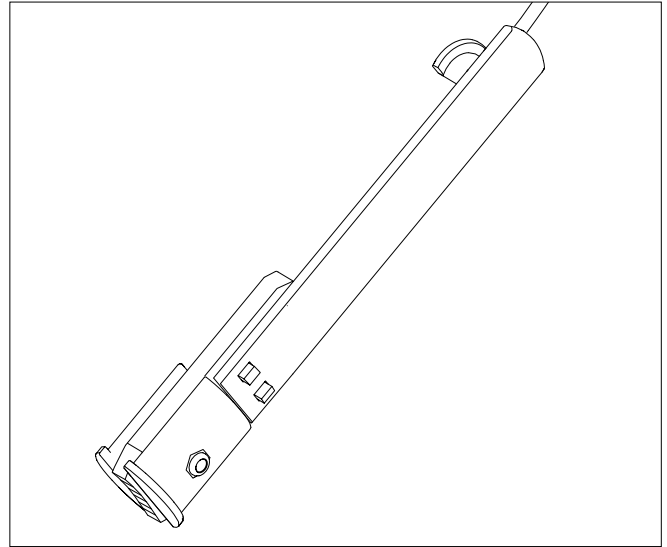
Exchange of brake wire Page 3/3.

Let's Move Spare part. Art. No. LM305

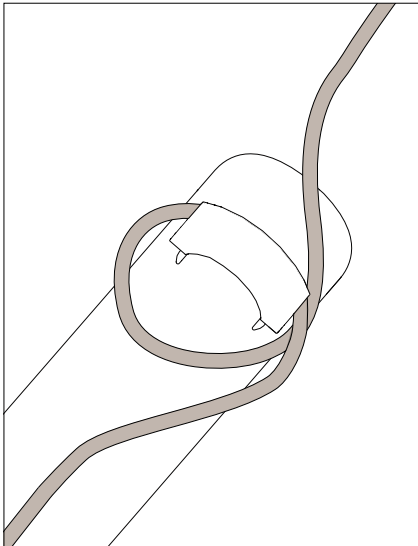
Let's Move Service Manual. Revision version No: 1 - Jan 2020



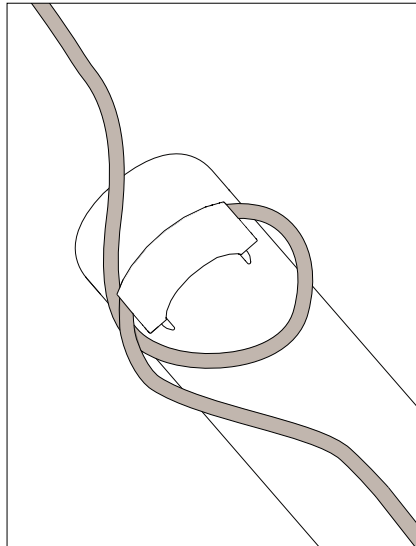
18. Attach the brake wire guide to the brake assembly.



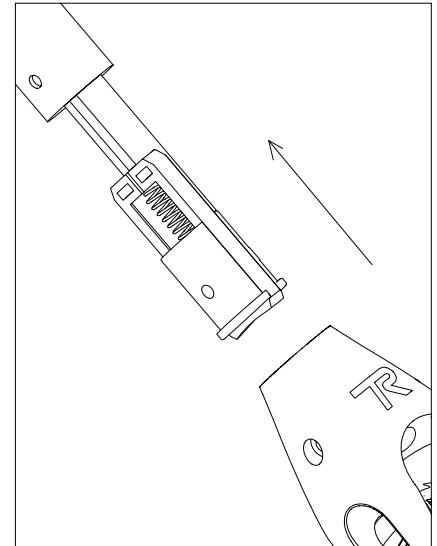
19. Check that your brake parts and brake wire guide are assembled as above.



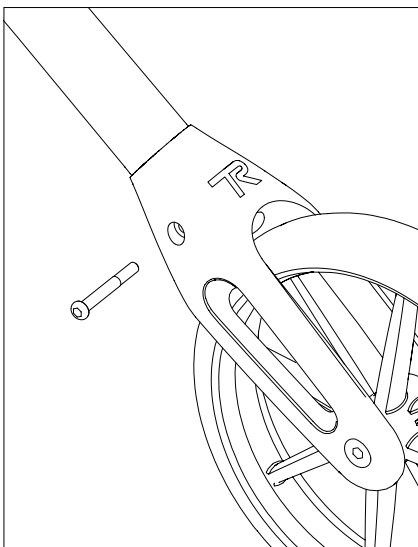
20. For Left side make a loop on the wire as above.



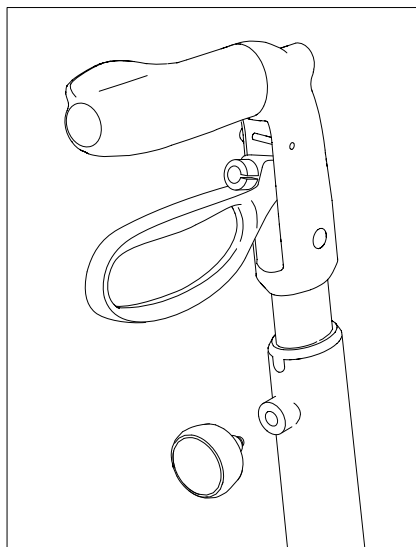
21. For Right side make a loop on the wire as above.



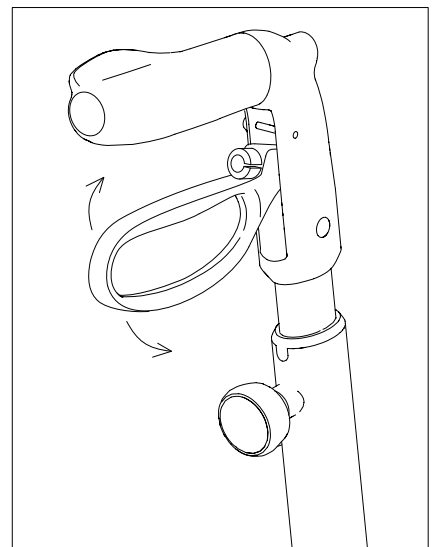
22. Push the whole assembly into the rear leg.



23. Secure with the screw.



24. Put the height adjustment knob back in the place.

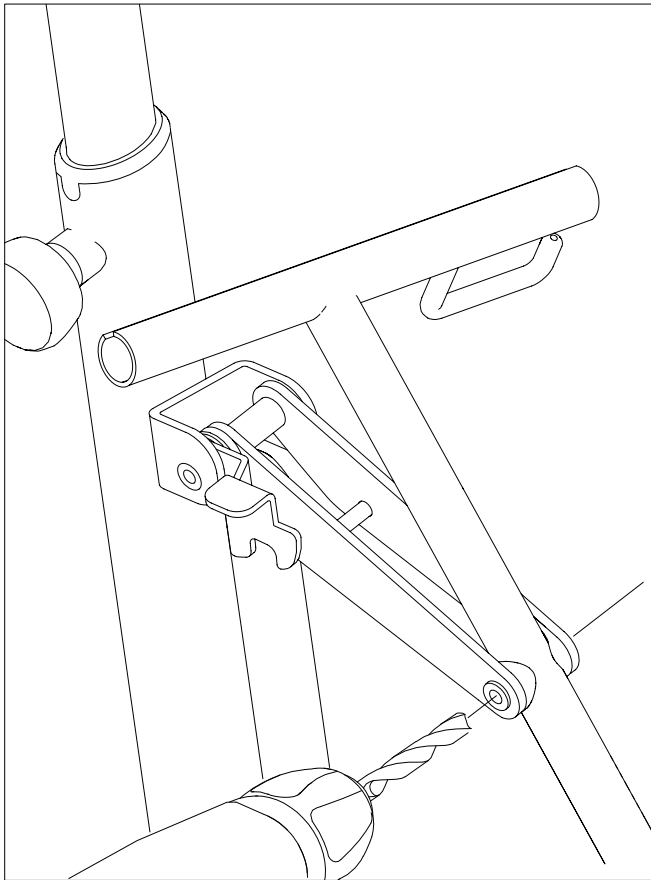


25. Check the brake function.

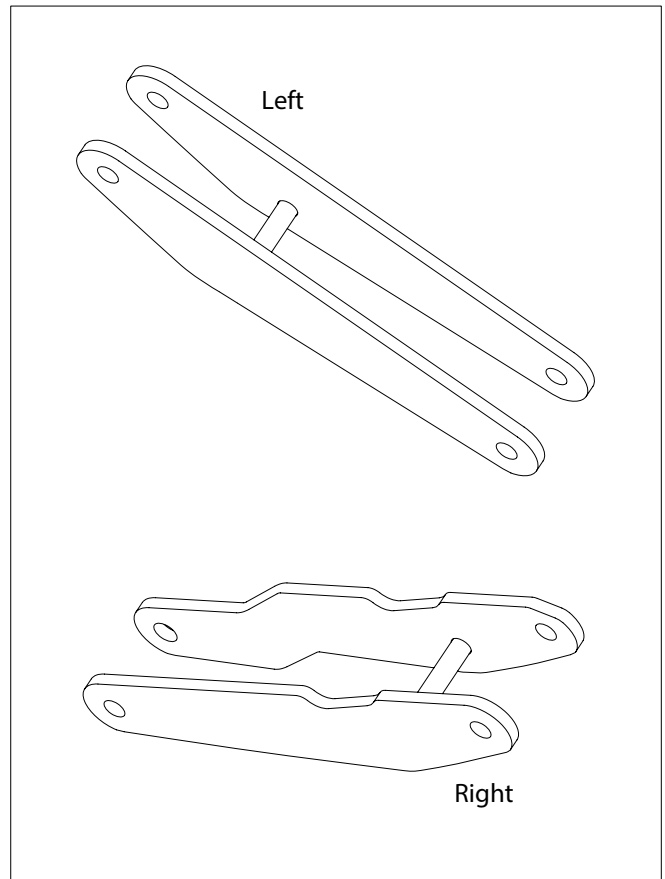
Exchange of linkage arm.

Let's Move Spare part. Art. No. LM312, LM321

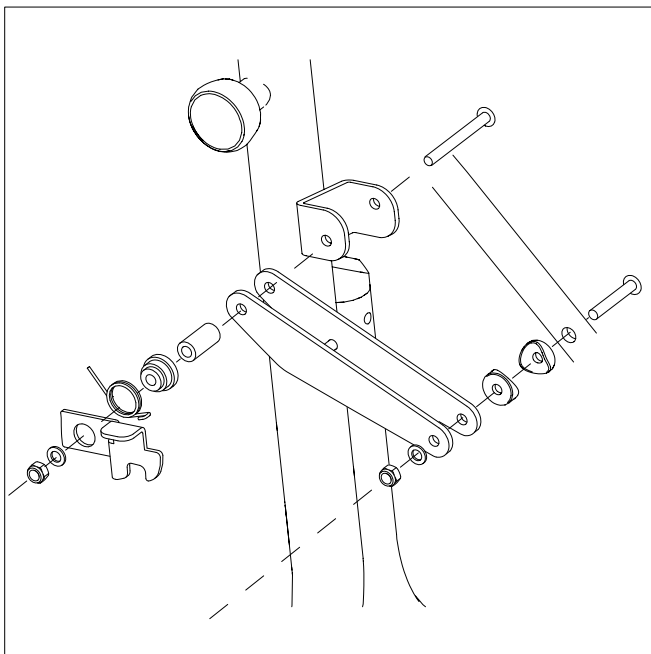
Let's Move Service Manual. Revision version No: 1 - Jan 2020



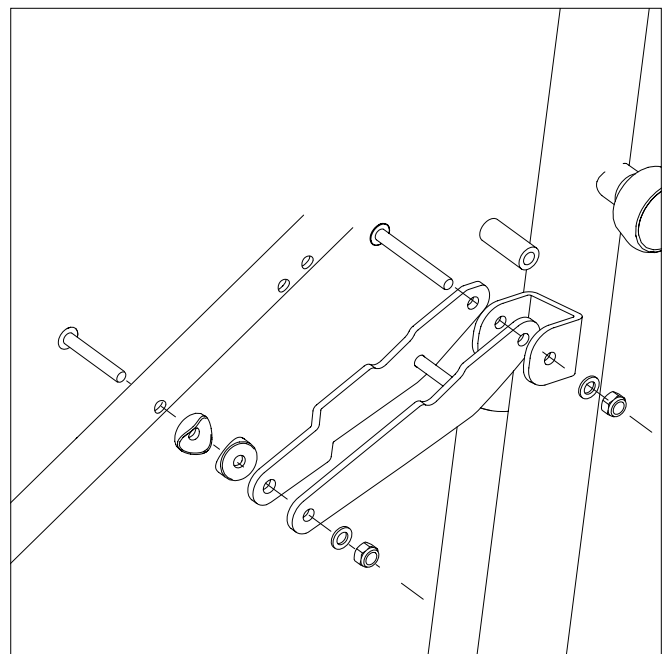
1. Drill out the rivets or unscrew the screws that hold the linkage arm to the metal frame of the rollator.



2. Above is Left and Right linkage arm.



3. Mount the new linkage arm. On the left side the hook for folding and the spring should also be mounted.

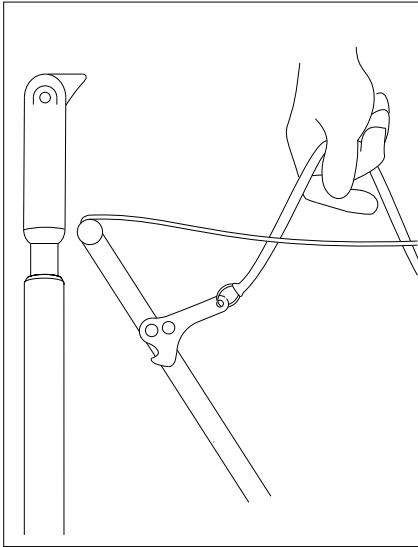


4. Mount the pars using screws, washers and nuts

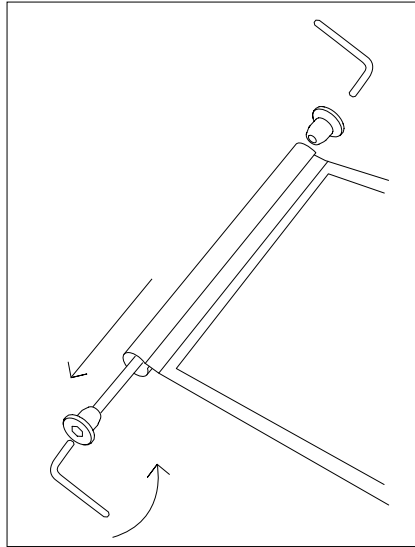
Exchange of seat and seat mounting set.

Let's Move Spare part. Art. No. LM310, LM324

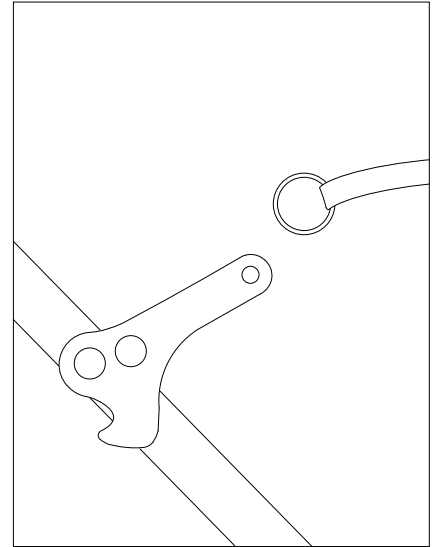
Let's Move Service Manual. Revision version No: 1 - Jan 2020



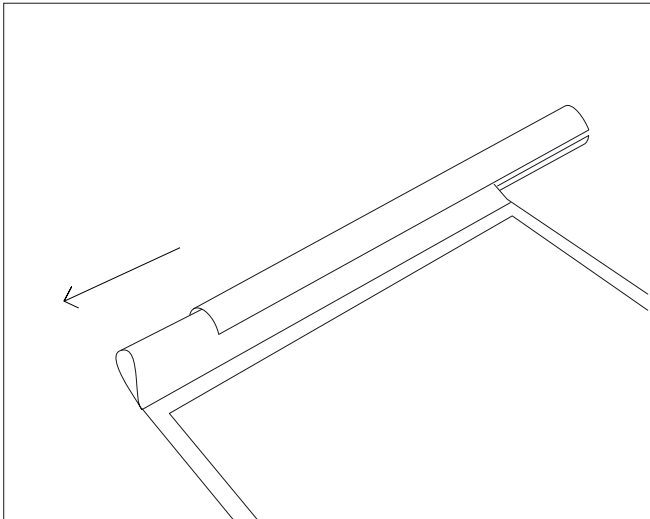
1. Unlock the rollator so that the seat is loose and not stretched.



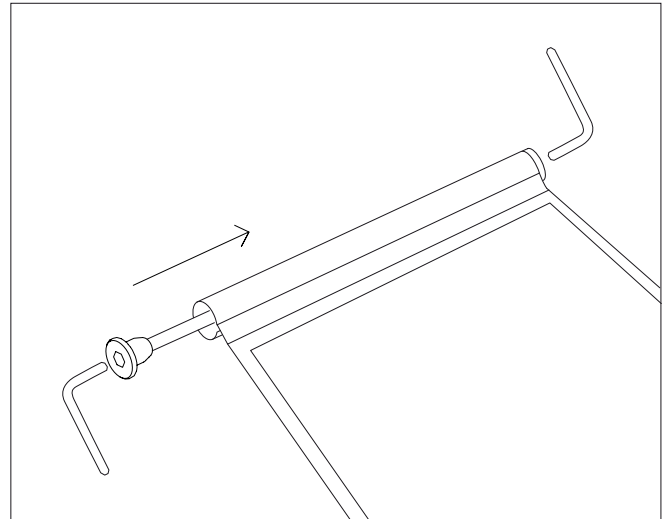
2. Screw the nuts off and pull out the seat from the metal tubes.



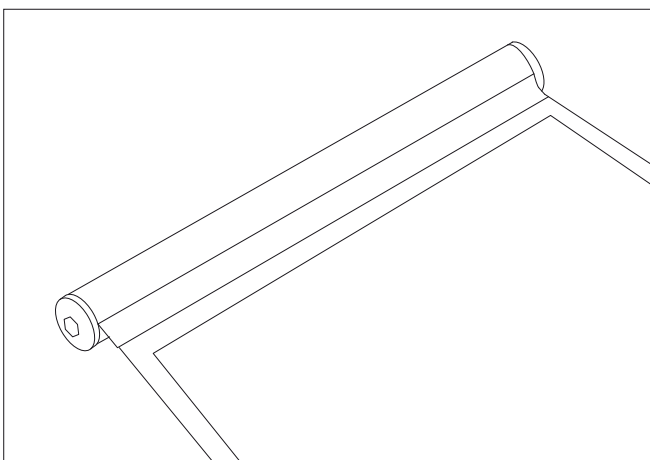
3. Remove the fabric band from the unlock hook.



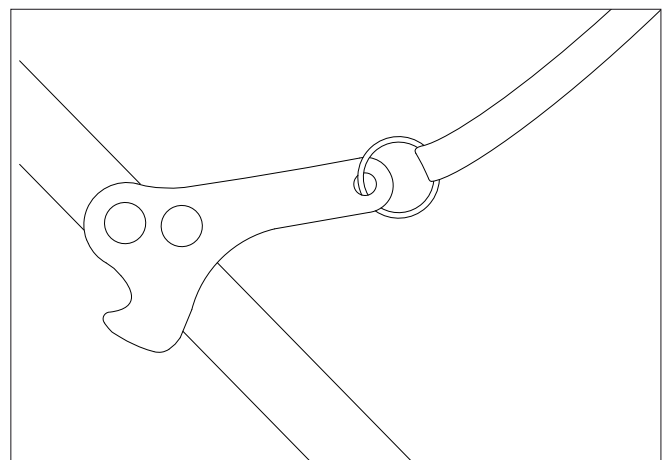
4. Pull the old seat out from the tubes and replace with a new one.



5. Secure the new seat back in place.



6. Make sure that the nuts are tighten.

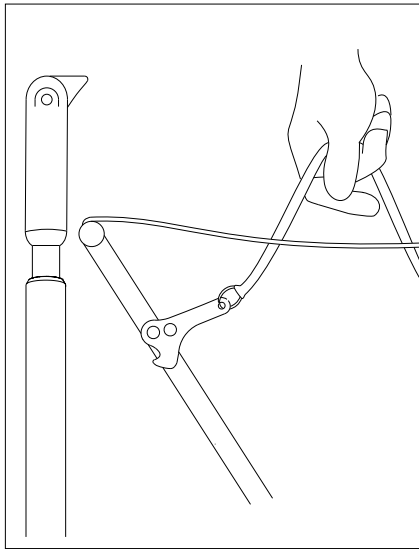


7. Attach the fabric band back to the unlock hook.

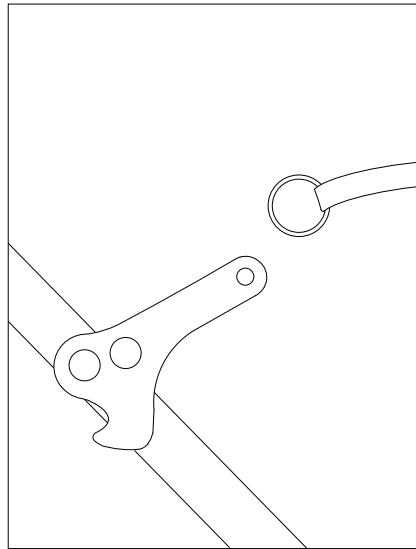
Exchange of unfold hook.

Let's Move Spare part. Art. No. LM311

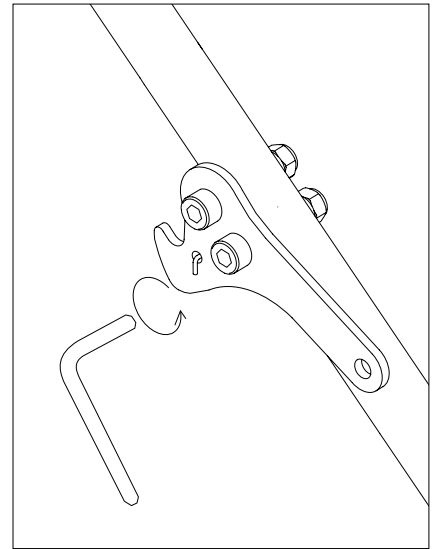
Let's Move Service Manual. Revision version No: 1 - Jan 2020



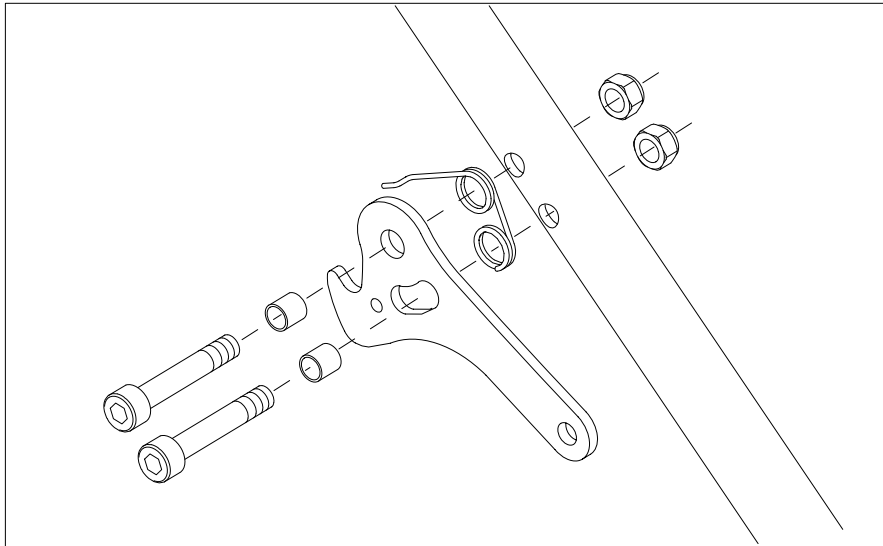
1. Unlock the rollator so that the seat is loose and not stretched.



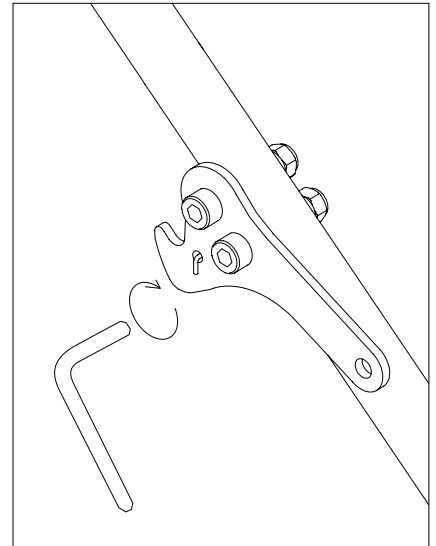
2. Remove the fabric band from the unlock hook.



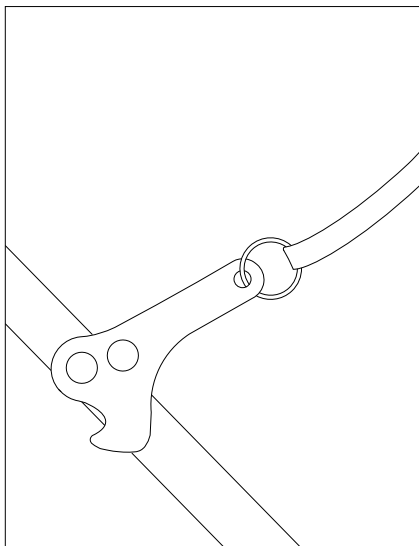
3. Unscrew the unfold hook.



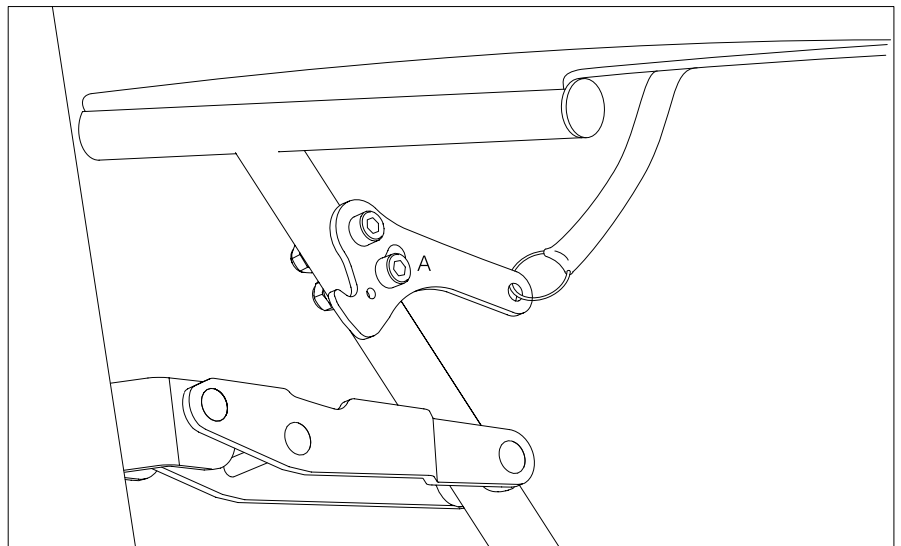
4. Replace the unfold hook as shown above.



5. Secure the unfold hook back in the place.



6. Attach the fabric band back to the unlock hook.

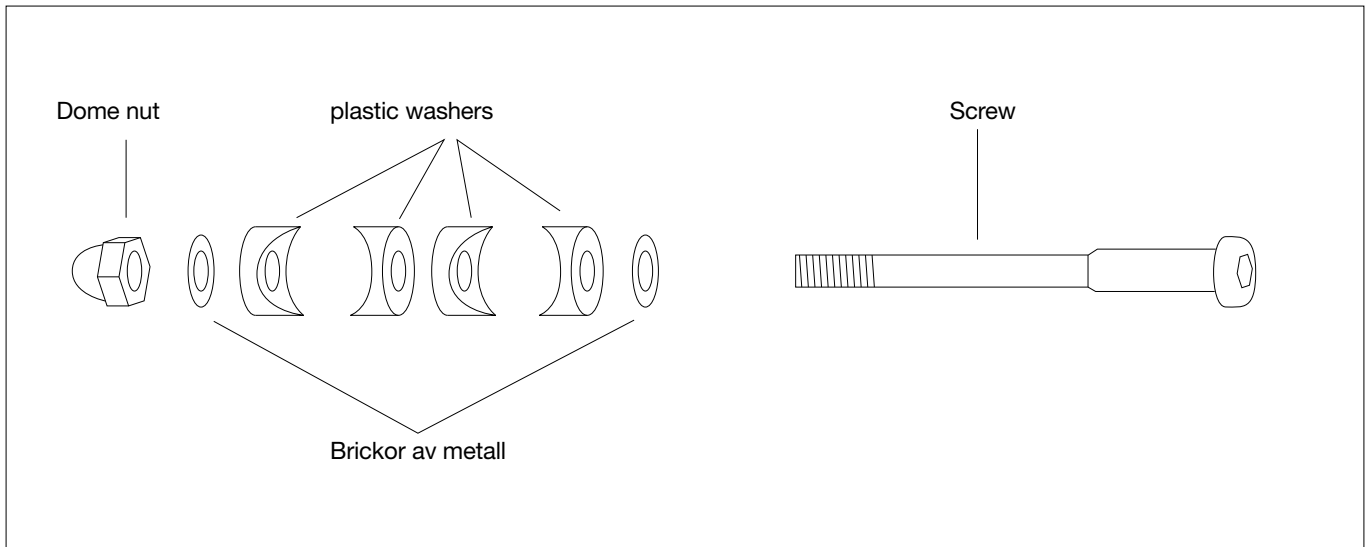


7. Make sure that the hook can move freely. If necessary adjust the A-Screw so that the hook can easily rotate.

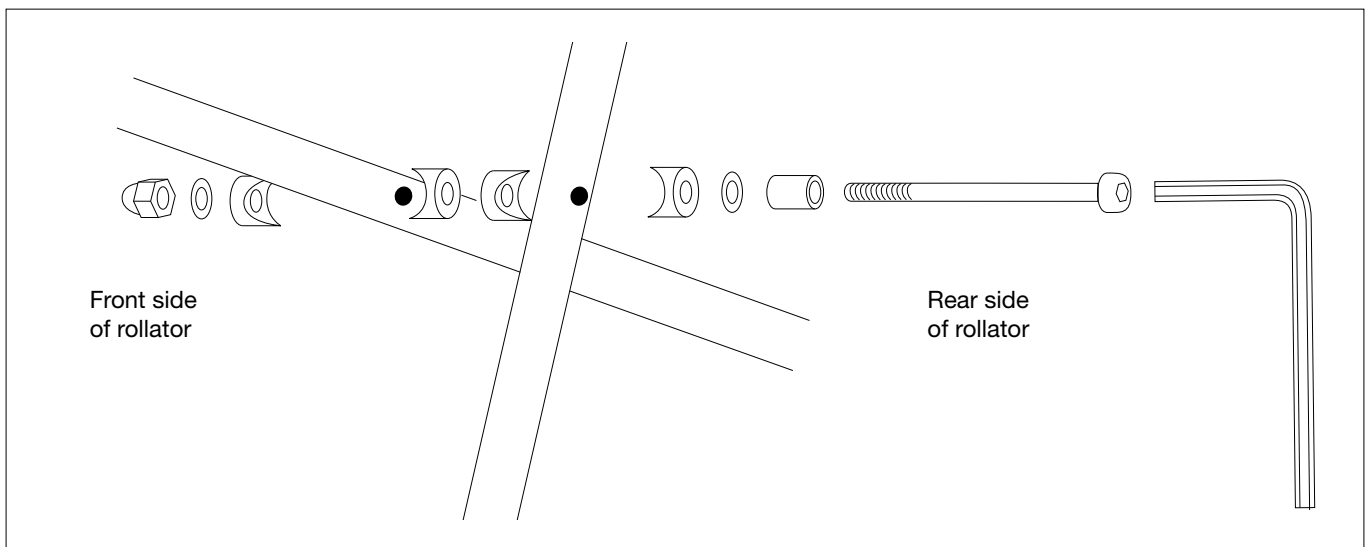
Exchange of unfold hook.

Let's Move Spare part. Art. No. 0493

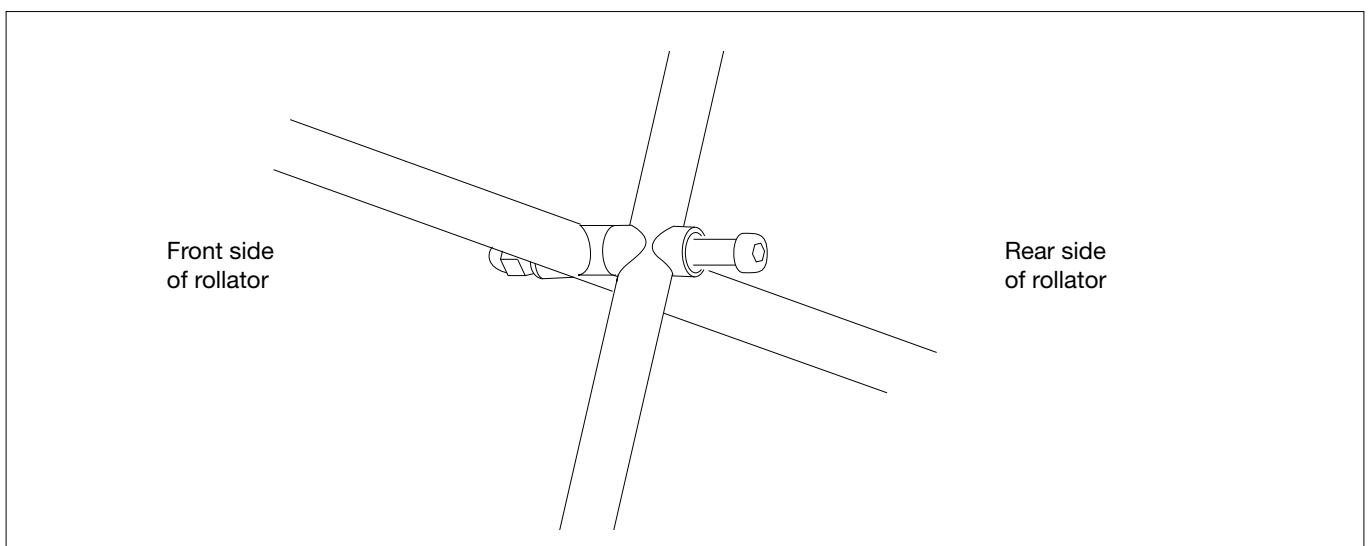
Let's Move Service Manual. Revision version No: 1 - Jan 2020



1. These are the parts of the joint and how they should be mounted together.



2. The tubes of the folding cross should be placed between the washers according to this sketch.



3. Tighten the dome nut securely. Fix the nut with a drop of Loctite so it will not fall off. The metal sleeve serves as a fixture peg for the hook when the rollator is folded.