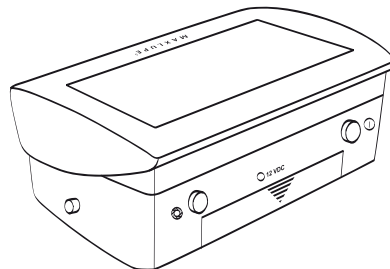


MAXLUPE⁵

**Gebrauchsanweisung
und Medizinproduktebuch**

**User manual and
medical device booklet**



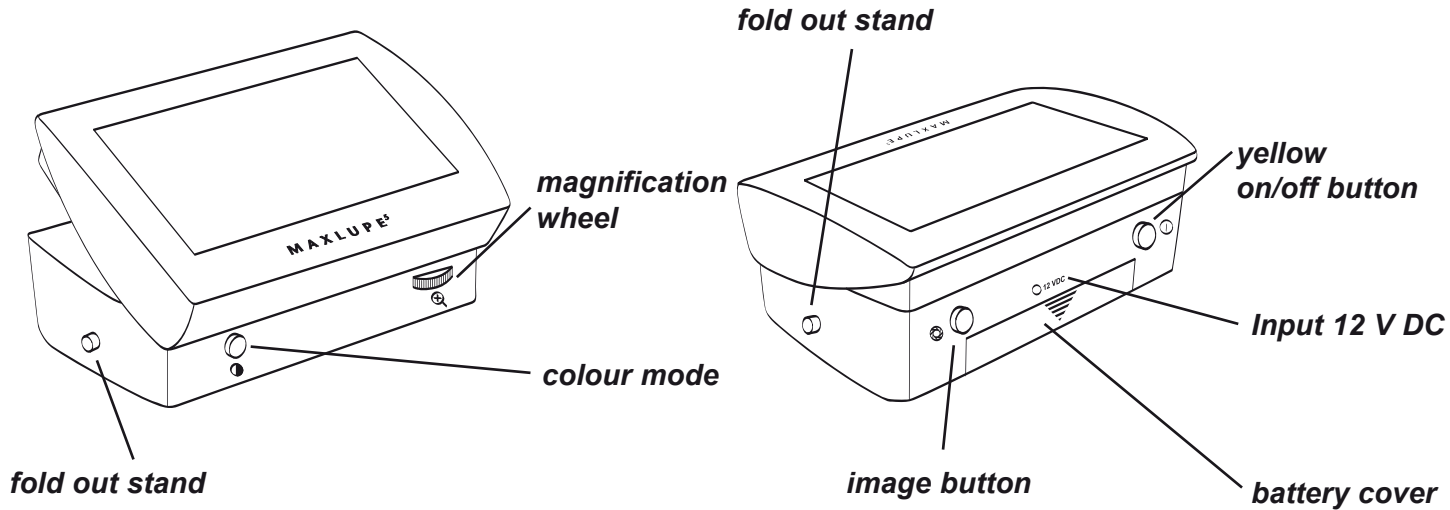
Quick guide

For initial use (see figure page 50)

- Press down on the ridges of the battery cover and slide the cover downwards
- Insert the battery into its battery compartment and close the cover
- Even if the battery is not inserted, the unit can still operate while plugged into an electrical outlet.

Operating elements

- Push the **yellow on/off button** (for 2 seconds): switch MAXLUPE⁵ on
- Push the **yellow on/off button** (for 1 second): switch MAXLUPE⁵ off
- Push the **colour button**: change colour options
- Rotate the **magnification wheel** right/left: change magnification
- Push the **image button** 2 seconds in the live mode: save an image, and change the viewing mode (switch from freeze frame to live mode)
- Push the **image button** in live mode: change in viewing mode
- Push the **image button** in viewing mode (quick): the next saved image will be shown
- Keep the **image button** pressed: scroll around the saved image
- Push the **yellow on/off button** in the viewing mode: return to the live mode
- Simultaneously push the side buttons: **stand folds out**



Contents

I. Important notes on the operation of

MAXLUPE⁵	36
1. User manual/medical device booklet	36
2. Medical product	36
3. Intended purpose of the device	36
4. Product life	37
5. Combination with other medical products	37
6. Maintenance and safety controls	37
7. Precautionary measures	37
8. Notes on the electromagnetic compatibility (EMV)	38
9. Cleaning	39
10. Advice for transport and storage	40
11. Environmental notice	40

12. Installation and connection	41
---------------------------------------	----

II. Initial use

42	42
1. Delivery/Accessories	42
2. Set up and connection	43
3. Description of the operating elements	43
3.1 Input socket 12V DC	43
3.2 Yellow on/off button	44
3.3 Magnification settings	44
3.4 Colour switching	44
3.5 Saving an image or text	45
3.6 Changing to Live picture	45
3.7 Retrieving saved pictures	45
4. Picture scroll-function	46
5. Standby-Function	46
6. Automatic switch-off	47
7. Saving the setting	47

8. Adjustable display	47	12.6 Important note for using battery	55
9. Operation of MAXLUPE ⁵	48	12.7 Disposal of the battery.....	55
9.1 Operation with the power supply.....	48	13. Notes for handling MAXLUPE ⁵	56
9.2 Note for changing the power adapter.....	49	14. Technical data	57
10. Battery operation	50	15. Warranty Information.....	58
11. Handling reading	51	16. Declaration of Conformity.....	59
11.1 Collapsible stand	51		
11.2 Extended stand.....	51		
11.3 Writing.....	52		
11.4 Closing the stand.....	52		
12. Handling of the battery	52		
12.1 Recharging the battery	53		
12.2 Battery display	53		
12.3 Display of the battery flashes	53		
12.4 Notes for changing the battery	54		
12.5 Changing the battery	54		

I. Important notes on the operation of MAXLUPE⁵

Please read this information before use!

1. User manual/medical device booklet

The user manual/Medical device booklet is a very important document and therefore has to be looked after. When returning the system the booklet has to be included.

2. Medical product

MAXLUPE⁵ is a medicine product of class I, according to the standard 93/42 EWG. When operating this medical device in other than the European Member States, the local rules and regulations are to be considered.

3. Intended purpose of the device

MAXLUPE⁵ is an opto-electronic reading device which assists visually impaired people. Through its magnification MAXLUPE⁵ makes it possible for visually impaired people to read printed text, as well as view pictures and photos.

4. Product life

Seven years from the date of production (assuming that recommended maintenance work is carried out).

5. Combination with other medical products

If the operator or user of this opto-electronic reading device intends to run this unit together with other medical devices, the written permission of Reinecker Reha-Technik GmbH is required.

6. Maintenance and safety controls

We refer to the user regulations for medical products, which is documented in the Medical device booklet MedBetreibV, page 29. (only valid within Germany)

7. Precautionary measures

If technical problems do occur, the unit has to be switched off immediately and the power plug disconnected. Never use the unit in this condition! Refer directly to your dealer or to Reinecker Reha-Technik GmbH.

8. Notes on the electromagnetic compatibility (EMV)

MAXLUPE⁵ is suited for use in all set-ups, including the home, that are connected directly to a public power supply, that powers buildings for residential purposes.

MAXLUPE⁵ is designed for use in the indicated electromagnetic environment. The customer or user should ensure the use in the indicated environment.

MAXLUPE⁵ operates on high frequency energy exclusively for its own function. Therefore the emitted interference of high frequency disturbances is very low and the possibility of disturbing other appliances, operated close-by, is improbable.

When operating the system simultaneously with other systems however, the possibility of disturbances of the system or other systems should not be neglected. For this reason it should be ensured that the system is not placed directly beside or on top of another system.

If the set-up of MAXLUPE⁵ in the proximity of medical, analogical measuring devices cannot be avoided, the operator of these devices has to be informed that it is necessary to observe the performance of the system, to control the conventional use of the system in the chosen set-up.

Electronic devices are sensitive to electrical discharge and to high frequency electromagnetic fields.

Note:

In order to avoid high frequency disturbances the operator should respect a minimum distance of one meter to portable and mobile high frequency telecommunication devices.

9. Cleaning

- the MAXLUPE⁵ has to be disconnected from the power supply before cleaning
- for cleaning please use the microfibre cloth which is included or a lint free, damp cloth
- no liquids must reach the interior of the system whilst cleaning
- the system should be cleaned at 6-months intervals

10. Advice for transport and storage

The following conditions for transport and storage have to be respected:

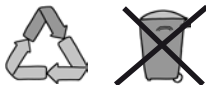
- temperature range -10°C to + 50°C | 14°F to 120°F
- relative humidity 30% to 80%
- air pressure 700-1060 hPa

Packaging

Please keep the original packaging in case the system has to be shipped.

11. Environmental notice

The system contains electronic components. In order to avoid risks or dangers for the environment through non-professional disposal, the disposal of the product, including all accessories, has to correspond to the valid directives.



12. Installation and connection

- MAXLUPE⁵ is designed exclusively for use in closed and dry rooms
- no liquids must reach the interior of the system
- to avoid overheating of the MAXLUPE⁵ be sure that no objects are placed on top of the system
- the system should never be exposed to direct sunlight
- the display has to be protected against scratches and any kind of impact
- never open the system

II. Initial use

1. Delivery/Accessories

MAXLUPE⁵ will be delivered in a carrier bag.

The following accessories are included:

- power supply with 4 country-specific primary adapters
- handle and shoulder strap
- user manual in German and English
- microfibre cloth for cleaning the display
- rechargeable battery for mobile use

Carrying case

MAXLUPE⁵ comes with a carrying case. It has a handle and shoulder strap. The integrated spring lock provides a smooth opening and closing of the carrying case.

2. Set up and connection

Please notice the following information for proper use:

- only use the enclosed power supply
- connect the enclosed country-specific primary adapters with the power supply
- place the power cord in a position where nobody can stumble over it
- operate the MAXLUPE⁵ on a stable and even surface
- avoid reflection on the screen as a result of direct sunlight or overhead lighting
- the manufacturer is not liable for malfunctions or damages caused by inappropriate usage

3. Description of the operating elements (see figure page 33)

3.1 Input socket 12V DC

Input socket for power supply unit.

3.2 Yellow on/off button



The on/off button is unmistakably marked in yellow. When you push the button for 2 seconds, MAXLUPE⁵ will be switched on. To turn off MAXLUPE⁵, push the yellow button for 1 second.

3.3 Magnification settings



By turning the magnification wheel to the left or right, the images on the screen will increase or decrease.

3.4 Colour switching



By pushing the colour switching button the following colours will be shown on the display:

- full colour
- semi-colours
- positive mode: black-white
- negative mode: white-black, green-black, yellow-black, yellow-blue

3.5 Saving an image or text



By pushing the image button for 2 seconds, you may save the image currently seen on the display. MAXLUPE⁵ changes into the viewing mode and the currently saved image will be shown. !Please note! You may save up to 3 pictures. If 3 pictures are saved and you take another one, the first one will be deleted.

3.6 Changing to live picture

By pushing the on/off button in the saved picture mode, you will switch back to live viewing mode.

3.7 Retrieving saved pictures

By pushing the image button, you will retrieve the saved pictures. Pushing the button multiple times will advance to subsequent images.

4. Picture scroll-function

This function enables you to read or look at saved images which cannot be shown completely on the display after having been enlarged. This may be used for telephone numbers, email addresses, schedules, package inserts etc.

Proceeding:

Choose a saved image. If the image is too small, use the zoom button to increase the magnification and enlarge the image. If the image now extends beyond the screen, press and hold the image button. Move MAXLUPE⁵ across any smooth surface in the direction of your choice (to the left, right, up and downwards). Now the “hidden” text will be shown on the display screen according to your movement.

5. Standby-Function

If MAXLUPE⁵ is left idle for approx. 2 minutes of no use, the device switches automatically to standby mode. Simply moving the device turns it on again.

6. Automatic switch-off

If MAXLUPE⁵ remains in the standby mode for more than approx. 5 minutes, the unit will shut off completely. MAXLUPE⁵ will then have to be switched on by means of the main on/off button.

7. Saving the setting

Upon turning off the device, MAXLUPE⁵ will save all data and settings. They will be activated as soon as you switch the device back on.

8. Adjustable display

The advantages of an adjustable display is that it enables you an ergonomic seating position. An optimized viewing angle improves the contrast and brightness on the display and reduces fatigue.

9. Operation of MAXLUPE⁵

Take the MAXLUPE⁵, battery, power supply and the 4 country-specific primary adapters from the carrying case. MAXLUPE⁵ can be operated either plugged into an electrical outlet or using the internal battery.

9.1 Operation with the power supply

To connect the system to the public power supply (100-240 VAC 50/60Hz) 4 adapters for Europe, England, Austria and the US are included. The US adapter also allows connection in many other countries. When connecting the country-specific primary adapter, the power supply must not be plugged into any electrical outlet.

- connect the DC-plug of the power supply unit to the DC-socket at the rear of MAXLUPE⁵
- connect the power supply unit to a state-of-the-art wall socket
- place MAXLUPE⁵ on the document of your choice: a book, a magazine or a leaflet
- switch on MAXLUPE⁵ with the yellow on/off button
- with the controls, magnification and colour selection, you have the option to adjust the image according to your individual needs
- the rollers on the underside of MAXLUPE⁵ facilitates easy sliding on the document

Please note when MAXLUPE⁵ is in use with the power supply:

Even after switching off the unit, the battery is still charging and the unit is drawing electrical power. To completely disconnect the MAXLUPE⁵ from the electrical supply, the power supply has to be unplugged from MAXLUPE⁵

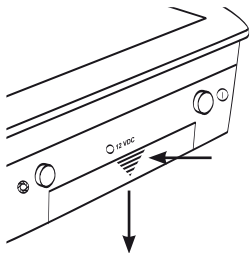
9.2 Note for changing the power adapter

Only an original power adapter, tested according to EN 60601-1 from Reinecker Reha-Technik GmbH, can be used as a replacement.
Model-No. (battery type): UE15WCP1-120125SPA

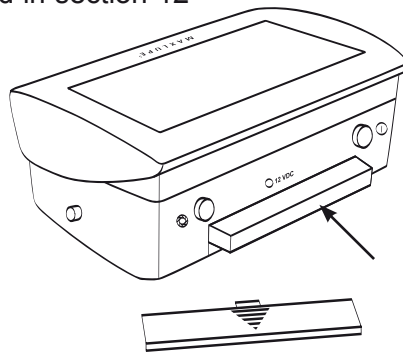


10. Battery operation

- do not plug MAXLUPE⁵ into an electrical outlet
- battery is fully charged when delivered
- hold down the ridges of the battery cover and slide the cover downwards
- insert the battery into its battery compartment and close the cover
- operation time with a fully charged battery: approx. 2 hours
- instructions about handling the battery can be found in section 12



Open the battery cover



Insert the battery

11. Handling reading

MAXLUPE⁵ has two possible reading positions:

- stand collapsed
- stand extended

11.1 Collapsible stand

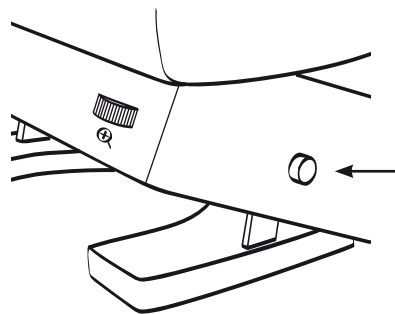
When using MAXLUPE⁵ with the writing stand collapsed, place the system on the reading material and switch it on. The magnification in this position is approx. x6.5 - x25.

11.2 Extended stand

Slightly lift up MAXLUPE⁵ and simultaneously push both buttons on the left and right side. The stand flips out automatically and locks itself in the folded out position.

Bend the display to adjust the optimal viewing angle.

The magnification in this application is approx. x3 - x7.



11.3 Writing

With the stand extended, or opened, you are able to write short notes or sign any kind of documents.

11.4 Closing the stand

When you want to collapse the stand, simultaneously push both side buttons. The weight of the MAX-LUPE⁵ is now pushing the stand into its original position. Help guide the unit down with your hands. When the stand is closed, release both buttons. Adjust the display to find the optimal viewing angle.

12. Handling of the battery

Note:

After installing a new battery, be sure to fully charge and fully drain the battery 2 to 3 times in order for it to reach its full efficiency. The battery has to be handled with great care. The lifespan and productive efficiency depends on it.

12.1 Recharging the battery

- switch off MAXLUPE⁵
- connect the power supply to MAXLUPE⁵
- the battery will start charging
- charging time is approximately 3.5 hours

12.2 Battery display

Upon turning MAXLUPE⁵ on, you will see the symbol of the battery with the current charge level:

- | | | |
|-------------------|---|-------------------------------|
| charge level 100% | – | battery is completely charged |
| charge level 50% | – | battery is half charged |
| symbol flashes | – | battery needs to be charged |

12.3 Display of the battery flashes

If the battery icon flashes, the battery needs to be charged immediately. If you do not begin charging immediately, MAXLUPE⁵ will shut itself down.

12.4 Notes for changing the battery

You may only use the battery specified for MAXLUPE⁵. A replacement can only be purchased from Reinecker Reha-Technik GmbH or from one of its contractual partners.

Battery- type: LCP884780 3,7V 3300mAh

12.5 Changing the battery

- switch off MAXLUPE⁵
- unplug the power supply from MAXLUPE⁵. Push down on the ridges of the battery cover and slide the cover downwards.
- the battery can now be taken out with the strap attached to the battery compartment.
- insert and press down the original battery, with print showing on top, into the battery compartment
- insert the battery cover into the guide slot until it clicks into place and then push up.

12.6 Important note for using battery

You may only use the battery specified for MAXLUPE⁵.

The usage of batteries other than the one provided is specifically prohibited, as this may cause severe damage to the device.

The MAXLUPE⁵ warranty is voided if any other battery is used.

Reinecker Reha-Technik is not liable for damage caused by improper or faulty batteries as well as inappropriate operation when using the battery, be it damage to property or persons.

12.7 Disposal of the battery

- batteries must be disposed according to the laws of the specific countries
- do not expose the battery to direct sunlight
- do not burn the battery
- to charge the battery only use the enclosed power supply
- do not allow animals or children to play with the battery
- Protective circuit of the batteries: Despite the protective circuit applied at the battery, it is prohibited to short-circuit the contacts of the battery with a metallic item. This may cause the battery to explode, creating potential danger for anyone nearby.

13. Notes for handling MAXLUPE⁵

!Please note!

- the pictures used in this manual only serve illustrative purposes and may not be in accordance with the actual positions
- content changes of this manual are subject to change without advance notice
- do not expose MAXLUPE⁵ to extreme direct sunlight. For instance, do not store it close to windows or heaters
- protect MAXLUPE⁵ from excessive heat and do not place other objects on top of it
- keep all liquids away from it and use MAXLUPE⁵ only in dry surroundings
- never open the case, as this may only be done by an authorized speciality retailer
- operate MAXLUPE⁵ only with the indicated supply voltage
- protect MAXLUPE⁵ from mechanical damage which may be caused by stroke, blow or fall
- do not expose MAXLUPE⁵ to magnetic fields
- do not alter MAXLUPE⁵ in any way
- send MAXLUPE⁵ only in its original packaging
- never use MAXLUPE⁵ with wet hands

14. Technical data

- magnification: collapsible stand: approx. x6.5 - x25*
- magnification: fold out stand: approx. x3 - x7*
- weight with battery: 730 g / 25,75 oz
- dimensions of the housing: 162 x 109 x 68 mm / 6.4 x 4.3 x 2.7 inch
- diameter TFT-LCD-display: 5.8", aspect ratio: 16:9, active surface: 125 x 69 mm
- electric power supply: 100-240 VAC 50/60 Hz secondary; 12 VDC 1,25 A
(in conjunction with a power supply)
- power consumption: maximal 10 watt
- LiPo battery 3,7 V 3300 mAh, Type: LCP884780
- battery charging time: approx. 3.5 hours
- battery operating time: approx. 2 hours

*possible tolerances up to $\pm 20\%$

15. Warranty Information (Valid only within the European Union)

- 1) Reinecker Reha-Technik GmbH grants a warranty of 24 months against defects in manufacture counted from date of invoice ex Reinecker Reha-Technik GmbH.
- 2) All parts that have been replaced when repairing the unit will automatically become property of Reinecker Reha-Technik GmbH.
- 3) Damage caused by improper use or by non-compliance with the operating instructions will result in the invalidation of the warranty.
- 4) Interventions from persons other than Reinecker Reha-Technik GmbH authorised specialists may lead to invalidity of warranty.
- 5) Not included in this warranty are lamps, batteries, mirror, glass, bulbs and other parts subject to wear and tear.
- 6) If a warranty claim is necessary, the system has to be returned to the manufacturer in Alsbach-Hähnlein or to your authorised dealer. The manufacturer does not carry the cost for transport, packaging and insurance.

Outside of the European Union the legal requirements apply.

16. Declaration of Conformity

We declare under our sole responsibility that the product

MAXLUPE V5.0

corresponds to the rules of the following directives:

**Council directive 93/42/EEC
of 14th June 1993 concerning medical devices
Class I / Annexe VII**

The CE mark on the system points out this accordance.

Alsbach-Hähnlein, 31.03.2010

Place and date of issue



M. Reinecker General Manager

Name and signature of the authorized person

Zentrale Deutschland und Export Reinecker Reha-Technik GmbH

Vertrieb, Kundenberatung:

Sandwiesenstraße 19
64665 Alsbach-Hähnlein

Kundendienst:

Am Eichwald 14
64665 Alsbach-Hähnlein

Tel.: 0 18 05-54 56 65* • Fax: 0 62 57-25 61 *Festnetzpreis 14 ct/min, Mobilfunkpreis max. 42 ct/min.

Email: info@reineckerreha.de • www.reineckerreha.de

International Contact Reinecker Reha-Technik GmbH

sales department, customer relations:

Sandwiesenstraße 19
DE-64665 Alsbach-Hähnlein

customer service:

Am Eichwald 14
DE-64665 Alsbach-Hähnlein

Tel.: +49 62 57-93 11-0 • Fax: +49 62 57-25 61

Email: info@reineckerreha.com • www.reineckerreha.com

Version 1.1, Stand 02/11, Art.-Nr.: 000 10 251
Änderungen und Druckfehler vorbehalten. Subject to alterations.

Bitte wenden Sie sich bei Fragen oder einem Servicefall direkt an unsere Zentrale oder Ihren autorisierten Fachhändler.

In case service is necessary, please contact your authorized distributor.

