

iQ™

MAGNIFIER



The iQ magnifier has a large and lightweight acrylic lens offering a large field of view. The magnifying head moves freely and holds any position - maximising horizontal and vertical movements. The heavy-duty internally sprung arm provides good horizontal reach and will stay in place. A 12 dioptres (4.0X) magnification lens mounted on a swing arm is also included. Lateral protections help you keep it clean. The magnifier is fitted with a removable lens protector.



LIGHT QUALITY



ERGONOMICS



DESIGN

daylightcompany.com



daylight

when light matters

LED 6,000K daylight

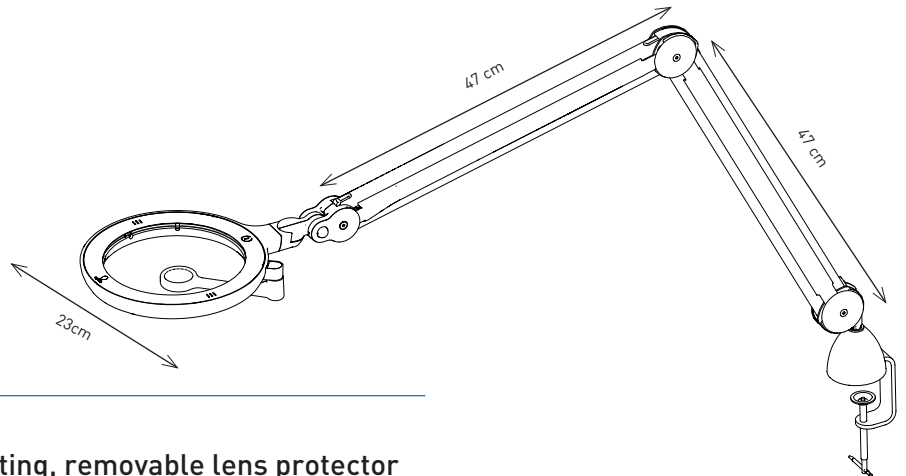
6,300 Lux at 15cm

4 brightness levels

IQ™

E25100

MAGNIFIER



FEATURES

- Acrylic lens with anti-scratch coating, removable lens protector
- 3 dioptres (1.75X) with 12 dioptres (4.0X) swing arm lens
- 4 brightness levels
- Long reach 118cm
- Covered arms with internal springs

SPECIFICATIONS

Product information

Weight	3.6kg
Colour	Grey/White
Cable length	2m

Light output

Light source	LED
Lumens	814lm
Lux at 15 cm (6")	6,300
Colour temperature	6,000K
CRI	80+
Energy consumption	12W

Packaging information

Height	62cm
Width	53cm
Depth	10.5cm
Packed weight	4.9kg
Products per master carton	2