



User Manual

Bathtub Elysée *Indra*



Elysee Concept SàRL

ZI Sicler - rue de Drinklange 16/2B
L-9911 Troisvierges

Tél. 00352/27.80.64.44
Fax 00352/27.80.64.52

info@elyseeconcept.com
www.elyseeconcept.com

Table of contents

Preface

Operating precautions

Table of contents

1. General arrangement drawing

2. Dimensions

3. Options et accessories

4. Technical specifications

DESCRIPTIF
COMPLIANCE
SAFETY INSTRUCTIONS AND WARNINGS
COMMISSIONING AND INSTRUCTIONS FOR USE

5. Operating instructions

5.1. Pushbutton switch hi/low frame

5.1.1. Rising up the lift table

5.1.2. Moving down the lift table

5.2. Bath setup

5.2.1. Locking of draining trap

5.2.2. Filling of the tub

5.2.3. Positioning of the patient in the bathtub

5.3. Draining of bathtub

6. Working position

7. Maintenance instructions

8. User manual (to be displayed next to the bathtub)

9. Technical settings instruction

10. Recommendation

11. Connection plans



Preface

Thank you for trusting and choosing the products Elysee Concept.

Before using your bathtub, please read entirely this manual. The information contained in this manual is essential to the proper operation and maintenance of the equipment. It will help you to best protect your investment and guarantee you a perfect operation of your equipment. Some information contained in this manual also concerns your safety, they must be read entirely and fully understood in order to avoid any risk of injury.

If the product has not been used in accordance with the instructions in this manual, Elysée Concept will not be responsible for any problems.

For further information, please contact the Elysée Concept Sàrl offices. (First page of this document).



Meaning: safety warning. In the event of non-compliance with this directive, the user or operator expose himself to a risk of injury.

Operating precautions

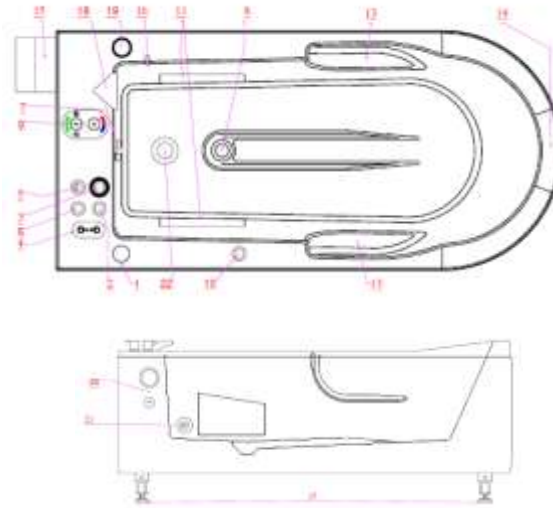
This equipment is intended to bathe residents, under the supervision of qualified medical staff and in accordance with the indications defined in the user manual. Any other use could be the source of dangerous situations. Read the precautions for use before.



1. General arrangement drawing



Elysée INDRA



1	Aromatherapy container *
4	Height-adjustable chassis control
5	Bathwater temperature display *
6	Tap securing device and pre-filling control *
7	Emptying and overflow opening and dosing control
8	Water outlet plug
9	CONCEALED the mostatic locking mixer
10	CONCEALED rinsing shower
11	Insert for Perspex footrests
13	Stainless-steel grips handle
14	Head rest
15	Disinfection station *
16	Soap/essential oils dispenser *
17	Height-adjustable chassis legs
18	Cascade filling
19	Disinfection container *

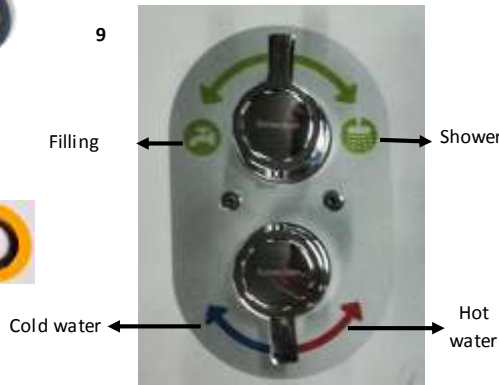
2	Starting of hydromassage *
	1 push = continuous jet (red LED on)
	2 pushes = alternative jet (red LED on-lighting)
	3 pushes = stop (LED off)
	Starting of Air jet *
	1 push — continuous jet (red LED on)
	2 pushes = wave effect (red LED on-lighting)
	3 pushes : stop (LED off)
	Starting of chromotherapy *
	1 push = loop light cycle (red LED on)
	2 pushes = colour fixing (red LED on-lighting)
	3 pushes = stop (LED off)
	Starting of PRIMA balneo system * (Air)
	1 push = ON
	2 pushes — OFF

Only operates if the minimum water level is reached

SNOEZELN PROGRAMME - CHOOSE THE OPTIONS
1 + 2 + 3 + 20 + 22



3	Semi-automatic disinfection *
	- Fill the bath up to the required minimum water level (balneotherapy level)
	- Press the control button for 5" (LED continuously on)
	- To stop, press the control (LED off)
	Red LED on —> fill the container with disinfectant
	Automatic disinfection (Flash) *
	- Green LED on when bath is completely empty (10 min. time delay)
	- To activate manually, press the control for 5 seconds (LED on)

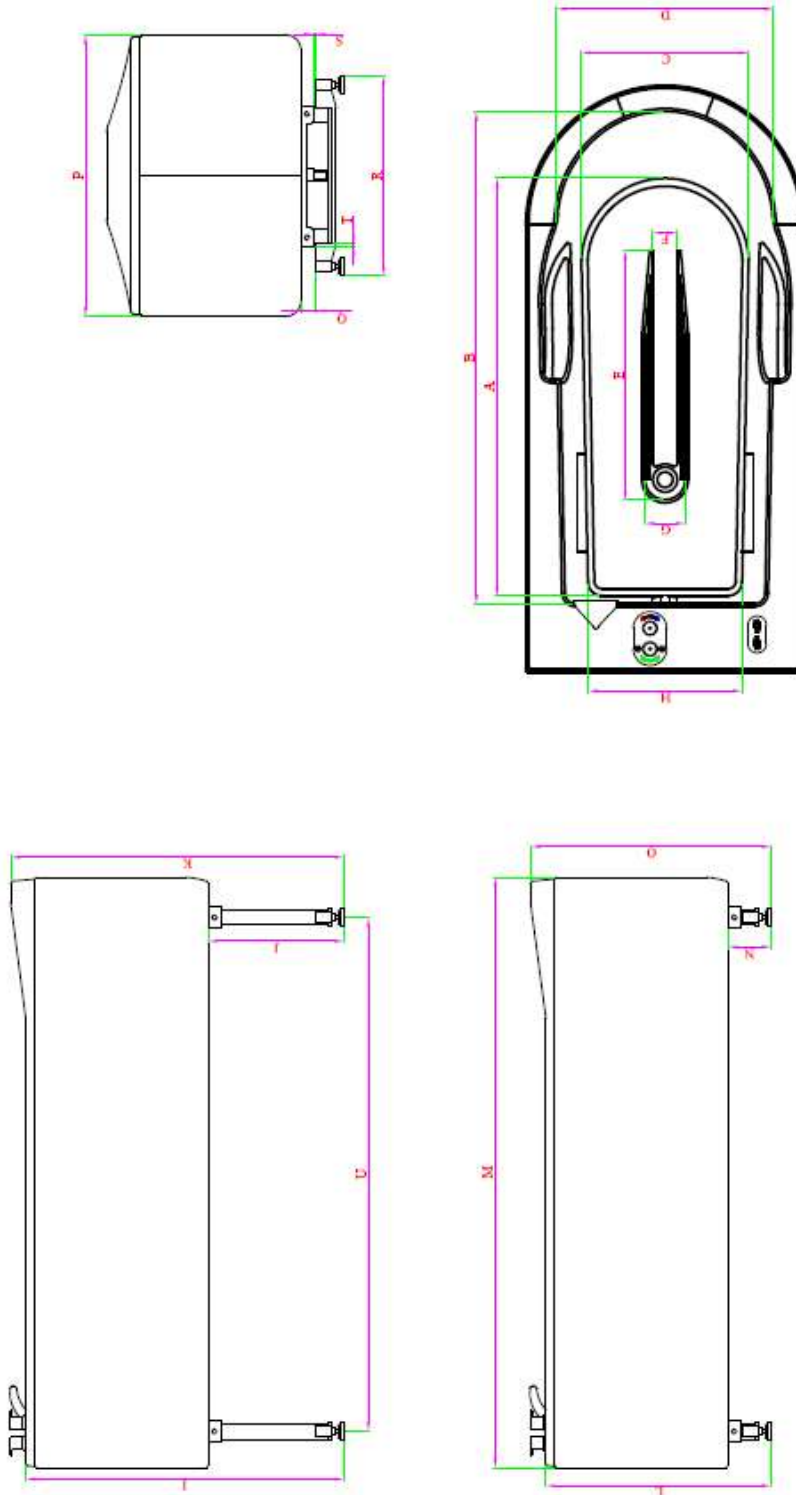


* Optional

22	Chromotherapy device by multicolour projector *
	2 X 7 colour LEDs for PRIMA chromotherapy *
21	Water balneotherapy suction strainer *
20	Dream music *

REMINDER—Read the directions for use carefully before use

2. **Dimensions**



Elysee Concept		INDUSTRIAL DESIGN	
DATE	PROJ.	DESIGNER	REVISION
2019.02.07	01.01.001	INDRA	01
Indra		Color: white	
Elysee Concept		INDUSTRIAL DESIGN	
INDRA		INDRA	

A	B	C	D	E	F	G	H	I	J	K	L	M	N	O	P	Q	R	S	T	U
1350	560	540	745	807	80	135	500	1030	440	1080	730	1912	140	780	912	50	650	9	9	1665

3. Options & accessories

Ref	Description
2864	Pre-filling system
11222	Pre-filling system with t° display
430	Headrest with suction grip
8672	Fixed headrest
1561	Suction grip with safety - Vitility 50 cm
10442	Suction grip with safety - Roth Mobeli 21 cm
2708	Suction grip with handle
2098	Soap and/or essential oils dispenser
854	Suction table
10804	Transparent Perspex footrest (4 in 1) Remote control for height-adjustable chassis
	BALNEOTHERAPY - OPTIONS
13371	Prima Air balneotherapy & Chromotherpay (colour light therapy) Prima Water balneotherapy (with Prima colour therapy) + instant disinfection
3386	Ely'Lisse + balneotherapy
10423	Ely'Reva balneotherapy + instant disinfection
13082	Ely'Well + instant disinfection
10395	Ely'Zen balneotherapy + instant disinfection Ely'Zen/Reva balneotherapy + semi-automatic disinfection * Hydromassage with massage hose for Ely'Reva, Ely'Zen and Ely'Zen/Reva
	Power Jet balneotherapy + instant disinfection
371	UV disinfection on Ely'Zen and/or Reva balneotherapy system
	NATURAL THERAPIES
382	Aromatherapy
12988	Colour therapy with Ely'Lisse balneotherapy and colour pause
10421	Colour therapy with Ely'Reva and Ely'Well balneotherapy and colour pause Colour therapy with balneotherapy - Ely'Zen and Ely'Zen/Reva + colour
374	pause
378	Colour therapy with colour pause for baths without balneotherapy
	Phytotherapy
9872	Dream music
	DESIGN- Screen printing See catalogue
	DISINFECTION
13364	Trigger-operated disinfection system (KIWA) Protective box for disinfection equipment
11109	(Option for article 11108 - only)

4. Technical specifications

DESCRIPTION

- Bathtub, made of a metal hi/low frame powered by electrical actuators (24 V) operating at a range of min. 156/max. 456 mm, supporting a polyester tank allowing use of an active or passive transfer system. An optional emergency battery is available.
- The metallic frame is completely covered with side panels
- The Stainless steel IP 67 control button for the hi/low frame are located on the control panel. The metal frame stands on the floor with two self-supporting feet, each with two height adjustable feet.
- The frame does not exceed bath space
- Under frame is fully cleared in the lower portion of the bathtub at a minimum height of 156 mm (lowest frame position)
- From one foot to the other, it allows access to a transfer system. As well as the maintenance or any technical intervention is facilitated by this space
- Inner and bottom frame are fully treated against corrosion
- The surface of the polyester tank, super resistant, ease cleaning (Sanitary gel coat)
- Two molded armrests, each equipped with a support handle (painted or stainless steel), will provide great stability to the patient / resident
- The tub has an ergonomically shape with a length of 1900 mm and a width of 780 mm - for internal dimensions: see attached drawing
- The tub rounded design is made without any protruding edge and is formed of an anatomical seat and a disbursement at the bottom of the tub which allows the elevation of the legs and optimal safety for the patient / resident. The tub is also equipped with a molded anatomic headrest and can be equipped with an additional comfort headrest with suction cup (optional) or to be fixed (option)
- The bath can be equipped with a removable plexi footrest and adjustable in 4 positions (option)
- The color of the tub is white. The panels are white basic but can be covered with a solid colors to choose from 77 colors or a standard serigraphy or to tailor-made (optional)
- The tank is equipped with an overflow – draining by pull device without chain
- The working height varies between 730 and 1030 mm
- The bath has a built-in thermostatic faucet system with hand shower (locking of safe t° - burn protection) - 1/2 "
- The bath can be fitted with a pre-filling system for securing the taps with or without t° display (option)
- Electrical controls are protected against water and any other liquid and it operates under low voltage 24V according to medical safety guidelines.
- The bathtub and the operating controls works at 24 Volts low voltage, according to medical safety guidelines
- Compatible with all transfer systems
- Ø 50 mm draining tap

COMPLIANCE

Your Elysée Indra bathtub, equipped with a lifting table (height-adjustable frame), has a type IIA certificate of conformity and is CE marked. This means that its design and construction comply with the MACHINES directive of the EEC Council

SAFETY INSTRUCTIONS AND WARNINGS

- Do not use the bathtub if you do not understand this guide
- To ensure the safe use of the bath, please read this guide carefully, especially the following safety instructions, before installing, using, or maintaining this equipment.
- Make sure you have received all the instructions and read them carefully before use.

- If the information in this guide is not completely understood, contact your official dealer or Elysée Concept SàRL. Failure to follow the warnings in this guide and instructions for use of the various options and accessories could result in injury.
- Keep this manual safe and refer to it as needed. The contents of this manual are subject to change without notice to users.



The bath can only be accessible under the supervision of a person with authority

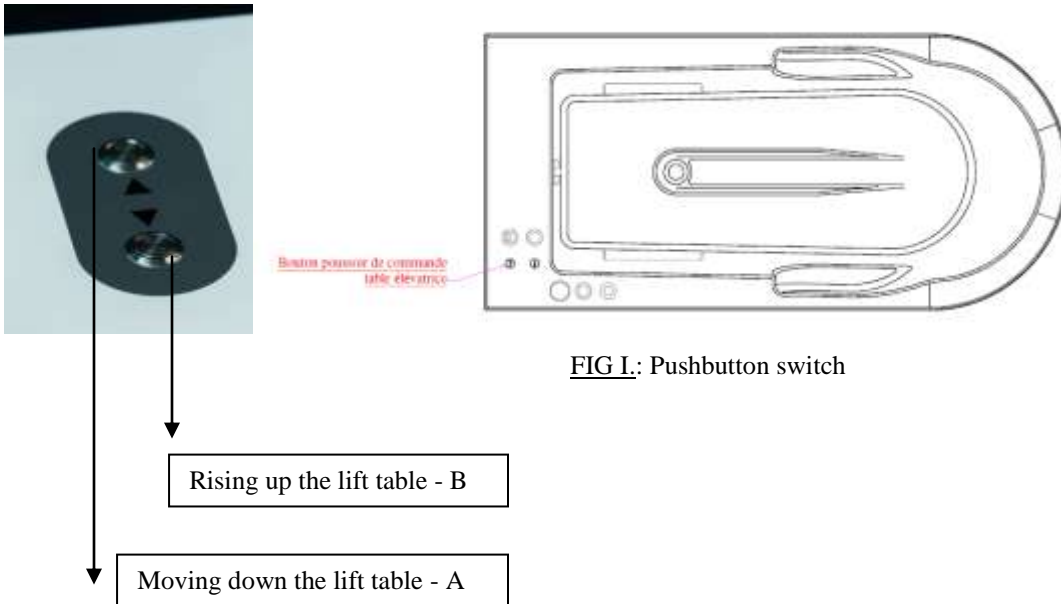
COMMISSIONING AND INSTRUCTIONS FOR USE

- The Elysée Indra must be installed by an authorized technician
- DO NOT stir up the bathtub
- DO NOT stay underneath the tub when descending
- DO NOT pull the shower abruptly
- DO NOT leave the shower submerged in the bath
- DO NOT leave anything under the bath
- The bath is equipped with a 38° water t° locking system, if this device were to be removed it would be entirely the responsibility of the purchaser
- DO NOT use electrical equipment near the bath or in the bath
- Regularly test the t° of water using an independent thermometer and check the bath t° before the patient enters the water
- ALWAYS do a daily check before bathing
- ALWAYS make sure the patient is safe as they enter and exit the bath (use grab bars, adjust bath height, etc.)
- The bath must be cleaned and disinfected after each use according to the disinfection instructions (provided with the bath at the delivery)
- Any disinfectant and cleanser should be used according to the recommendations for use and safety mentioned on the bottle or on the disinfection leaflet
- A weekly safety check shall be performed to ensure that all pipes, hoses, fittings and attachments are in good condition. If the bath is equipped with a balneotherapy, activate the system to avoid seizure.
- Keep all components of the bathtub clean and dry
- Annual bathtub maintenance will be conducted by an approved technician

5. Operating instructions

The ELYSEE Indra bathtub equipped with the lift table is a bathtub that offers unique comfort for patients and caregivers. It's destined for washing people. The lift table can only be used in combination with the ELYSEE bath. Any other use is ABSOLUTELY PROSCRIBED.

5.1. Pushbutton switch hi/low frame



5.1.1. Rising up the lift table

Refer to Figure I.

Press the rise pushbutton (upper A button) located on the bath shelf next to the taps of the ELYSEE Indra bathtub. The lift table continues to rise as long as the push-button pressure is maintained. The electric rise control of the lift table will automatically stop the rise as soon as the cylinders arrive at the end of the race. (Maximum height under bath 453 mm and minimum height 153 mm)



When bathing, make sure that no obstacles are present on the bath's climb path, either in the lower area of the bath, (transfer system) or around the bath. If an object or anything was on the way, the operator/resident would be at risk of injury and the bathtub could be damaged

5.1.2. Moving down the lift table

Refer to Figure I

Press the descent pushbutton (lower B button) located on the bath shelf next to the taps of the ELYSEE Indra bathtub. The lift table continues to descend as long as the push-button pressure is maintained.

The electric descent control of the lift table will automatically stop the descent as soon as the cylinders arrive at the end of the race.



When descending the bathtub, the operator must ensure that there is nothing to prevent the equipment from descending. If an object or anything clogged the bathtub during the descent, the operator/resident would be exposed at risk of injury and the bathtub could be damaged.



Resident or Operator Instruction: Never sit on the side or end of the bathtub

5.2. Bath setup

5.2.1. Locking of draining trap

Refer to Figure II

Turn the overflow cap cover to seal the draining tap before turning the water on.

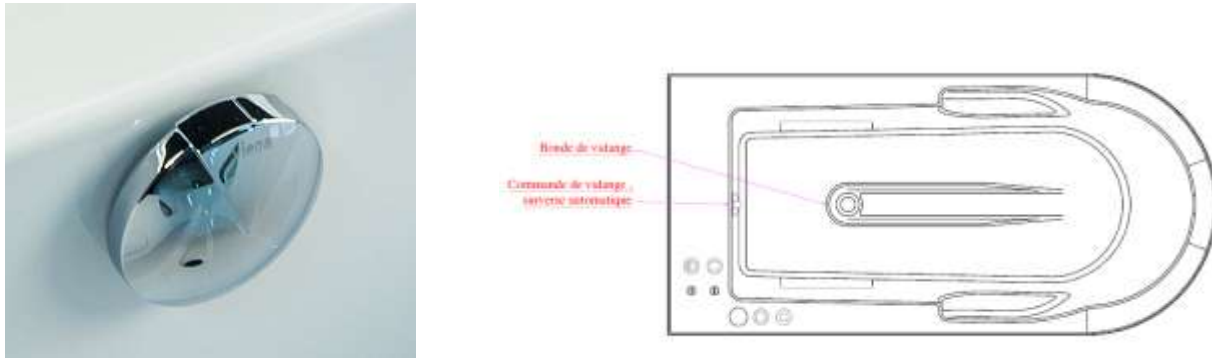


FIGURE II : overflow cap cover and draining tap

5.2.2. Filling of the tub

Before filling the bath, ensure that the temperature is blocked at 38°. If not, turn the selection button to the desired temperature and press the button. (Anti-burn safety) (See Figure III)

WARNING your bath is equipped with a t° blockage, making impossible to set the t° of the water beyond the anti-burn safety (38°). If you would like to change this option, please contact the Authorized Technician.

For maximum safety, it is recommended that you check the water temperature with a thermometer placed under the water jet, REGULARLY.

Then, to activate the water flow, select the flow through the shower (see Figure III) by turning the handle towards the shower or by the cascade filling system (see Figure III) by turning the handle towards the opposite side. The maximum temperature is 38° (position A) - if it is too hot, turn the joystick to the left (temperature less than 38°).

Fill the tub with the desired amount of water, then install the patient. An automatic overflow (Figure II) will prevent any overflow of the bathtub.

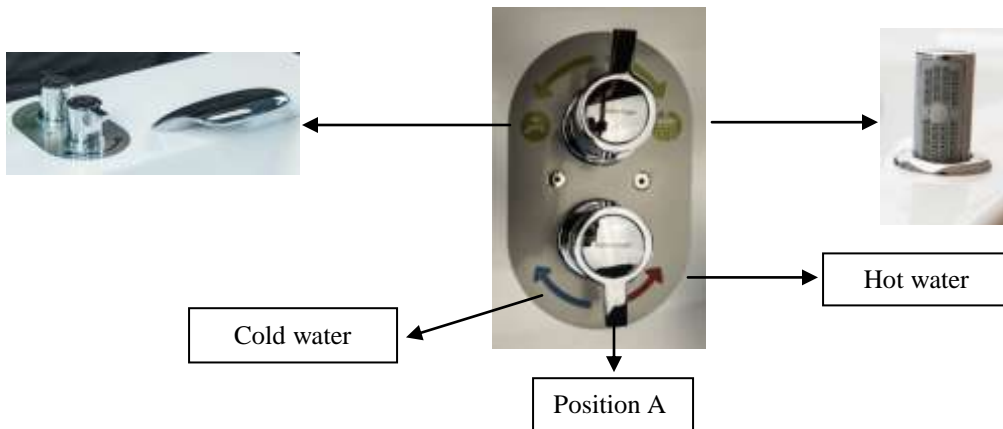


FIGURE III: Integrated thermostatic tap

5.2.3. Positioning of the patient in the bathtub

Refer to Figure I

Adjust the tub to the lowest height to facilitate the patient's entry into the bath.
Install the patient in the ELYSEE Indra bathtub.

Adjust the tub to the desired height to wash the patient in ergonomic position without pain or risk of back pain.



To prevent from tipping, avoid standing up in the bathtub

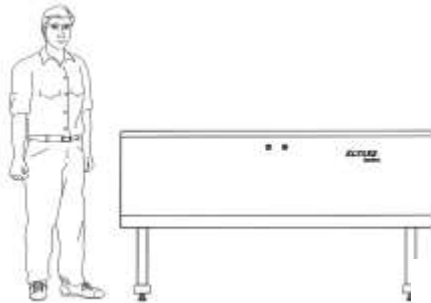
5.3. Draining of bathtub

When the bath is finished, just turn the overflow cap cover on the right to unseal the draining tap

6. Working position

The preferred position of the bath is to be adjusted by the staff for each bath thanks to the hi/low frame and depending of the size of the care users.

The bathtub Elysée Indra offers full access all around the bath, as far as the space around the bathtub allows it. The entire periphery of the lift table has a clearance to allow the feet to be placed without the risk of pinching.



7. Maintenance instructions



For an optimal maintenance, it is strongly recommended that you consult the disinfection manual provided with your bath

- Once the bath is done, adjust the height of the bath to allow ergonomic working conditions by using the control buttons see Chapter 5.1.Push-button switch hi/low frame
- Rinse and clean the inside of the bathtub, using the shower head.
- Do not clean the bathtub with abrasive products or sponges
- Preferably use the disinfection product Ely'a surfed Safe, available in the range of disinfection products Elysée Concept
- If the bath is equipped with a balneotherapy system, start the disinfection or let the automatic system start by itself and complete the cycle



Protective gloves and glasses should always be worn when handling concentrated disinfectant products. Avoid contact of the cleaning product with the skin or eyes. In case of contact with the product, rinse thoroughly with fresh water. In case of irritation contact a doctor.

Follow carefully the instructions on the product.

When using bath additives, make sure they are sufficiently diluted with water before putting them in the bathtub. After a bath containing bath additives, the bathtub should be rinsed with clear water.

Once a year, it is recommended that you maintain your Elysee bath by a qualified technician.



The valves used for KIWA certification must be replaced every 10 years (as per WB1.4G Standard – www.infodwi.nl)

8. User manual (to be displayed in the bathroom)

- Turn the overflow cap cover to seal the draining tap.
- Turn on the water at appropriate t°
- Install the patient in the ELYSEE Indra bathtub
- Adjust the height of the tub to obtain an ergonomic working position.
- Once the bath is done, turn the overflow cap cover on the right to unseal the draining tap and let the water evacuate

Recommended use



To avoid tipping, avoid standing in the bath

It is strictly forbidden to insert a foreign object between the ground and the bathtub during the descent of the hi/low frame.

It is strictly forbidden to place a foreign object on the trajectory of the bathtub when rising

Cleaning

Once the bath is finished, it is mandatory to rinse and clean the inside of the bathtub with a cleaning and disinfectant product.

Do not clean the bathtub with abrasive products or sponges. Preferably use the disinfection product Ely'a surfed Safe.

In the case the bathtub is equipped with a balneotherapy rinsing system, be sure to respect the required timing to finalize the disinfection process (+/- 10 minutes for all models with a “flash” disinfection system, +/- 18 minutes for models with an automatic disinfection system) before installing a new patient in the bathtub for the next bath.

In the case of a bathtub with a balneotherapy system, be sure to perform shock chlorination on a weekly basis. (Refer to disinfection note)



Gloves and glasses should always be worn when handling concentrated disinfectant products. Avoid contact of the cleaning product with the skin or eyes. In case of contact with the product, rinse thoroughly with fresh water. In case of irritation contact a doctor. Follow carefully the instructions on the product.

When using bath additives, make sure they are sufficiently diluted with water before putting them in the bathtub. After a bath containing bath additives, the bathtub should be rinsed with clear water

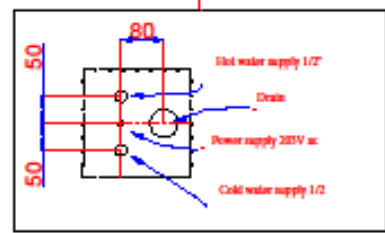
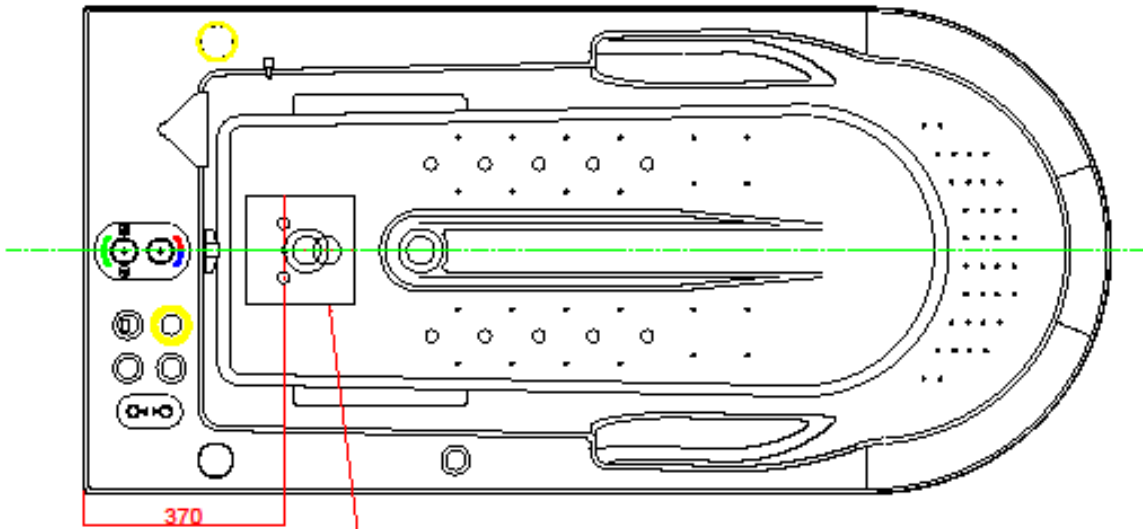
9. Technical settings instruction

Once the ELYSEE Indra bathtub and lift table are set in position and height, no adjustment is required.

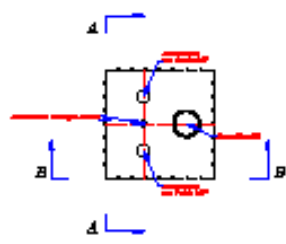
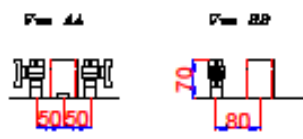
10. Recommendation


If your Elysée Indra bath is equipped with natural therapies or external disinfection devices, please refer to the Elysée Ad-hoc instructions provided with the bath.

12. Connection plans



Maximum height for water supplies 70mm





Fabrication et diffusion de baignoires pour personnes âgées, malades valides et handicapées

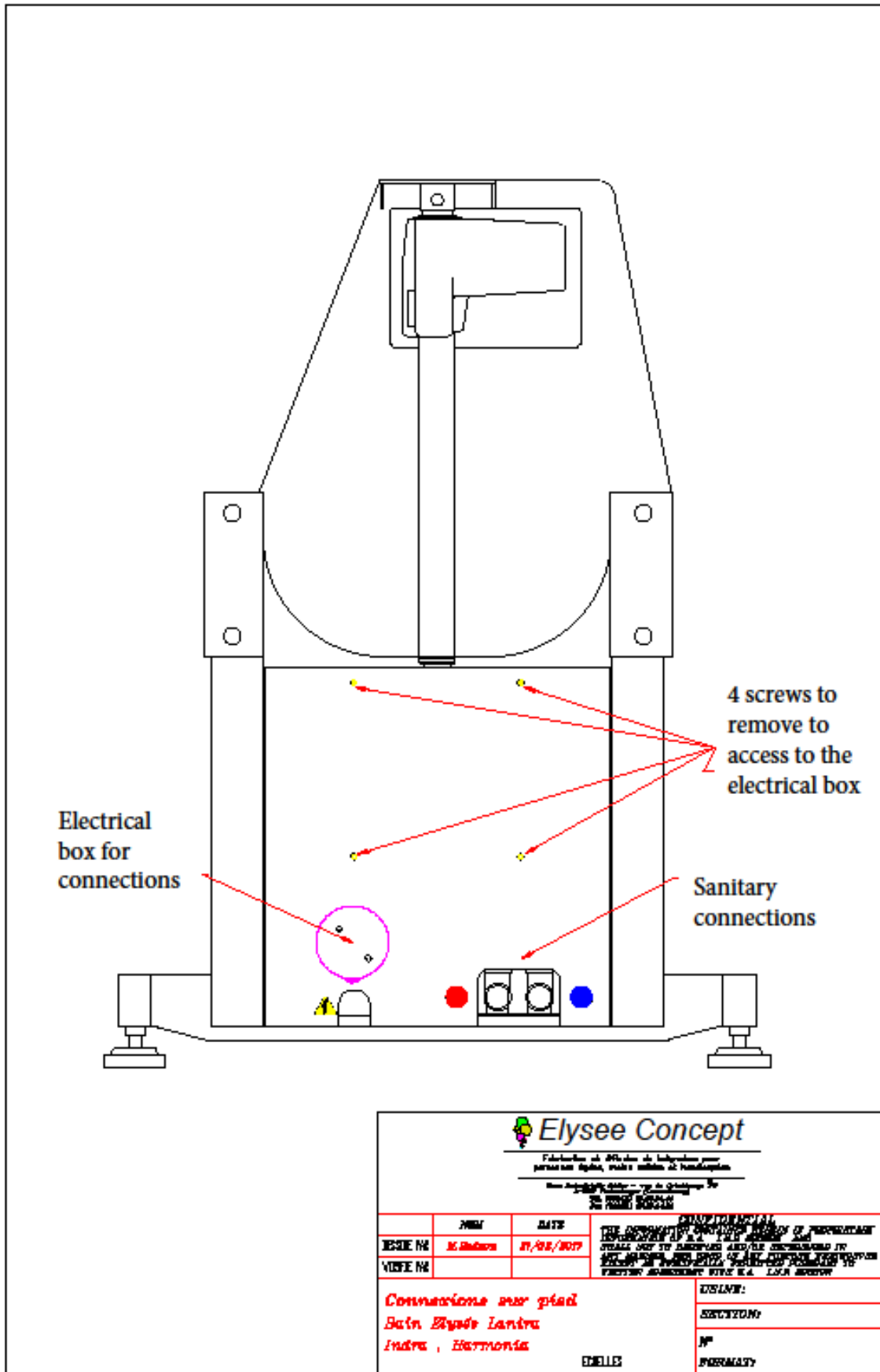
100 rue Industrielle d'Indre - 37100 Indreval
 02 47 82 40 00
 Fax (02 47) 82 40 02

	NOM	DATE	CONFIDENTIAL
DESINE PAR	<i>M. Bédouin</i>	<i>21/02/2017</i>	THE INFORMATION CONTAINED HEREIN IS PROPRIETARY INFORMATION OF S.A. ELYSEE CONCEPT AND SHALL NOT BE DISCLOSED AND/OR REPRODUCED IN ANY MANNER NOR USED IN ANY PURPOSE WHATSOEVER EXCEPT AS SPECIFICALLY PERMITTED PURSUANT TO WRITTEN AGREEMENT WITH S.A. ELYSEE CONCEPT
VERIFIE PAR			

Implantation au sol
Bain Indra/Lavira

ECHelles

USINE:
SECTION:
N°
FORMAT:



Elysee Concept
 Fabrication et diffusion de baignoires pour
 particuliers depuis 1984, nous sommes à l'écoute
 des besoins de nos clients - voir les coordonnées de
 nos points de vente

	NOM	DATE	DESCRIPTION
DEMEURANT	M. Indra	27/02/2017	LES TRAVAUX DE MONTAGE DE LA Baignoire de remplacement effectués par Elysee Concept ont été réalisés conformément aux plans et spécifications fournis par Elysee Concept. Les travaux ont été effectués par les techniciens Elysee Concept. Les travaux ont été effectués conformément aux plans et spécifications fournis par Elysee Concept.
VILLE			

Connexions sur pied
 Bain Elysee Lantia
 Indra , Harmonia

Elysee

USINE:
SECTION:
N°
FORMA:

IN CAS OF FAILURE – instruction for technicians only

PROBLEMS	SOLUTIONS
----------	-----------

Tap

Pressure failure	1. Clean filter
Hot water failure	1. Replace cartridge 2. Control filter

Lift

Do not rise	1. Check power supply 2. Check connection in the electrical box 3. Check switch button
Do not go down	Idem
Do not rise in a synchronized way	1. Bring the tub in the lower position 2. Simultaneously press the climb and descent button 3. Wait for the bip 4. Rise the tub

Body

Side panels loose	1. Proceed with a tightening
-------------------	------------------------------

Balnéo

Won't start	1. Check the fuse 2. Check motor 3. Check push button 4. Check if minimum water level is reached
T° display don't work	1. Replace battery

Chromothérapie

Won't start	1. Check push button
-------------	----------------------

The customer will refuse to order from a third party person or company, any repair regarding the bathtub covered by the warranty.
 The intervention of any person non-certified by Elysée Concept Sàrl excludes her from any responsibility and allows her to suspend immediately the guarantee.