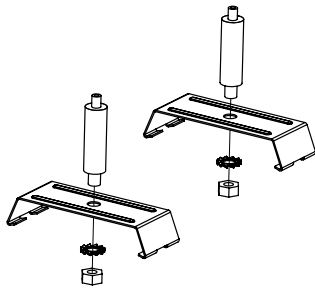


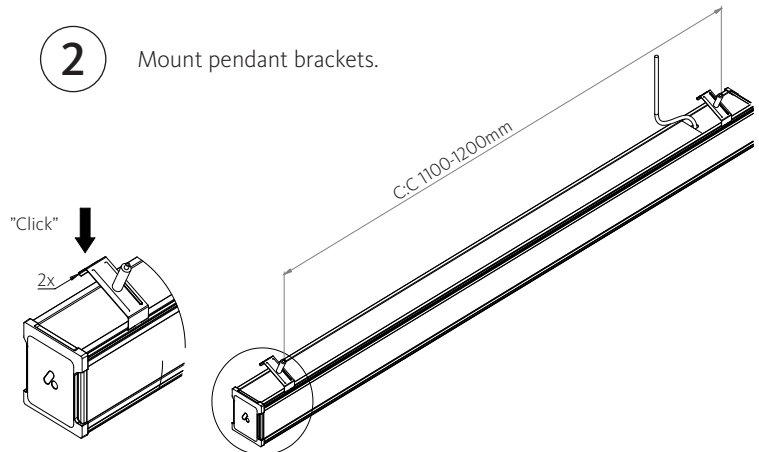
# Exzite

## Installation manual

### 1 Pendant brackets.

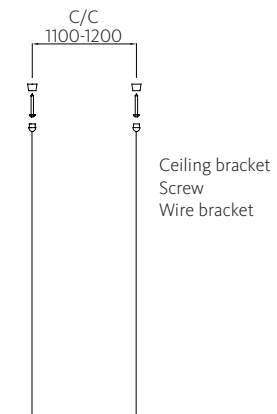


### 2 Mount pendant brackets.



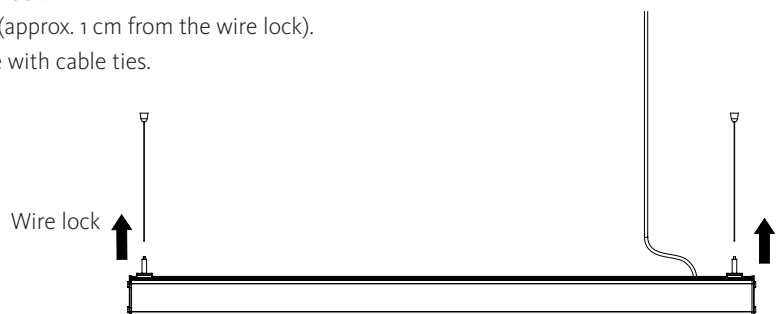
### Installation of ceiling mounts for wire

Attach the ceiling brackets with screws designed for the current ceiling. C/C 1100-1200 mm.  
Screw the wire brackets in the ceiling brackets.



### Installation

Lift the luminaire and insert the wire on top of the wire lock.  
Adjust to the proper height and cut off the excess wire (approx. 1 cm from the wire lock).  
The luminaire connection cable can be attached to wire with cable ties.



## Installation of whiteboard version

The luminaire should be placed as shown dimensions. X is dimension between the floor and the upper of whiteboard.

