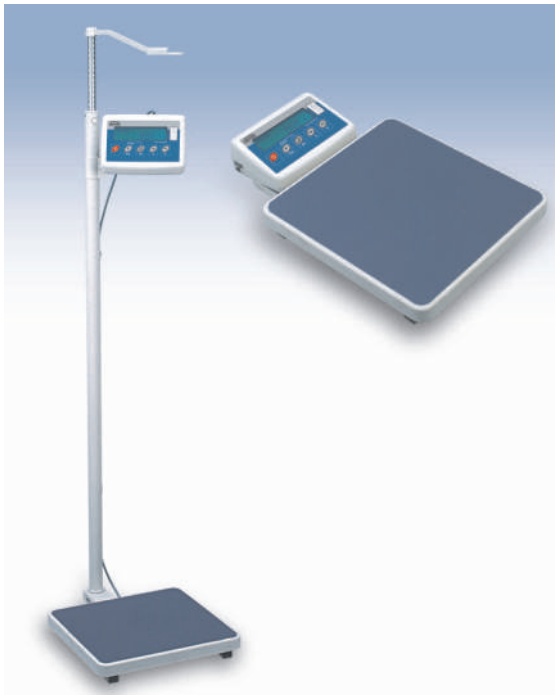


PERSONAL SCALES

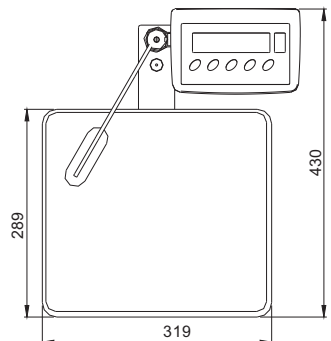
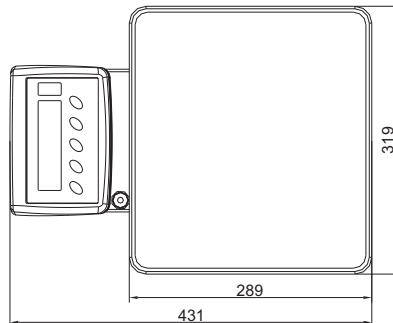
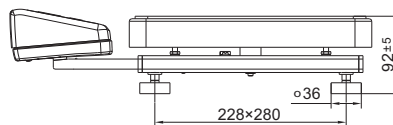
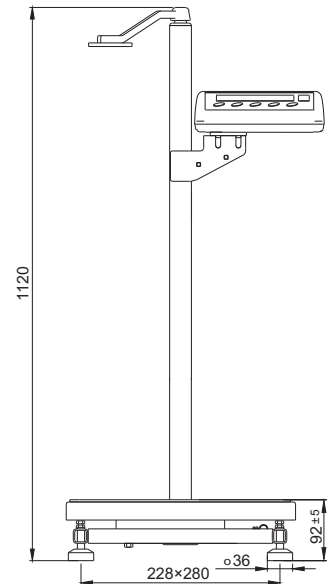
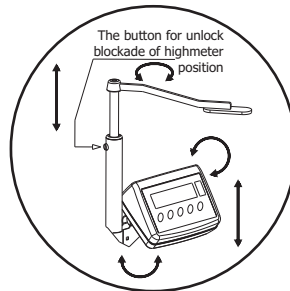


Scales designed for weighing patients in clinics. Using height-meter, it is possible to measure the height of a patient up to 2 meters. Scales are equipped with backlit LCD display, Power supply either from mains or from batteries.

Personal scales are manufactured in two versions:

- with height-meter (indicator installed on the pillar of height - meter)
- without height-meter (indicator attached to the weighing platform).

Measuring indicator PUE C/31 is standard equipment of this scale.



Technical data:

	WPT 60/150 OW WPT 60/150 O	WPT 100/200 OW WPT 100/200 O
Max capacity	60/150 kg	100/200 kg
Readability	20/50 g	50/100 g
Tare range	-150 kg	-200 kg
Working temperature	0° - +40 °C	
Output signal	RS 232	
Power supply	230V / 11V AC or 120V / 11V AC and 6×AA NiMH accumulator	
Display	LCD (backlit)	

Additional equipment:

"KAFKA" THERMAL PRINTER

COMPUTER SOFTWARE: PW-WIN, RAD-KEY 2000

RADWAG

26-600 Radom • Bracka Street 28 • POLAND • Phone: +48 48 3848800 • Fax: +48 48 3850010 • www.radwag.com • e-mail:export@radwag.com