



6100 2000/ 6100 2050

## Marina basic Shower stretcher excl. mattress

6100 2010 / 6100 2060

## Marina deluxe Shower stretcher excl. mattress

The Marina basic / Marina deluxe is equipped with a length adjustment. The stretcher can easily be extended or shortened. Each length has his own mattress:

- *Mattress 186 cm, article number: 6720 0010*
- *Mattress 206 cm, article number: 6720 0020*
- *Mattress 226 cm, article number: 6720 0030*



- Wide stable wheelbase.
- Extremely light frame made of aluminium.
- Large diameter wheels (Ø15 cm / 5.9 inch).
- Height-adjustable, hydraulically or electrically operated
- Ergonomic pump action for height adjustment.
- If electrically operated: fitted with an emergency lowering, emergency stop and user-friendly charger.
- Backrest adjustment (only Marina deluxe)
- Simple and safe control of side rails with locking.
- Corrosion resistant through aluminium, stainless steel, plastics and galvanised parts.
- Streamlined finish for optimal cleaning.
- Tilting for water drainage.
- 2 positions for side rail (wide and narrow)

Hydraulic: 6100 2000 / 6100 2010  
& Electric: 6100 2050 / 6100 2060

### Marina basic shower stretcher & Marina deluxe shower stretcher

*Excl. mattress*

The Marina basic / Marina deluxe shower stretcher is a medical device for caring for and washing clients in an ergonomically responsible manner. Comfort is the primary consideration for both the client and the carer.

The Marina basic / Marina deluxe comprises a mobile base frame and a height-adjustable supporting surface with a soft mattress. The stretcher is also mobile. The Marina deluxe also has a back adjustment.

These functions are essential performances of the stretcher. The Marina is multi-functional in use and corresponds to the use of other devices such as beds, wheelchairs and shower chairs, hoisting equipment and sliders such as the EasySlide.





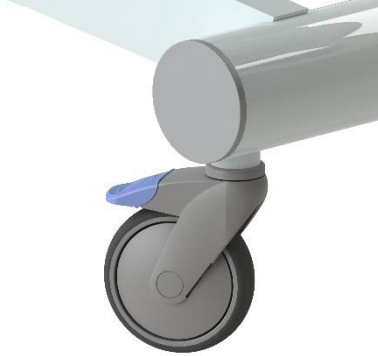
Suitable for people with a severe to very severe disability



Creating balance in healthcare



*Semi-central braking (Marina deluxe)*



*Brakes (Marina basic)*



*Side rail*



*Water drainage*



*Controlbox with emergency stop (Electric)*



*Manual control with battery indication*



*Tilting (anti-Trendelenburg)*



*Backrest adjustment Hydraulic*



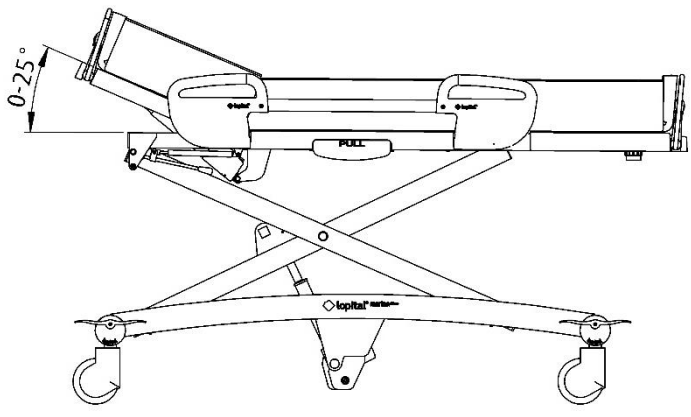
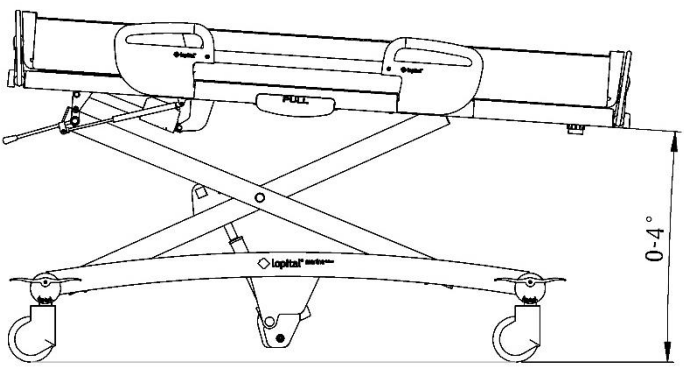
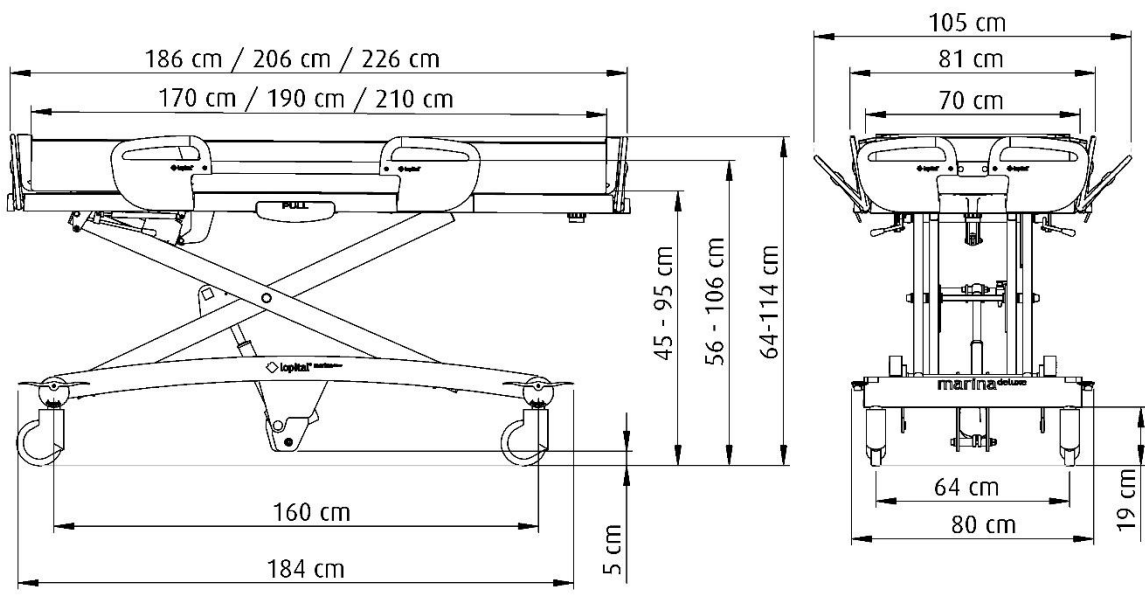
*Marina basic/ Marina deluxe hydraulic Pedal*

## Technical specification

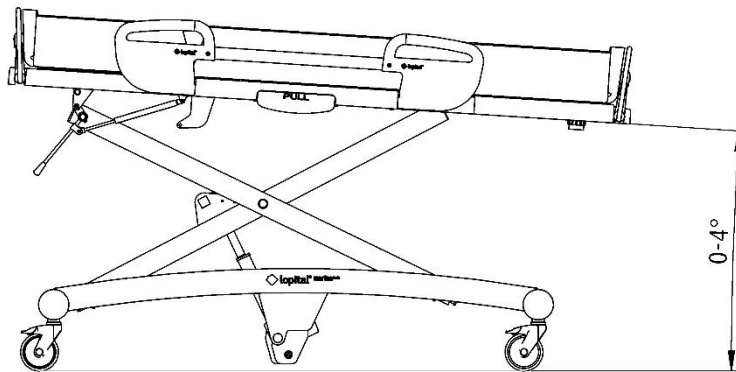
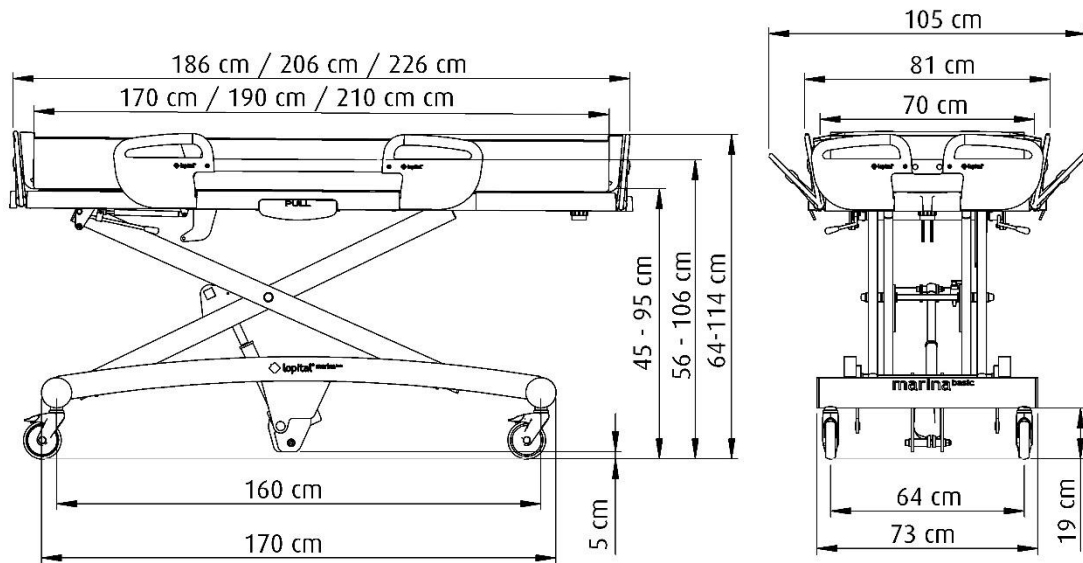
- High/low drive                      Hydraulic or electric
- Manual control                     4-key handset with suspension hook, IPX6
- Controlbox                          24VDC, max. 250 W
- Battery                                24V, 2.9 Ah
- Battery charger                    100-240V AC, 50-60 Hz, max. 1A, charge station

Art. no.	Art. Description	Outside length	Outside width	Inside length	Inside width	High/low	Max. load	Product weight in kg
6100 2000	Marina basic shower stretcher hydraulic	186 206 226	81	170 190 210	70-80	45-95	227	76
6100 2010	Marina deluxe shower stretcher hydraulic	186 206 226	81	170 190 210	70-80	45-95	227	80
6100 2050	Marina basic shower stretcher electric	186 206 226	81	170 190 210	70-80	45-95	227	76
6100 2060	Marina deluxe shower stretcher electric	186 206 226	81	170 190 210	70-80	45-95	227	80
6720 0010	Mattress 186	-	-	170	70	-	-	-
6720 0020	Mattress 206	-	-	190	70	-	-	-
6720 0030	Mattress 226	-	-	210	70	-	-	-

# Marina deluxe – incl. mattress



Marina basic – incl. mattress



For more information, visit our website: [www.lopital.com](http://www.lopital.com)

Lopital Nederland B.V., Laarakkerweg 9, 5061 JR Oisterwijk, Postbus 56, 5060 AB Oisterwijk  
Tel +31 (0)13 5239300, Fax +31 (0)13 5239301, E-mail [info@lopital.nl](mailto:info@lopital.nl), [www.lopital.nl](http://www.lopital.nl)

All of the aids produced by Lopital fulfil the following norms: MDR (EU) 2017/745, NEN-EN-ISO 14971, ISO 17966, ISO 9001:2015, ISO 13485:2016/C12:2018, NEN-EN 12182, ISO 60601, EN ISO 60601-1-2, EN ISO 60601-1-6, EN ISO 62366, CAN/CSA 60601, ANSI/AAMI ES 60601-1