



Datasheet

JKM24LINMC-39AH-50A-CB

Type: Battery Pack

Item No.:JKM24LINMC-39AH-50A-CB

Revision: v. 1.2 - August 2018

Description

This battery pack is an inexpensive battery, that still has all the advantages of lithium-ion battery technology.

With its continuous discharge current of 50A, CANBus monitoring and logging features, it is a perfect alternative to lead-acid batteries in applications like AGV's, cleaning machines, rehabilitation products etc.

Highlights

- 24V - 39,6Ah Battery Pack
- CANBus monitoring
- Internal Logging System
- Easy and Safe Installation
- Rugged Stainless Steel Casing
- Low Self-discharge (< 5% / month)
- Long Service Life (+1000 cycles)
- Low Weight (8.2Kg)

PACK SPECIFICATIONS

Voltage	24V (nominal)
Capacity	39,6 Ah
Cell Configuration	18P7S
Cell Type	18650 / 2200 mAh
BMS	Integrated
Chemistry	Lithium-NMC
Cycle Life	>1000 cycles (@80% DoD)
Self-Discharge	<5% / month
Dimensions	163 x 153 x 212 mm
Weight	8.2 Kg
Casing	Stainless steel
Enclosure	Splash proof (IP54)
Connector	Anderson type (50A)
Communication Connector	DE-9 (P2: CAN-L; P7: CAN-H; P4: Shared GND; P8: Analog +)
Discharge/Charge temperature range	-10°C - +50°C / 0°C - +30°C
Approvals/Certifications	UN38.3 / CE / RoHS

BMS SPECIFICATIONS

Charge ending voltage	29.2±0.1 V
Discharge ending voltage	19.6±0.1 V (Recommended $V_{cut-off} = 21V$)
Standard cont. charging current	10A
Max. cont. charging current	50A (Recommended $I_{max} = 20A$)
Standard cont. discharge current	30A
Max. cont. discharge current	50A
Peak current	120A(<1S)
Current consumption	<2 (mA)
Analog SoC Output (0-5V) (<2mA)	Where 0V: 0% SoC, 2.5V: 50% SoC, 5V: 100% SoC

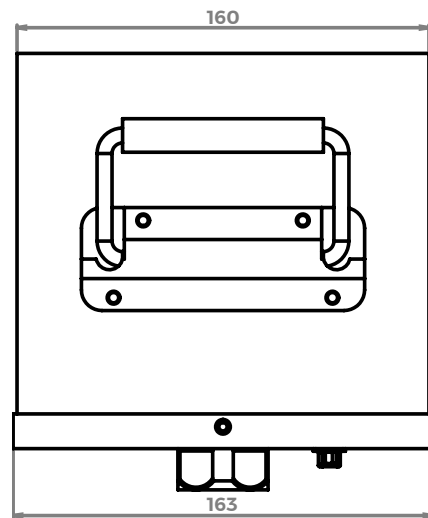
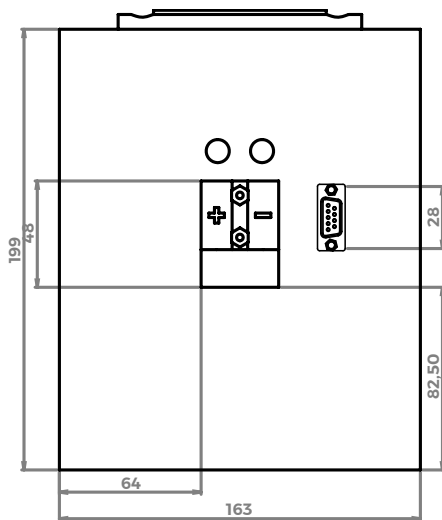
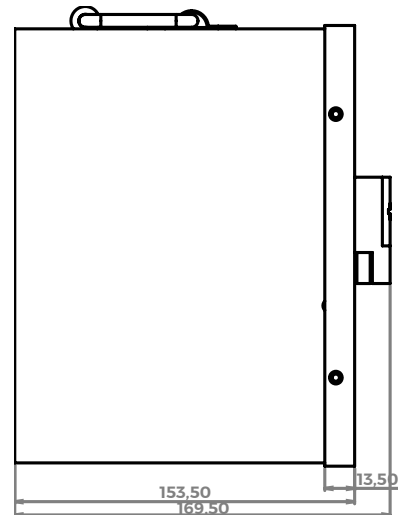
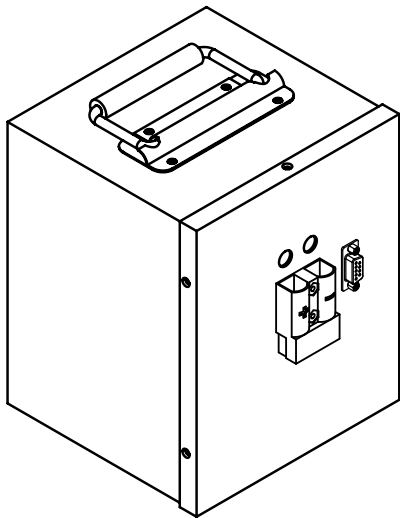
CANBus Specifications

Bitrate	250Kb/s
Data	Both Real-time and Event Log can be retrieved
Reflashable Firmware	Yes
Multiple Batteries on same BUS	Yes



DIMENSIONS

All units are in mm ($\pm 0.5\text{mm}$)



WE MAKE INDUSTRIAL GRADE BATTERIES



DATASHEET

Type: Battery Pack
Type No.: JKM24LINMC-59AH/120A
Revision:1.1 - january 2018

Lithium-Nickel-Manganese-Cobalt Battery Pack

TYPE NO.:JKM24LINMC-59AH/120A

Large traction battery for very-high current applications that require a high output current to battery size ratio.

- 24V Battery Pack
- Capacity of 59,4Ah
- Easy and Safe Installation
- Rugged Stainless Steel Casing
- Low Self-discharge (< 5% / month)
- Long Service Life (+1000 cycles)
- Low Weight

PACK SPECIFICATIONS

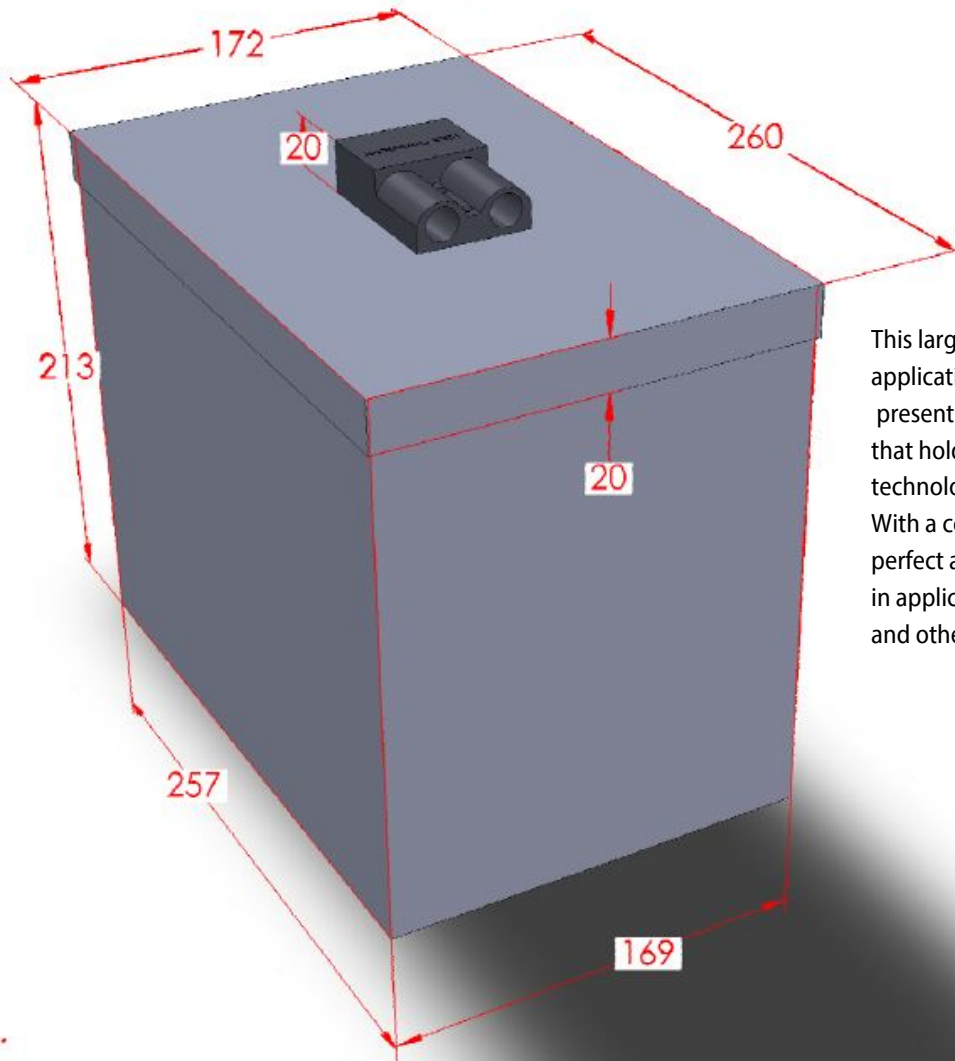
SUBJECT	VALUE
Voltage	24V (nominal)
Capacity	59,4 Ah
Cell configuration	27P7S
Cell type	18650 / 2200 mAh
Chemistry	Lithium-NMC
Cycle Life	>600 cycles (@80% DOD)
Self-Discharge	<5% / month
Dimensions	260 x 232 x 172 mm
Weight	15 Kg
Casing	Stainless steel
Enclosure	Splash proof (IP54)
Connector	Anderson type (120A)
BMS	Integrated
Discharge/Charge temperature range	-10°C - +50°C / 0°C - +30°C
Approvals/Certifications	Pending

BMS SPECIFICATIONS

SUBJECT	VALUE
Charge ending voltage	29.2±0.1 V
Discharge ending voltage	19.6±0.1 V
Standard cont. charging current	15A
Max. cont. charging current	60A (Recommended max. current = 30A)
Standard cont. discharge current	45A
Max. cont. discharge current	120A
Peak current	330A (<1S)
Current consumption	<2 (mA)



60Ah/24V-120A LiNMC battery
Weight: 15Kg



This large traction battery for very-high current applications, presents a simple, rugged and inexpensive battery, that holds all the advantages of lithium-ion battery technology. With a continuous discharge current of 120A, it's a perfect alternative to lead-acid batteries in applications like Electrical Scooters, wheelchairs and other high current applications.

WE MAKE INDUSTRIAL GRADE BATTERIES