



**JUNO COMMODE AND SHOWER WHEELCHAIR**

**JUNO – LIGHTWEIGHT,  
FOLDABLE AND  
UNBEATABLY PRACTICAL**



 CARELINE



# COMMODE AND SHOWER WHEELCHAIR

## THE LIGHTWEIGHT HELPER FOR AT HOME AND ON THE GO

### ROBUST HELP FOR EVERYDAY CARE

The Juno commode and shower wheelchair has been specially developed for the demands of modern care and can be used anywhere and at any time. Made of safe, sturdy plastic, it is the ideal companion for showering, bathing, and using the toilet, but also for transporting people indoors. Not only is it lightweight, it can also be folded – for unrivalled convenience.



## Advantages **OF THE JUNO**



### UNBEATABLY LIGHTWEIGHT

Weighing just 10 kg, the Juno is one of the lightest commode and shower wheelchairs on the market.



### SPACE-SAVING

Its convenient folding function allows it to be stored and stowed quickly and easily.



### INTELLIGENT DESIGN

The Juno can be assembled without tools.



### HIGHLY ADAPTABLE

The seat panel can be attached in two different positions, while the footrests can be raised, lowered, folded back, or detached. The commode pan holder and commode pan are included.



## COMFORT FROM BATHROOM TO BED



## WHAT OUR CUSTOMERS SAY: THE ULTIMATE AID

UNIQUE  
FOLDING  
FUNCTION!

*HANS-PETER K., MEDICAL SUPPLY STORE MANAGER*

"Thanks to its robust, low-maintenance materials, the Juno is the ideal commode and shower wheelchair for repeated use. It's also foldable, meaning it requires less than 50 % of the storage space of conventional models."

*HENRIKE S., GERIATRIC NURSE*

"Especially when my patients experience unforeseen mobility restrictions, the Juno has repeatedly proven to be the ultimate aid. Because it is so lightweight, it is quick and easy to set up and adjust."

*ANGELIKA S., PRIVATE USER*

"We nurse my father at home in the family. He is very restricted in his movements, but mentally full of life – and he loves getting out and about. So this folding chair is very convenient. And we can pop it in the car in next to no time."





# THE JUNO...

...DESIGNED DOWN TO THE LAST DETAIL!

JUNO COMMODE AND SHOWER WHEELCHAIR **JUNO**

ART. NO. 52848

45°  
VIEW

Foldable and detachable  
**ARMRESTS**

Detachable  
**COMMODE PAN HOLDER**

**LOW-RESISTANCE WHEELS WITH BRAKES**

Ergonomic  
**BACKREST**

**SEAT PANEL** with opening;  
detachable and 180° rotatable

**FOOTRESTS**  
foldable, detachable and adjustable







## AT A GLANCE

### PROPERTIES

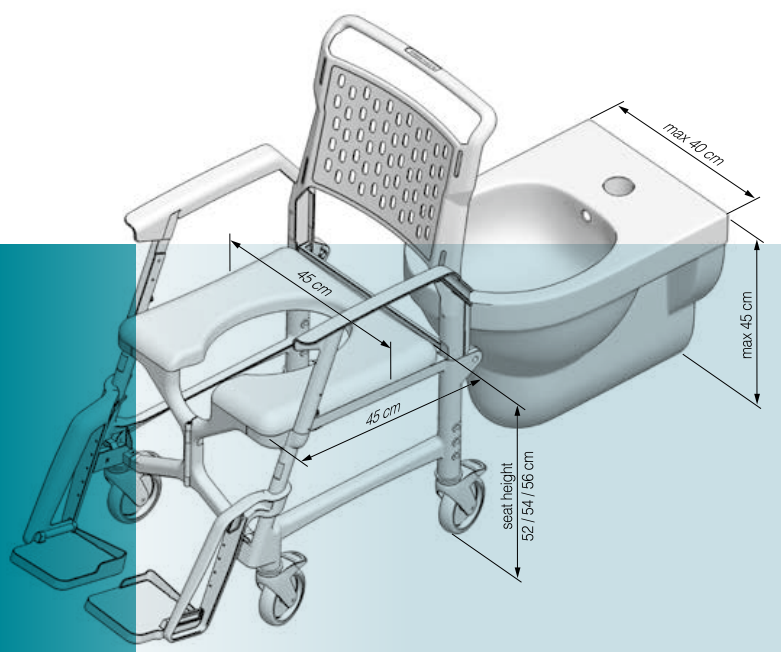
- The seat panel with opening can be rotated by 180°.
- Long armrests make it easier to sit down and stand up
- Versatile footrests: adjustable, foldable and detachable
- Advanced plastic injection technology
- All metal parts (including the bearings) are made of stainless steel
- The rails for the commode pan are detachable

### DIMENSIONS

- Seat dimensions (W x H x D): 45 x 52/54/56 x 45 cm
- Opening (22 x 30 cm) with hygiene cutout
- Weight: 10 kg
- **Max. user weight: 130 kg**



## PERFECT FOR EVERYDAY USE!





# DETAILS AT A GLANCE



**Small details make a big difference:** The easy-to-fold footrests and lockable wheels provide everyday assistance. **Click and go:** Parts such as the rotatable seat and the footrests can be clipped on without the need for tools – quickly and conveniently.

## JUNO IN ACTION MOVE EFFORTLESSLY.



## SPACE-SAVING IN THE HOME ...



## ... AND IN THE CAR!



## UNIQUE FOLDING FUNCTION!

**The only one of its kind:** With its foldability, the Juno leaves the competition far behind and makes the ideal companion – wherever you go!



Rubber seat panel, closed  
**Article no.: Z-52848-11**



PU seat panel, closed, height: 16 mm  
**Article no.: Z-52848-12**



PU seat panel with opening, height: 16 mm  
**Article no.: Z-52848-13**



PU seat panel with opening, height: 50 mm  
**Article no.: Z-52848-14**



PU seat panel with opening, small, height: 15 mm  
**Article no.: Z-52848-15**



PU backrest cushion  
**Article no.: Z-52848-16**



PU armrest cushion set  
**Article no.: Z-52848-17**



Showerhead bracket  
**Article no.: Z-52848-18**



Rectangular commode pan  
**Article no.: Z-52848-19**





COMMODE AND SHOWER WHEELCHAIR  
**JUNO**

 CARELINE



REQUEST YOUR  
**FREE CARELINE**  
CATALOGUE  
**NOW**



YOUR EFFICIENT PARTNER  
IN CARE

CARELINE.de

Headquarter: CARELINE GmbH & Co. KG | Ottostr. 11 | 41540 Dormagen | T +49 2133 2223-346 | F +49 2133 2223-399 | reha@careline.de