

# Product overview

**CANTO**<sub>next</sub> **MATRIX**

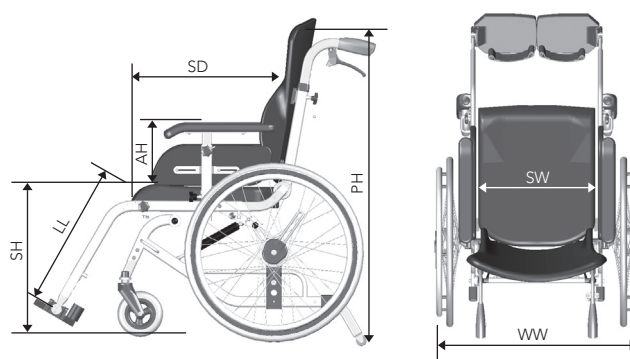
## Canto Nxt Trippel & Manual wheelchair - Basic model

Push-handles	Standard push-handles
Seat width	37 cm (33...41 cm)
Seat depth	42 cm
Seat angle adjustment range	-5 - 25°
Seat height	42 cm (6"/20")
Type of rear wheels	Semi-solid tyres
Type of brakes	Integrated braking hubs with brake levers
Legrests	Footrest + heel strap
Seat	Standard seat
Backrest	Anatomical backrest
Armrests	Height-adjustable armrest, upholstered + side cushion
Headrest	None



## Specifications

Abbr.	Measurement points	Specifications
SW	Seat width	37 / 42 / 47 / 52 cm (± 4 cm)
SD*	Seat depth	42 - 56 cm
SH*	Seat height	42 / 44,5 / 47 / 49,5 / 52 / 54,5 / 57 cm
AH	Armrest height	18 - 27 cm (6 positions)
PH	Push handle height	PH dependent on SH
WW	Width of wheelchair (including integrated braking hubs with brake levers)	SW + 28 cm
WW	Width of wheelchair (including wheel brake)	SW + 26 cm
LL	Lower leg length:	
	Footrest	38 - 48 cm / 45 - 60 cm / 53 - 68 cm
	Comfort legrest	38 - 48 cm / 43 - 58 cm / 53 - 68 cm
	Central legrest	38 - 54 cm / 49 - 66 cm
	Seat angle adjustment	-5 - 25° / 0 - 30°
	Backrest angle adjustment	0 - 180° (single adjustability) 85-125° (continuous adjustability)
	Total weight	38 kg
	Maximum user weight	150 kg



\* Seat height and depth measured with standard seat and anatomical backrest, see Matrixx measurement sheet for other configurations.



# Product overview

## Contact details

Dealer's name \_\_\_\_\_  
 Contact \_\_\_\_\_  
 Date \_\_\_\_\_  
 Order number \_\_\_\_\_

## Basic model

Canto Nxt Trippel & Manual wheelchair  
 Equipped with adjustable tilt (seat angle adjustment range 30°), push-handles adjustable in height, adjustable seat width, seat depth and seat height, height-adjustable armrests, integrated trap caps, upholstered + side cushions, Midnight blue upholstery, brakes, semi-solid front tyres, integrated trap caps, anti-tipping supports<sup>1</sup> and taxi attachment for four-point securing system<sup>2</sup>. Frame colour Midnight blue.

Please tick what is required! The options listed may be subject to an additional charge.

## Push-handles

- Standard push-handles
- Angle-adjustable push-handles

## Seat width<sup>3,4</sup>

- 37 cm (33...41 cm)       42 cm (38...46 cm)
- 47 cm (43...51 cm)       52 cm (48...56 cm)

## Seat depth<sup>4,5</sup>

- 42 cm       44 cm       46 cm       48 cm
- 50 cm       52 cm       54 cm       56 cm

## Seat angle adjustment range

- 5 to 25°
- 0 to 30°

## Seat height<sup>6</sup>

- 6"      42 cm      (20")
- 6"      44,5 cm      (20")
- 6" 8" 47 cm      (22")
- 6" 8" 49,5 cm      (22")
- 6" 8" 52 cm      (24")
- 6" 8" 55 cm      (24")
- 6" 8" 55 cm      (26")
- 8" 57 cm      (26")

## Rear wheels

- Semi-solid tyres
- Pneumatic tyres
  - Hoop covers
  - Spoke protectors

## Brake options

- Integrated braking hubs with brake levers<sup>6,7</sup>
- Wheelbrake - standard<sup>8</sup>
- Wheelbrake - extended<sup>8</sup>
- L R Single-hand tyre brake system<sup>7</sup>

## Backrest angle

- Single adjustability
- Continuous adjustability<sup>10,11,12</sup> (range seat angle 22°)

## Legrest

- L R Footrest + heel strap
  - Padded calf strap<sup>13</sup>
  - Continuous foot plate      Folds out to: L R
- L R Comfort legrest
- L R Heel strap
- L R Knee cushion
- L R Knee angle control by means of gas spring<sup>14</sup>
- Central legrest
  - Lower leg length:
    - Standard (LL = 38 - 54 cm)
    - Extended (LL = 49 - 66 cm)
    - Width-adjustable side panels for central legrest
    - Calf plate depth setting for central legrest
- L R Amputation support
  - Length 25 cm
  - Length 40 cm
  - Terry cover amputation support      ..... pcs
- L R Plaster cast support<sup>15</sup>
- L R Pes equinus cushion as part of plaster cast support
  - Terry cover pes equinus cushion      ..... pcs

## Seat<sup>2</sup>

- Standard seat
- Memory foam seat
- Plank seat
  - Tuber opening for Plank seat
  - Front rim h= 5 cm for Plank seat
  - Front rim h= 8 cm for Plank seat
- Contour seat
- Contour+ seat
- Support seat

## Backrest<sup>2</sup>

- Soft backrest
- L R Torso support
- Anatomical backrest
- Comform Xtra backrest - stretch fabric
- Comform Xtra backrest - stretch rubber
  - Lumbar support Comform Xtra backrest
- Invito backrest       BH 50       BH 60
- Comfit backrest       BH 50       BH 60
  - Cover Comform/Invito/Comfit backrest<sup>16</sup>      ..... pcs.
- Tracix backrest
- Bendix backrest<sup>15</sup>
  - Terry cover Bendix/Tracix backrest      ..... pcs.
- L R Flex arm support for Bendix backrest<sup>16</sup>
- L R Terry cover Flex arm support      ..... pcs.
- Headrest adapter<sup>2</sup>

## Armrest

- L R Pur armrest
- L R Padded armrest
- L R P-shaped armrest
- L R Hemiplegia armrest rotatable

## Headrest<sup>2</sup>

- Standard headrest small
- Standard headrest
- Flexible headrest
- Snellius headrest<sup>16</sup>
  - Extra link for standard headrest bracket<sup>17</sup>
- Snellius headrest with Edison mechanism<sup>16</sup>
- Kelvin headrest small with Edison mechanism<sup>16</sup>
  - Terry cover for Kelvin headrest small      ..... pcs.
  - Terry cover for Snellius headrest      ..... pcs.

## Worktop<sup>18</sup>

- Perspex worktop
- Trespa worktop
  - Elbow cushions
- L R College Perspex worktop

## Accessories

- Xtra safe adapter for anti-tipping supports<sup>19</sup>
- Abduction block<sup>20</sup>
- Seat belt



## Product overview

### Explanation

- 1 In connection with preventative safety, anti-tipping supports are supplied as standard
- 2 Canto Nxt is crash test-proof conform ISO 7176-19. In connection with preventative safety Life & Mobility advises a Matrixx headrest during transport of the user
- 3 Here, the wheel size & seat angle adjustment can form a limitation
- 4 Some size combinations could have a longer delivery time
- 5 For the right seat height and depth, please consult Matrixx Measurement Sheet
- 6 In combination with padded armrests
- 7 Integrated braking hubs with brake levers not possible with 26" wheels
- 8 In combination with PUR armrests
- 9 Max. user weight 125 kg
- 10 Not possible in combination with single-hand tyre brake system
- 11 In connection with preventative safety, the rear wheels will be assembled in the back position
- 12 Not possible in combination with angle-adjustable push-handles or Tracix backrest
- 13 Delivery time on demand
- 14 Gas spring adjustment is only possible i.c.w. braking hubs with brake levers
- 15 Left + right plaster cast support only available from seat width 47 cm
- 16 Only available in black
- 17 To increase the headrest range
- 18 Worktop not available i.c.w. hemiplegic armrest
- 19 With the Xtra safe adapters for preventive safety the anti-tip support can be fitted further to the back
- 20 Only available in combination with standard or memory foam seat

For changes to the options specified above, please refer to the supplementary order form for alterations.