

# Francis AV 4.0

COMBO COUCH



COUCHES

Usò Frequente

Gynecology  
Urology  
Ambulatory  
Ultrasound diagnostic  
Infirmary  
Emergency  
Endoscopic  
examinations  
Minor surgery



## 2 in 1 Couch

### VERSATILITY & SAFETY

multifunction device for  
specialistic activities



[www.gardhenbalance.it](http://www.gardhenbalance.it)



# VERSATILE & SAFE

The **multifunctional examination table** is extremely versatile and it can be used for a wide range of specialist visits. Thanks to its three sections, it is possible to adjust the position of the patient in order to ensure greater comfort during visit. Furthermore, the robust construction and solid design of the bed ensure the safety of the patient during medical manoeuvres.

## 3 SECTIONS

Patient's surface in 3 sections, two of them are electrically adjustable through electric actuators..

## RELEASE LEVERS

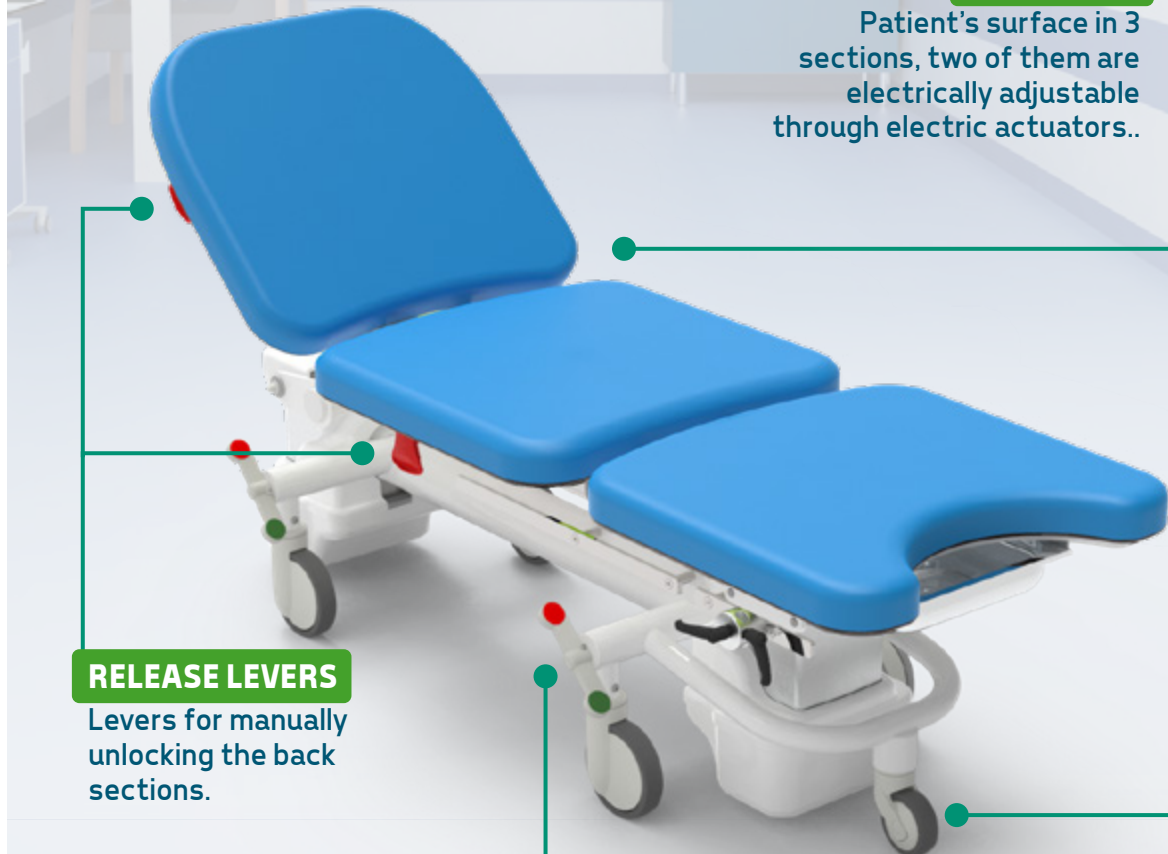
Levers for manually unlocking the back sections.

## CENTRAL BRAKE

Braking system with bilateral levers for the activation of the directional system.

## WHEELS

Ø 150 mm swivable wheels and 5th wheel Ø 100 mm to move easily the device from place to place.





Furthermore this device was also designed for **gynecology**, it will only take to equip the device with the following accessories: Stirrups and stainless steel bowl for gynecological visits. The stirrups are extremely ergonomic and having also levers for manual and quick adjustment. The tray is made out of stainless steel. It ensures easy cleaning and disinfection, making it safe and durable over time.

### MIDDLE SECTION

Electrically adjustable section to have a perfect patient's positioning.

### STIRRUPS

Located on DIN bars and manually adjustable.

### STAINLESS STEEL TRAY

Removable and easy to sanitize.



## Standard features

- The lying surface is divided in 3 sections.
- Reinforced frame, made out in steel painted with epoxy paint enriched with antibacterial. The colour is customizable upon request.
- The backrest can be adjusted from 0° to 70° electrically.
- The middle section can be adjusted from 0° to 70° electrically.
- Motorized height adjustment through electric columns.
- Motorized Trendelenburg and reverse Trendelenburg through telescopic columns with rectangular section - Equipment code AC152.
- Quick release of the backrest, it allows to perform the cpr manoeuvre - Equipment code AC8L.
- 150 mm antistatic and swivable wheels. The directional braking system can be activated by bilateral pedals;
- 5a wheel diameter 100 mm which provides greater stability and improves the directionality of the device when transporting the patient from one department to another. It facilitates thrusting and driving, reducing the effort required to move.
- Centralized directional braking system made out in galvanized steel - Equipment code AC7L2G.
- Leg pads on DIN bar - Equipment code AC110/1
- Removable stainless steel tray for the collection of organic waste. - Equipment code AC155.
- Upholstery: with anti-bacterial properties, flame retardant class 1IM, antimicrobial, ecologic, latex free, phthalate free. Resistant to: alcohol, sodium hypochlorite max 5%, a wide range of common used detergent, liquid and other biological fluids - Equipment code AC87/1.
- High density expanded foam mattress.
- Handset with 8 buttons for the activation of the motors.
- Handset's inhibition key - Equipment code AC34L.
- Equipotential node.



### Do you want to implement the device?

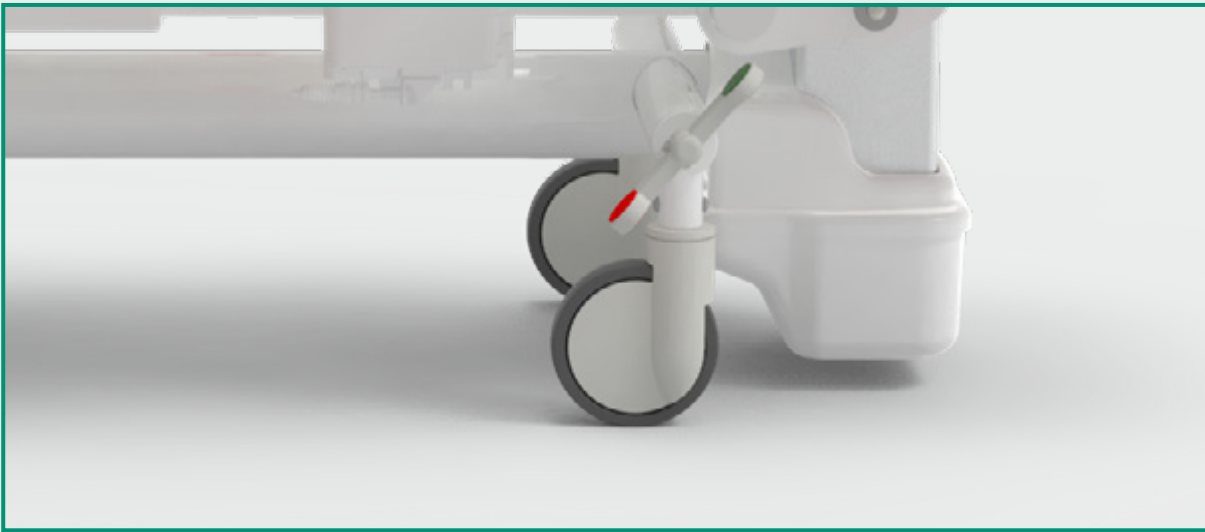
Scan the QR code and check out the entire range of accessories available for this device.





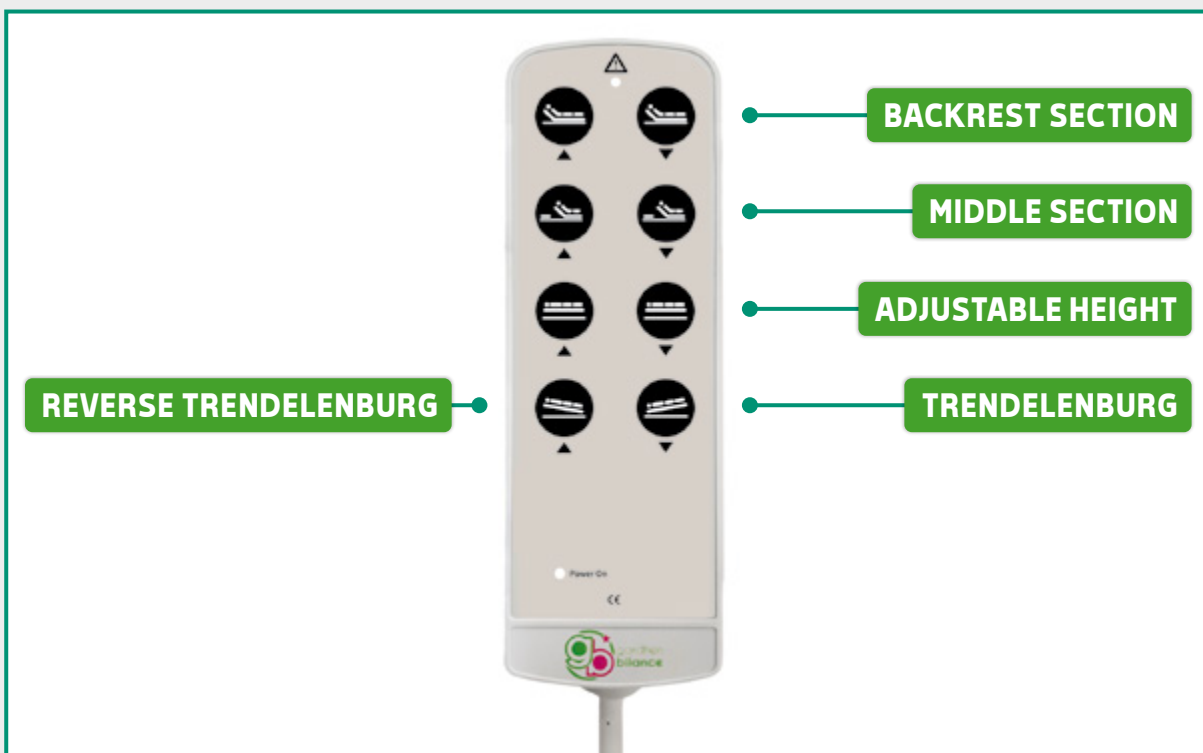
## Braking system

Centralized directional braking system made out in galvanized steel, it can be activated through bilateral pedals - Equipment code AC7L2G..



## 8 buttons handset

Couch's movements are controlled by a handset with a 3,5mtl coiled cable; For patient's safety purpose the handset is provided with an inhibition key, code AC34L. The handset is user friendly and has visual pictograms useful for partially sighted person. Insulation IP66.





## Stainless steel tray

The tray can be easily removed from the couch for cleaning and sanitizing, ensuring the proper safety standard to every patients. Since stainless steel is a strong and durable material, it can withstand intensive use without deteriorating or rusting.

Can be used to collect liquids, waste and other materials during gynecological procedures - Equipment Code AC155.



## Middle section

The electrically adjustable mid-section allows the nursing staff to adjust the patient's position for a better view and easier access to the area of interest. This can also be extremely useful for inspection and biopsy procedures where clear view and easy access are essential.





# Movements



**TRENDELENBURG 16°**



**REVERSE TRENDELENBURG 16°**





## Movements



**ADJUSTABLE HEIGHT**



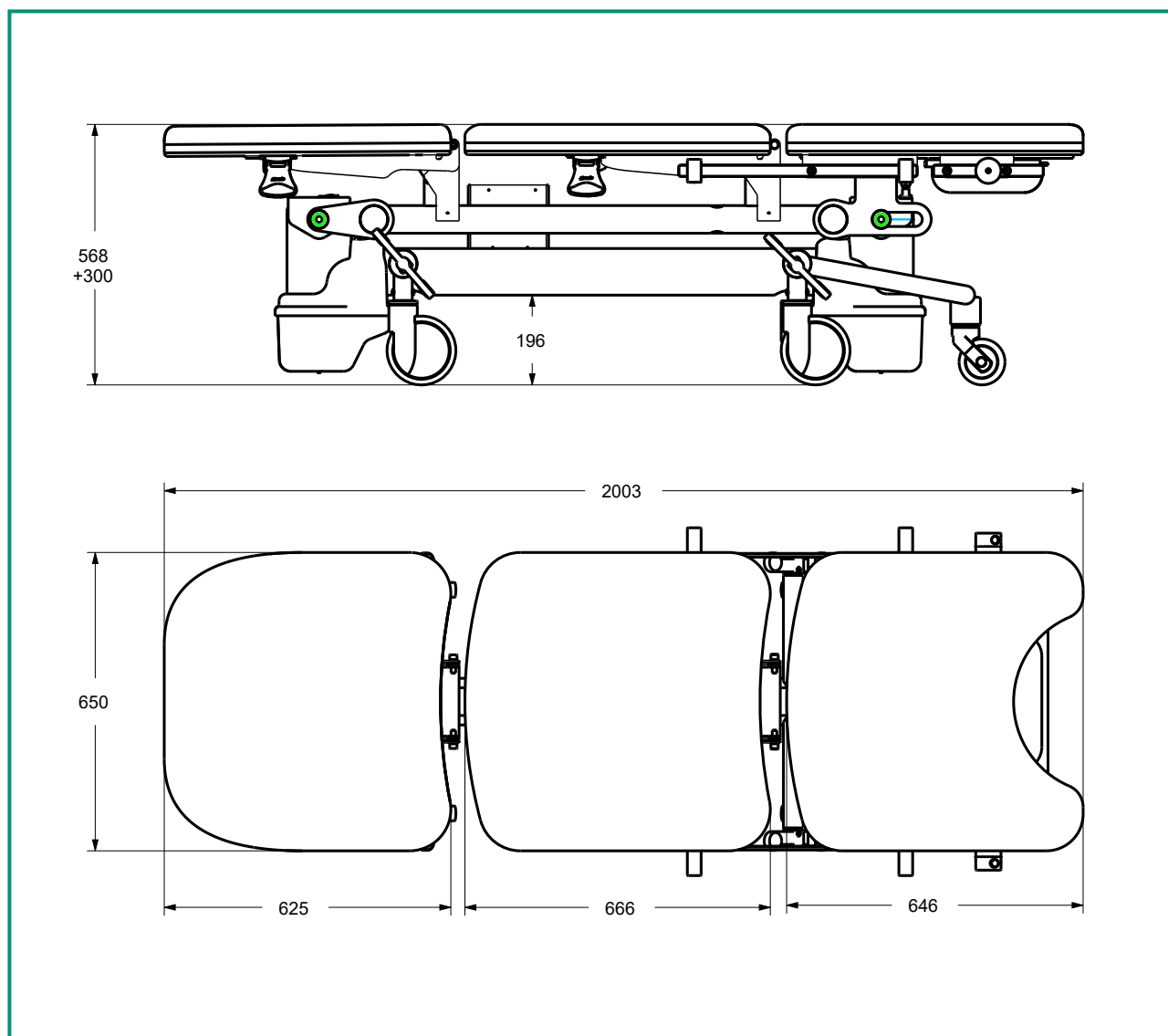
**GOOD POSTURE FOR MANY CLINICAL NEEDS.**

**MICROMETRIC ADJUSTABLE SURFACE THROUGH A SPECIAL HANDSET.**





## Dimensions



**Do you want to choose the colour of the frame?**

Scan the QR code to check out the entire range of colours available for this device.



## Technical sheet

GMDN Code	<b>34134</b>
ID Code	<b>GB0038.SP-4</b> Painted steel
Inteded use	Multifunctional couch
Manufacturer	GARDHEN BILANCE SRL
Spare parts availability	10 years
Overall weight	80 kg
Wheels	Wheels Ø 150 mm with central brake and directional system activated through bilateral pedals
Controls	Handset with key
Power	Multitension 100-240 Vac 50-60 Hz
Main cord	Schuko or others upon request
Electric motors	Low voltage (24 V)
Max electrical input	4A
Insulation	IP44
Max load capacity	200 kg
Safety working load	235 kg

## Power cord type



Type F - Schuko



Type L - 16A



Type I - Australia



Type B - Canada and USA



Type B - Canada and USA

## Gardhen Balance S.r.l.

Via G. Luraghi c/o Consorzio Il Sole - lotto 5 - 80038 Pomigliano d'Arco (NA) - Italia

Tel. +39.081.8692160 pbx - Fax +39.081.8692460

E-mail: [info@gardhenbilance.it](mailto:info@gardhenbilance.it) - PEC: [gardhenbilance@pec.it](mailto:gardhenbilance@pec.it)

Visita il nostro sito [www.gardhenbilance.it](http://www.gardhenbilance.it) / Segui su     

Pictures contained in this brochure is for illustrative purpose only. The manufacturer reserves the right to modify the projects without notice. For accessories identification please refer to the accessory catalogue or commercial offer. When data are different please refer to commercial offer.

Dep. EN\_306 rev. 27/02/2023