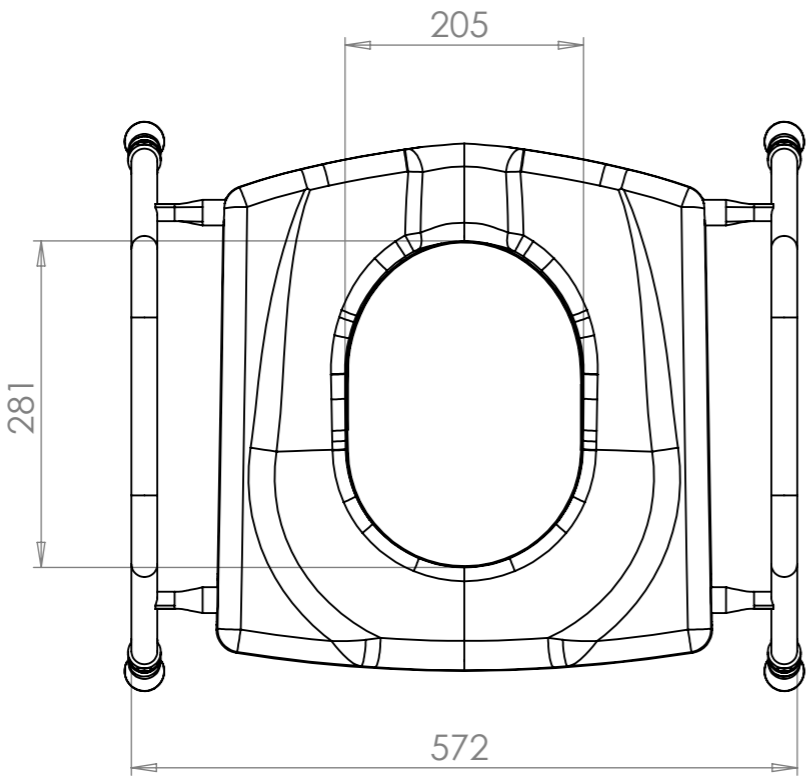
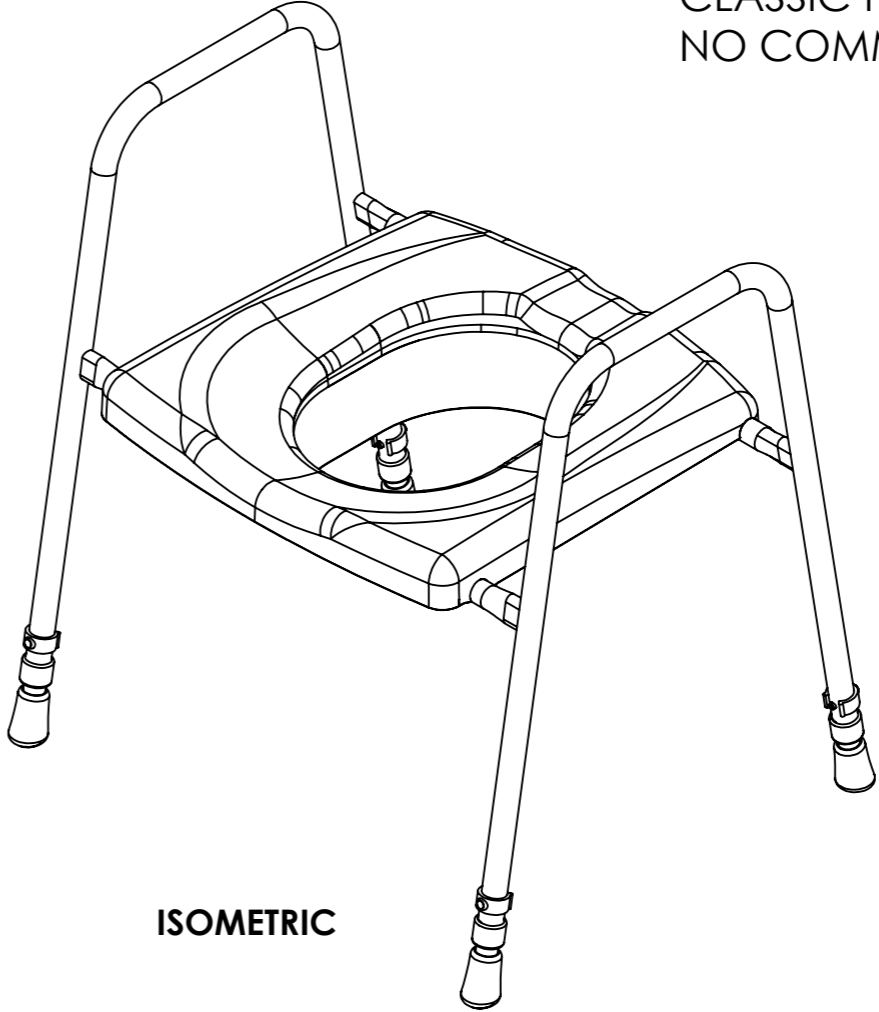


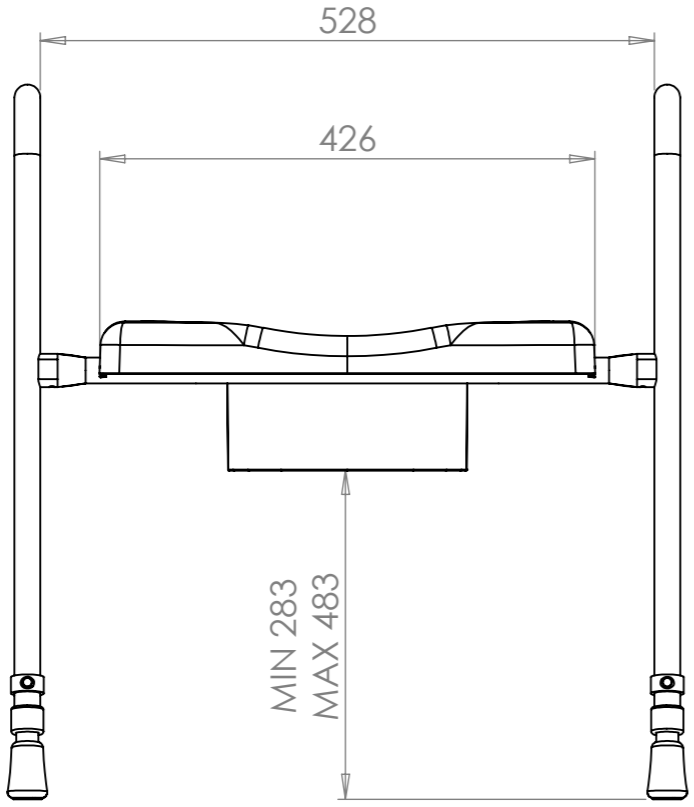
CLASSIC FRAME WITH SUPERIOR SEAT.
NO COMMUNE FEATURES.



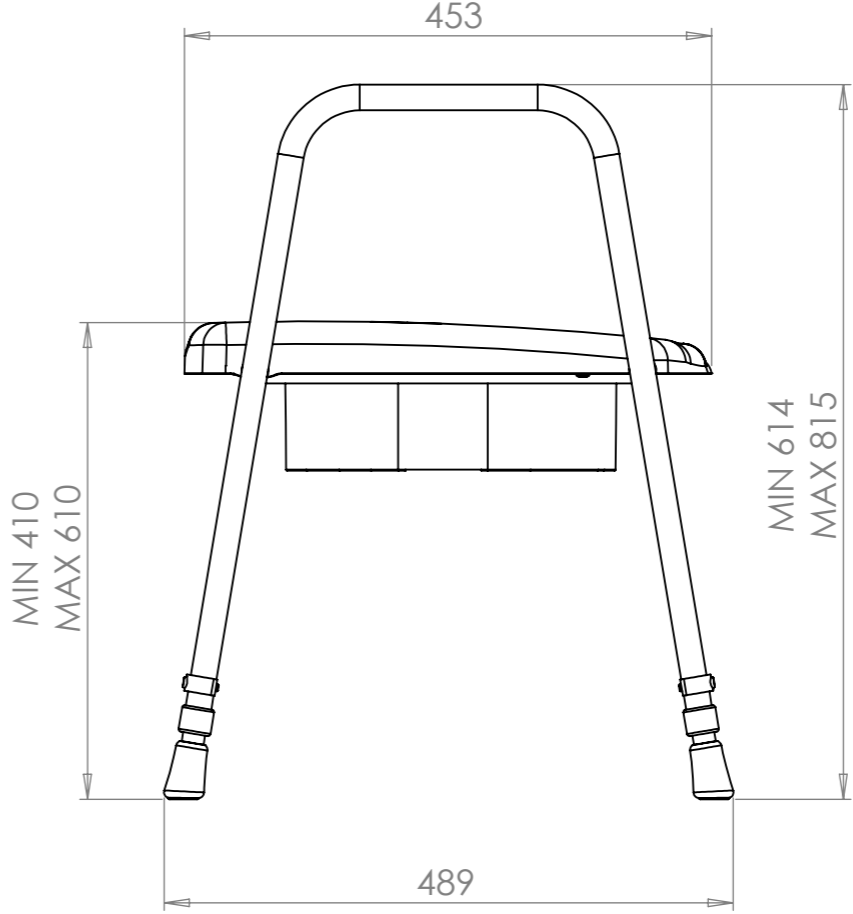
TOP



ISOMETRIC



FRONT



SIDE