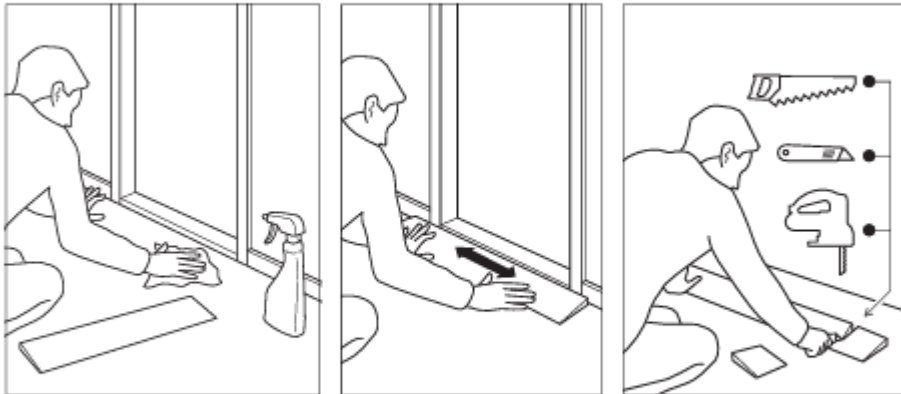
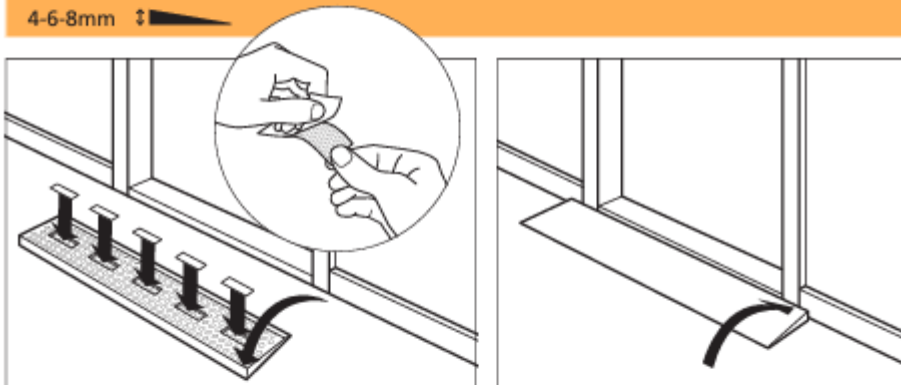


## Quickguide – Quickramper

### INSTALLATION



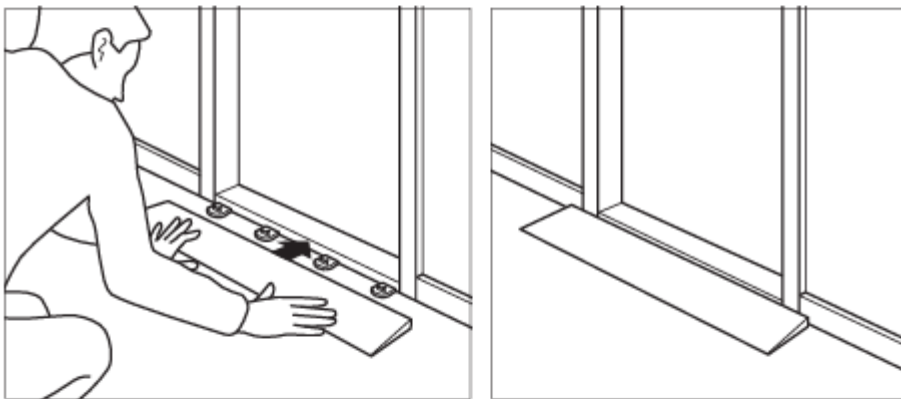
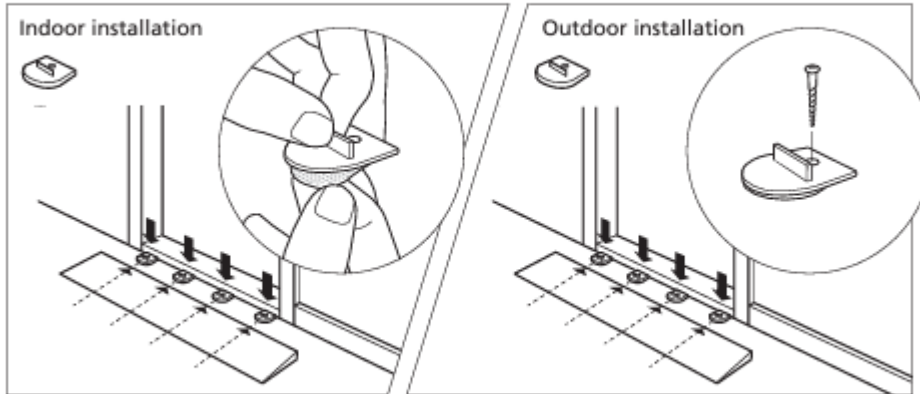
4-6-8mm ↘



10-60 mm ↘



## INSTALLATION



### Dismantling

