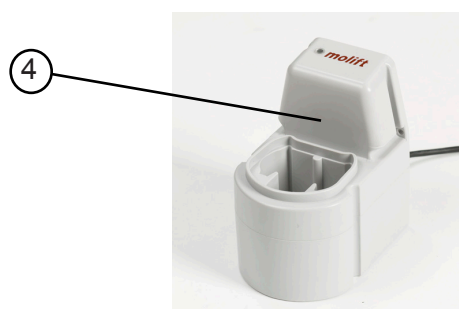
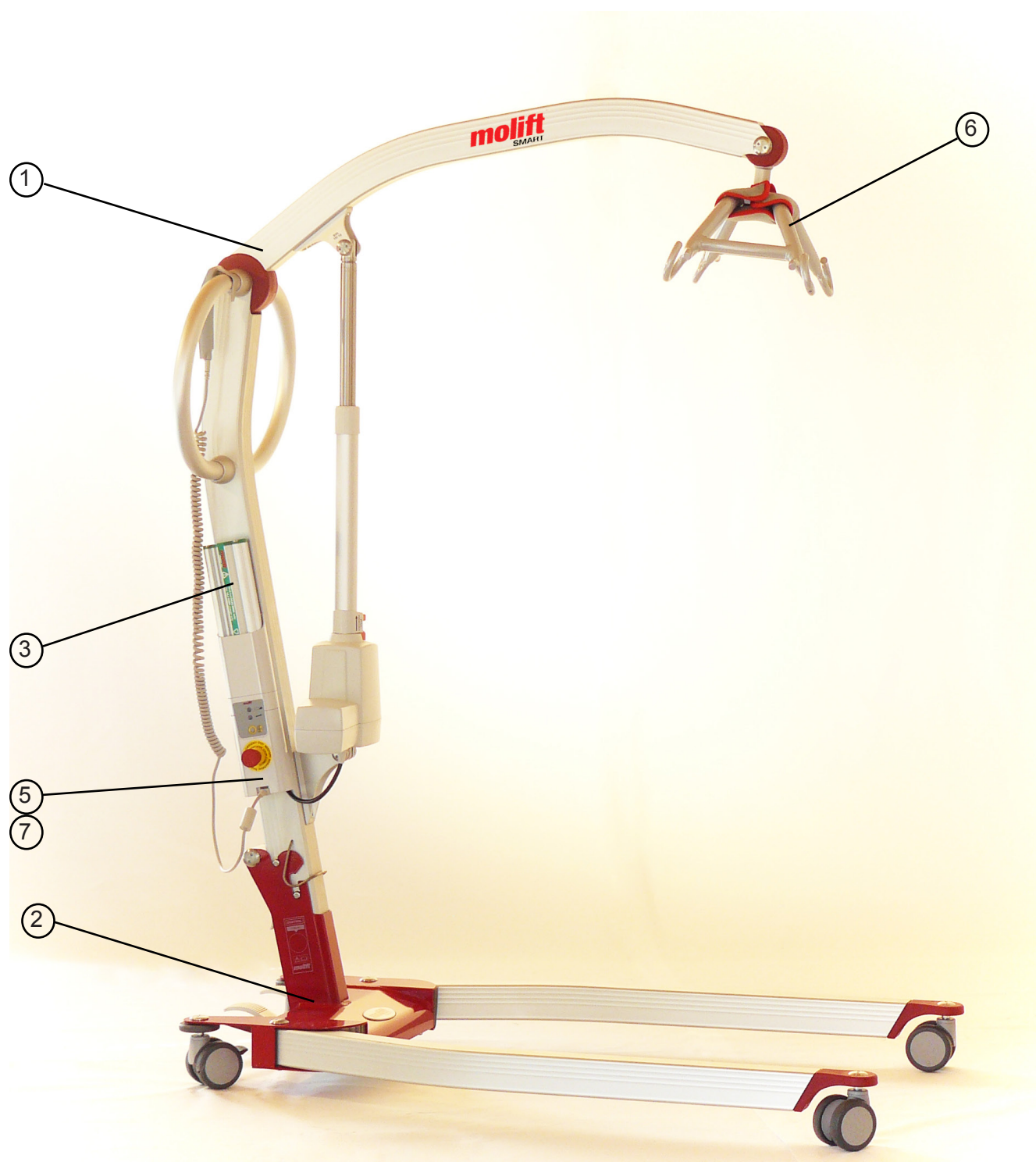
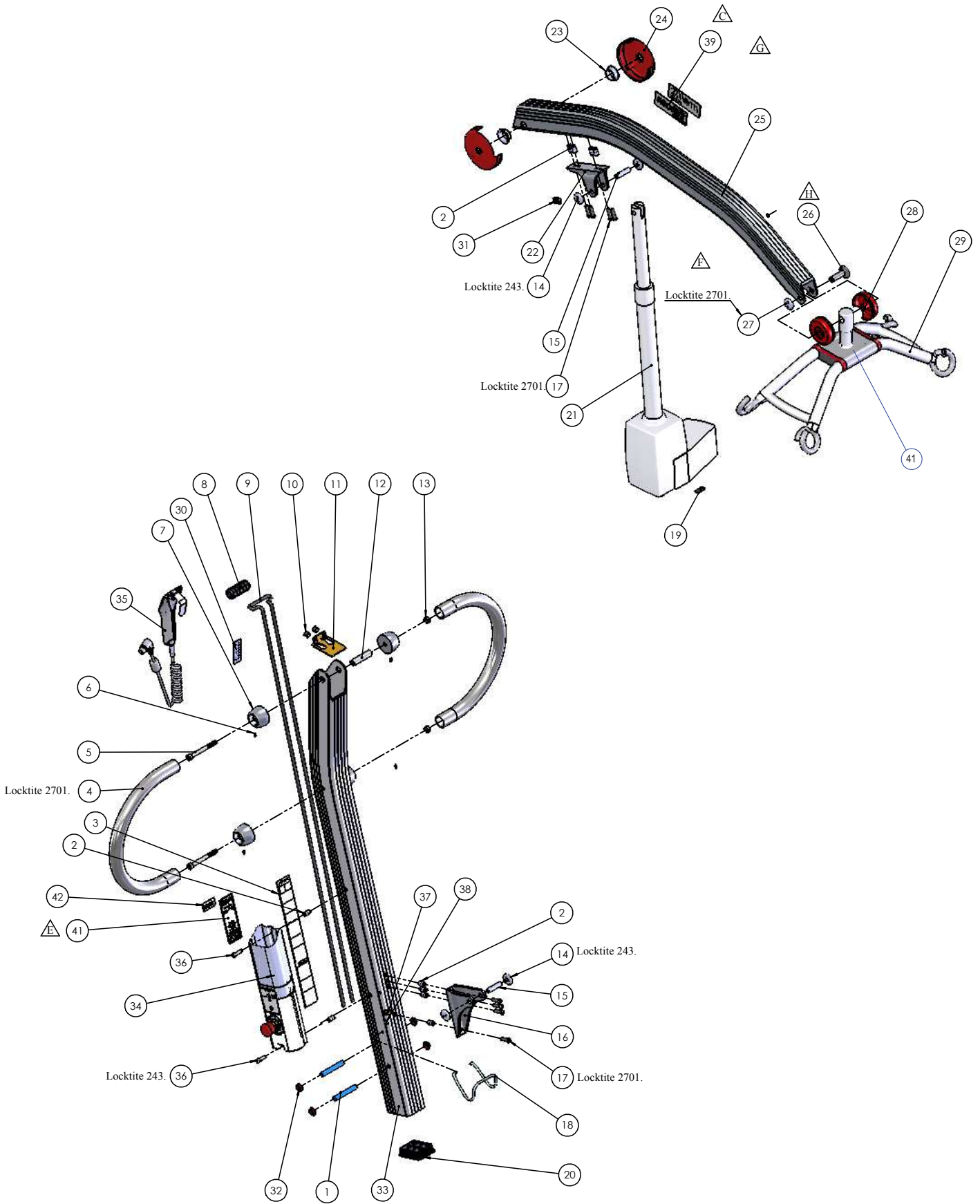


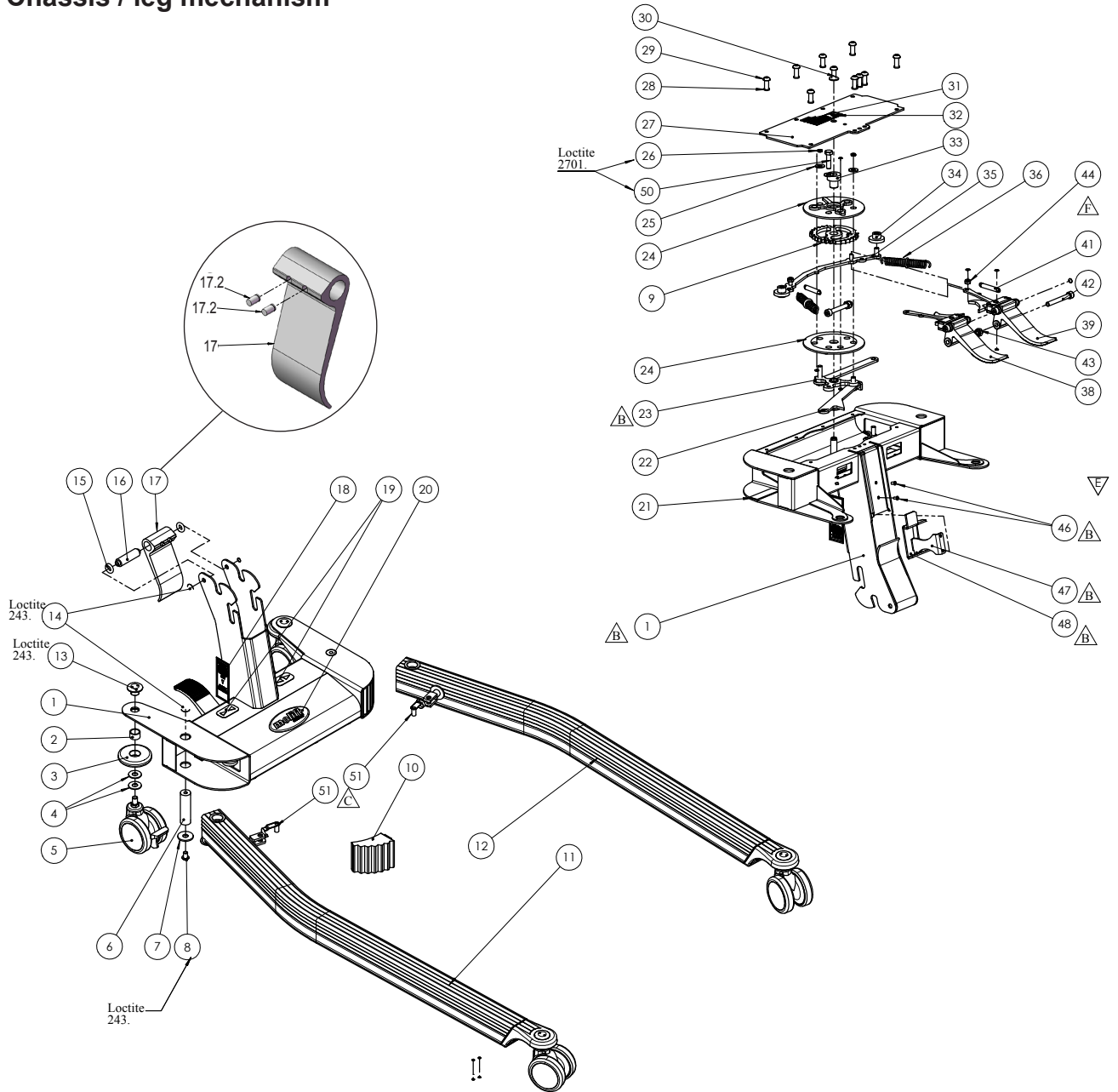
Main components



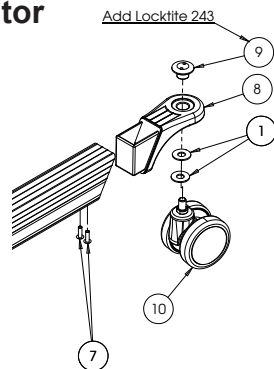
Column and lifting arm



Chassis / leg mechanism



C1 Bracket with front castor



Battery holder / electronics

