

PARTS LIST

Sara Flex



General information

Note. Blue text indicates changes compared to previous manual.

How to order


Before ordering spare parts study the exploded view closely and make sure that you note all involved spare parts.


When taking contact with Arjo Parts sales always have the following information at hand:




- Correct name of the product. See type label.
- The serial number of the product. See labels

REF HEB0000 ————— Product Code

SN XXXXXXXXX ————— X=Consecutive Number

 ArjoHuntleigh AB
Hans Michelsensgatan 10
211 20 Malmö, SWEDEN
www.arjo.com
2019-09-18

 (01)05056097354941
(11)190918
(21)XXXXXXXXXX

   Made in Canada

001-27017 REV 2

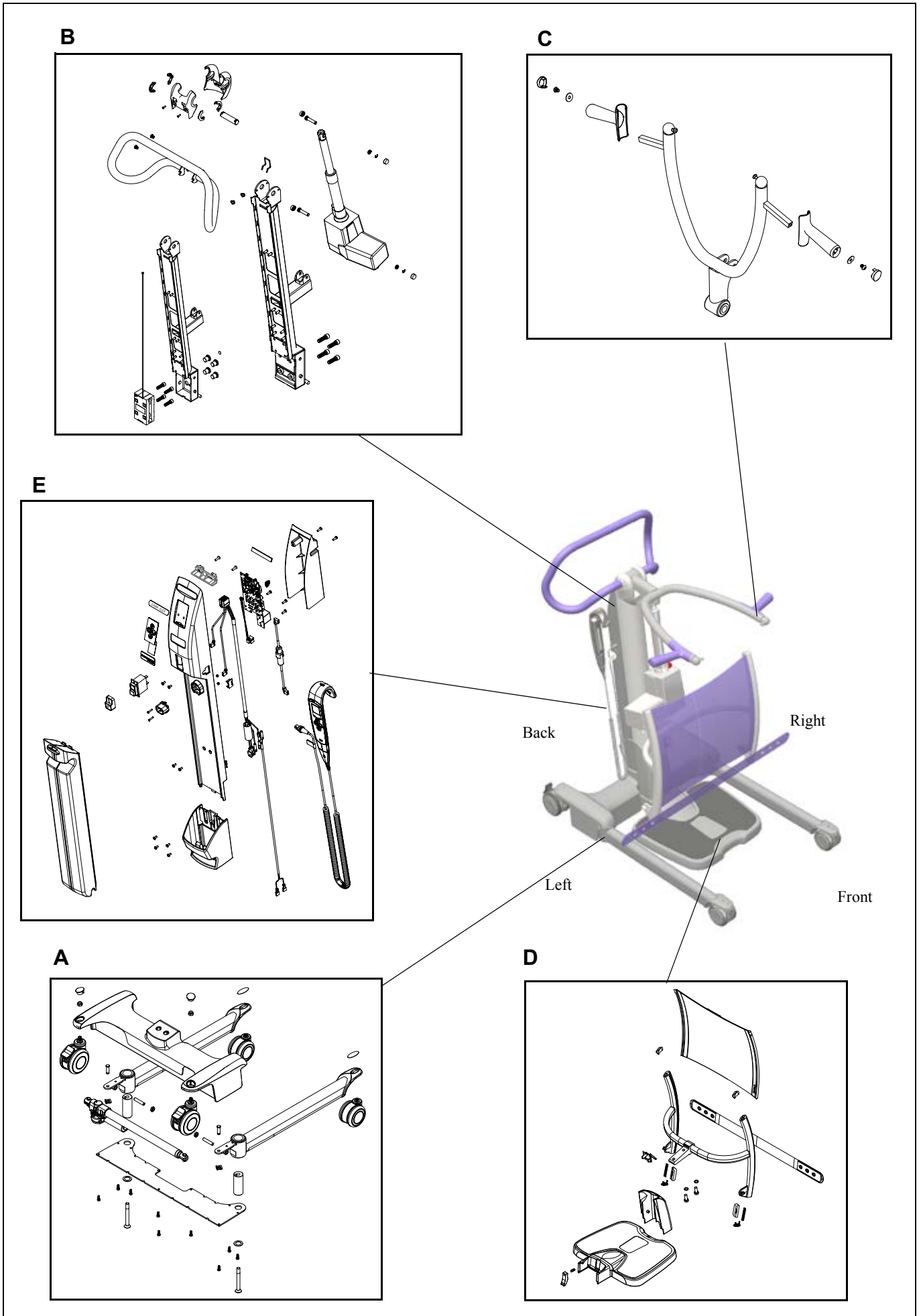
Contents Sara Flex

Overview	4
A Base	6
B Mast	8
C Lifting Arm	10
D Foot Plate, Leg Support and Leg Strap	12
E Control Box, Battery Charger/Battery	14
Preventive Maintenance Parts/Recommended Spares	16
Service Articles and Special Tools	17

Overview

Pos	Description	See page
A	Base	6
B	Mast	8
C	Lifting Arm	10
D	Foot Plate, Leg Support& Leg Strap	12
E	Control Box, Battery Charger/Battery	14

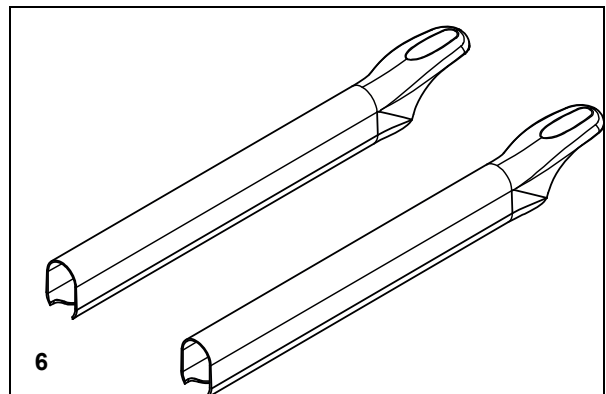
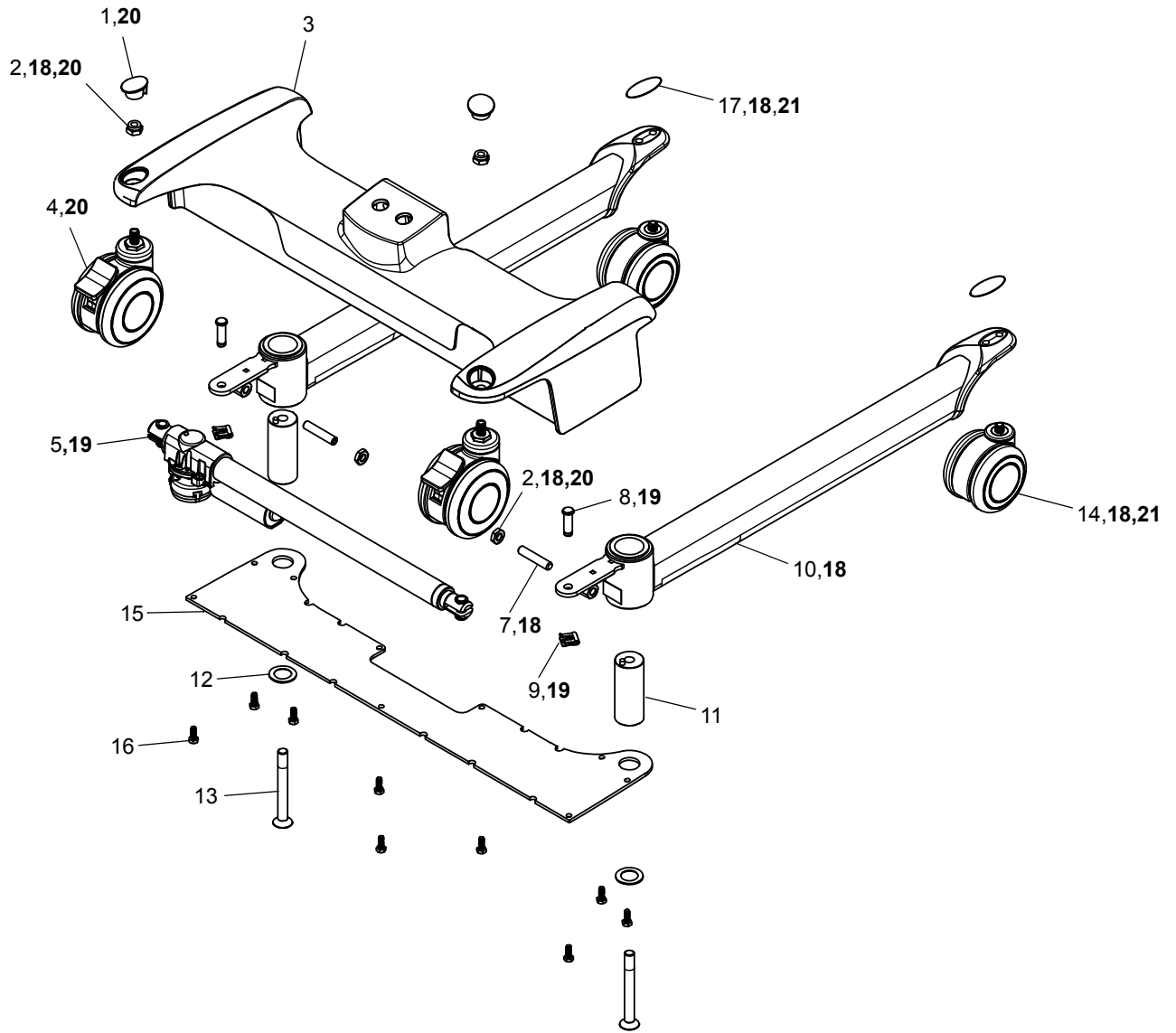
Overview



A**Base**

Pos	Art. No.	Qty	Description	From ser. No.	Up to ser. No.	Remarks
1	AH1003046	2	Rear Plastic Cap			
2	000.04400	4	Nut M10 Zn			
3	AH1001251	1	Base			
4	000.20485	2	Caster with brake 100mm			
5	AH1003218	1	Chassis Actuator Linak LA28			
6	700-27034	1	Leg Cover Kit			Accessory
7	000.04275	2	Set screw M10x50 Zn			
8	200.25059	2	Clevis Pin			
9	JX68800-00	2	Safety Fastener			
10	AH1001017	2	Leg			
11	AH1001052	2	Leg Pivot			
12	AH1001053	2	Washer, Leg Pivot			
13	AH1001039	2	Screw M12x105 ZP Adh.			
14	000.20475	2	Caster 86mm			
15	AH1001049	1	Backing Plate			
16	000-03090	9	Screw M6x16 Hex Adh.			
17	001-12302	2	Tip Sticker			
18	700-27028	1	Leg Kit (Two legs incl. casters)			Incl. pos 2, 7, 10, 14, 17
19	700-27032	1	Actuator Chassis Kit			Incl. pos 5, 8, 9, E23
20	700-27024	1	Rear Caster Kit (Two casters)			Incl. pos 1, 2, 4
21	700-27026	1	Front Caster Kit (Two casters)			Incl. pos 14, 17

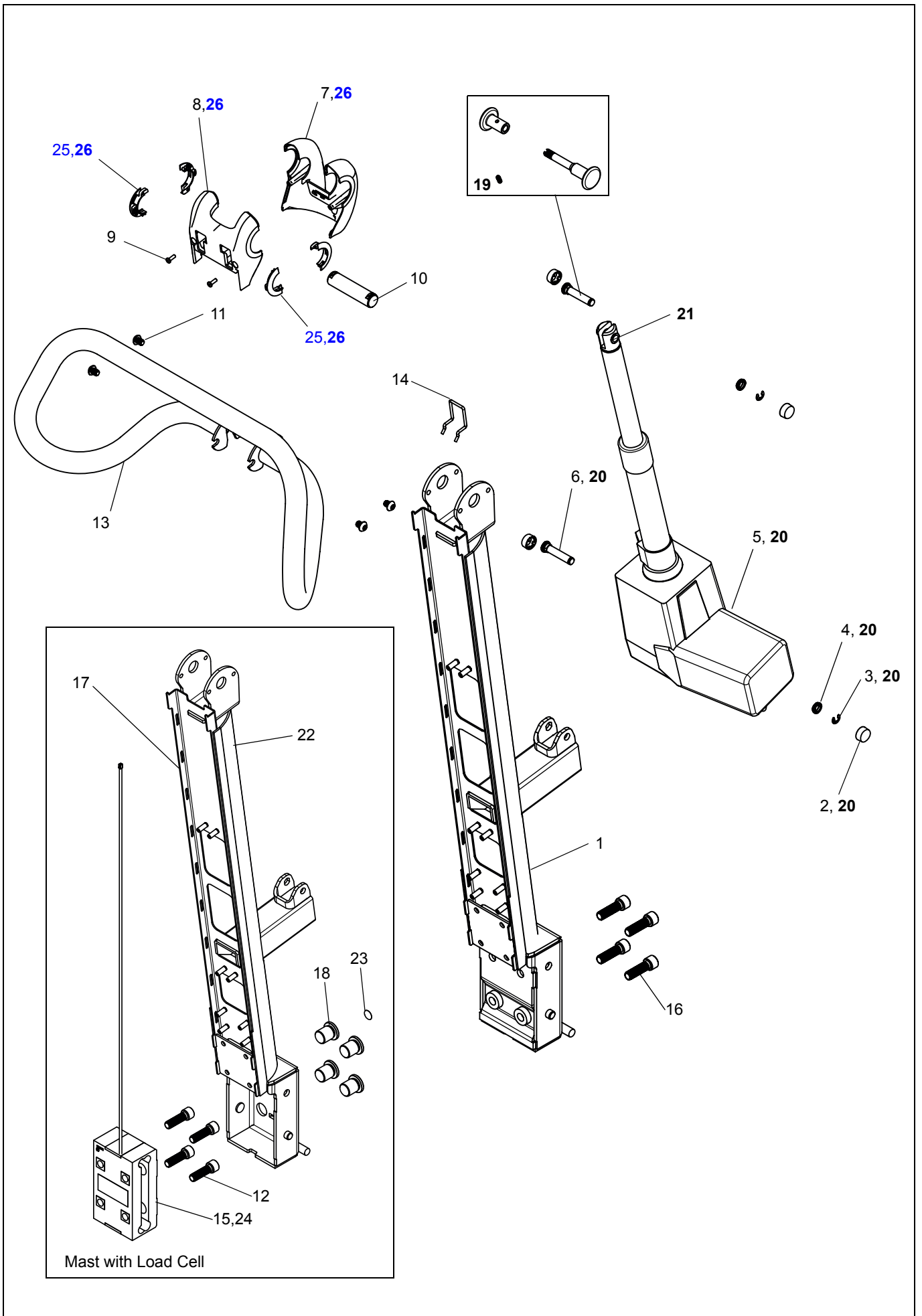
A



B*Mast*

Pos	Art. No.	Qty	Description	From ser. No.	Up to ser. No.	Remarks
1	AH1002790	1	Mast			
2	AH1001290	4	Pin Cap Actuator			
3	KPX67210.0	2	E-clip			
4	AH1001292	2	Bushing Pin Snap			
5	AH1001064	1	Lifting Arm Actuator			
6	AH1001054	2	Actuator Pin			
7	AH1003008	1	Mast Cover front			
8	AH1003009	1	Mast Cover back			
9	000.02480	2	Screw 4.0x12 plastite			
10	AH1000756	1	Pivot 20mm			
11	000-00768	4	Screw M8x10 button head			
12	000-00972	4	Screw M12x40 Class 12.9			
13	AH1002975	1	Maneuvering/Caregiver Handle			
14	AH1007409	1	Spring Back, lifting arm			
15	AH1011593	1	Load Cell for HEB1000-XX			
16	AH1005237	4	Screw M12x40 SOC ZP			
17	AH1000714	1	Mast with Load Cell			
18	AH1001005	4	Fixation Screw M22			
19	700-27041	1	Central Hook Kit			Accessory
20	700-27039	1	Lift Actuator Kit			Incl. pos. 2-6. Bushing Kit pos 21 included in actuator.
21	700-34040	1	Lift Actuator Bushing Kit			4 parts
22	001-00961	1	Scale option sticker			
23	001-00397	1	Label "Void if broken"			
24	AH1015625	1	Load Cell for HEB2000-XX			
25	AH1022425	4	Spacer Top Cover			
26	700-27048	1	Sara Flex Top Cover Kit			Incl. pos. 7, 8, 25

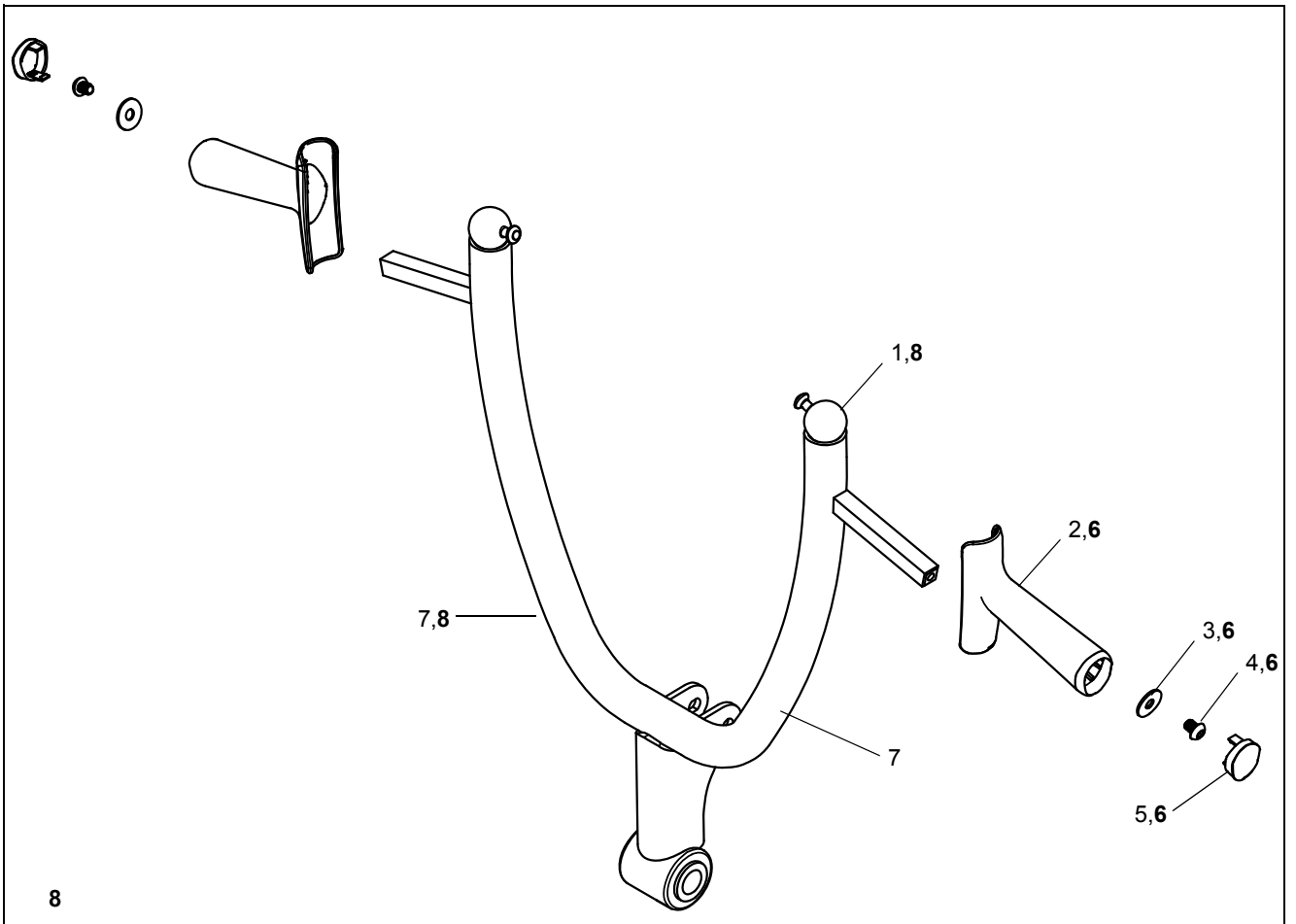
B



C*Lifting Arm*

Pos	Art. No.	Qty	Description	From ser. No.	Up to ser. No.	Remarks
1	AH1003276	1	Lifting Arm			
2	AH1001272	2	Handle, Lifting Arm			
3	000.03896	2	Flat Washer M8			
4	000-00768	2	Screw M8x10, button head			
5	AH1003057	2	Cap, Handle Lifting Arm			
6	700-27036	1	Handle Kit			Incl. pos. 2-5 (Two handles)
7	001-00956	1	Label SWL 200 kg			
8	700-27042	1	Moving Arm Kit			Incl. pos. 1-7

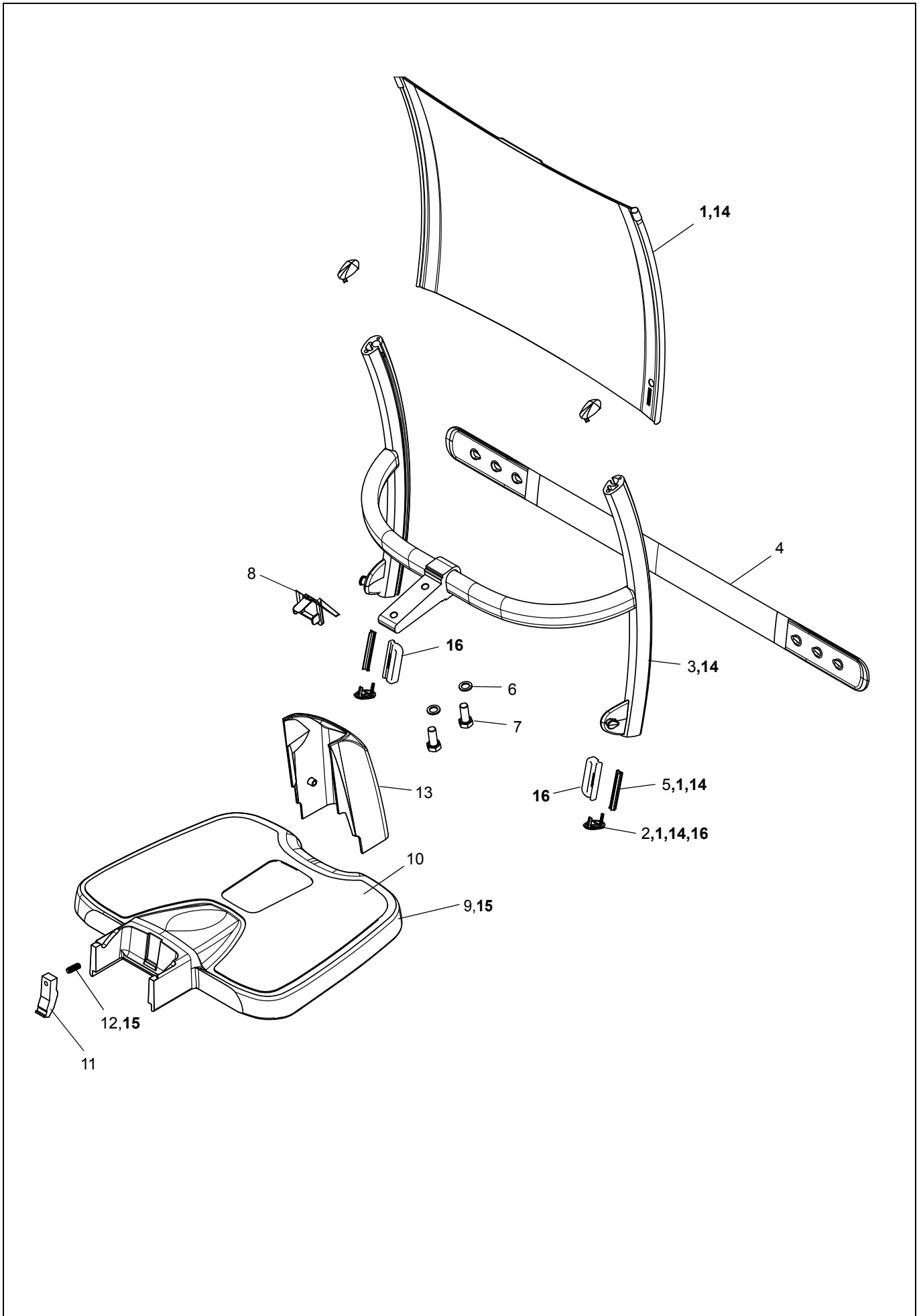
C



D *Foot Plate, Leg Support & Leg Strap*

Pos	Art. No.	Qty	Description	From ser. No.	Up to ser. No.	Remarks
1	700-27045	1	Leg Pad Kit (Sheet)			Incl. pos. 2,5 and Leg Pad AH1000484
2	AH1002863	4	Leg Pad Support Cap			
3	AH1002921	1	Leg Pad Support			
4	AH1003006	1	Leg Strap, silicone			
5	AH1003037	2	Leg Pad Support insert			
6	000.04750	2	Flat Washer M12 Zn			
7	000.04550	2	Hex M12x1.75x30 mm			
8	AH1003048	1	Mast Actuator Support Cap			
9	AH1001250	1	Foot Plate			
10	AH1003214	1	Foot Plate Anti Slip			
11	AH1005651	1	Foot Plate Anti Lift			
12	000-00983	1	Set Screw M8x25 Soc ZP			
13	AH1003075	1	Mast Cover			
14	700-27043	1	Leg Pad Frame Kit			Incl. pos. 1,2,3,5
15	700-27038	1	Foot Plate Kit			Incl. pos. 9-12
16	700-27044	1	Leg Strap Attach. Kit			Accessory. Incl. pos. 2

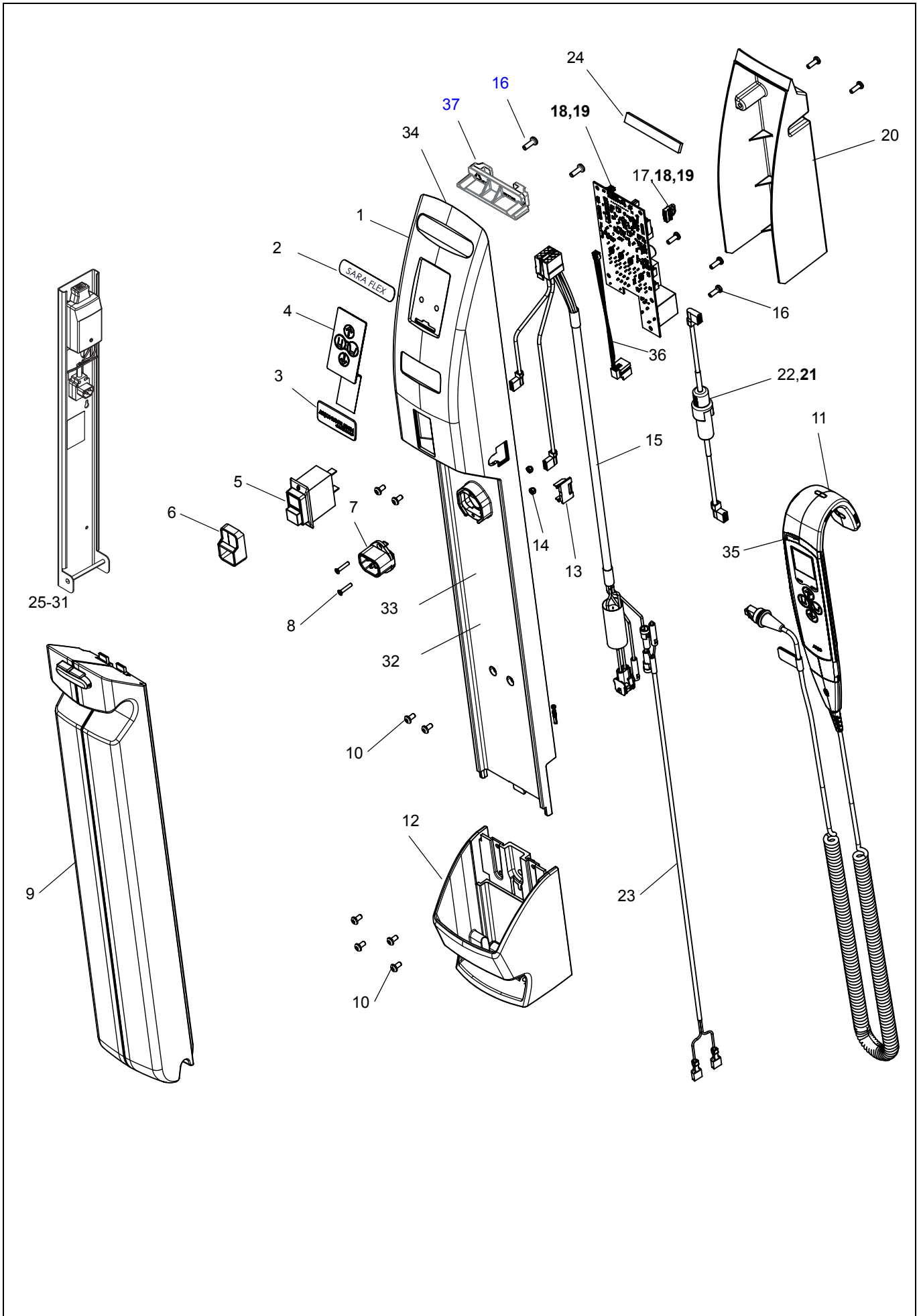
D



E Electrical Box, Battery Charger/Battery

Pos	Art. No.	Qty	D1escription	From ser. No.	Up to ser. No.	Remarks
1	200.24120	1	Control Box			
2	AH1005249	1	Sticker "Sara Flex"			
3	8418700	1	Label "Arjo"			
4	001-24155	1	Membrane 4 function Control Box			
5	KKX10730-00	1	On/off Switch 15A			
6	KKX21360-00	1	Bezel			
7	450.00321	1	Battery connector			
8	000.02100	2	Screw M3x16 Flat Philips Zn			
9	NDA0100-20	1	Battery			
10	000.02501	8	Screw M4x8 Pan Torx Zn			
11	700-13725-BOX	1	Hand Control			
12	200.24121	1	Battery Bucket			
13	200.24128	1	Hand Control door			
14	000.02420	2	Lock Nut			
15	402-00133	1	Motor Harness			
16	000.02480	7	Screw 4.0x12 Plastite			
17	402-00131	1	Limit Jumper			
18	700-00084-03 <i>(492-00084-03)</i>	1	UMC PCBA Kit HEB0xxx-xx &HEB1XXX-XX	CAUTION: Only use PCBA 00084 rev 13 and above for Sara Flex. Configurations 03&35 are not recognized before rev 13.		Incl. Pos, 17
19	700-00084-35 <i>(492-00084-35)</i>	1	UMC PCBA Kit HEB2XXX-XX			Incl. Pos. 17
20	AH1005515	1	PCBA Cover Control Box			
21	402.25015	1	Cable with Fuse Holder			Incl. pos 22
22	C8FAGC15	1	Fuse			
23	402-00132	1	Cable, chassis actuator			Included in pos. A19
24	001-00772	1	Foam			
25	NDA8200	1	Battery Charger			No Cable included
26	NDA8200-INT	1	Battery Charger with Cable			Cable for EU,US,GB and AU incl.
27	402-00099/ HMX468	1	Battery Charger Cable UL (US/Japan)			
28	402.00005/ HMX469	1	Battery Charger Cable UK			
29	402.00003/ HMX458	1	Battery Charger Cable EU			
30	402-16031/ HMX1475	1	Battery Charger Cable Brazil			
31	402.00004/ HMX428	1	Battery Charger Cable Australia			
32	001-27017	1	Label S/N HEBxxxx			
33	001-27022	1	Label prod Sara HEB			
34	001-00958	1	Label CE NAWI 200 kg			Only with scale
35	001-00954	1	Label Scale hand control			Only with scale
36	402.25020	1	Cable harness hand control/UMC inter- face			
37	AH1022465	1	Fixation Plate Control Box			

E



Sara Flex

Preventive Maintenance Parts/Recommended Spares

Preventive Maintenance Parts	Part number	Number of Sara Flex		Page
		1	10	
Rear Caster Kit	700-27024	1	3	A:20
Front Caster Kit	700-27026	1	3	A:21

Recommended Spares	Part number	Number of Sara Flex		Page
		1	10	
Leg Kit	700-27028	1	2	A:18
Actuator Chassis Kit	700-27032	1	2	A:19
Lift Actuator Kit	700-27039	1	2	B:20
Lift Actuator Bushing Kit	700-34040	1	2	B:21
Handle Kit	700-27036	1	2	C:6
Leg Frame Kit	700-27043	1	1	D:14
Leg Pad Kit	700-27045	1	1	D:15
UMC PCBA Kit HEBXXX-XX&HEB1XXX-XX	700-00084-03	1	2	E:18
UMC PCBA Kit HEB2XXX-XX	700-00084-35	1	2	E:19
Hand Control	700-13725-BOX	1	3	E:11
Battery	NDA0100-20	1	2	E:9
Leg Strap, silicone	AH1003006	1	3	D:4
Fuse	C8FAGC15	1	2	E:22

Sara Flex

Service Articles and Special Tools

Service Articles	Type	Quantity	Part number
Loctite 243	Locking	10ml	6950607/001.18021
Loctite 454	Glue	20g	P8130
Loctite 770	Activator spray	52ml	001-18012
Touch-up paint	Light Grey S2000-N	1 pen	005-01335
Touch-up paint	Grey S4000-N	1 pen	005.06165

Special Tools	Part number	Quantity
Kit Scale calibration tool with case and power adapters (including 005-01097, 001-25061)	700-25330	1
Adapter for Sara Flex scale connection to calibration tool 005-25000	005-01097	1
Label sheet scale counter	001-25061	1
Hand control and load cell (SWL test parts)	ST164	1
Load test strap, short (SWL test parts)	ST165	2
Load test strap, long (SWL test parts)	ST166	2
Load test strap (SWL test parts)	ST171	2
Hinge beam (SWL test parts)	ST239	1
Hook belt (SWL test parts)	ST240	1
Load cell housing (SWL test parts)	ST241	1
Plunger bracket (SWL test parts)	ST243	1
Battery condition tester	8662950	1
Spare part bulb for 8662950	S6311425	1

At Arjo, we are committed to improving the everyday lives of people affected by reduced mobility and age-related health challenges. With products and solutions that ensure ergonomic patient handling, personal hygiene, disinfection, diagnostics, and the effective prevention of pressure ulcers and venous thromboembolism, we help professionals across care environments to continually raise the standard of safe and dignified care. Everything we do, we do with people in mind.



ArjoHuntleigh AB
Hans Michelsensgatan 10
211 20 Malmö, Sweden
www.arjo.com

arjo