

rabbit up

Exploded views / Part lists

Rev. date (2023-09)

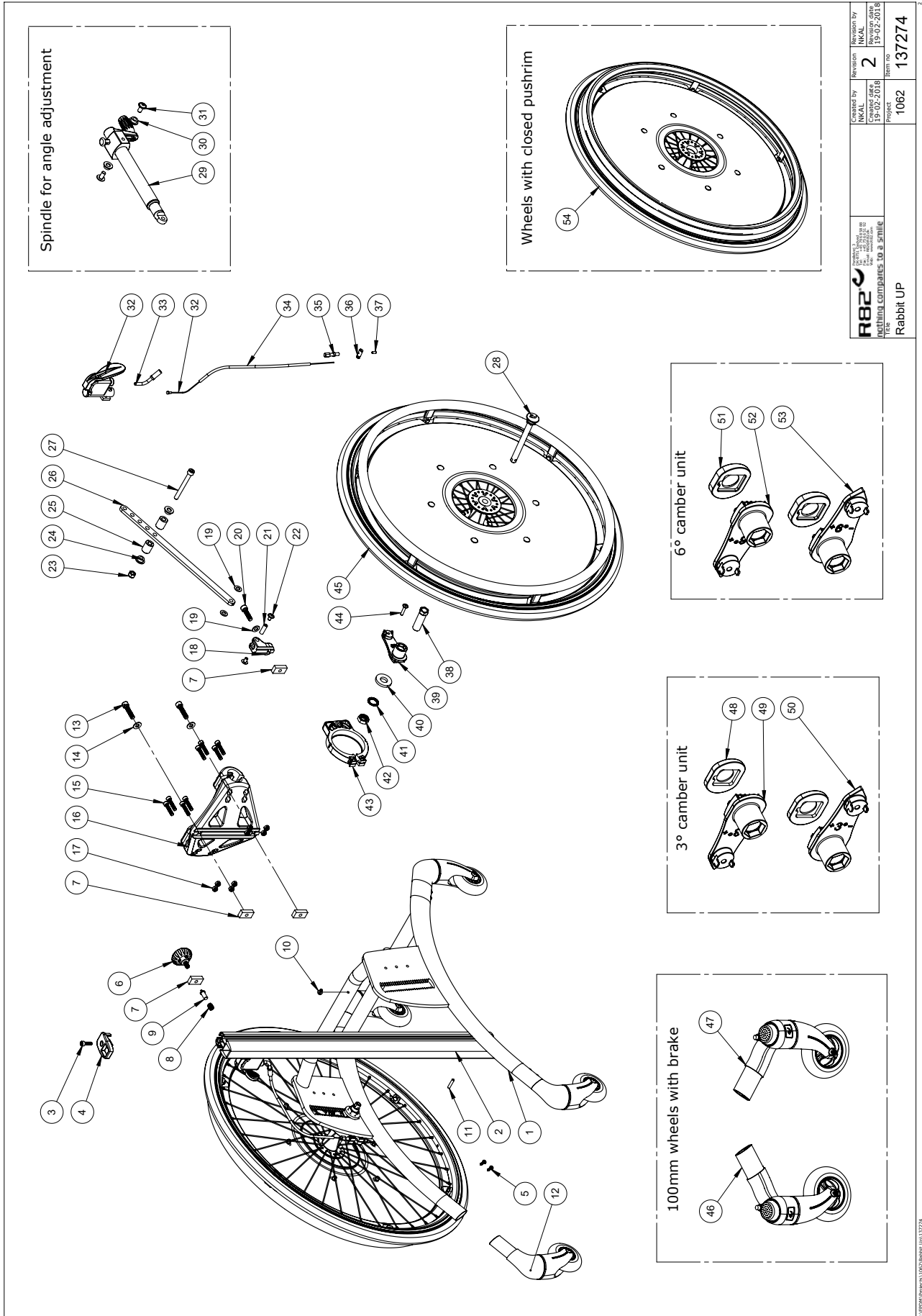
On the following pages you will find the parts used to assemble this product. Please note that some spare parts cannot be purchased individually but are part of a complete kit. Please also note that for some spare parts extra delivery time may occur.



Contents

Rabbit Up, Mobile stander •	3
Item numbers for Rabbit Up, Mobile stander	4
Rabbit Up, Stander •	6
Item numbers for Rabbit Up, Stander	7
Foot plates, foot supports and knee supports •	8
Item numbers for Foot plates, foot supports and knee supports	9
Chest supports, back supports, head support •	12
Item numbers for Chest supports, back supports, head support	13
Table - High mount (862525) •	16
Item numbers for Table - High mount (862525)	17
Table - High mount (862525) •	18
Item numbers for Table - High mount (862525)	19

Rabbit Up, Mobile stander



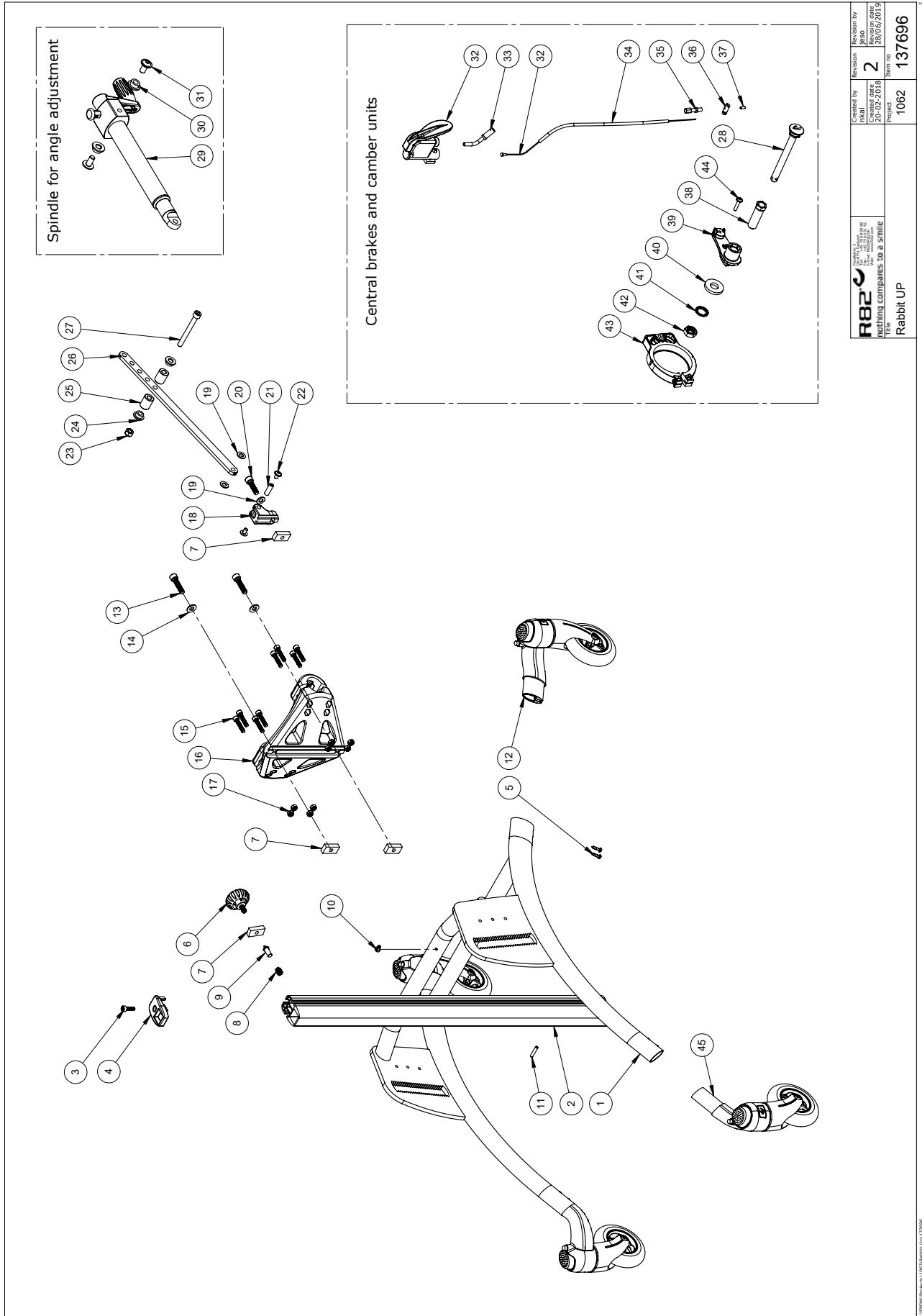
 R82 A/S Parallelvej 3 8751 Gedved Denmark	Created by NKAL 19-02-2018	Revision 2 19-02-2018
	Project 1062	Item no 137274

Item numbers for Rabbit Up, Mobile stander

Position	No.	Description	Quantity	Unit of Measure	Ean code
1	137407	Frame size 1	1	PCS	5707292840011
1	134927	Frame size 2 for Rabbit	1	PCS	5710000000000
1	137408	Frame size 3	1	PCS	5710000000000
1	137410	Frame size 4	1	PCS	5710000000000
2	73621	Profile size 1, 500 mm	1	PCS	5707292435965
2	73622	Profile size 2, 700 mm	1	PCS	5710000000000
2	73623	Profile size 3, 800 mm	1	PCS	5710000000000
2	73624	Profile size 4, 1000	1	PCS	5710000000000
3	0602200	Insex screw 6*16	1	PCS	5707292138095
4	72610	Plug for pile	1	PCS	5707292420718
5	1940034	Eco-drill M4,2*22	8	PCS	5707292423115
6	3502545	R82 handle dia.45 M8*15mm	1	PCS	5707292450456
7	72694	Slidebar	4	PCS	5707292407931
8	0310521	Compression spring 1.2*8	1	PCS	5707292450463
9	72611	Trust pad	1	PCS	5707292450500
10	1902730	CROSSHEAD SCREW M5*10, FZB	2	PCS	5707292433084
11	0589230	Stainless spring pin 5*30	1	PCS	5707292436603
12	5086103-1	3" wheel monted size 1	4	PCS	5707292620064
12	5086104-1	3" wheel monted size 2+3	4	PCS	5710000000000
12	5086105-1	4" Wheel mounted size 4	4	PCS	5710000000000
13	0603000	Insex screw 8*35	2	PCS	5707292138217
14	1102010	Face plate 8,4*18*2mm, FZB	2	PCS	5707292429766
15	0602401	Insex screw 6*30	8	PCS	5707292138125
16	5086120	Mounting plate w/bearing shell	1	SET	5707292497253
17	1606500	Lock nut 6 mm	8	PCS	5707292141361
18	72701	Knee joint	1	PCS	5707292420824
19	1103200	Fazet washer 8mm	1	PCS	5707292140296
19, 23-27	138958-1 MANUEL	Manual Adj. Rabbit Up Sz.1	1	PCS	5707292866820
19, 23-27	138925-2 MANUEL	Manual Adj. Rabbit Up Sz.2	1	PCS	5707292866837
20	0602600	Insex 8*30	1	PCS	5707292138170
21	72702	Shaft	1	PCS	5707292407924
22	0602185	Button head with flange M6*8	2	PCS	5707292877482
28	2983057	Qr axel Panther db	2	PCS	5707292517159
29+30+31	137696 SPINDEL	Spindle for angle adj.	1	PCS	5707292845290
32	5086110	Handgrip f. Brake comp.rabbit	2	PCS	5707292458209
33	0389000	Angled cable tightener, 45°	2	PCS	5707292136152
34	5002997	Braking cable, rabbit, 35 cm	2	PCS	5707292436009
34	5001600	Cable for back new Rabbit	2	PCS	5710000000000
34	5002756	Cable for recline, outer 1-4	2	PCS	5710000000000
35	0380000	Cable tighter M5*23	2	PCS	5707292135933
36	0380100	Clip for cable	2	PCS	5707292136015
37	0387000	End nipple for outer casing	2	PCS	5707292136091
38	137168	Adaptor for Rabbit-up	2	PCS	5707292844255
39+40	137274- 0 GR.	0 gr. camber unit Rabbit Up	1	SET	5707292845306

Position	No.	Description	Quantity	Unit of Measure	Ean code
39+40	137274-3 GR.	3 DEGREES CAMBERUNIT RABBIT UP	1	SET	5707292845313
39+40	137274-6 GR.	6 GR. CAMBER UNIT RABBIT UP	1	SET	5707292845320
41	1140811	Lock washer stainless M16	2	PCS	5707292844545
42	2983092	Nut for Rabbit up	2	PCS	5707292841926
43	2983060	Band brake wo/washer, Rabbit	2	PCS	5707292436528
44	0640929	M5 * 25 - F.H. screw w.6K hole	2	PCS	5707292838094
45	3102422	22" wheel open pushrim	2	PCS	5707292832894
45	3102424	24" wheel open pushrim	2	PCS	5707292832900
45	3102426	26" wheel open pushrim	2	PCS	5707290000000
45	3102429	29" wheel open pushrim	2	PCS	5710000000000
45	3102432	32" wheel open pushrim	2	PCS	5707292832931
45	3102436	36" wheel open pushrim	2	PCS	5710000000000
46	134304	Wheel mount size 1, right	2	PCS	5710000000000
46	134244	Wheel mount size 2-3, right	2	PCS	5707292866714
47	135002	Wheel mount size 1, left	2	PCS	5710000000000
47	134223	Wheel mount size 2-3, left	2	PCS	5707292866707
48+49+50	137274-3 GR.	3 degrees camberunit Rabbit Up	1	SET	5707292845313
51+52+53	137274-6 GR.	6 gr. camber unit Rabbit Up	1	SET	5710000000000
54	3202622	22" wheel closed pushrim	2	PCS	5707292809469
54	3202624	24" wheel closed pushrim	2	PCS	5707292809476
54	3202626	26" wheel closed pushrim	2	PCS	5710000000000
54	3202629	29" wheel closed pushrim	2	PCS	5707292809490
54	3202632	32" wheel closed pushrim	2	PCS	5707292809506
54	3202636	36" wheel closed pushrim	2	PCS	5710000000000

Rabbit Up, Stander



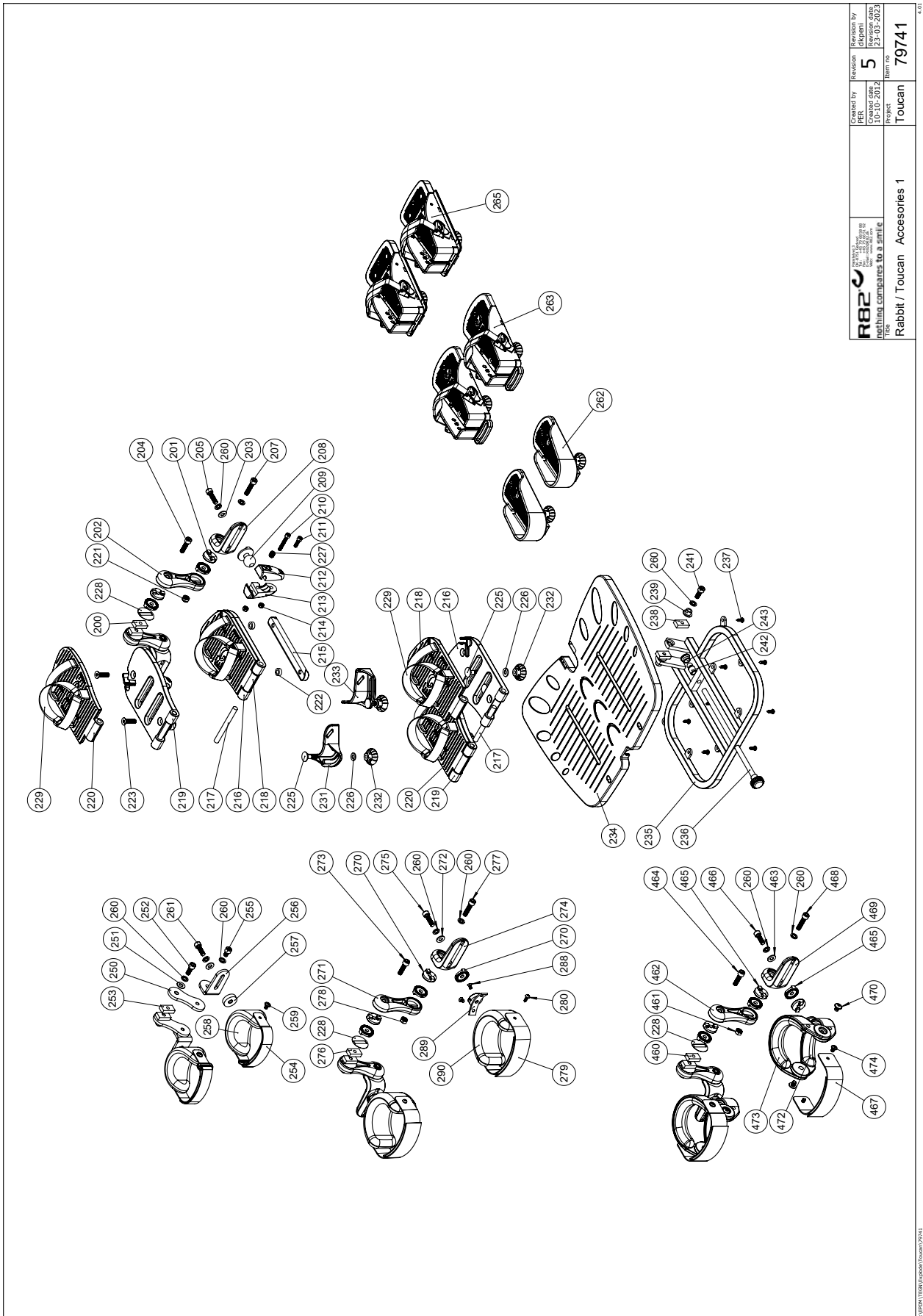
<p>R82 Nothing compares to a smile</p>	Created by jhal	Revision 2	Revised by jhal
	Created date 20-02-2018	Project 1062	Revised date 28/06/2019
Rabbit UP		137696	

C:\pccm\pccm\311504\stander up 137696

Item numbers for Rabbit Up, Stander

Position	No.	Description	Quantity	Unit of Measure	Ean code
1	137407	Frame size 1	1	PCS	5707292840011
2	73621	Profile size 1, 500 mm	1	PCS	5707292435965
3	0602200	Insex screw 6*16	1	PCS	5707292138095
4	72610	Plug for pile	1	PCS	5707292420718
5	1940034	Eco-drill M4,2*22	8	PCS	5707292423115
6	3502545	R82 handle dia.45 M8*15mm	1	PCS	5707292450456
7	72694	Slidebar	4	PCS	5707292407931
8	0310521	Compression spring 1.2*8	1	PCS	5707292450463
9	72611	Trust pad	1	PCS	5707292450500
10	1902730	Crosshead screw M5*10, FZB	2	PCS	5707292433084
11	0589230	Stainless spring pin 5*30	1	PCS	5707292436603
12	134304	Wheel mount size 1, right	2	PCS	5707292866684
13	0603000	Insex screw 8*35	2	PCS	5707292138217
14	1102010	Face plate 8,4*18*2mm, FZB	2	PCS	5707292429766
15	0602401	Insex screw 6*30	8	PCS	5707292138125
16	5086120	MOUNTING PLATE W/BEARING SHELL	1	SET	5707292497253
17	1606500	Lock nut 6 mm	8	PCS	5707292141361
18	72701	Knee joint	1	PCS	5707292420824
19	1103200	Fazet washer 8mm	1	PCS	5707292140296
19+23-27	138958-1 MANUEL	manuel just. Rabbit up Str 1	1	PCS	5707292866820
20	0602600	Insex 8*30	1	PCS	5707292138170
21	72702	Shaft	1	PCS	5707292407924
22	0602185	Button head with flange M6*8	2	PCS	5707292877482
28+32-44	137696 CB-KIT 1	Brake cable KIT	1	PCS	5707292845535
29+30+31	137696 SPINDEL	Spindel for vinkeljustering	1	PCS	5707292845290
45	135002	Wheel mount size 1, left	2	PCS	5707292866691

Foot plates, foot supports and knee supports



 R82 A/S Parallelvej 3 8751 Gedved Denmark	Created by PER	Revision 5	Approved by dkpani
	Created date 10-10-2012	Revision date 23-05-2013	Part no. 79741
Project Toucan		Accessories 1	

COPYRIGHTED BY R82 A/S

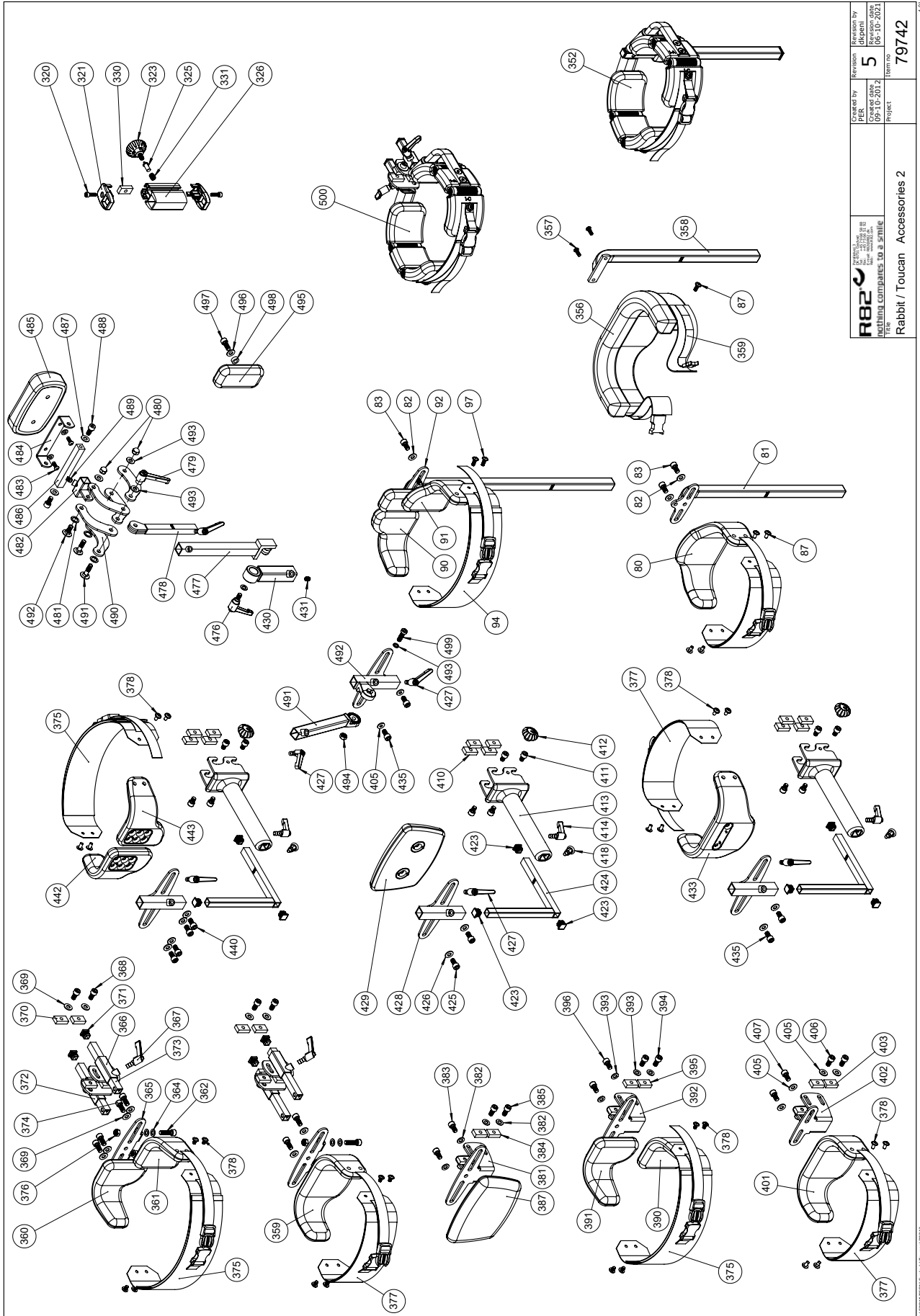
Item numbers for Foot plates, foot supports and knee supports

Position	No.	Description	Quantity	Unit of Measure	Ean code
200	72694	Slidebar	2	PCS	5707292407931
201	74062	Toothed disk 30*14	8	PCS	5707292377951
202	72712	Knee joint	2	PCS	5707292420756
203	1102010	Face plate 8,4*18*2mm, FZB	2	PCS	5707292429766
204	0602600	Insex 8*30	2	PCS	5707292138170
205	0602700	Insex screw 8*25	2	PCS	5707292138187
207	0603000	Insex screw 8*35	2	PCS	5707292138217
208	72713	Bracketed	2	PCS	5707292420763
209	72721	Ballhead	2	PCS	5707292428875
210	0602440	Insex M6*40 FZB	2	PCS	5707292138149
211	0602300	Insex screw 6*20	2	PCS	5707292138101
212	72723	Ball joining left	2	PCS	5707292421814
213	72724	Ball joining right	2	PCS	5707292421845
214	1606500	Lock nut 6 mm	4	PCS	5707292141361
215	72722	Bracket for flip upp sandal	2	PCS	5707292406163
216	72934	Footplate size 1, right, fixed	1	PCS	5707292428905
216	72937	Footplate size 2, right, fixed	1	PCS	5707292428950
216	72940	Footplate size 3, left, mobile	1	PCS	5707292438959
217	72709	Shaft size 1, flip up	2	PCS	5707292428981
217	72708	Shaft size 2, flip up	2	PCS	5707292428998
217	72707	Shaft size 3, flip up	2	PCS	5707292440730
218	72933	Footplate size 1, right,mobile	1	PCS	5707292428899
218	72938	Footplate size 2, right,mobile	1	PCS	5707292428967
218	72942	Footplate size 3, right	1	PCS	5707292438928
219	72932	Footplate size 1, left, fixed	1	PCS	5707292428929
219	72935	Footplate size 2, left, fixed	1	PCS	5707292428936
219	72939	Footplate size 3, left	1	PCS	5707292438935
220	72931	Footplate size 1, left, mobile	1	PCS	5707292428912
220	72936	Footplate size 2, left, mobile	1	PCS	5707292428943
220	72941	Footplate size 3, right, fixed	1	PCS	5707292438942
221	1607000	Lock nut 8mm, large pack	2	PCS	5707292141378
222	1310541	Distance piece 1878,2*5mm	4	PCS	5707292429926
223	0625000	Insex screw counters. 8*30	4	PCS	5707292139085
225	1905600	Board bolt 8*30mm	4	PCS	5707292142337
226	1102010	Face plate 8,4*18*2mm, FZB	4	PCS	5707292429766
227	0701010	Set screw M10*10 w/flat end	2	PCS	5707292434098
228	72717	Disk for footrest	2	PCS	5707292434760
229	5540520	Footstrap for flip up size 1	1	SET	5707292435538
229	5540525	Footstrap for flip up size 2+3	1	SET	5707292435545
229	5540530	Footstrap for flip up size 3	1	SET	5707292438171
231	72696	Heelunit, heelsupport	1	PCS	5707292421715
231	72710	HEEL SUPPORT SIZE 2	1	PCS	5707292436832
232	3501501	R82 handle M8*15mm nut	4	PCS	5707292413949
233	72697	Heelunit, heelsupport	1	PCS	5707292421722
233	72711	Heel support size 2	1	PCS	5707292436849
234	72685	Footplate size 1, Toucan	1	PCS	5707292420596
234	72684	Footplate size 2, Toucan	1	PCS	5707292420626
235	72690	Carryprofile, size 1 footlate	1	PCS	5707292420572

Position	No.	Description	Quantity	Unit of Measure	Ean code
235	72681	Carryprofile, size 2 footplate	1	PCS	5707292406231
236	3502790	Hand grip 28mm, M10*196mm	1	PCS	5707292363152
236	72698	Spindle, footrest size 2	1	PCS	5707292420787
237	1940027	Ecosyn phx 5*14 Torx FZB	8	PCS	5707292577818
238	72694	Slidebar	2	PCS	5707292407931
239	72686	Bush for footrest, Toucan	2	PCS	5707292420534
241	0602850	Insex M8*22, FZB	2	PCS	5707292435408
242	72703	End bush with ball	1	PCS	5707292428523
243	72704	Thrust pad	1	PCS	5707292428530
250	72861	Arm	2	PCS	5707292420701
251	1102010	Face plate 8,4*18*2mm, FZB	4	PCS	5707292429766
252	0602800	Insex screw 8*20	2	PCS	5707292138194
253	72694	Slidebar	2	PCS	5707292407931
254	5540515	Strap size 1, knee supp.toucan	2	PCS	5707292434449
255	0602500	insex screw 8*12	2	PCS	5707292138163
256	72862	Angle	2	PCS	5707292420657
257	72863	Disc, for kneesupport	2	PCS	5707292420725
258	72860	Kneesupport size 1	2	PCS	5707292420732
259	0659010	Button head with flange M6*10	4	PCS	5707292356819
260	1101000	Center spring washer 8mm	4	PCS	5707292140173
261	0602700	Insex screw 8*25	2	PCS	5707292138187
262	86149	Formed foot plates, set, 175 mm long	1	PCS	5707292574787
	86147	Formed foot plates, set, 215 mm long	1	PCS	5707292128812
	86148	Formed foot plates, set, 240 mm long	1	PCS	5707292128829
263	869490	Sandaler small	1	PCS	5707292795274
	869491	Sandaler medium	1	PCS	5707292795281
270	74062	Toothed disk 30*14	10	PCS	5707292377951
271	72712	Knee joint	2	PCS	5707292420756
272	1102010	Face plate 8,4*18*2mm, FZB	2	PCS	5707292429766
273	0602600	Insex 8*30	2	PCS	5707292138170
274	72713	Bracked	2	PCS	5707292420763
275	0602600	Insex 8*30	2	PCS	5707292138170
276	72694	Slidebar	2	PCS	5707292407931
277	0603000	Insex screw 8*35	2	PCS	5707292138217
278	1607000	Lock nut 8mm, large pack	2	PCS	5707292141378
279	5540220	Girth for kneesupport,size 2+3	2	PCS	5707292178206
280	0640913	Button head/flange M5*10 FZB	4	PCS	5707292558985
288	0631860	Insex 5*10, FZB	4	PCS	5707292139191
289	72716	Tooth brace	2	PCS	5707292420770
290	6175161	Kneesupport size 1 Panda	2	PCS	5707292189288
290	6175162	Kneesupport size 2 Panda	2	PCS	5707292189295
460	72694	Slidebar	2	PCS	5707292407931
461	1607000	Lock nut 8mm, large pack	2	PCS	5707292141378
462	72712	Knee joint	2	PCS	5707292420756
463	1102010	Face plate 8,4*18*2mm, FZB	2	PCS	5707292429766
464	0602600	Insex 8*30	2	PCS	5707292138170
465	74062	Toothed disk 30*14	12	PCS	5707292377951
466	0603000	Insex screw 8*35	2	PCS	5707292138217
467	5540515	Strap size 1, knee supp.toucan	2	PCS	5707292434449

Position	No.	Description	Quantity	Unit of Measure	Ean code
467	5540220	Girth for kneesupport,size 2+3	2	PCS	5707292178206
468	0603000	Insex screw 8*35	2	PCS	5707292138217
469	72713	Bracked	2	PCS	5707292420763
470	0640907	Button head with flange M8*10	4	PCS	5707292441119
472	72751-1	Inner Knee support size 1	2	PCS	5707292506573
472	72753-1	Inner Knee support size 2	2	PCS	5707292506597
472	72755-1	Inner Knee support size 3	2	PCS	5707292506610
473	72752-1	Outer knee support size 1	2	PCS	5707292506580
473	72754-1	Outer knee support size 2	2	PCS	5707292506603
473	72756-1	Outer knee support size 3	2	PCS	5707292506627
474	0631990	Button head with flange M6*8	4	PCS	5707292517333
474	0659010	Button head with flange M6*10	4	PCS	5707292356819

Chest supports, back supports, head support



 R82 A/S Helping Companies to a smile	Project Rabbit / Toucan Accessories 2	Item no 79742
	Created date 09-10-2012	Revision 5

C:\SPRINT\BOOK\Toucan\79742

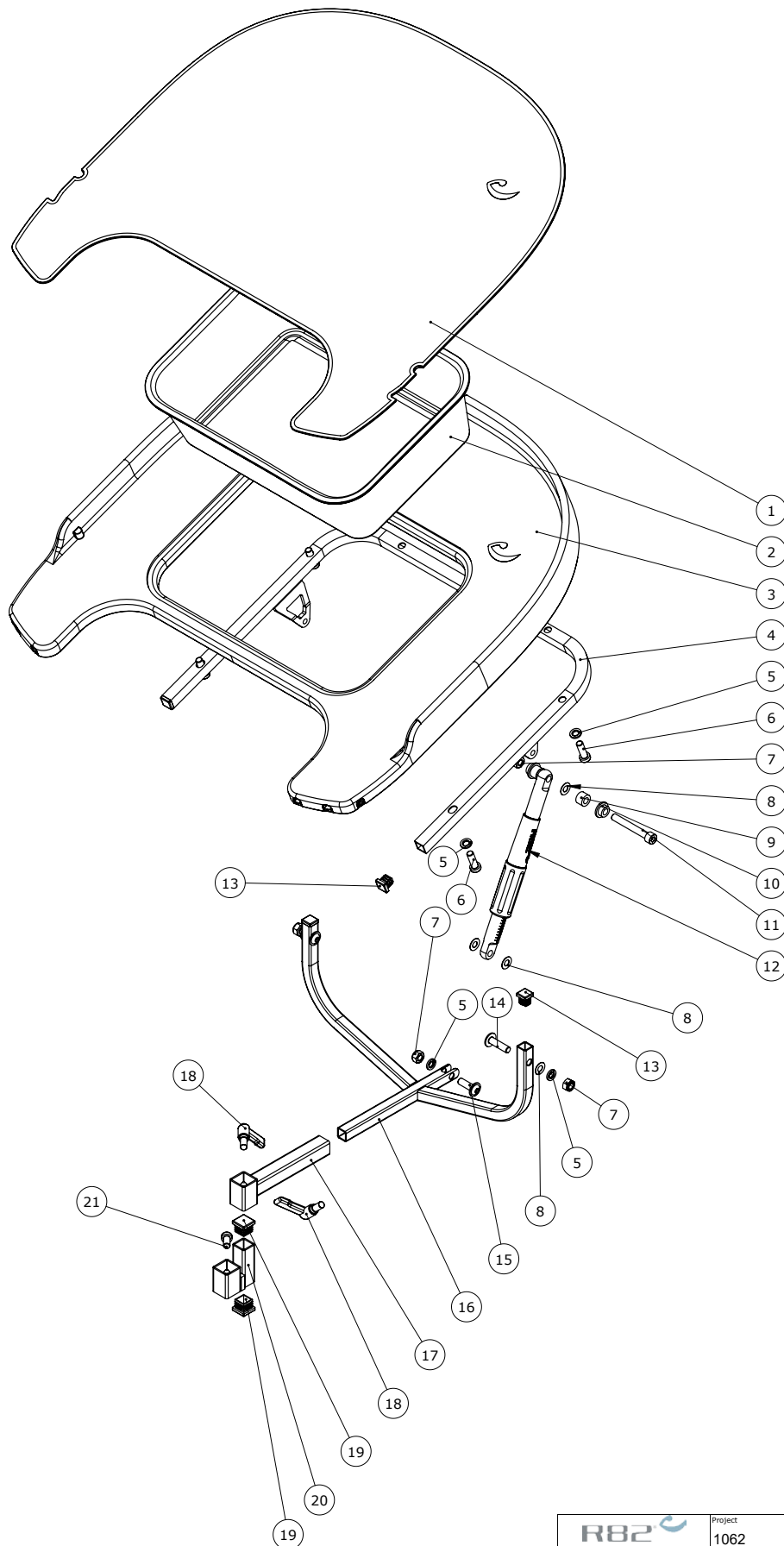
Item numbers for Chest supports, back supports, head support

Position	No.	Description	Quantity	Unit of Measure	Ean code
80	72820	CHESTSUPPORT SIZE 1	1	PCS	5707292421340
81	72783	MOUNTING POLE SIZE 1	1	PCS	5707292421647
82	1102010	FACE PLATE 8,4*18*2MM, FZB	2	PCS	5707292429766
83	0602950	Insex M8*14 mm FZB	2	PCS	5707292564016
84	5540506	STRAP SIZE 1, 80 MM TOUCAN	1	PCS	5707292457363
87	0659011	BUTTON HEAD WITH FLANGE M6*10	4	PCS	5707292505507
90*	72830	CHESTSUPPORT SIZE 2 RIGHT	1	PCS	5707292421357
	72840	CHESTSUPPORT SIZE 3 RIGHT	1	PCS	5707292421371
91*	72831	CHESTSUPPORT SIZE 2 LEFT	1	PCS	5707292421364
	72841	CHESTSUPPORT SIZE 3 LEFT	1	PCS	5707292421388
92	72994	Mounting pole size 1	1	PCS	5707292480255
94	5540508	STRAP SZ.2, 80MM TOUCAN	1	PCS	5707292457370
	5540511	Strap size 3, 80 mm Toucan	1	PCS	5707292457387
97	0659011	BUTTON HEAD WITH FLANGE M6*10	4	PCS	5707292505507
320	0602200	INSEX SCREW 6*16	2	PCS	5707292138095
321	72610	PLUG FOR PILE	2	PCS	5707292420718
323	3502545	R82 HANDLE DIA.45 M8*15MM	1	PCS	5707292450456
325	72611	TRUST PAD	1	PCS	5707292450500
326	72609	PROFILE SIZE 7, 80 MM	1	PCS	5707292438805
330	72694	SLIDEBAR	1	PCS	5707292407931
331	0310521	Compression spring 1.2*8	1	PCS	5707292450463
356	6175190	CHESTSUPPORT F/PONY 0,PU	1	PCS	5707292189325
357	0641600	BUTTON HEAD SCREW 6*16	1	PCS	5707292139269
358	72770	MOUNTING POLE (SIZE 1)	1	PCS	5707292483775
359	72820	Chestsupport size 1	1	PCS	5707292421340
360*	72831	CHESTSUPPORT SIZE 2 LEFT	1	PCS	5707292421364
	72841	CHESTSUPPORT SIZE 3 LEFT	1	PCS	5707292421388
361*	72830	CHESTSUPPORT SIZE 2 RIGHT	1	PCS	5707292421357
	72840	CHESTSUPPORT SIZE 3 RIGHT	1	PCS	5707292421371
362	0602600	INSEX 8*30	2	PCS	5707292138170
364	1310711	NYLON WASHER 15*8,4*1,5MM	4	PCS	5707292429933
365	72904	MOUNTING CROSS	1	PCS	5707292424846
366	72901	BRACKED RIGH,ROTATE HIPSUPPORT	1	PCS	5707292428332
367	3502516	TIGHTENING HANDLE 45MM M8*16	2	PCS	5707292146915
368	0602900	INSEX SCREW 8*16	4	PCS	5707292138200
369	1102010	FACE PLATE 8,4*18*2MM, FZB	6	PCS	5707292429766
370	72694	SLIDEBAR	4	PCS	5707292407931
371	2504000	FERRULE E15*1,0-2,0 INT.BLACK	2	PCS	5707292144102
372	72902	HEIGHT REGULATION, RABBIT	1	PCS	5707292423054
373	72903	LASER CUT PIPE 15*15*1,5*100	2	PCS	5707292424822
374	0602950	Insex M8*14 mm FZB	2	PCS	5707292564016
375*	5540508	STRAP SIZE 2, 80MM TOUCAN	1	PCS	5707292457370
	5540511	STRAP SIZE 3, 80 MM TOUCAN	1	PCS	5707292457387
376	1607000	LOCK NUT 8MM, LARGE PACK	2	PCS	5707292141378
377	5540506	STRAP SIZE 1, 80 MM TOUCAN	1	PCS	5707292457363
378	0659011	BUTTON HEAD WITH FLANGE M6*10	4	PCS	5707292505507
381	72773	MOUNTING CROSS	1	PCS	5707292406194
382	1102010	FACE PLATE 8,4*18*2MM, FZB	6	PCS	5707292429766

Position	No.	Description	Quantity	Unit of Measure	Ean code
383	0602505	Insex M8*18, FZB	2	PCS	5707292420749
384	72694	SLIDEBAR	4	PCS	5707292407931
385	0602900	INSEX SCREW 8*16	4	PCS	5707292138200
387	72850	BACK SUPPORT	1	PCS	5707292423023
390*	72830	CHESTSUPPORT SIZE 2 RIGHT	1	PCS	5707292421357
	72840	CHESTSUPPORT SIZE 3 RIGHT	1	PCS	5707292421371
391*	72831	CHESTSUPPORT SIZE 2 LEFT	1	PCS	5707292421364
	72841	CHESTSUPPORT SIZE 3 LEFT	1	PCS	5707292421388
392	72773	MOUNTING CROSS	1	PCS	5707292406194
393	1102010	FACE PLATE 8,4*18*2MM, FZB	8	PCS	5707292429766
394	0602900	INSEX SCREW 8*16	4	PCS	5707292138200
395	72694	SLIDEBAR	4	PCS	5707292407931
396	0602950	Insex M8*14 mm FZB	4	PCS	5707292564016
401	72820	CHESTSUPPORT SIZE 1	1	PCS	5707292421340
402	72774	MOUNTING CROSS SIZE 1	1	PCS	5707292421609
403	72694	SLIDEBAR	4	PCS	5707292407931
405	1102010	FACE PLATE 8,4*18*2MM, FZB	6	PCS	5707292429766
406	0602900	INSEX SCREW 8*16	4	PCS	5707292138200
407	0602950	Insex M8*14 mm FZB	2	PCS	5707292564016
410	72694	SLIDEBAR	4	PCS	5707292407931
411	0602500	INSEX SCREW 8*12	4	PCS	5707292138163
412	3503001	R82 HANDLE M8*15MM SCREW	1	PCS	5707292413925
413	75300	HANDLE, BACKSUPPORT	1	PCS	5707292510495
414	3502115	TIGHTNING HANDLE M6X15MM	1	PCS	5707292146854
418	0380184	Spec. Locking house M10*1,28mm	1	PCS	5707292366030
423	2504000	FERRULE E15*1,0-2,0 INT.BLACK	1	PCS	5707292144102
424	139275	TUBE ANGLE, BACKSUPPORT	1	PCS	5707292869548
425	0602505	Insex M8*18, FZB	2	PCS	5707292420749
426	1102010	FACE PLATE 8,4*18*2MM, FZB	2	PCS	5707292429766
427	3502516	TIGHTENING HANDLE 45MM M8*16	1	PCS	5707292146915
428	72738	MOUNTING CROSS, BACKSUPPORT	1	PCS	5707292422989
429	72850	BACK SUPPORT	1	PCS	5707292423023
430	72737	MOUNTING FOR HEADSUPPORT	1	PCS	5707292422972
431	0808020	STAINLESS STOPSCREW,M8*12	1	PCS	5707292140074
433	72820	CHESTSUPPORT SIZE 1	1	PCS	5707292421340
435	0602950	Insex M8*14 mm FZB	2	PCS	5707292564016
440	0602950	Insex M8*14 mm FZB	4	PCS	5707292564016
442	72830	CHESTSUPPORT SIZE 2 RIGHT	1	PCS	5707292421357
442	72840	CHESTSUPPORT SIZE 3 RIGHT	1	PCS	5707292421371
443	72831	CHESTSUPPORT SIZE 2 LEFT	1	PCS	5707292421364
443	72841	CHESTSUPPORT SIZE 3 LEFT	1	PCS	5707292421388
475	3502516	TIGHTENING HANDLE 45MM M8*16	2	PCS	5707292146915
476	3502600	TIGHTENING HANDLE 65MM M8*16	2	PCS	5707292146922
477	82563	ARM WITH CONUS	1	PCS	5707292124807
477	82573	ARM WITH CONUS 2+3	1	PCS	5707292124906
478	81123	ROD FOR NECK SUPPORT (STD.NL)	1	PCS	5707292112484
478	81894	ROD FOR NECK SUPPORT, TURTLE	1	PCS	5707292119643
479	3502300	TIGHTENING HANDLE 65MM M8 BUSH	1	PCS	5707292146885
480	1780800	TOP NUT 8MM	2	PCS	5707292141569

Position	No.	Description	Quantity	Unit of Measure	Ean code
481	1102000	PLANING WASHER 8MM	4	PCS	5707292140227
482	81893	ROD FOR NECK SUPPORT	1	PCS	5707292119636
483	0641600	BUTTON HEAD SCREW 6*16	2	PCS	5707292139269
484	81410	U-MOUNTING FOR NECK-SUPPORT	1	PCS	5707292115133
485	6171550	HEADREST SIZE 1,BLACK PUR-FOAM	1	PCS	5707292188786
485	6172550	HEADREST SIZE 2,BLACK PU-FOAM	1	PCS	5707292188823
485	6173550	HEADREST SIZE 3,BLACK PUR-FOAM	1	PCS	5707292188861
485	6174550	HEADREST 4, BLACK PU-FOAM	1	PCS	5707292188908
486	81411	DISTANCE-PIPE F. NECK-MOUNTING	1	PCS	5707292115140
487	1101000	CENTER SPRING WASHER 8MM	2	PCS	5707292140173
488	0602900	INSEX SCREW 8*16	2	PCS	5707292138200
489	0701000	STOP SCREW WITH CRATER 8*10	1	PCS	5707292139870
490	81844	PLATE F.NECKREST, TURTLE	5	PCS	5707292119162
491	75303	BAR WITH FITTING L=335,5 mm	1	PCS	5707292509994
491	75298	BAR WITH FITTING L=200,5 mm	1	PCS	5707292509987
492	75294	MOUNTING CROSS, BACK SUPPORT	1	PCS	5707292509963
493	1100495	SPRING WASHER M8	1	PCS	5707292458674
494	1603500	STEEL NUT 8MM, LARGE PACK	1	PCS	5707292141286
495	72845	CHEST SUPPORT, MID PUR, SIZE 2	1	PCS	5707292445834
495	72846	CHEST SUPPORT, MID PUR, SIZE 3	1	PCS	5707292445841
496	1102010	FACE PLATE 8,4*18*2MM, FZB	1	PCS	5707292429766
497	0602505	Insex M8*18, FZB	1	PCS	5707292420749
498	1350000	DISTANCEPART BLACK 6*15*8,2 MM	1	PCS	5707292140876
499	0602485	INSEX M8*25,LOW HEAD,STAINLESS	1	PCS	5707292432216

Table - High mount (862525)

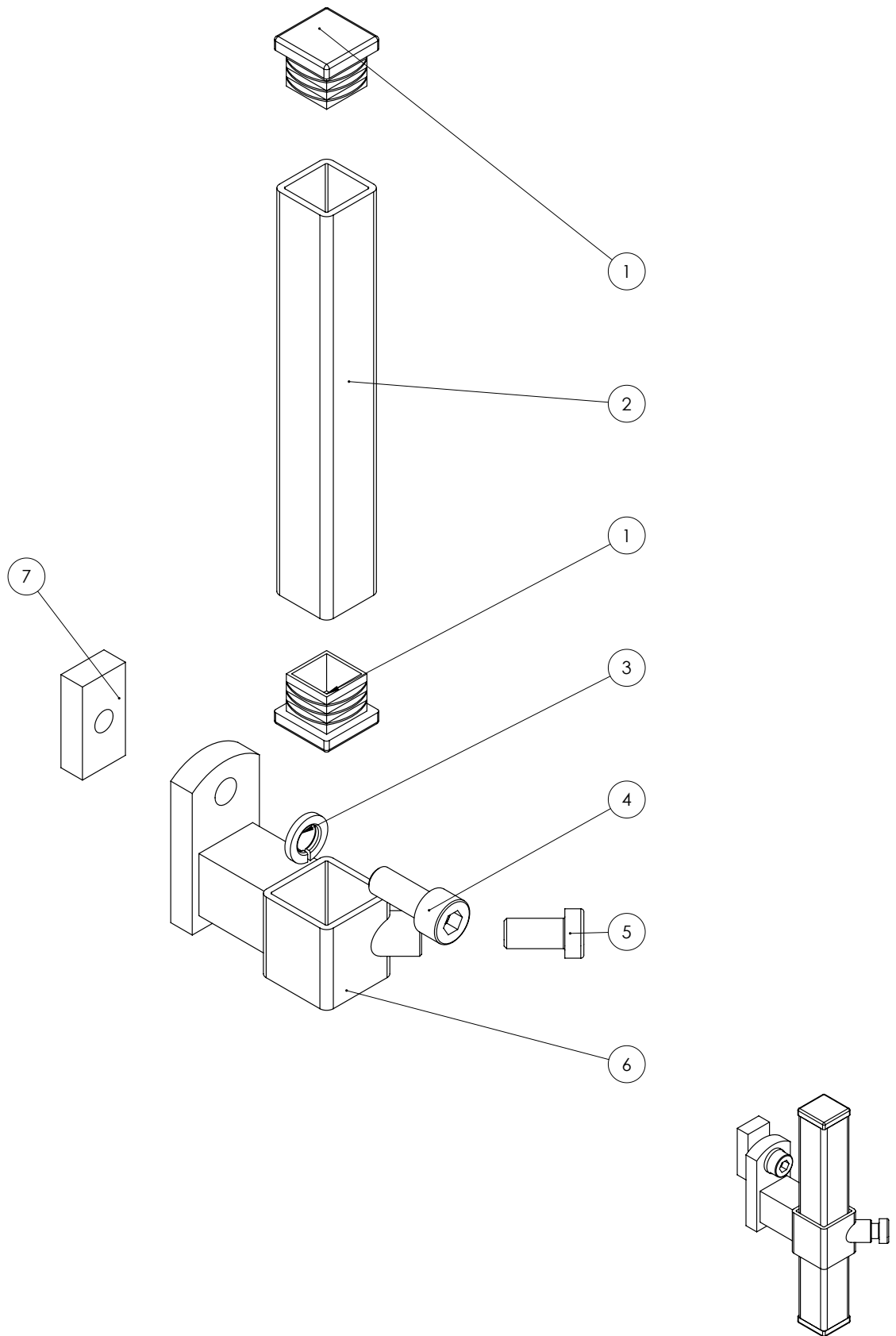


	Project	Created by	Revision	Revision by
	1062	dikkigr	2	dikjeso
Title		Created date	Revision date	
Tabel for Rabbit - High mount		16-09-2022	29-06-2023	
Item no			167110	

Item numbers for Table - High mount (862525)

Position	No.	Description	Quantity	Unit of Measure	Ean code
1	75401	Plade for bord, plast	1	STK	5707292505934
2	75402	Balje for bord, plast	1	STK	5707292505965
3	5075400	Bordplade, plast samlet	1	STK	5707292518675
4	75405	Center support bracket, Toucan	1	STK	5707292507235
5	1100500	Fjederskive M8, rustfri	7	STK	5707292140142
6	0603535	Insex lav hoved M8*25	6	STK	5707292575319
7	1607001	Låsemøtrik 8 mm, helmetalisk	4	STK	5707292401281
8	1310645	Afs.styk. Natur Ø16*8*0,5mm	4	STK	5707292446015
9	1350012	Afs.styk. Ø15 x Ø8,2 x 10 mm	2	STK	5707292904393
10	72878	Bøsning t. Holder	2	STK	5707292418678
11	0603600	Insex M8*55, FZB (28mm gev.)	1	STK	5707292138262
12	107634	Spindle Mustang str. 3+4	1	STK	5707292572004
13	2504000	Dupsko e15*15*1,0-2,0indvsort	4	STK	5707292144102
14	0663031	Button head m/flange 8*30	2	STK	5707292139610
15	0662501	Button head m/flange 8*25	1	STK	5707292403759
16	166801	Tray support frame	1	STK	5707292969262
17	167052	TRAY SUPPORT BRACKET	1	STK	5707292969279
18	3502516	Spændgreb 40mm M8*16mm	2	STK	5707292146915
19	2504500	Dupsko e20*20*1,0-2,0indvsort	2	STK	5707292144126
20	167083	Tray adapter bracket	1	STK	5707292969286
21	0603530	Insex lav hoved M8*16	1	STK	5707292412492

Table - High mount (862525)



	Project	Created by	Revision	Revision by
	Rabbit	dijkieso	1	dijkieso
Title	Created date	Revision date	Item no	
Low mount for tabel kit	04-05-2023	09-05-2023	170522	

Item numbers for Table - High mount (862525)

Position	No.	Description	Quantity	Unit of Measure	Ean code
1	2504500	Dupsko e20*20*1,0-2,0indsort	2	STK	5707292144126
2	167122	Square Pipe 20*20*2*130	1	STK	5707292968951
3	1100500	Fjederskive M8, rustfri	1	STK	5707292140142
4	0602800	Insex M8*20, FZB	1	STK	5707292138194
5	0603530	Insex lav hoved M8*16	1	STK	5707292412492
6	80285	Monteringsbeslag f.bord svejst	1	STK	5707292491060
7	72694	Skinne	1	STK	5707292407931