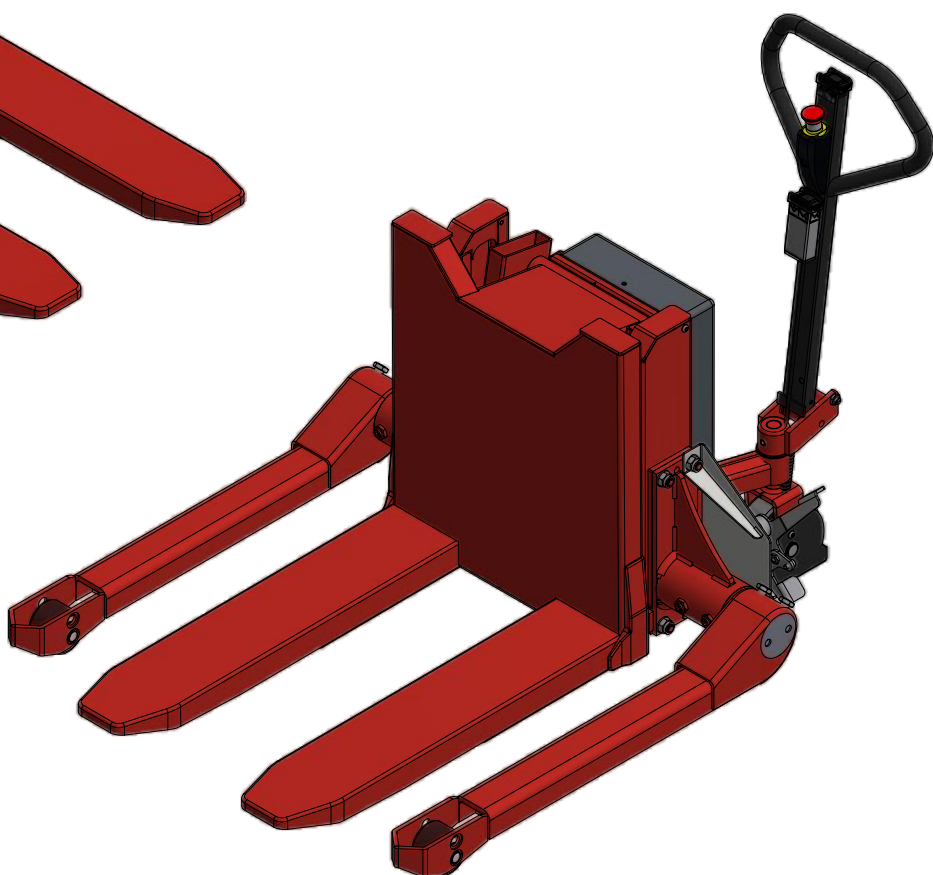
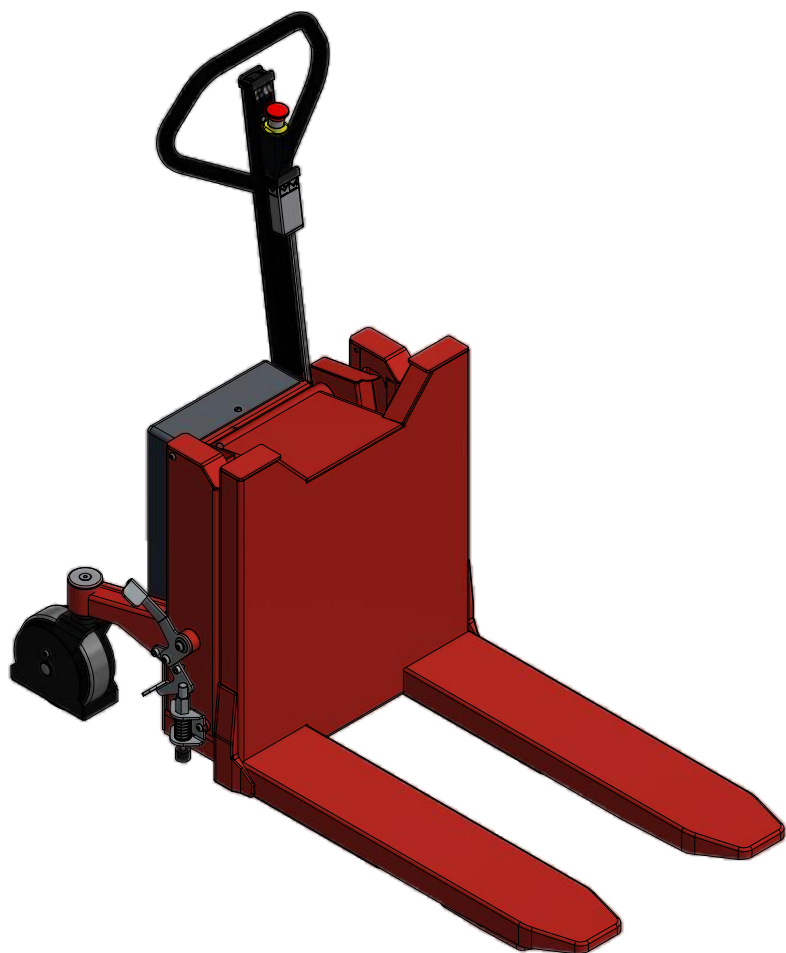
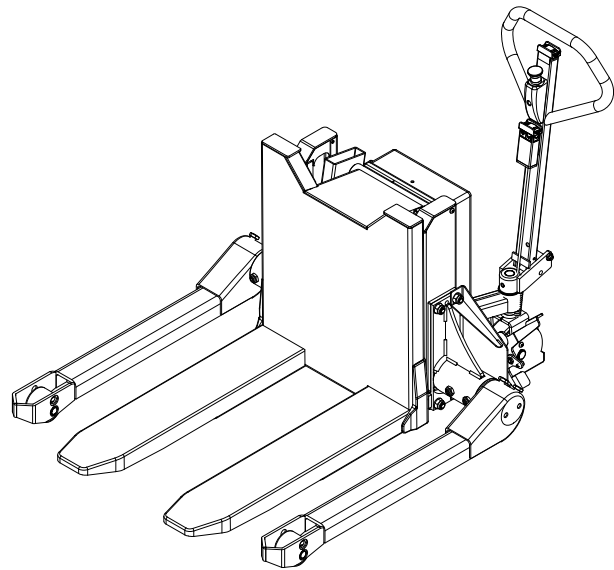
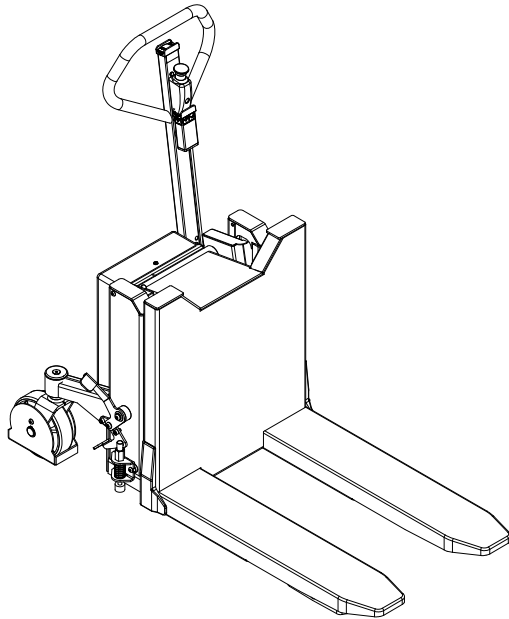


LT 1001 TE/TES

SPARE PARTS LIST





Index

LT 1001 TE Chassis	3
LT 1001 TES Chassis	6
LT 1001 TE/TES Hydraulics.....	9
LT 1001 TE/TES Electric parts.....	12
LT 1001 TE/TES Handle.....	15

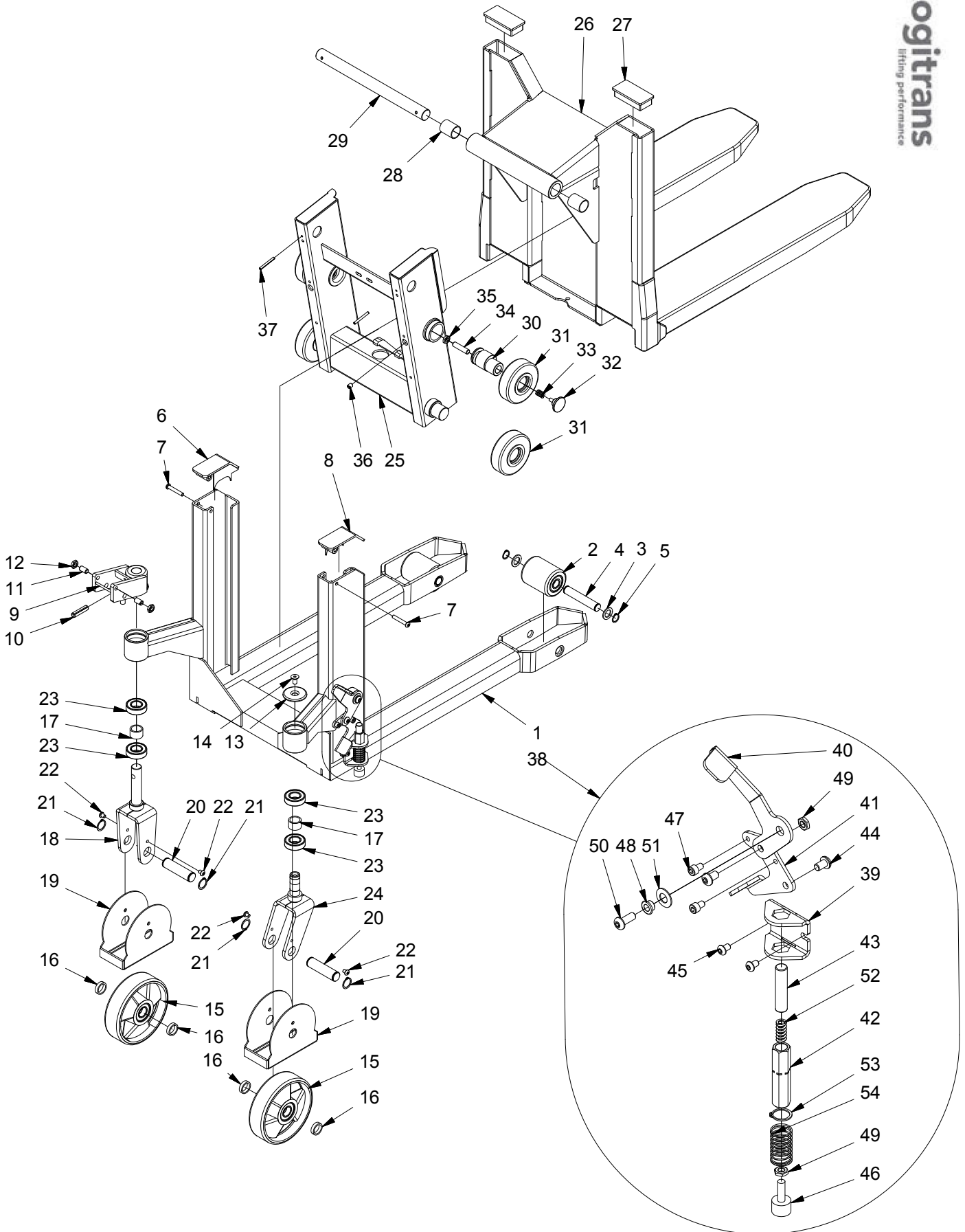
The correct spare parts are obtainable from your dealer.
When ordering, please state:

- Serial number of the product
- Model number
- Spare part number

When ordering spare parts marked with "Multiple colours", please state one of the following colour codes:

- 1: RAL 2002 (Logitrans red)
 - 2: RAL 1028 (yellow)
 - 3: An other RAL colour
 - 6: black
- Ex. 425050-1 => 425050-1-1

LT 1001 TE-Chassis



LT 1001 TE-Chassis

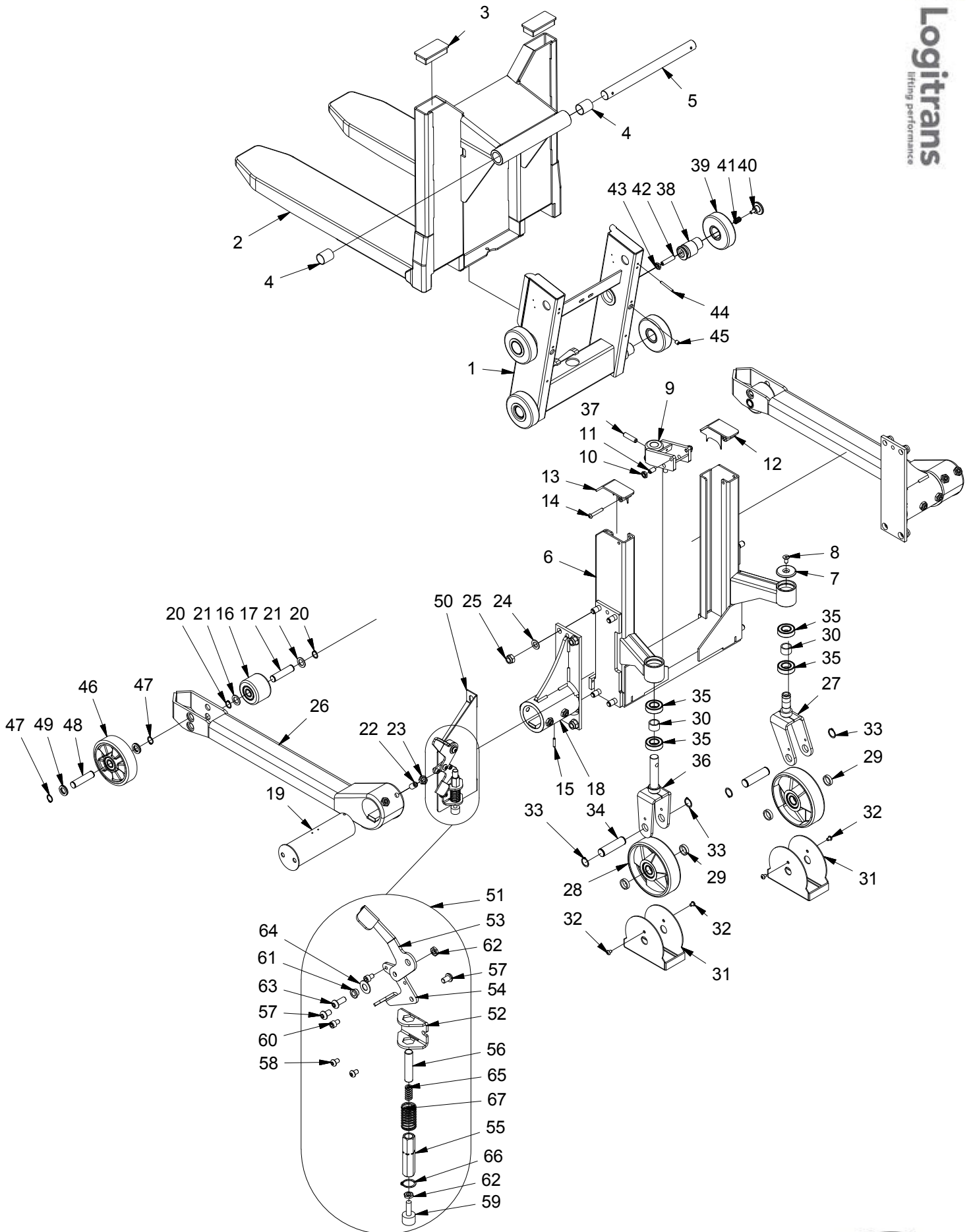
Item	Part no.	Qty	Description	Note
1	410100-5	1	Chassis 560X800	Multiple colours
2	403862L	2	Fork wheel Ø75 polyureth. w/b	
3	400159	4	Nylon Washer	
4	401932	2	Axle f/fork wheel	
5	933200	4	Locking ring	
6	410008V	1	Top Cover, Left	Multiple colours
7	919850	2	Screw	
8	410008H	1	Top Cover, Right	Multiple colours
9	410108	1	Control lever	Multiple colours
10	931250	1	Straight pin	
11	919121	2	Resilient press unit w/ball	
12	920122	2	Counter nut	
13	400624E	1	Cover washer	
14	911120	1	Screw	
15	300060L	2	Steering Wheel Poly.W/Bearings	
16	400618	4	Spacer pipe steering wheel	
17	400647	2	Spacer pipe wheel fork	
18	410107	1	Steering wheel fork	Multiple colours
19	420094	2	Foot protector cpl. Ø180	
20	401484	2	Wheel axle	
21	933250	4	Locking ring	
22	919811	4	Screw	
23	946253	4	Ball bearing	
24	400615	1	Wheel fork, revolving	Multiple colours
25	410101	1	Logitilt mast	Multiple colours
26	410106-5 410106-C	1	Tilt forks 560X800 Tilt forks 560X1150	Multiple colours
27	993150	2	Cover	
28	948344	2	Bushing	
29	410094	1	Shaft	
30	404076	2	Eccentric axle	
31	404073K	4	Mast roll Ø112 w/slide bushing	
32	420153	2	Tap for fork bracket	
33	958144	2	Spring	
34	910250	2	Pointed screw	
35	920122	2	Counter nut	
36	910012	2	Pointed screw	
37	931550	2	Straight Pin	
38	410155	1	Parking brake cpl.	
39	410154	1	U-fitting NV 22	
40	410066	1	Brake pedal	
41	410067	1	Release pedal	
42	410152	1	Spring pipe NV22	
43	410153	1	Pressure shaft	
44	919120	2	Screw	
45	919812	2	Screw	

LT 1001 TE-Chassis



Item	Part no.	Qty	Description	Note
46	401097	1	Brake pad M10x30	
47	912812	2	Screw	
48	410071	1	Bearing ring	
49	920100	2	Counter nut	
50	919021	1	Screw	
51	957143	1	Spring	
52	958140	1	Spring	
53	933242	1	Locking ring	
54	958257	1	Compression spring	

LT 1001 TES-Chassis



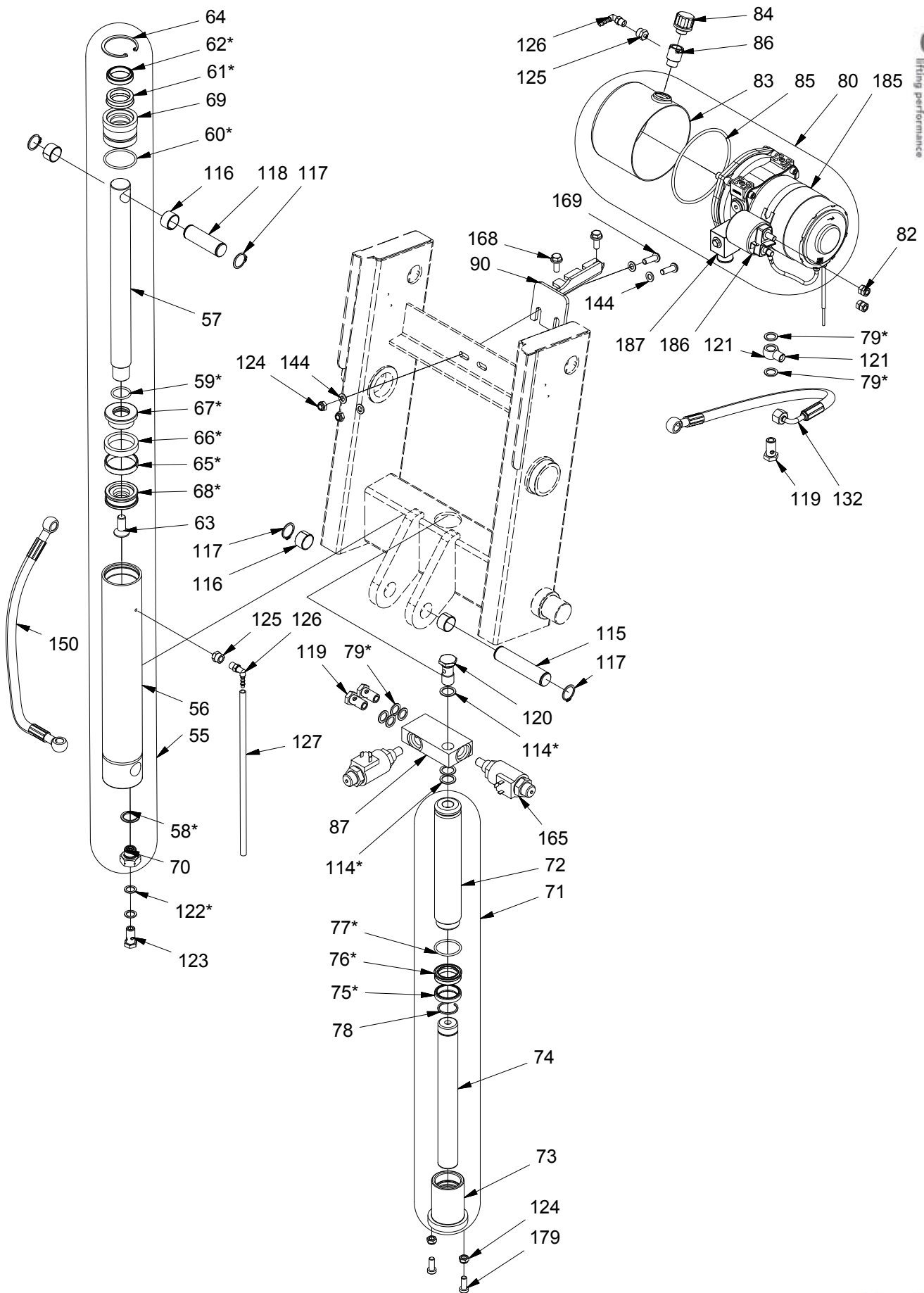
LT 1001 TES-Chassis

Item	Part no.	Qty	Description	Note
1	410101	1	Logitilt mast	Multiple colours
2	410106-5	1	Tilt forks 560X800	Multiple colours
3	993150	2	Cover	
4	948344	2	Bushing	
5	410094	1	Shaft	
6	410111	1	Chassis LT-E straddle	Multiple colours
7	400624E	1	Cover washer	
8	911120	1	Screw	
9	410108	1	Control lever	Multiple colours
10	920120	2	Counter nut	
11	919121	2	Resilient press unit w/ball	
12	410008H	1	Top Cover, Right	Multiple colours
13	410008V	1	Top Cover, Left	Multiple colours
14	919850	2	Screw	
15	932630	2	Slotted pin	
16	402504L	2	Fork wheel, poly, Ø 80x59,5L	
17	402846	2	Wheel axle f/straddle	
18	420290-1K 420291-1K	2	Carriage f/stradd. legs, short Carriage f/straddle legs, large	Multiple colours
19	420267-1 420267-2 420267-3 420267-4	2	Middle piece 850-942 Middle piece 942-1124 Middle piece 1124-1306 Middle piece 1240-1422	
20	933200	4	Locking ring	
21	400159	4	Nylon Washer	
22	910625	12	Pointed screw	
23	920160	12	Contra nut	
24	924016	8	Washer	
25	921161	8	Lock nut	
26	420292-1 420292-2	2	Straddle legs short cpl. Straddle legs medium cpl.	Multiple colours
27	400615	1	Wheel fork, revolving	Multiple colours
28	300060L	2	Steering Wheel Poly.W/Bearings	
29	400618	4	Spacer pipe steering wheel	
30	400647	2	Spacer pipe wheel fork	
31	420094	2	Foot protector cpl. Ø180	
32	919811	4	Screw	
33	933250	4	Locking ring	
34	401484	2	Wheel axle	
35	946253	4	Ball bearing	
36	410107	1	Steering wheel fork	Multiple colours
37	931250	1	Straight pin	
38	404076	2	Eccentric axle	
39	404073K	4	Mast roll Ø112 w/slide bushing	
40	420153	2	Tap for fork bracket	

LT 1001 TES-Chassis

Item	Part no.	Qty	Description	Note
41	958144	2	Spring	
42	910250	2	Pointed screw	
43	920122	2	Counter nut	
44	931550	2	Straight Pin	
45	910012	2	Pointed screw	
46	400757L	2	Steering wheel, vulk. Ø150 w/b	
47	933200	4	Locking ring	
48	402846	2	Wheel axle f/straddle	
49	400159	8	Nylon Washer	
50	403711	1	Brake plate cpl.	Multiple colours
51	410155	1	Parking brake cpl.	
52	410154	1	U-fitting NV 22	
53	410066	1	Brake pedal	
54	410067	1	Release pedal	
55	410152	1	Spring pipe NV22	
56	410153	1	Pressure shaft	
57	919120	2	Screw	
58	919812	2	Screw	
59	401097	1	Brake pad M10x30	
60	912812	2	Screw	
61	410071	1	Bearing ring	
62	920100	2	Counter nut	
63	919021	1	Screw	
64	957143	1	Spring	
65	958140	1	Spring	
66	933242	1	Locking ring	
67	958257	1	Compression spring	

LT 1001 TE/TES-Hydraulics



LT 1001 TE/TES-Hydraulics

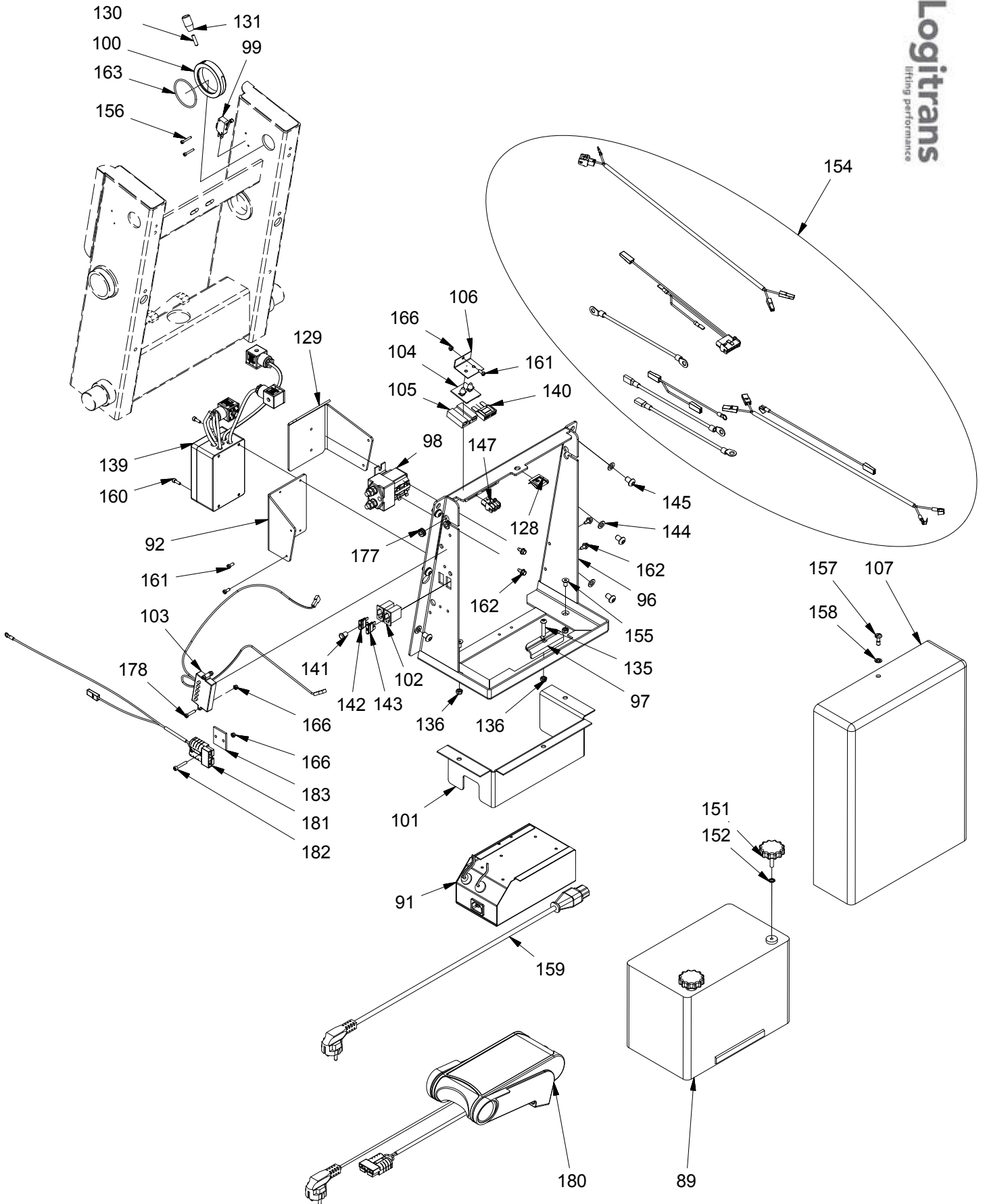
Item	Part no.	Qty	Description	Note
55	181100	1	Tilting cylinder cpl.	
56	410060E	1	Tilting cylinder housing	
57	410011	1	Piston rod	
58*	905207	1	Gasket ring	
59*	900240	1	O-ring	
60*	900440	1	O-ring	
61*	901301	1	Sleeve	
62*	908300	1	Scraper ring	
63	911231	1	Screw	
64	934520	1	Circlip	
65*	909509	1	Guide ring CN10	
66*	901380	1	U-sleeve	
67*	404539	1	Split piston part A	
68*	404540	1	Split piston part B	
69	400478E	1	Top section	
70	402350-2	1	Safety valve cpl.	
71	181200	1	Lifting cylinder cpl.	
72	410061E	1	Cylinder housing	
73	410014E	1	Top section	
74	410015	1	Piston rod	
75*	908300	1	Scraper ring	
76*	901301	1	Sleeve	
77*	900350	1	O Ring	
78	935232	1	Spring ring	
79*	905145	6	Copper washer	
80	984750	1	Hy-Pump cpl.Hpi 0.8 kW 3G	
82	922080	4	Nut	
83	984828	1	Oil tank cpl. 1.12 l.	
84	984810	1	Filler cap	
85	984704	1	O-ring f. flange/tank	
86	410157	1	Overflow flush bushing	
87	410086	1	Valve housing	
90	410166	1	Holder for motor	
114*	905180	3	Copper washer	
115	410057	1	Shaft	
116	948221	4	Bushing	
117	933220	4	Locking ring	
118	410056	1	Shaft	
119	971146	3	Banjo bolt	
120	410085	1	Banjo bolt	
121	971147	1	Banjo union	
122*	905143	2	Copper washer	
123	971132	1	Banjo bolt	
124	921080	4	Lock nut	
125	973137	2	Flush bushing	

LT 1001 TE/TES-Hydraulics



Item	Part no.	Qty	Description	Note
126	975114	2	Angular nipple	
127	970904	1	Plastic hose	
132	970918	1	Hydraulic hose 380 mm	
144	924080	10	Washer	
150	970919	1	Hydraulic hose 425 mm	
165	988004	2	Solenoid valve	
168	916820	2	Screw	
169	919825	2	Screw	
179	912820	2	Screw	
185	984845	1	Motor 12V	
186	984805	1	Starter switch 12V	
187	984802	1	Solenoid valve 12V	
	890061	1	1 L Hydraulic Oil Iso Vg 15	
	890065	1	5 L Oil Iso Vg 15	
	180052	1	Gasket Set. Cpl LTE	All parts marked * are included in cpl.

LT 1001 TE/TES-Electric parts



LT 1001 TE/TES-Electric parts



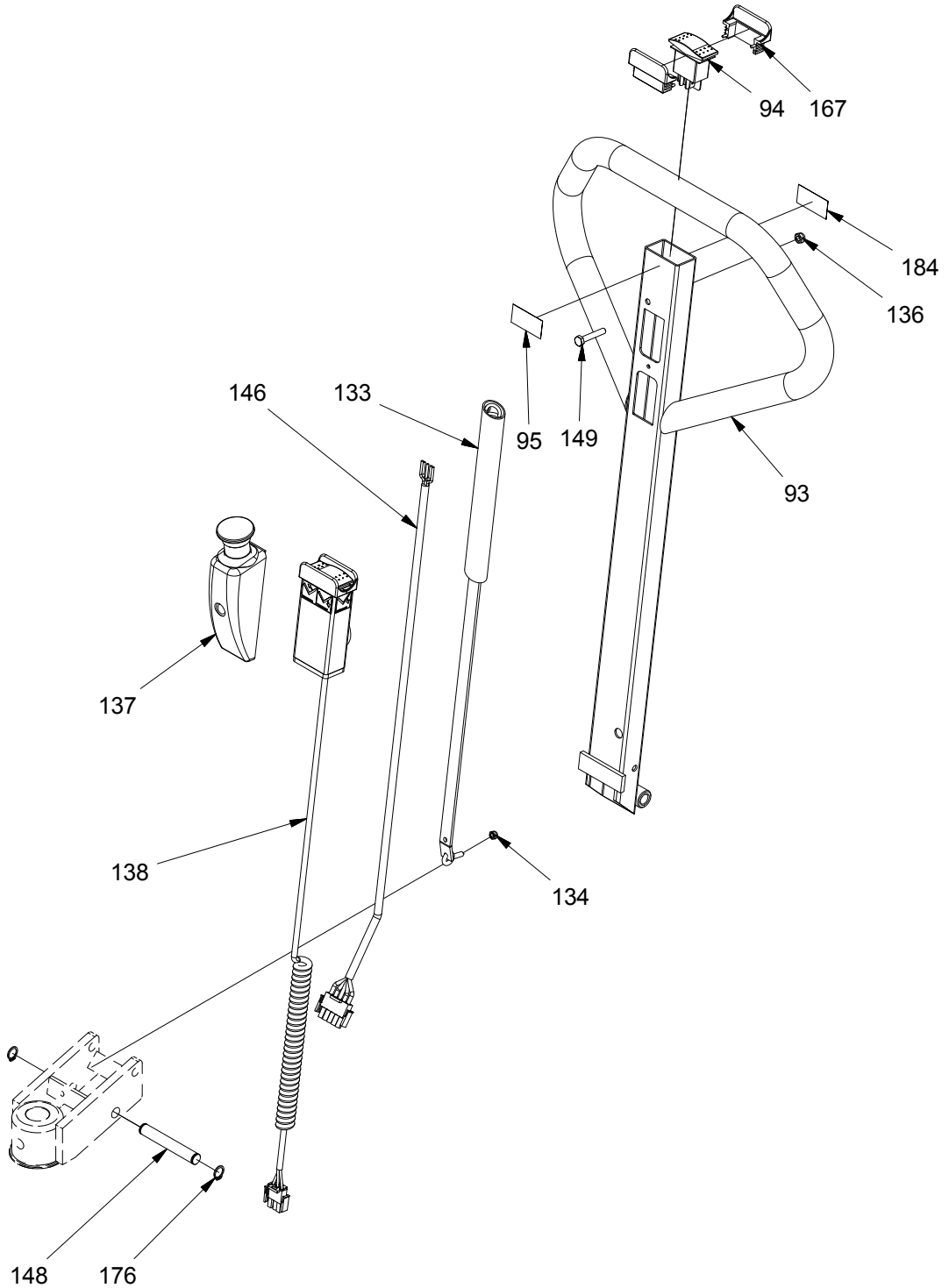
Item	Part no.	Qty	Description	Note
89	986550	1	Battery 12V 70 Ah/20h	
91	986151-1	1	Charger intern 12V8A-230V	
	986153-1	1	Charger intern 12V8A-110V	
92	410095	1	Control box plate LTE	
96	410105	1	Battery bracket	Multiple colours
97	402336	1	Battery holder	
98	982183	1	Relay, 12V	
99	982261	1	Micro switch with reel 16 Amp	
100	410168	1	Ring f/stop	
101	410169	1	Cover	Multiple colours
102	982111	2	Fuse holder	
103	986092	1	Battery monitor	
104	982112-1	1	Fitting plate	
105	982160-1	1	Mega blade fuse holder	
106	410170	1	Fitting plate	
107	410115S	1	Cover Glasfiber 3mm LTE	
128	990065	1	Clips for hinge lock	
129	410173	1	Relay plate	
130	910520	1	Pointed screw	
131	995017	1	Grip	
135	919631	1	Screw	
136	921060	4	Lock nut	
139	160181	1	Control box cpl.	
140	982129	1	Maxi Fuse 100A	
141	982255	1	LED holder f/built-in charger	
142	982124	1	Fuse 10A	
143	982126	1	Fuse 20A	
144	924080	10	Washer	
145	919812	6	Screw	
147	982003	1	Female plug	
151	986507	2	Thumb screw f/battery	
152	925060	2	Toothed washer	
154	160205	1	Set of cables, cpl.	
155	911612	2	Screw	
156	912320	2	Ch Screw	
157	990063	1	Hinge lock	
158	990064	1	Washer f/hinge lock	
159	986125	1	Charger cable	
	986126	1	Charger cable w/US plug	
160	917412	2	Screw	
161	913410	3	Screw	
162	916510	4	Screw	
163	900502	1	O-ring	
166	921040	5	Lock nut	
177	530022	2	Cable lead-in	
178	913420	2	Screw	

LT 1001 TE/TES-Electric parts



Item	Part no.	Qty	Description	Note
180	986150	1	Charger extern 12V 8A 230V	
	986152	1	Charger extern 12V 8A 110V	
181	180000-1	1	Charger cable	
182	912425	2	Screw	
183	405239	1	Spacer block for charging plug	

LT 1001 TE/TES-Handle



LT 1001 TE/TES-Handle

Item	Part no.	Qty	Description	Note
93	410165	1	Handle	
94	982075	1	Tilting switch	
95	991017	1	Sticker for up/down	
133	410174	1	Spring pull rod cpl.	
134	921050	1	Lock nut	
136	921060	4	Lock nut	
137	420191KR	1	Emergency stop cpl.	
138	160084	1	Remote control cpl. LTE	
146	150001R-LT	1	Handle cable	
148	400695	1	Pin	
149	915635	1	Steel bolt	
167	402356R	1	Contact holder, set	
176	933120	2	Circlip	
184	991018	1	Sticker for down/up	